

4

3

2

1

D

D

C

C

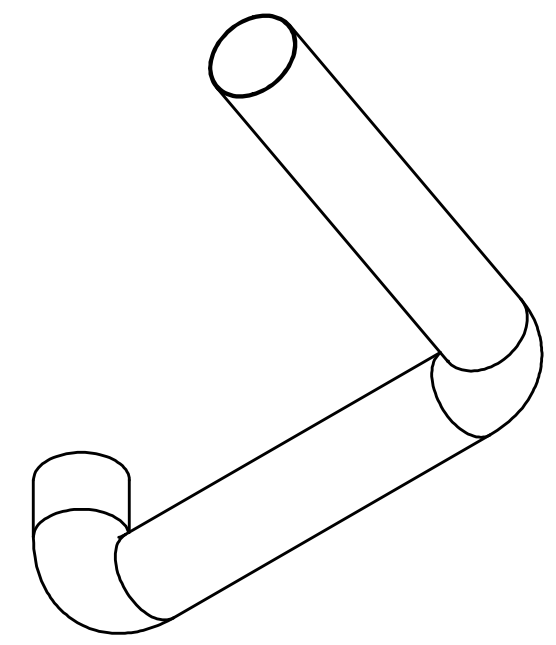
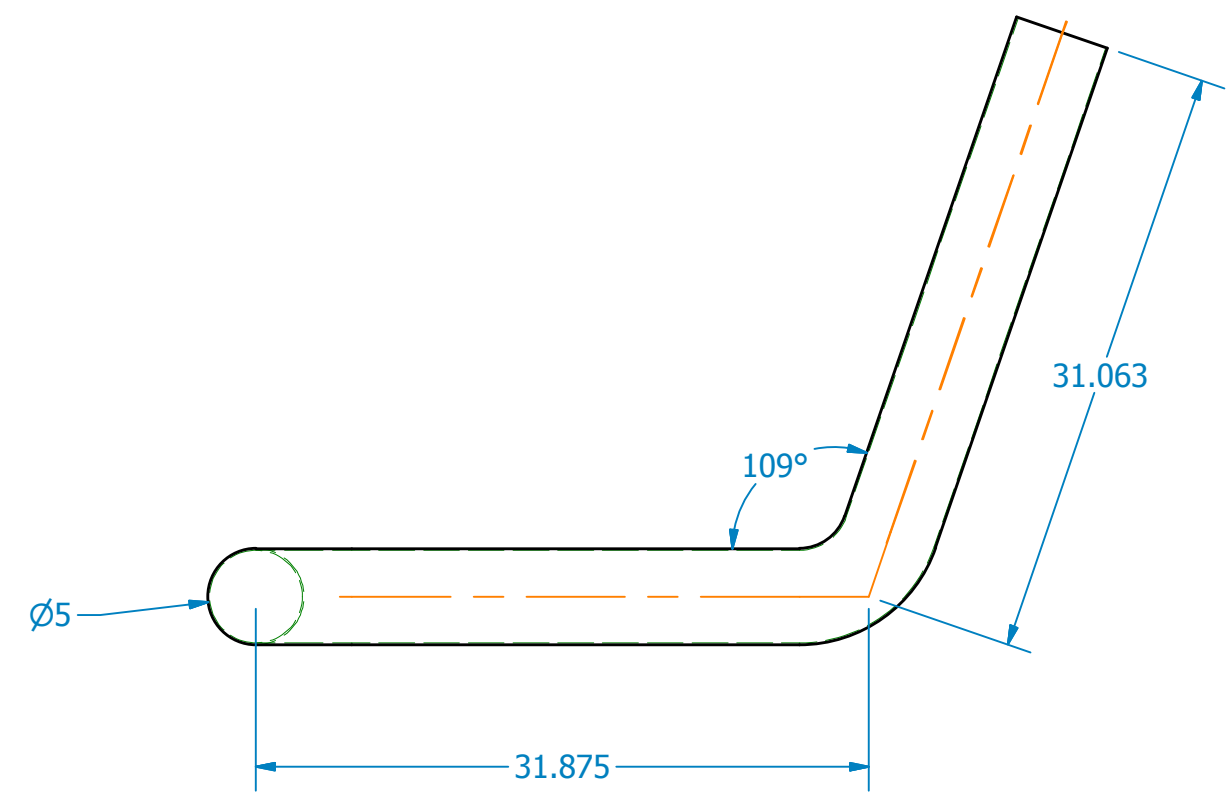
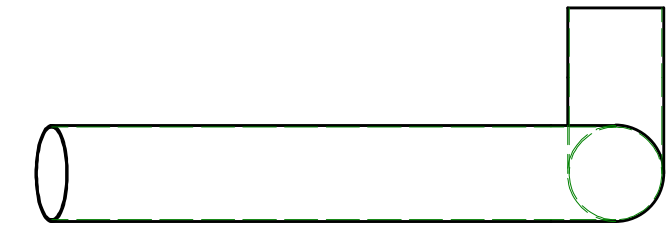
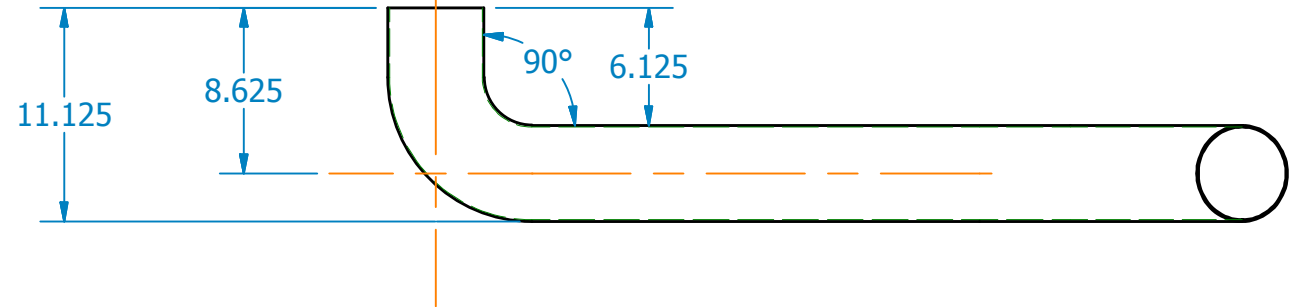
B

B

A

A

DRAWING NO.
Repower exhaust



NOT
RELEASED

KINZE		3RD ANGLE PROJECTION	DFTR ENGR	BDM DESIGNER	COPYING OR REPRODUCTION OF ANY PORTION OF THIS DRAWING WITHOUT PERMISSION IS PROHIBITED. USE OF THIS DRAWING FOR THE FABRICATION OF PARTS OR MACHINES, EXCEPT ON ORDER OF KINZE MANUFACTURING, INC. IS PROHIBITED. DRAWING UNCONTROLLED IF PRINTED.
FEATURES & DIMENSIONS NOT SPECIFIED HEREIN ARE CONTROLLED IN THE CURRENT ISSUE OF "KINZE FABRICATION STANDARD Z0244" & THE SOURCE CAD MODEL FILES.		ALL DIMENSIONS ARE IN INCHES		WEIGHT (0 LBS)	
MATERIAL		FINISH		INTERPRET DRAWING, DIMENSIONS, AND TOLERANCES PER ASME Y14.5M DO NOT SCALE PRINT	
DESCRIPTION		STEEL MILD HR			
CAD	INVENTOR	SHT SIZE	DRAWING NO.	REV	
DWG DATE		SHT OF	B Repower exhaust	1	
10/6/2017					