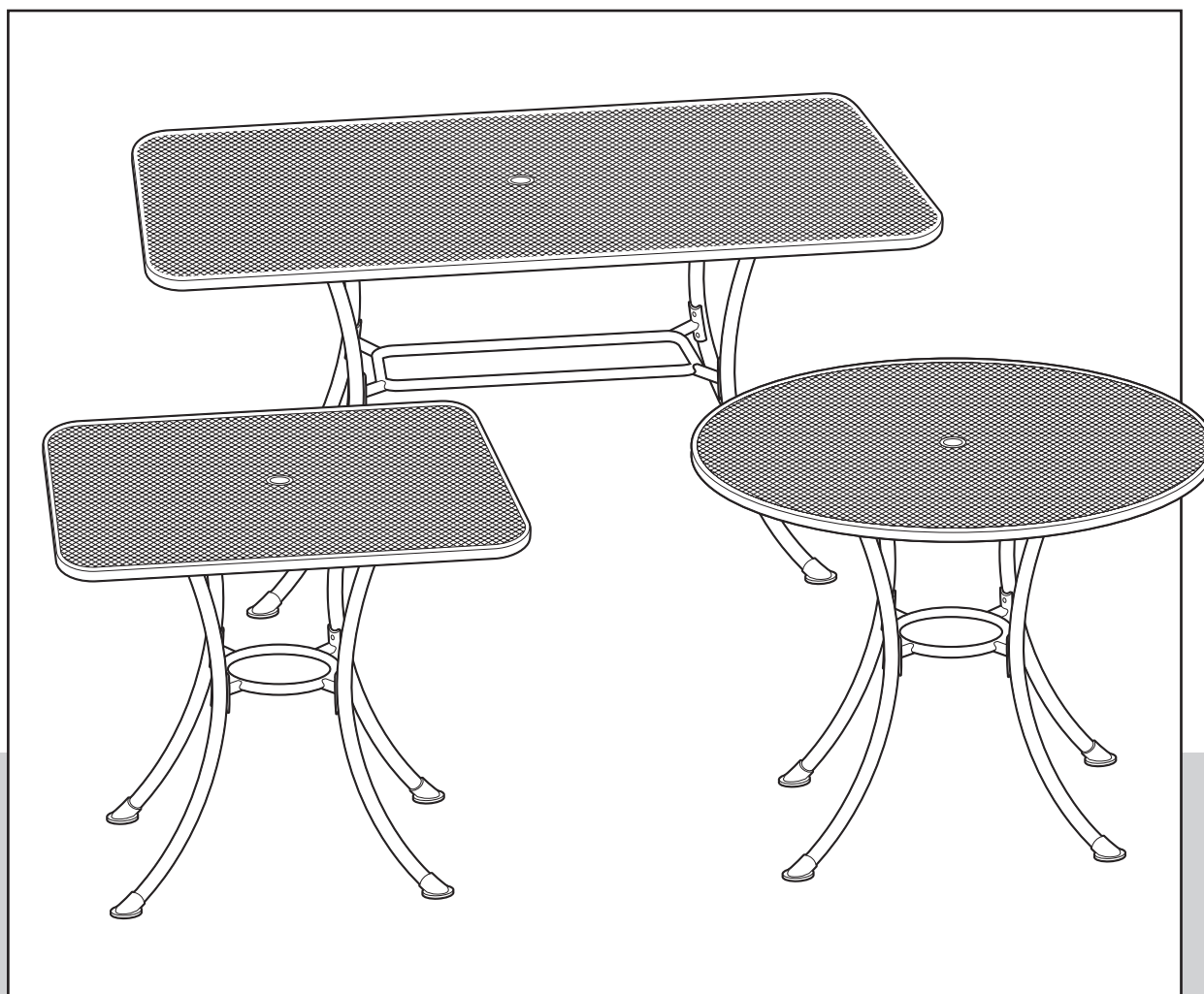


KETTLER[®]

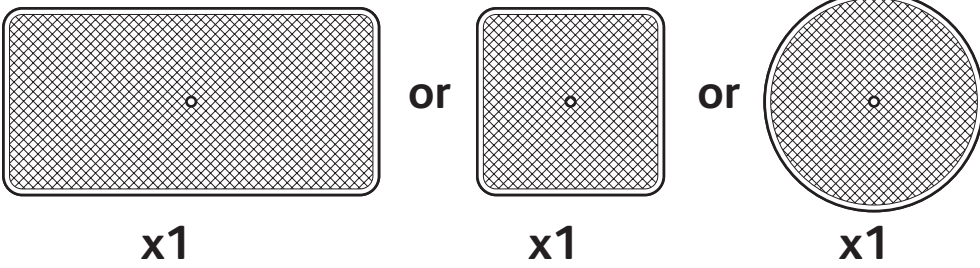

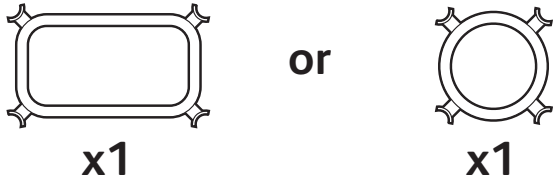
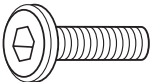


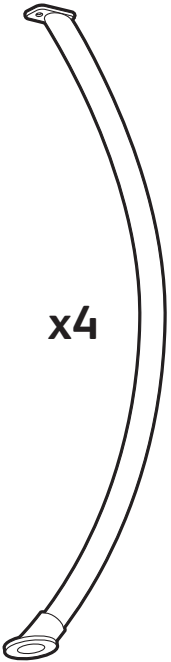

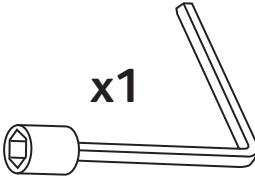
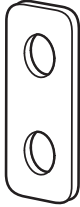
Mesh Top Tables



For the following products:

- | | |
|-------------|-------------|
| T0445-0200S | T0422-0200S |
| T0450-0200S | T0425-0200S |
| T0410-0200S | T0470-0200S |
| T0449-0200S | T0485-0200S |
| T0416-0200S | |

Parts List

<p>(A) Table Top - You will have x1 of the following:</p> 			 <p>Do not discard any of the packaging until you have checked that you have all the parts and the pack of fixings.</p>
<p>(B) Leg Connecting Frame - You will have x1 of the following:</p> 			
<p>(C) Screws M6x20</p>  <p>x8</p>	<p>(D) Washers</p>  <p>x12</p>	<p>(E) M6 Nuts</p>  <p>x4</p>	<p>(I) Table Legs</p>  <p>x4</p>
<p>(F) Hex Plastic Caps</p>  <p>x4</p>	<p>(G) Hex Socket Allen Key</p>  <p>x1</p>	<p>(H) Plastic Washer</p>  <p>x4</p>	

Helpful advise before you begin:

1. We suggest you spend a short time reading through this leaflet and then follow the simple step by step instructions.
2. If you follow the instructions carefully the end result should be worth the effort.
3. Do not discard any of the packaging until you have checked that you have all the parts and the pack of fittings.
4. Assemble this product on a soft surface.
5. To ensure an easier assembly, we strongly advise that all fittings are only finger tightened during initial assembly. Only upon completion of the assembly should all fixing points be fully tightened.
6. Keep fittings out of children's reach.
7. Do not use any other tools other than those recommended to build this product.
8. Please do not use substitute parts. Use only additional or replacement parts supplied by Kettler.
9. In the unlikely event that this product has missing or damaged parts, please call 866-804-0440 to obtain spares.

Assembly Instructions

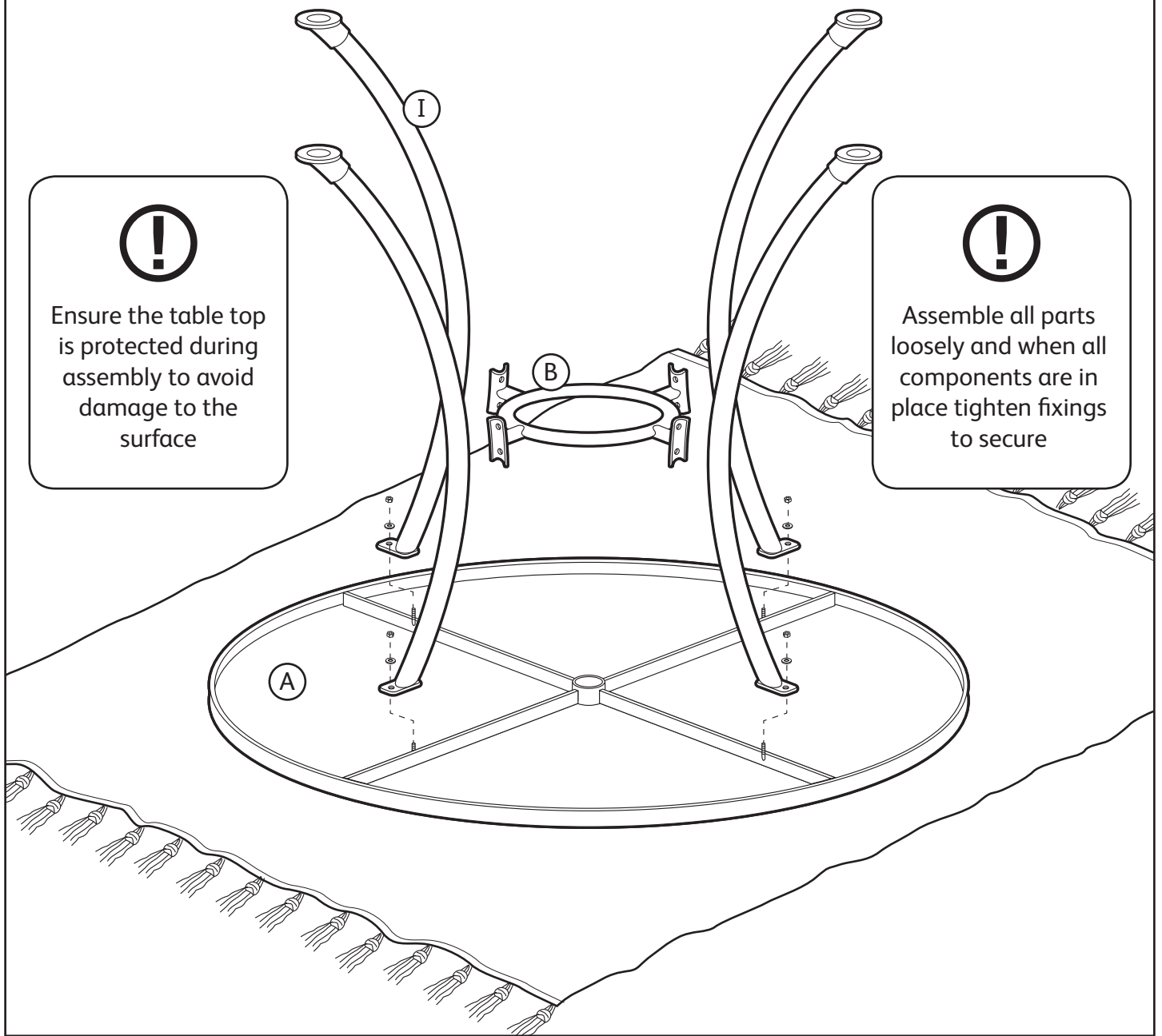
Overview



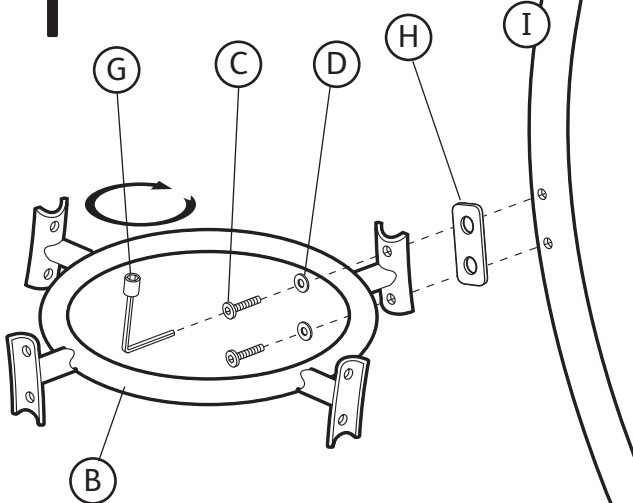
Ensure the table top is protected during assembly to avoid damage to the surface



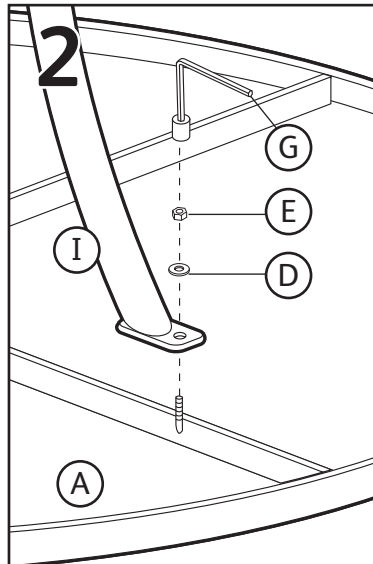
Assemble all parts loosely and when all components are in place tighten fixings to secure



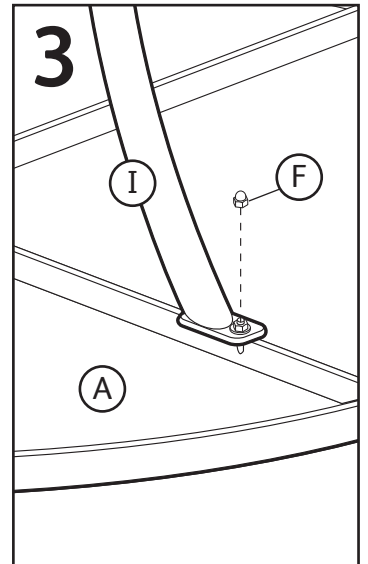
1



2



3



For your safety

- This product may only be used for its intended purpose as outdoor furniture for residential spaces.
- Check all components regularly for correct functioning, damages and loosened connections especially at the beginning of the season.
- Damaged components may endanger your safety or shorten the life of the product. Replace all damaged parts immediately. Use only spare parts manufactured by Kettler.
- Incorrect repairs or alterations to the product (e.g. removal of original Kettler parts and their replacement with non-Kettler parts) may endanger the user's safety. Should you wish to purchase spare parts, please contact Kettler at **866-804-0440**
- The manufacturer is not liable for damage to the product caused by improper use.

⚠ Attention

- While assembling this product keep out of the reach of children. (Choking hazard – contains small parts)
- Ensure that your working area is free of possible sources of danger, for example don't leave any tools lying around.
- Always dispose of packaging material in such a way that it may not cause any danger. There is always a risk of suffocation if children play with plastic bags!
- We reserve the right to make changes for technical reasons.

Please keep these assembly instructions for any spare parts orders

KETTLER[®]

KETTLER[®] International Inc.
1355 London Bridge Road
Virginia Beach, VA 23453 USA
www.kettlerusa.com

For Parts and Service, please contact us directly at 866-804-0440
or email parts@kettlerusa.com

2016 KETTLER[®]. All rights reserved. Made in Taiwan

We reserve the right to make changes or discontinue any items with or without prior notice.