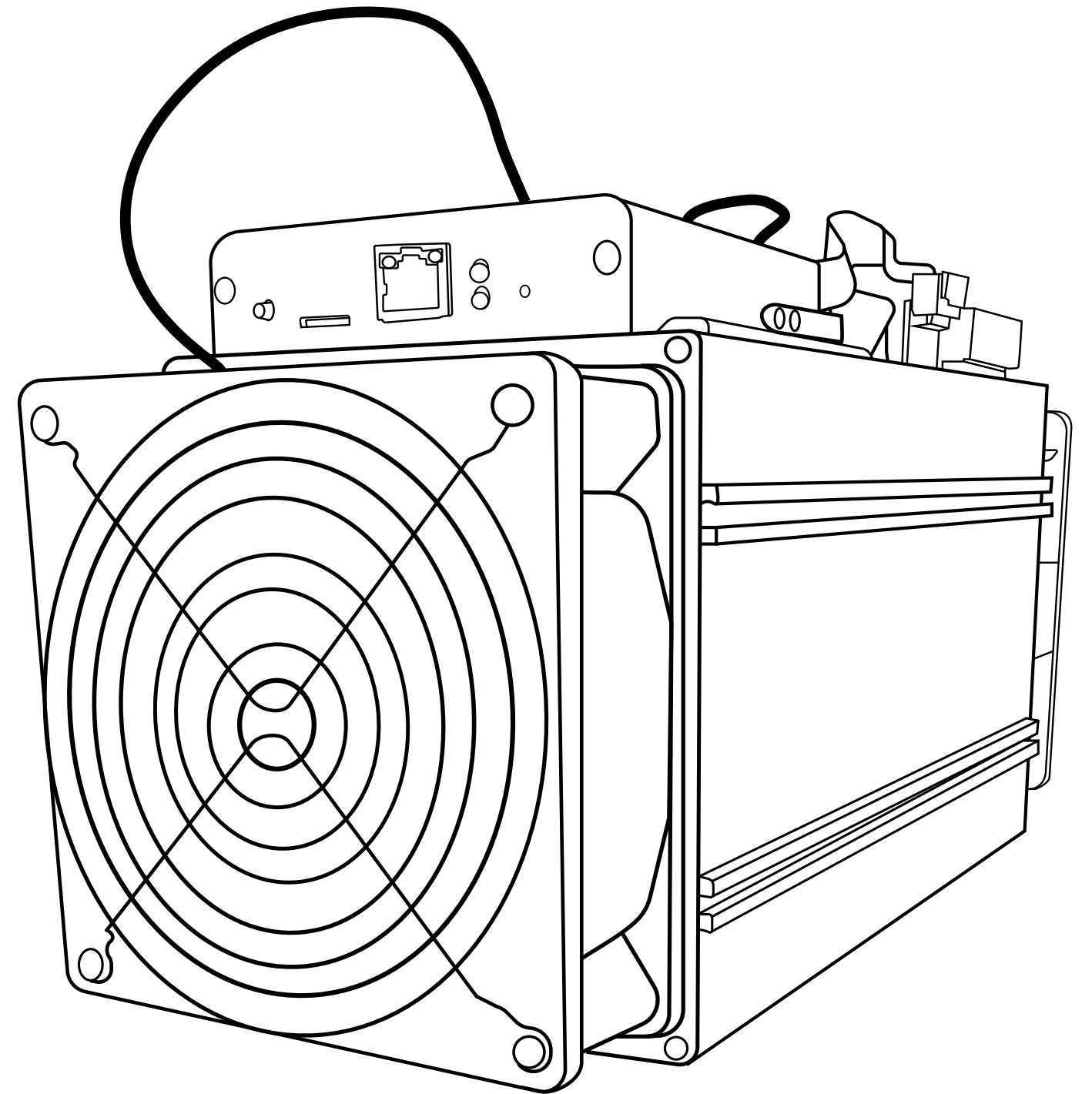




Kala Rig Specifications

Specification/Model: **Bitmain Antminer V9 (4TH)**

Manufacturer	Bitmain
Model	Antminer V9 (4Th)
Release	March 2018
Size	123 x 155 x 301mm
Weight	3050g
Chip name	BM1580
Chip count	135
Noise level	76dB
Fan(s)	2- 12038 fans
Power	1027W
Voltage	11.60 ~ 13.00V
Hash Rate	4.0 TH/s ±5%
Interface	Ethernet
Bandwidth required	2 Mb per hour
Temperature	0 - 40°C
Humidity	5 - 95%



Coins that it can Mine	Equipment Preconfigured to Mine
Kala (KALA)	Yes
Bitcoin (BTC)	No
BitcoinCash (BCH)	No
Acoin (ACOIN)	No