

# Premier Plus

Premier Plus frames are precision mitered from a premium aluminum alloy in four different styles – 1/2" beveled, radius, boxed, and 1/4" boxed. Each style is available in POLISHED SILVER, POLISHED YELLOW GOLD, POLISHED ROSE GOLD, SATIN SILVER, MATTE BLACK, SATIN YELLOW GOLD, SATIN ROSE GOLD, ARCH BRONZE, AND JRS BRONZE.



Acrylic lenses are laser cut and snap into frames over paper graphics.

1/2" beveled, radiuses, boxed and 1/4" boxed are precision mitered from premium aluminum alloy.



# Premier Plus

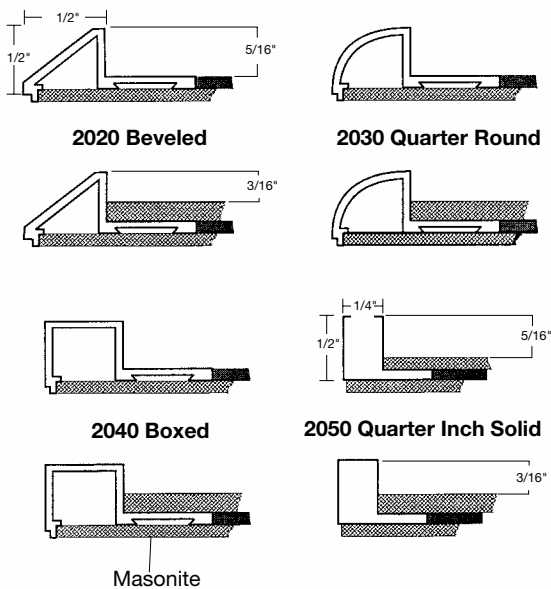
Precision mitered from an extrusion of premium alloy in four professional styles: Beveled, Quarter Round, Boxed, and Quarter Inch Solid, this sign system is a top of the line favorite.

- Nine rich anodized colors are available in all four styles: Polished Silver, Satin Silver, Polished Yellow Gold, Satin Yellow Gold, Polished Rose Gold, Satin Rose Gold, Arch Bronze, JRS Bronze and Matte Black.
- Seven powder coat finishes are available: Medium Gray, Pewter (light gray), Black, White, Almond, Brown, and Arch Brown.
- Each frame style is available with either a 3/16" or 5/16" inside depth. Inside depth must be specified when ordering.
- Frames are designed for mounting with double-sided tape or silicone adhesives. Holes will be provided only upon request.
- All frames are available with optional matte black metal inside, suitable for changeable magnetic signs for an additional cost.
- Lenses are laser cut from semi-flexible .060 or .080 non glare acrylic and are designed with tabs that snap securely into frames. Not available with powder coat finishes.
- Lenses can easily be removed by using a suction cup placed in the center of the frame. Maximum lens size is 200 sq. inches.
- Minimum size 2" x 4", Maximum size 36" x 36".

Premier Plus
Frames 2020, 2030, 2040, 2050
Dividers - 1/8" (standard)
Dividers - 1/4" (standard 2050)
Metal Inside
Black Plastic Inside
Black Plastic Outside
Minimum Frame Cost

Holes will be provided upon request.

**SEE PAGE 141 FOR ORDERING LENSES.**



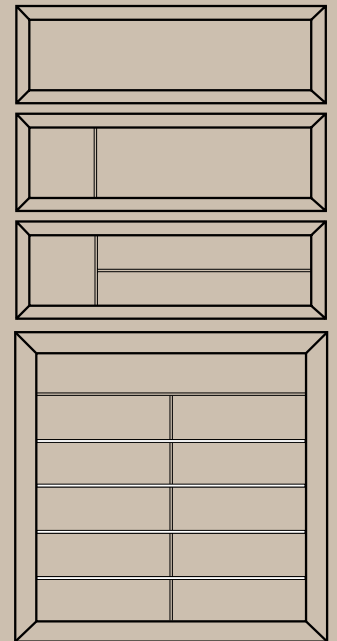
Please specify part number, inside dimension, inside depth, and color. Prices are for frames up to 99 perimeter inches. Call for special quote on frames of 100 perimeter inches or greater. Frames may be subject to crating charges.

All frames can be combined for quantity discounts.

**QUANTITY DISCOUNTS:**

25 pcs.	5%
100 pcs.	10%
500 pcs.	20%
1000 pcs.	30%

## Premier Plus Divider Frames



Premier Plus Frames are available with custom 1/8" or 1/4" dividers, in vertical or horizontal positions. Divider frames should be ordered by giving the inside dimension of each section and the overall inside dimension of the frame.

Divider frames are priced by adding the linear-inch of dividers, multiplying by per inch price, and adding the total to the perimeter price of each frame.

