

Architectural Aluminum Frames



Specialty requirements for room identification and control are accomplished with these unique frames. They feature built-in changeable messages, magnetic changeable signs and frames with dividers. Frames are fabricated from continuous anodized aluminum extrusion in nine standard colors:

POLISHED SILVER, POLISHED YELLOW GOLD, POLISHED ROSE GOLD, SATIN SILVER, MATTE BLACK, JRS BRONZE, SATIN ROSE GOLD, SATIN YELLOW GOLD, AND ARCH BRONZE.



Architectural Aluminum Frames

Architectural Aluminum Frames are custom fabricated to your specifications based on the inside dimension of the frame. Custom Wall Frames, Frames with Dividers, Desk Frames, Counter Frames, Corridor and Ceiling Frames are all available with:

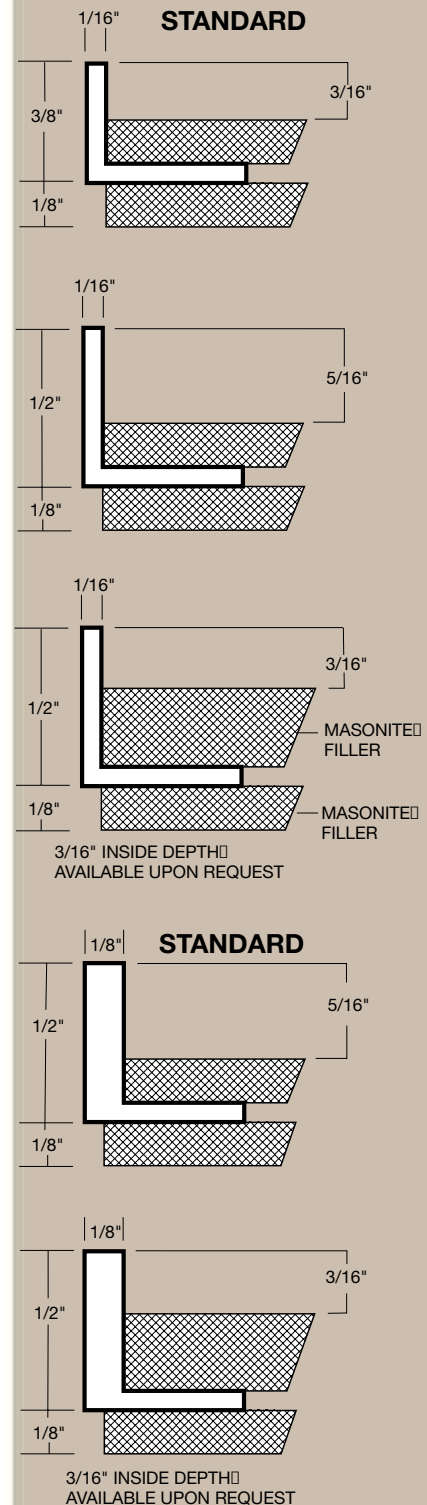
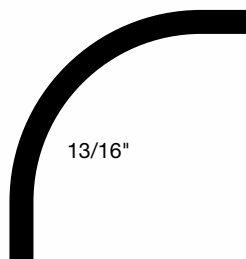
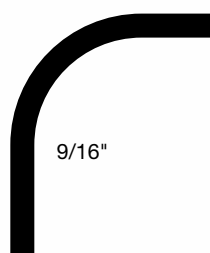
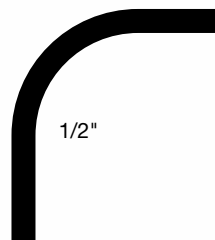
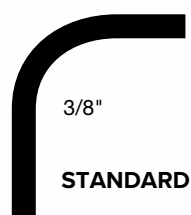
- Nine anodized finishes: Polished Rose Gold, Polished Yellow Gold, Polished Silver, Arch Bronze, JRS Bronze, Matte Black, Satin Rose Gold, Satin Yellow Gold, and Satin Silver
- Seven handsome powder coat finishes: Medium Gray, Pewter (light gray), Black, White, Almond, Brown, and Arch Brown.
- Available with a Matte Black inside metal surface for changeable magnetic signs for an additional charge.
- **1/16" Wall Thickness** – Part number 240 square corner and 340 round corner frames are available with either a 3/8" or 1/2" outside depth plus a 1/8" backer plate. If no outside depth is specified, we will make the frames using the 3/8" outside depth. Frames without backer plates are available by request.

The inside depth (distance from surface of frame to inside masonite) is 3/16" for 3/8" frame and 5/16" for the 1/2" frame. 3/16" depth is available by request for the 1/2" frame. Please refer to the illustrations on this page for further details.

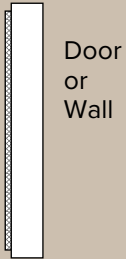
- **1/8" Wall Thickness** - Part number 540 square corner and 640 round corner frames are available with a 1/2" outside depth plus a 1/8" backer plate. Frames without backer plates are available by request.

The inside depth (distance from surface of frame to inside masonite) is 5/16". 3/16" depth is available by request. Please refer to the illustrations on this page for further details. Other custom depths are available by special quotation.

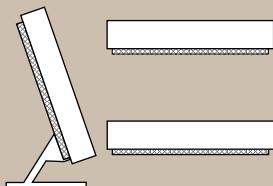
- Four radius corners – Inside dimensions 3/8", 1/2", 9/16", and 13/16". Unless otherwise specified we will make all radius frames with a 3/8" corner. Please specify if you want any other of our standard radius corners. Please call for pricing and availability on special radii.



Architectural Aluminum Frames



Door
or
Wall



Desk

Architectural sign frames are custom fabricated from continuous aluminum extrusion from 1/16" or 1/8" wall thickness to your custom size requirements.

- Frames are available in nine anodized finishes: Polished Rose Gold, Polished Yellow Gold, Polished Silver, Arch Bronze, JRS Bronze, Matte Black, Satin Silver, Satin Rose Gold, and Satin Yellow Gold.
- Seven Powder Coat colors: Medium Gray, Pewter (light gray), Black, White, Almond, Brown, and Arch Brown. Powder Coat finish frames must have backs.
- Please specify part number, inside dimension, outside depth, inside depth, and color.
- Please refer to page 121 for detailed size information.
- All frames are available with optional matte black metal inside suitable for changeable magnetic signs. Black plastic is also available inside and outside instead of masonite (upcharge applies).
- Prices are for frames up to 99 perimeter inches. Please call for quote on larger frames.
- Holes available upon request.
- Net price is calculated by multiplying the perimeter inch price by the perimeter inches of the frame.
 Example: A 340 2" x 8" = 2 + 8 + 2 + 8 = 20 perimeter inches.
 20 perimeter inches x Cost per inch = Net Price
 Add the length of all internal dividers to perimeter inches.
- Lead time may vary for special colors on desk, counter, corridor and ceiling.

Part No.	Wall Thickness	Corner ID	Frame Depth
----------	----------------	-----------	-------------

DOOR OR WALL

340	1/16"	Round (3/8", 1/2", 9/16", 13/16")	3/8" or 1/2"
240	1/16"	Square	3/8" or 1/2"
640	1/8"	Round (3/8", 1/2", 9/16", 13/16")	1/2"
540	1/8"	Square	1/2"

DESK

311	1/16"	Round (3/8", 1/2", 9/16", 13/16")	3/8" or 1/2"
211	1/16"	Square	3/8" or 1/2"
611	1/8"	Round (3/8", 1/2", 9/16", 13/16")	1/2"
511	1/8"	Square	1/2"

Maximum sign height 4".

Please specify part number, inside dimension, inside depth, and color. Please request quote for larger frames.

All frames can be combined for quantity discounts.

Metal Inside
Black Plastic Inside
Black Plastic Outside

Architectural Aluminum Frames

Part No.	Wall Thickness	Corner ID	Frame Depth
COUNTER			
321 Single	1/16"	Round (3/8" , 1/2", 9/16", 13/16")	3/8" or 1/2"
322 Double	1/16"	Round (3/8" , 1/2", 9/16", 13/16")	3/8" or 1/2"
221 Single	1/16"	Square	3/8" or 1/2"
222 Double	1/16"	Square	3/8" or 1/2"
621 Single	1/8"	Round (3/8" , 1/2", 9/16", 13/16")	1/2"
622 Double	1/8"	Round (3/8" , 1/2", 9/16", 13/16")	1/2"
521 Single	1/8"	Square	1/2"
522 Double	1/8"	Square	1/2"

Maximum sign height 10".

CORRIDOR			
361 Single	1/16"	Round (3/8" , 1/2", 9/16", 13/16")	3/8" or 1/2"
362 Double	1/16"	Round (3/8" , 1/2", 9/16", 13/16")	3/8" or 1/2"
261 Single	1/16"	Square	3/8" or 1/2"
262 Double	1/16"	Square	3/8" or 1/2"
661 Single	1/8"	Round (3/8" , 1/2", 9/16", 13/16")	1/2"
662 Double	1/8"	Round (3/8" , 1/2", 9/16", 13/16")	1/2"
561 Single	1/8"	Square	1/2"
562 Double	1/8"	Square	1/2"

Minimum height 2". Maximum width 12". (Wider frames require roll pins and quote)

CEILING			
371 Single	1/16"	Round (3/8" , 1/2", 9/16", 13/16")	3/8" or 1/2"
372 Double	1/16"	Round (3/8" , 1/2", 9/16", 13/16")	3/8" or 1/2"
271 Single	1/16"	Square	3/8" or 1/2"
272 Double	1/16"	Square	3/8" or 1/2"
671 Single	1/8"	Round (3/8" , 1/2", 9/16", 13/16")	1/2"
672 Double	1/8"	Round (3/8" , 1/2", 9/16", 13/16")	1/2"
571 Single	1/8"	Square	1/2"
572 Double	1/8"	Square	1/2"

Please specify part number, inside dimension, inside depth, and color.

Please request quote for larger frames.

All frames can be combined for quantity discounts.

Maximum sizes vary. Roll pins may be used at an extra charge.

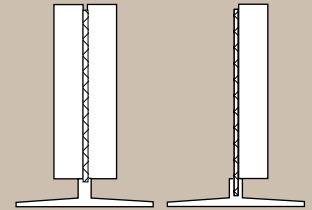
QUANTITY DISCOUNTS:

25 pcs.	5%
100 pcs.	10%
500 pcs.	20%
1000 pcs.	30%

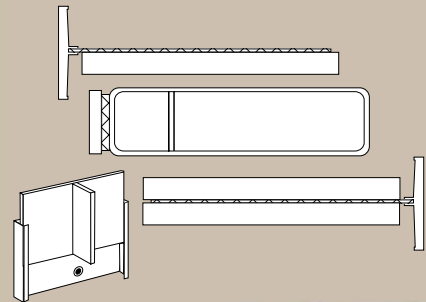
HELPFUL ORDERING INSTRUCTIONS: Please watch for the **BOLD** numbers as those represent our default specifications. All frames will be made according to these standards, unless otherwise specified when ordering. Please call special attention to any deviations from our default specification. **ALWAYS SPECIFY INSIDE DIMENSIONS.**



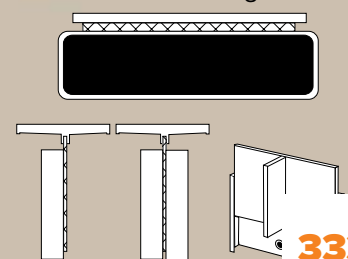
Counter



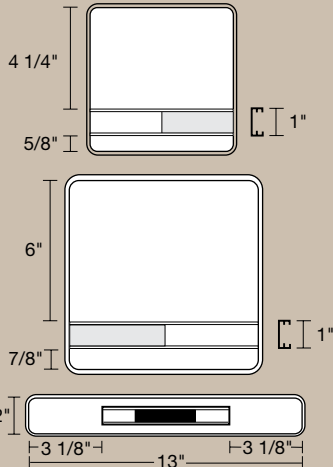
Corridor



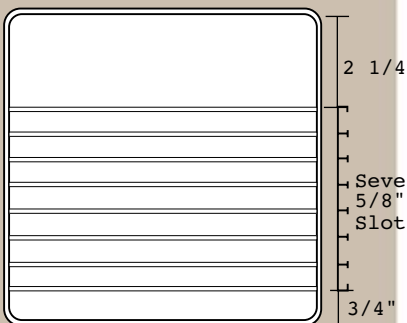
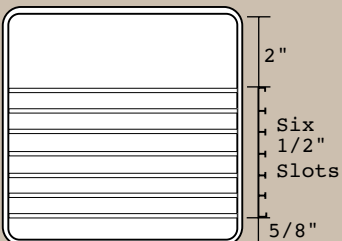
Ceiling



Architectural Aluminum Frames



Mini-Directories



QUANTITY DISCOUNTS:

25 pcs.	5%
100 pcs.	10%
500 pcs.	20%
1000 pcs.	30%

Changeable Message Frames

Special requirements for room control and identification are accomplished with these unique frames of anodized aluminum.

- Both 1/16" wall and 1/8" wall frames have 1/2" outside depth plus 1/8" backer and 3/16" inside depth.
- Frames sizes are all **inside dimensions**.
- Nine standard colors: Polished Yellow Gold, Polished Silver, Matte Black, Satin Silver, Arch Bronze, JRS Bronze, Polished Rose Gold, Satin Rose Gold and Satin Yellow Gold.
- All frames on this page are available in custom sizes. Please request quote.
- 6" x 6" frame containing a 1" x 6" extrusion for a 1/16" message plate and a secondary 1/16" slot for a 1" x 3" sliding plate to uncover alternating messages.
- 8" x 8" frame containing a 1" x 8" extrusion for a 1/16" message plate and a secondary 1/16" slot for a 1" x 4" sliding plate to uncover alternating messages.
- 2" x 13" Slider Frame is designed for 2" x 10" message plates to slide left or right to expose message at opposite end.

Wall Thickness	3/8" Inside Radius Corner	Net Price	Square Corner
----------------	---------------------------	-----------	---------------

CHANGEABLE MESSAGE FRAMES

6" x 6"			
1/16" wall	341-66	12.13	241-66
1/8" wall	641-66	13.55	541-66
8" x 8"			
1/16" wall	341-88	16.08	241-88
1/8" wall	641-88	18.17	541-88
2" x 13"			
1/16" wall	344-23	15.33	244-23
1/8" wall	644-23	17.00	544-23

MINI-DIRECTORIES

6" x 6"			
1/16" wall	342-66	18.90	242-66
1/8" wall	642-66	20.25	542-66
8" x 8"			
1/16" wall	343-88	23.90	243-88
1/8" wall	643-88	25.74	543-88

All frames are available with dividers in either horizontal, vertical, or both horizontal and vertical positions. These frames must have a backer plate.

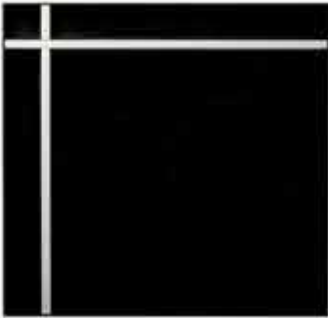
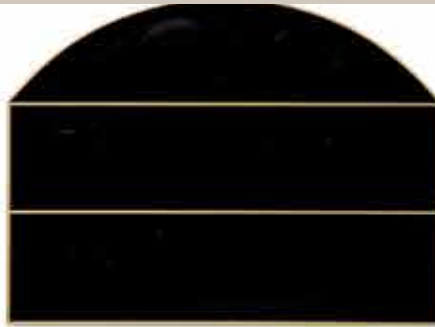
To price frames, simply add the total of the perimeter inches to the total of the dividers and multiply that total by the cost per inch of the particular frame type ordered. Divider frames should be ordered by giving the inside dimension of each section. Overall frame size is increased by the thickness of each divider within the frame.

- 6" x 6" Mini-Directory features a one piece magnetic backed extrusion with six 1/2" x 6" slots for easy plate changes.
- 8" x 8" Mini-Directory features a one piece magnetic backed extrusion with seven 5/8" x 8" slots for easy plate changes.

Custom lengths are available.

All frames can be combined for quantity discounts.

Architectural Aluminum Frames



Custom Shaped Frames

Circles, Triangles, Ovals, Half Round Directories and more are available in our 300 (1/16" wall) or 600 (1/8" wall) Aluminum Extrusion Frames. Frames with custom shapes with or without dividers are fabricated to your specifications in all of our standard anodized and powder coat finishes.

Please specify part number, inside dimension, inside depth, and color.

Please request quote for larger frames.

All frames can be combined for quantity discounts.

Please send drawings with size specifications, finish and quantity for quotation.

QUANTITY DISCOUNTS:

25 pcs.	5%
100 pcs.	10%
500 pcs.	20%
1000 pcs.	30%

Heavy Architectural Signage



This line of frames is fabricated from a heavy 1/8" thick wall and 1 3/4" or 1 1/4" wide extrusions. They can be used either as a double or single sided frame for counters and desks. All frames are custom fabricated to your specifications. Sharp clean square corners are fabricated from continuous extrusion.

- Frames are available in nine anodized finishes: Polished Rose Gold, Polished Yellow Gold, Polished Silver, Arch Bronze, JRS Bronze, Matte Black, Satin Silver, Satin Rose Gold and Satin Yellow Gold.

- Not available in Powder Coat finishes.
- All frames are available with optional Matte Black metal inside suitable for changeable magnetic signs (upcharge applies).
- Net price is calculated by multiplying the perimeter inch price by the perimeter inches of the frame.

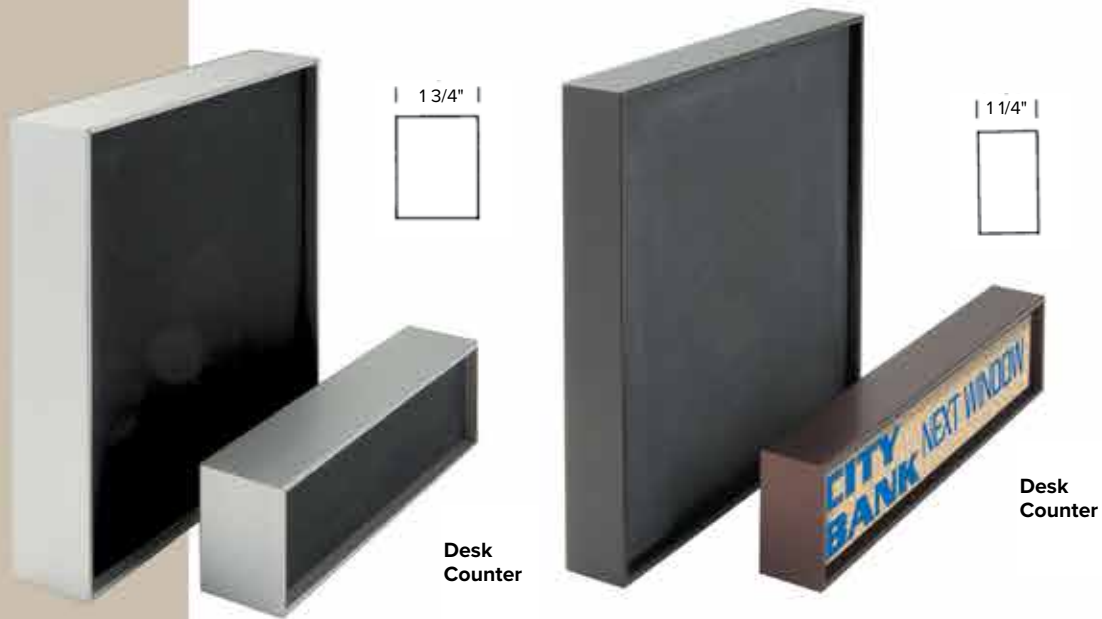
Example: a 932D frame:

$$2" \times 8" = 2 + 8 + 2 + 8 = 20 \text{ perimeter inches.}$$

$$20 \text{ perimeter inches} \times \text{price per inch} = \text{Net Cost}$$

- Approximate max 70 perimeter inches. Approximate minimum 2".

Thickness	Part No.	Inside Depth
1 3/4" Wide	932D Double Sided	5/16"
1 3/4" Wide	932S Single Sided	5/16"
1 1/4" Wide	942D Double Sided	5/16"
1 1/4" Wide	942S Single Sided	5/16"



Please specify part number, **inside dimension**, inside depth, and color.

Please request quote for larger frames.

All frames can be combined for quantity discounts.

QUANTITY DISCOUNTS:

25 pcs.	5%
100 pcs.	10%
500 pcs.	20%
1000 pcs.	30%

Architectural Sign Bases and Frame Supplies

Sign Bases

Architectural sign holders, designed in contemporary styles, come in a variety of shapes and sizes. Holders are highly polished and anodized in Polished Rose Gold or Polished Silver, enhancing any decor. Styles and sizes are indicated by part number and length. Custom lengths and three custom colors, Matte Black, Satin Silver, and Polished Yellow Gold are available by special order at no extra cost. Arch Bronze, JRS Bronze, Satin Yellow Gold, and Satin Rose Gold are also available upon request for a 25% up charge and up to a 5 week delivery. **Mounting Plate for Corridor and Ceiling Brackets conceal mounting screws.**

Part No.	Insert Size		Max. Sign Height	Lengths					
	A	B		2"	4"	6"	9"	12"	36"
72	2 1/8"	1/8"		2"	4"	6"	9"	12"	36"
73	2"	1/8"	12" - No Holes			6"	9"	12"	36"
74	1 1/2"	1/8"	5"			6"	9"		
111	1 3/8"	1/8"	4"			6"	9"		
200	2"					6"	9"	12"	
294	2 1/8"			2"	4"	6"	9"	12"	36"

Frame Supplies

THIN TIN

Thin tin for mounting signs magnetically is .010 thick with an adhesive back and a black paper coated front surface. Thin tin can be cut with shears or industrial scissors.

BLACK STYRENE

Black styrene with unfinished surfaces is used as filler material.

BLACK ABS AIR CELL BLACK

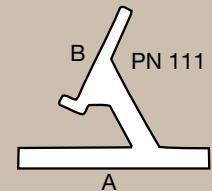
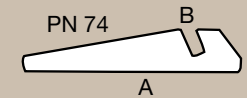
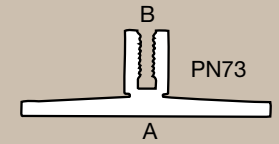
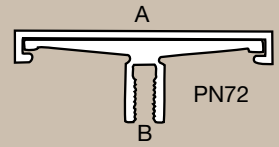
Tough durable Air Cell finish on one side used for backing material.

Part No.	Description
B02140	Thin Tin 21 x 40
B02116	Black Styrene 24 x 48
B02118	Black ABS 24 x 48

Frame Extrusions

Part No.	Size	Lengths			
		6"	8"	10"	36"
202	Six 1/2" x 1/16" slots	6"	8"	10"	36"
203	Seven 5/8" x 1/16" slots	6"	8"	10"	36"
206	One 4 13/16" x 1/16" slots	6"	8"	10"	36"

Custom lengths are available.
All frames can be combined for quantity discounts.



Double sided tape or adhesive is required for sign installation.

