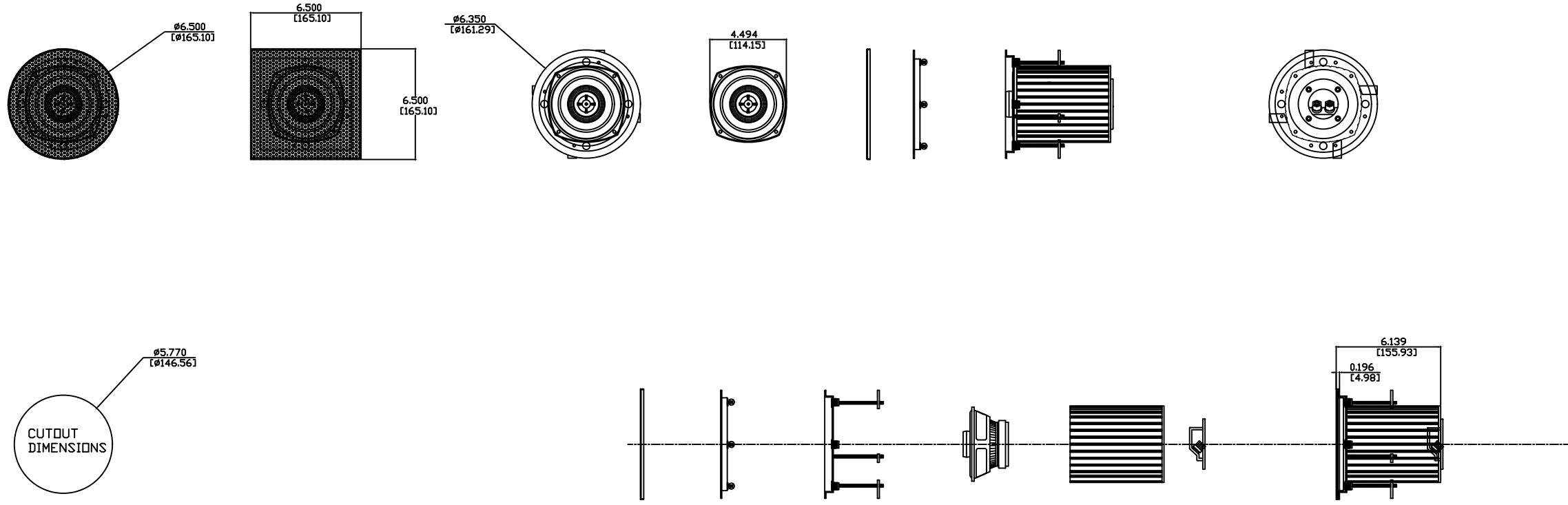


REVISIONS				
ECO	REV.	DESCRIPTION	DATE	APPROVED
	A	RELEASE FOR PRODUCTION	07-05-12	
	B	CHANGE CAN DEPTH	08-23-13	M. GALLES
	C	CHANGE MOUNTING SCREWS DIAMETER TO 5.100"	08-23-13	M. GALLES
	D	CHANGE MOUNTING SCREWS DIAMETER TO 5.025"	08-23-13	M. GALLES
	E	CHANGED CAN DEPTH TO 6.424"	07-03-14	K. EBELING
	F	CAN DEPTH TO 6.260"/REMOVED FRONT PLATE	12-11-14	K. EBELING
	G	CHANGE TO .180" DIAMETER HOLES ON MOUNT. PLATE	08-25-15	K. DUNLEA



JAMES LOUDSPEAKER

SXC420	
SXC420 CEILING ASSEMBLY	
P/N: -	DWR #: 120705-A01
REVISED BY:	
DRAWN BY: M. PARK	FILE:
DATE: 07-05-12	SCALE:
APPROVED:	
DRAFTING APPROVED:	
DO NOT SCALE DRAWING	
DRAWING NOT TO BE USED FOR CNC	
TOLERANCES: ANG: $\pm = .5^\circ$ FRACT: $\pm = 1/32$	
DECIMALS: .XX $\pm = .01$.XXX $\pm = .005$	
REVISION: G	SHEET 1 OF 7