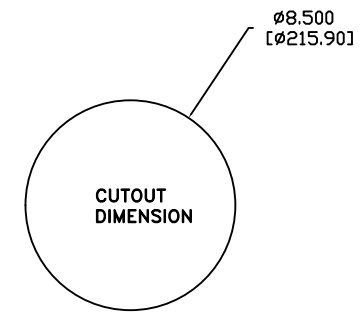
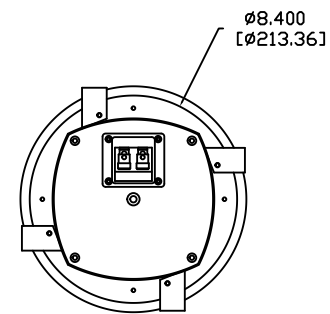
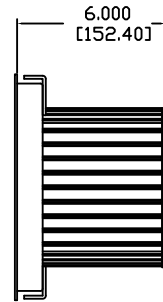
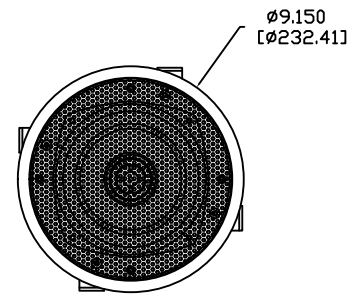
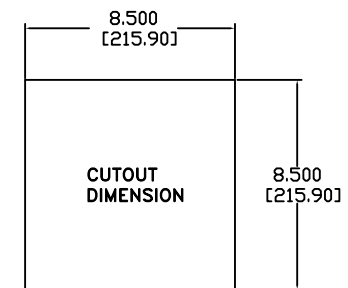
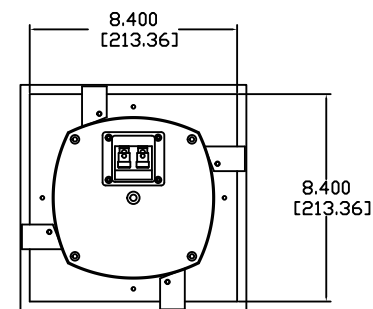
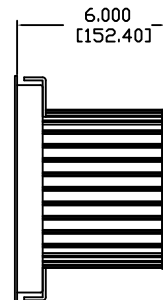
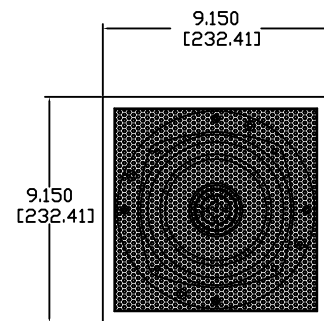


REVISIONS				
ECD	REV.	DESCRIPTION	DATE	APPROVED
	A	RELEASE FOR PRODUCTION	01-25-16	



FXC620 ROUND ASSEMBLY



FXC620 SQUARE ASSEMBLY

NOTES:

- 1: TOP ASSEMBLY FOR ROUND TRIM AND GRILLE
- 2: BOTTOM ASSEMBLY FOR SQUARE TRIM AND GRILLE

<i>JAMES LOUDSPEAKER</i>	
<i>FXC620</i>	
EXT.DIMS	
P/N: -	DWR #: 150624-D101
REVISED BY: K. DUNLEA	
DRAWN BY: D. TUGGLE	FILE:
DATE: 06-24-15	SCALE:
APPROVED:	
DRAFTING APPROVED:	
DO NOT SCALE DRAWING	
DRAWING NOT TO BE USED FOR CNC	
TOLERANCES: ANG: ± = .5° FRACT. ± = 1/32	
DECIMALS: .XX ± = .01 .XXX ± = .005	
REVISION: A	SHEET 1 OF 1