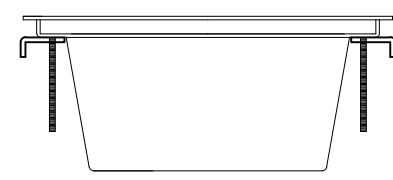
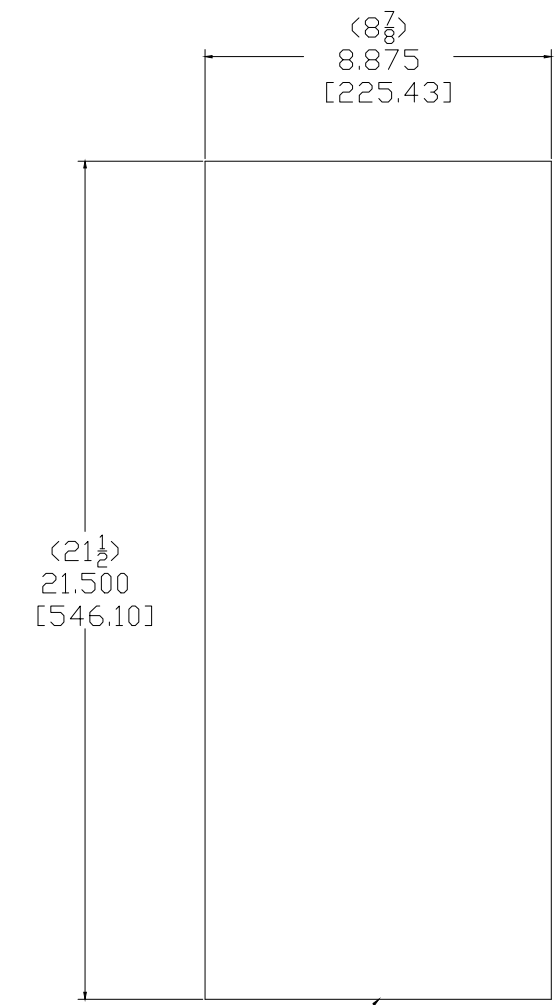
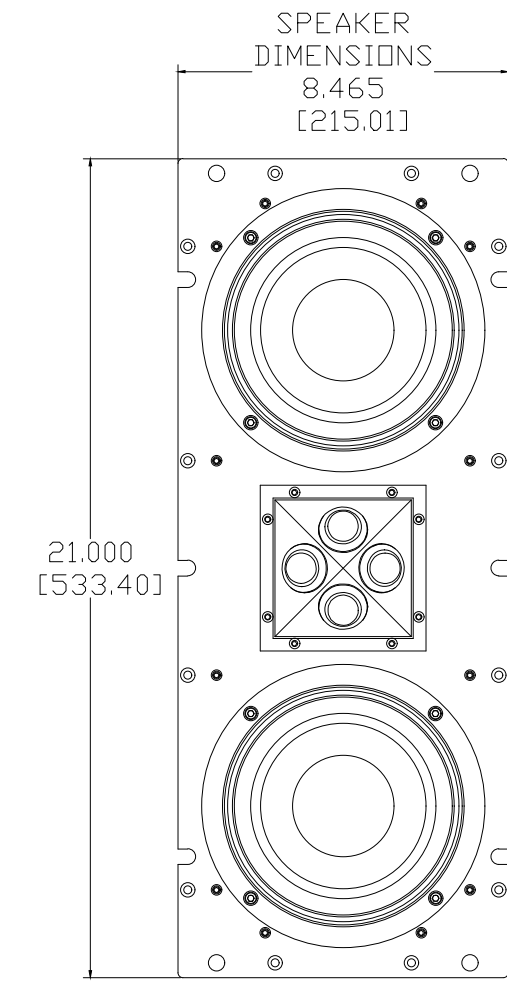
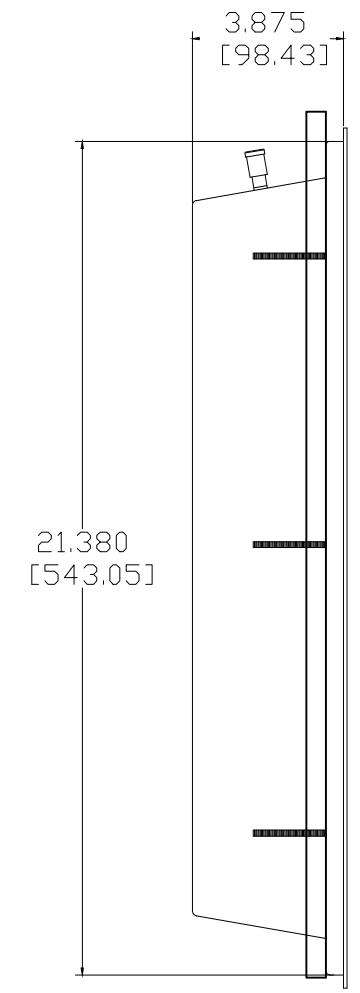
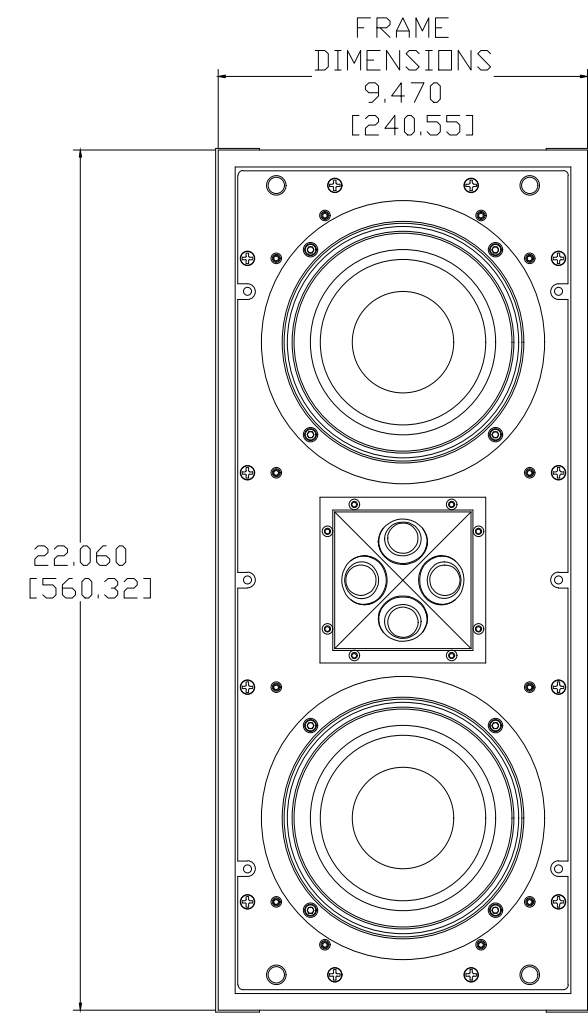
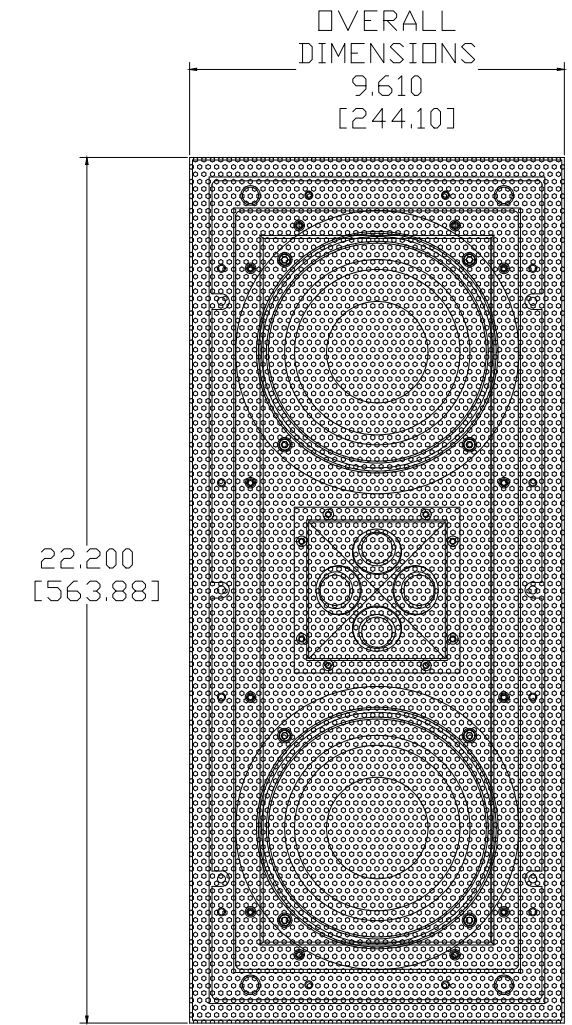
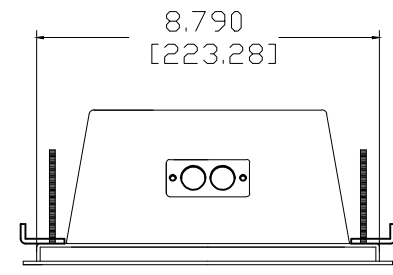


REV. NO.		DESCRIPTION	DATE	APPROVED
A		RELEASE FOR PRODUCTION	12-27-11	
B		ECN 13005 CHANGE TERMINAL SCREW HOLE SIZE/TAP	04-5-13	MATT GALLES
C		ECN 14003 CHANGE NETWORK SCREW HOLE PATTERN	05-28-14	K. EBELING
D		ECN 14005 CHANGED GRILLE PIN HOLE TO 20.250"	07-19-14	K. EBELING
E		CHANGED BRACKET HOLE LOCATIONS	04-03-15	D. MEI



CUT OUT DIMENSIONS

<i>JAMES LOUDSPEAKER</i>	
QX630	
EXTERNAL DIMENSIONS	
P/N: -	DWR #: 111227-D00
REVISED BY:	
DRAWN BY: M. GALLES	FILE:
DATE: 12-27-11	SCALE:
APPROVED:	
DRAFTING APPROVED:	
DO NOT SCALE DRAWING	
DRAWING NOT TO BE USED FOR CNC	
TOLERANCES: ANG: ± = .5° FRACT: ± = 1/32	
DECIMALS: .XX ± = .01 .XXX ± = .005	
REVISION: E	SHEET 1 OF 1