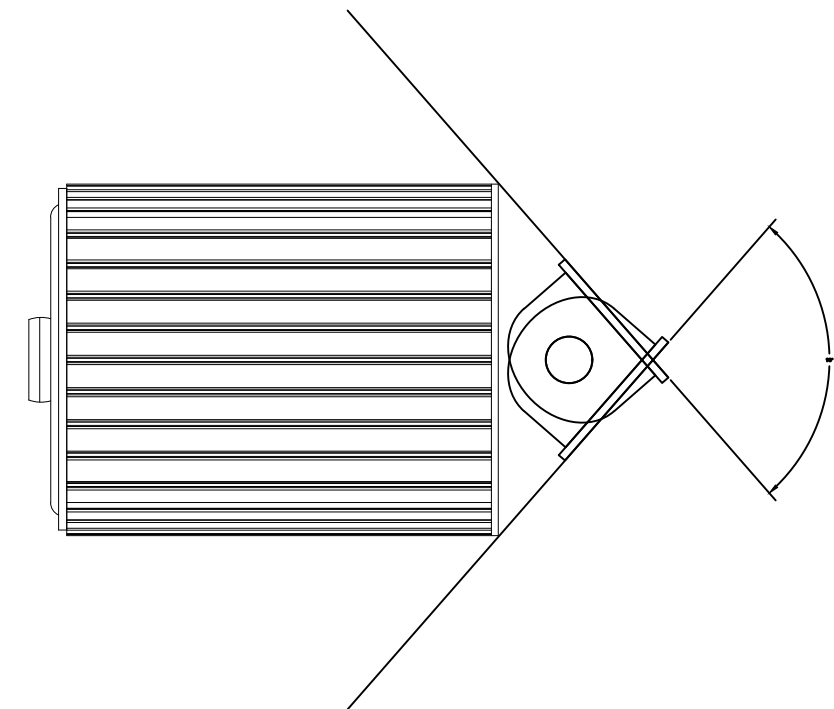
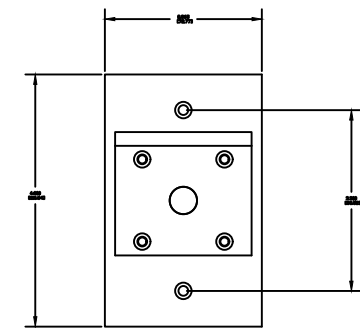
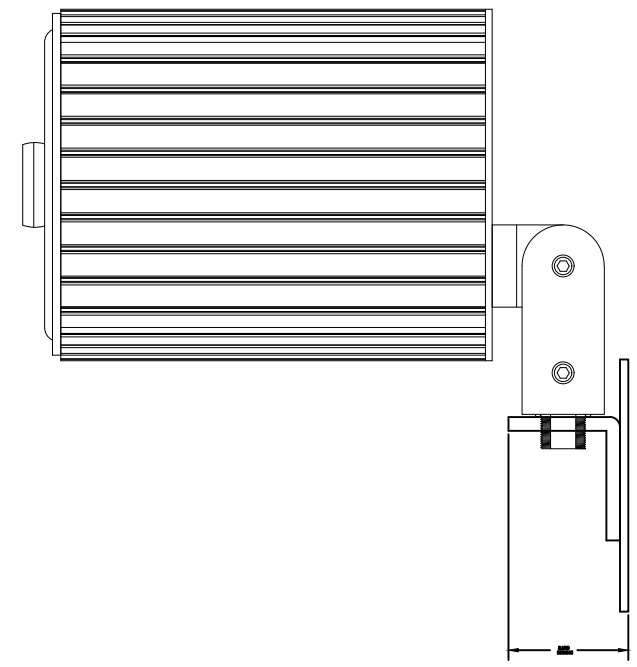
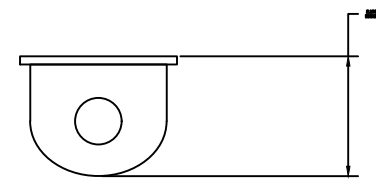


REVISIONS				
ECD	REV.	DESCRIPTION	DATE	APPROVED
	X1	PRELIMINARY DRAWING	08-28-15	
	X2	CHANGED HOLE DIAMETER AND ADDED CURVE	09-16-15	
	X3	CHANGED MATERIAL THICKNESS OF L-BRACKET TO 3/16"	02-04-16	
	X4	CHANGED TO SQUARE HOLE CUTOUT	03-03-16	
	X5	CHANGED L-BRACKET THICKNESS TO 0.2500" / 1/2" NOT HOLE	05-18-16	R. MIRANDA



NOTES:

- 1: MATERIAL - 0.2500" THICK ALUMINUM UNLESS OTHERWISE SPECIFIED

JAMES LOUDSPEAKER	
62AT L-BRACKET	
WALL PLATE L-BRACKET	
P/N: AT.MOUNT.L	DWR #: 150828-K201
REVISED BY: R. MIRANDA	
DRAWN BY: K. DUNLEA	FILE:
DATE: 09-21-12	SCALE:
APPROVED:	
DRAFTING APPROVED:	
DO NOT SCALE DRAWING	
DRAWING NOT TO BE USED FOR CNC	
TOLERANCES: ANG: ± = .5° FRACT. ± = 1/32	
DECIMALS: .XX ± = .01 .XXX ± = .005	
REVISION: X5	SHEET 1 OF 3