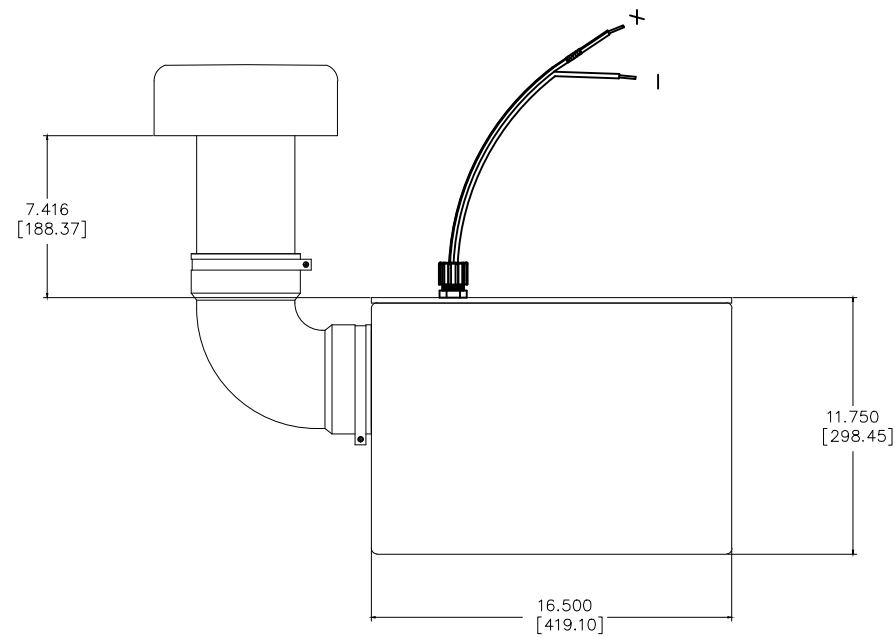
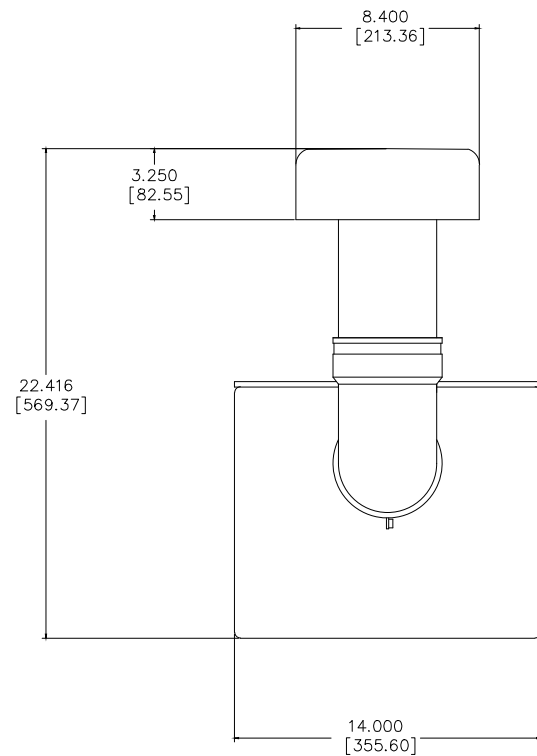
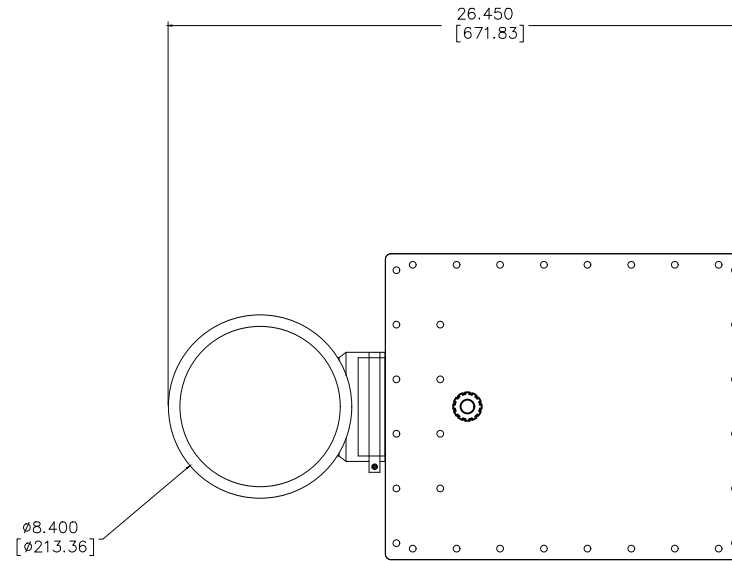


REVISIONS				
ECD	REV.	DESCRIPTION	DATE	APPROVED
	A	RELEASE FOR PRODUCTION	05-29-08	



NOTES:

- 1: MATERIAL: 0.250" THICK 5052 ALUMINUM
UNLESS OTHERWISE SPECIFIED
- 2: ALL JOINTS MUST BE WELDED AND SEALED
- 3: 12" MARINE GRADE SUBWOOFER
- 4: MARINE GRADE HARDWARE
- 5: NBR 90 DEG. ELBOW
- 6: 4" DIA. SCHEDULE 40 PVC PIPE
- 7: 8.4" DIA. x 3.25" HEIGHT PVC COVER CAP/ GREEN

JAMES LOUDSPEAKER	
121ST	
EXTERNAL DIMENSIONS	
P/N: -	DWR #: 080529-A00
REVISED BY: K. DUNLEA	
DRAWN BY: M. GALLES	FILE:
DATE: 05-29-08	SCALE:
APPROVED:	
DRAFTING APPROVED:	
DO NOT SCALE DRAWING	
DRAWING NOT TO BE USED FOR CNC	
TOLERANCES: ANG: ± = .5° FRACT. ± = 1/32	
DECIMALS: .XX ± = .01 .XXX ± = .005	
REVISION: A	SHEET 1 OF 1