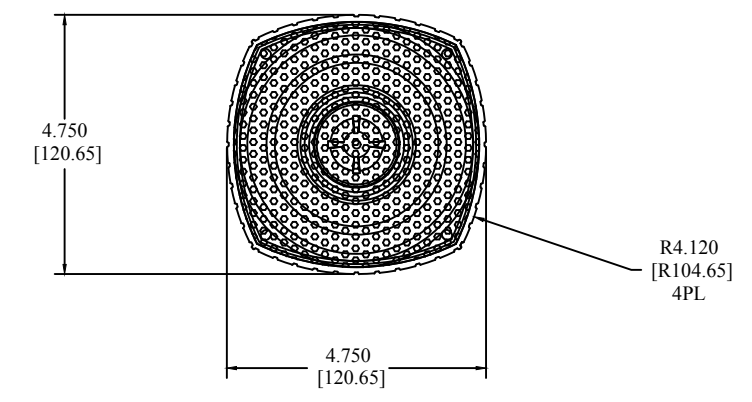
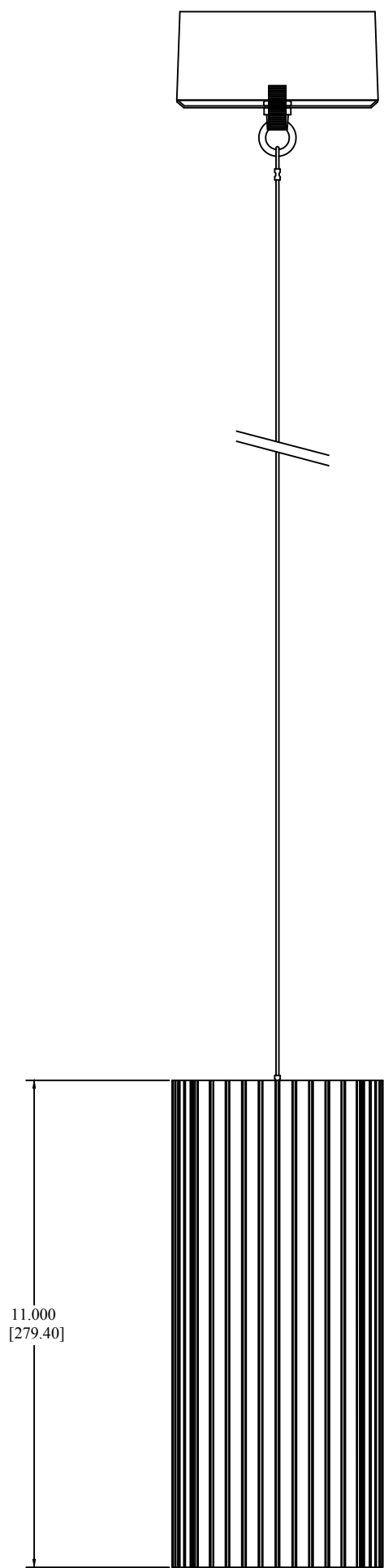


REVISIONS				
ECO	REV.	DESCRIPTION	DATE	APPROVED
	A	RELEASE FOR PRODUCTION	12-20-13	
	B	EXTENDED OUTER CAN TO 11"	04-04-14	



NOTES:
 1: MATERIAL - EXTRUDED ALUMINUM
 UNLESS OTHERWISE SPECIFIED
 2: FINISH - CLEAR COATED ALUMINUM

JAMES LOUDSPEAKER	
PD420	
EXTERNAL DIMENSIONS	
P/N: -	DWR #: 131220-A01
REVISED BY:	
DRAWN BY: M. PARK	FILE:
DATE: 12-20-13	SCALE:
APPROVED:	
DRAFTING APPROVED:	
DO NOT SCALE DRAWING	
DRAWING NOT TO BE USED FOR CNC	
TOLERANCES: ANG: ± .5° FRACT: ± 1/32	
DECIMALS: .XX ± .01 .XXX ± .005	
REVISION: B	SHEET 1 OF 1