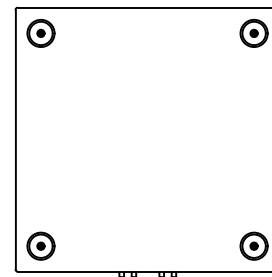
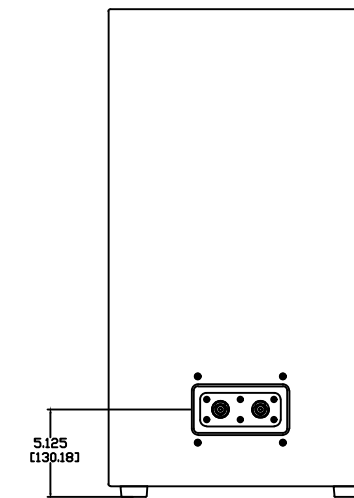
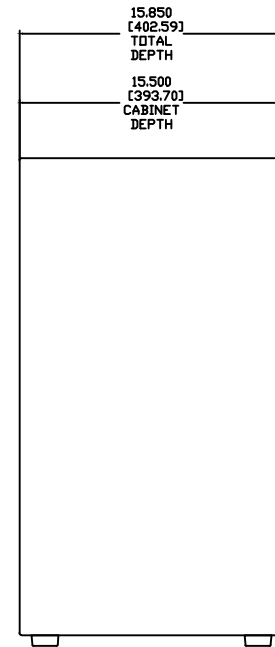
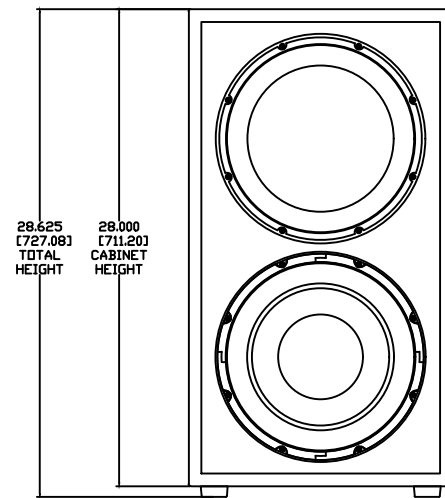
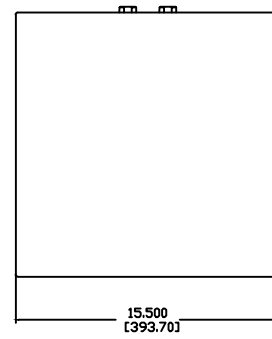
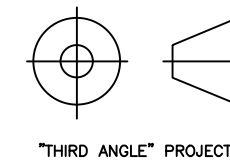


REVISIONS				
ECN	REV.	DESCRIPTION	DATE	APPROVED
	A	RELEASE FOR PRODUCTION	11-27-13	
19019	B	ASSIGNED NEW DRAWING NUMBER DRAWING UPDATED	04-30-19	



NOTES:

- 1: MATERIAL - 0.750" THICK MDF
UNLESS OTHERWISE SPECIFIED
- 2: FINISH: STUDIO BLACK POWDER COAT
UNLESS OTHERWISE SPECIFIED



"THIRD ANGLE" PROJECTION

PROPRIETARY INFORMATION
THE DESIGNS, INFORMATION, AND
DATA CONTAINED HEREIN ARE
PROPRIETARY AND ARE SUBMITTED
IN CONFIDENCE, AND SHALL NOT BE
DISCLOSED, USED OR DUPLICATED
IN WHOLE OR IN PART, FOR ANY
PURPOSES WHATSOEVER, WITHOUT
THE PRIOR WRITTEN PERMISSION OF
JAMES LOUDSPEAKER LLC, 2185
PARK PL, MINDEN, NV 89423. THIS
LEGEND SHALL BE MARKED ON ANY
REPRODUCTIONS HEREOF IN WHOLE
OR IN PART. RECEIPT OF THIS
DOCUMENT SHALL BE DEEMED TO
BE AN ACCEPTANCE OF THE
CONDITIONS SPECIFIED HEREIN.

JAMES LOUDSPEAKER

M122

EXTERNAL DIMENSIONS

P/N: - DWR #: 190430-S101

REVISED BY: S. LOESCH

DRAWN BY: M. PARK FILE:

DATE: 11-27-13 SCALE:

APPROVED:

DRAFTING APPROVED:

DO NOT SCALE DRAWING

DRAWING NOT TO BE USED FOR CNC

TOLERANCES: ANG: ± = .5° FRACT. ± = 1/32

DECIMALS: .XX ± = .01 .XXX ± = .005

REVISION: B

SHEET 1 OF 3