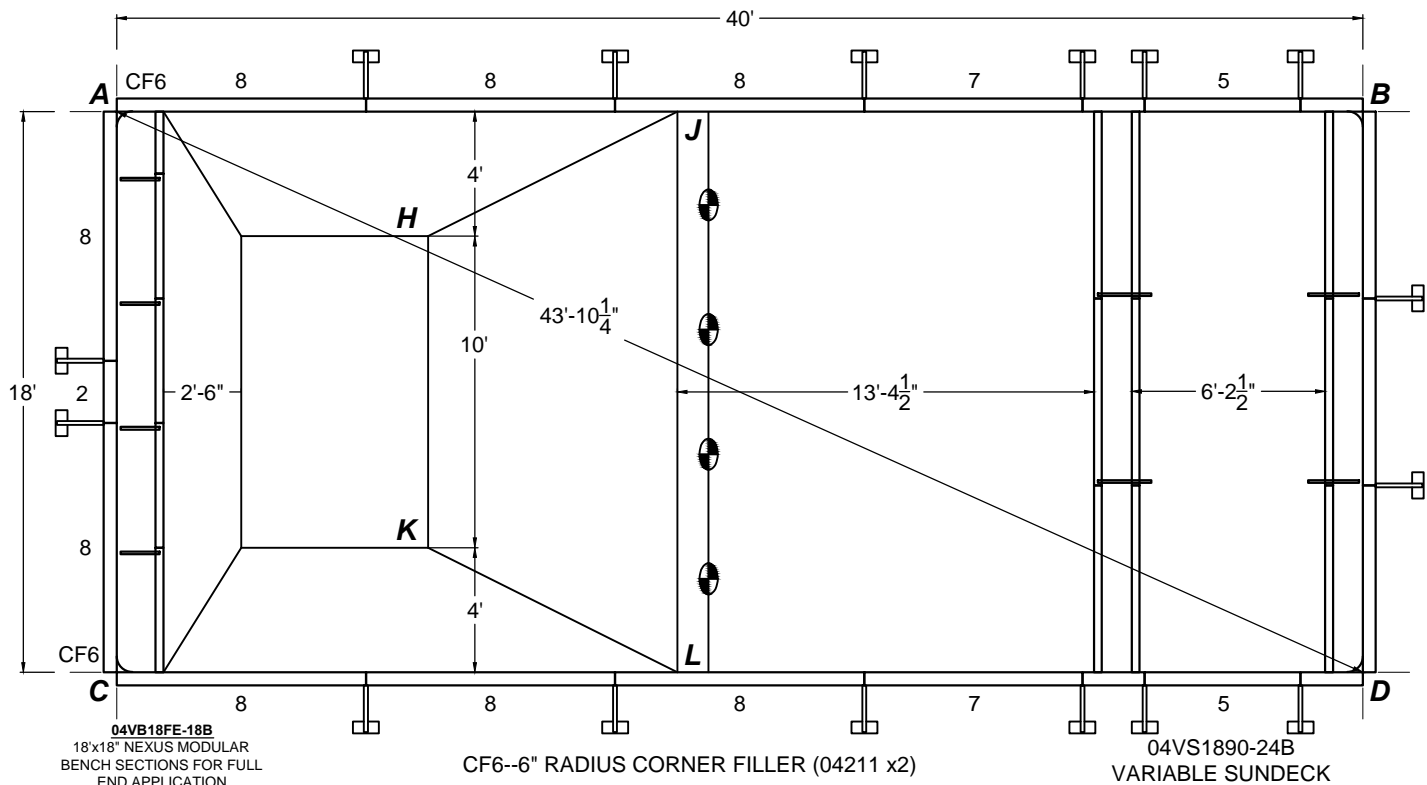


FROM A TO:	
D	43'-10 1/4"
H	10'-9 1/4"
J	18'
K	17'-2 1/2"
L	25'-5 1/2"

FROM B TO:	
C	43'-10 1/4"
H	30'-3 1/4"
J	22'
K	33'-1 1/4"
L	28'-5"

FROM C TO:	
B	43'-10 1/4"
H	17'-2 1/2"
J	25'-5 1/2"
K	10'-9 1/4"
L	18'

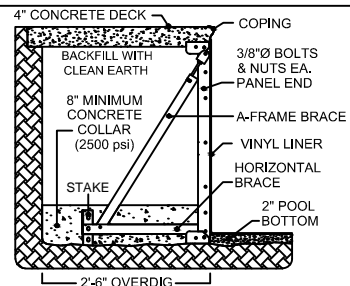
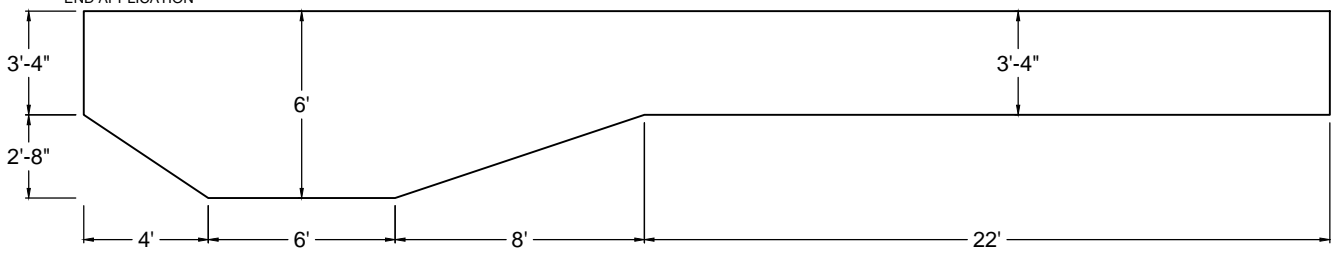
FROM D TO:	
A	43'-10 1/4"
H	33'-1 1/4"
J	28'-5"
K	30'-3 1/4"
L	22'



04VB18FE-18B
18"x18" NEXUS MODULAR BENCH SECTIONS FOR FULL END APPLICATION

CF6--6" RADIUS CORNER FILLER (04211 x2)

04VS1890-24B VARIABLE SUNDECK



FILE NUMBER : 221117611

Perimeter : 116'-0"

Surface Area : 720.00 SQ FT

Volume : 15,709 gal.

DRAWN BY : hgraham

NON DIVING

PER APSP/ANSI/ICC-5 2011 & ISPSA 2021 STANDARDS FOR RESIDENTIAL INGROUND SWIMMING POOLS, THE INSTALLER IS RESPONSIBLE FOR PLACING **1 SKIMMER FOR EVERY 800 sq. ft. & 1 RETURN FOR EVERY 300 sq. ft.**

THIS POOL CONFORMS TO CURRENT APSP/ANSI/ICC-5 2011 & ISPSA 2021 STANDARDS FOR RESIDENTIAL INGROUND SWIMMING POOLS

Imperial POOLS

33 Wade Rd. Latham, NY 12110
phn: 518-786-1200 / fax: 518-786-0954

CUSTOMER SIGNATURE REQUIRED

DEALER NAME : Raft to Rafters

CUSTOMER NAME : Hundley

DATE

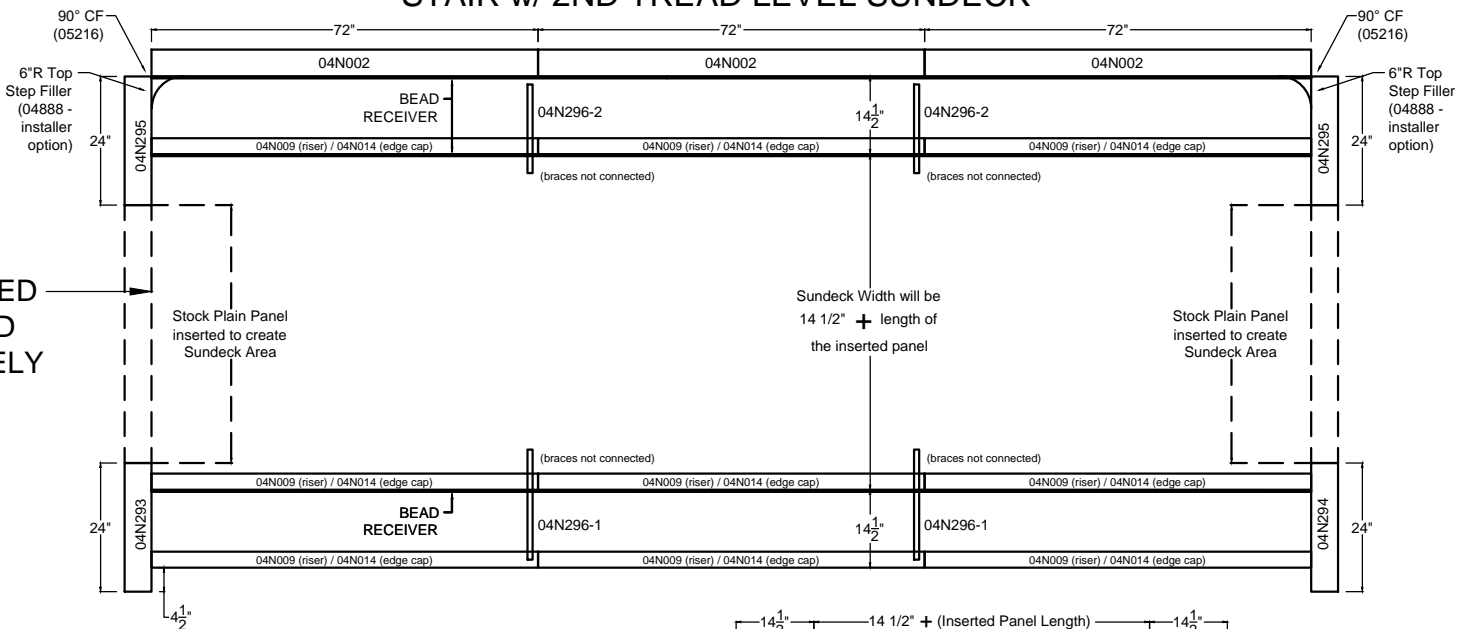
STEEL

WARNING: SWIMMING POOLS CAN BE DANGEROUS WHEN USED IMPROPERLY CONSULT YOUR DEALER FOR SAFETY INFORMATION ON SAFE USE. IT IS THE RESPONSIBILITY OF TOWN OFFICIALS, BUILDERS AND THE HOMEOWNERS TO FOLLOW ALL SAFETY RECOMMENDATIONS OF ANSI/SPS, LOCAL ORDINANCES AND EQUIPMENT MANUFACTURERS.

DEPTH AND SHAPE OF POOL MEET MINIMUM STANDARDS OF THE INTERNATIONAL SWIMMING POOL AND SPA CODE 2021 FOR IN-GROUND SWIMMING POOLS. A MEANS ENTRY/EXIT FOR BOTH THE DEEP END AND THE SHALLOW END OF THE POOL MUST BE PROVIDED IN ACCORDANCE WITH THE 2021 INTERNATIONAL SWIMMING POOL AND SPA CODE SECTION 809. EQUIPOTENTIAL BONDING MUST BE PROVIDED IN ACCORDANCE WITH THE NATIONAL ELECTRICAL CODE NFPA 70. ALL A-FRAME BRACES ARE TO BE MOUNDED WITH MINIMUM 8 INCH DEEP POURED 2500 P.S.I. CONCRETE COLLAR AROUND ENTIRE PERIMETER OF POOL. NO DIVING LABELS ARE TO BE INSTALLED AROUND THE PERIMETER OF POOL AS REQUIRED. SUCTION ENTRAPMENT AVOIDANCE IS TO BE INSTALLED IN ACCORDANCE WITH ANSI/APSP/ICC-7. ALL WORK NOT SPECIFICALLY SHOWN IS TO BE DONE IN ACCORDANCE WITH THE REQUIREMENTS OF THE 2021 INTERNATIONAL SWIMMING POOL AND SPA CODE AND ALL OTHER APPLICABLE CODES.

04VS1890-24B

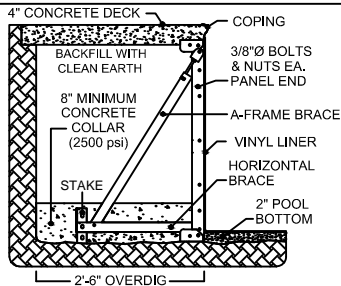
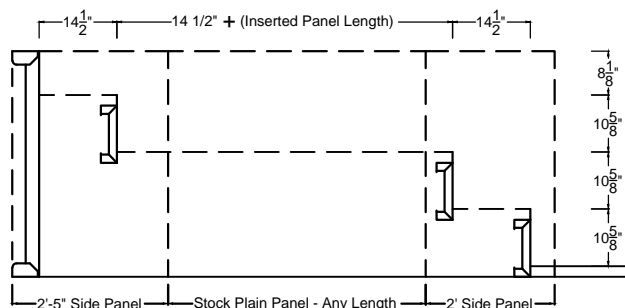
STAIR w/ 2ND TREAD LEVEL SUNDECK



*****BEAD RECEIVER IS REQUIRED FOR SIDES OF SUNDECK AND MUST BE ORDERED SEPARATELY BASED ON QTY NEEDED*****

SPECIAL 18' NEXUS STAIR w/ SPLIT SIDE PANELS

*** Stair can be installed with additional stock panels to create a Sundeck Area at the Top or 2nd tread level - Installer MUST provide correct tread size for liner manufacturing ***



FILE NUMBER : 221117611

Perimeter : 116'-0"

Surface Area : 720.00 SQ FT

Volume : 15,709 gal.

DRAWN BY : hgraham

NON DIVING

PER *APSP/ANSI/ICC-5 2011* & *ISPC 2021* STANDARDS FOR RESIDENTIAL INGROUND SWIMMING POOLS, THE INSTALLER IS RESPONSIBLE FOR PLACING **1 SKIMMER FOR EVERY 800 sq. ft. & 1 RETURN FOR EVERY 300 sq. ft.**

THIS POOL CONFORMS TO CURRENT *APSP/ANSI/ICC-5 2011* & *ISPC 2021* STANDARDS FOR RESIDENTIAL INGROUND SWIMMING POOLS



33 Wade Rd. Latham, NY 12110
phn: 518-786-1200 / fax: 518-786-0954

CUSTOMER SIGNATURE REQUIRED

DEALER NAME : Raft to Rafters
CUSTOMER NAME : Hundley

DATE

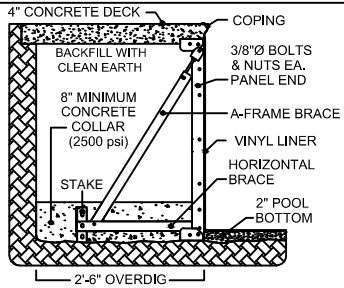
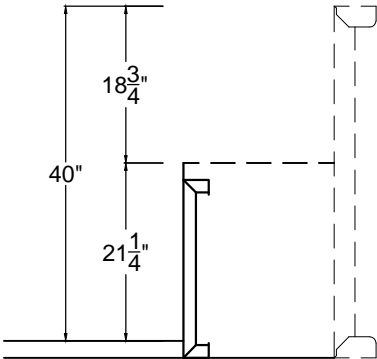
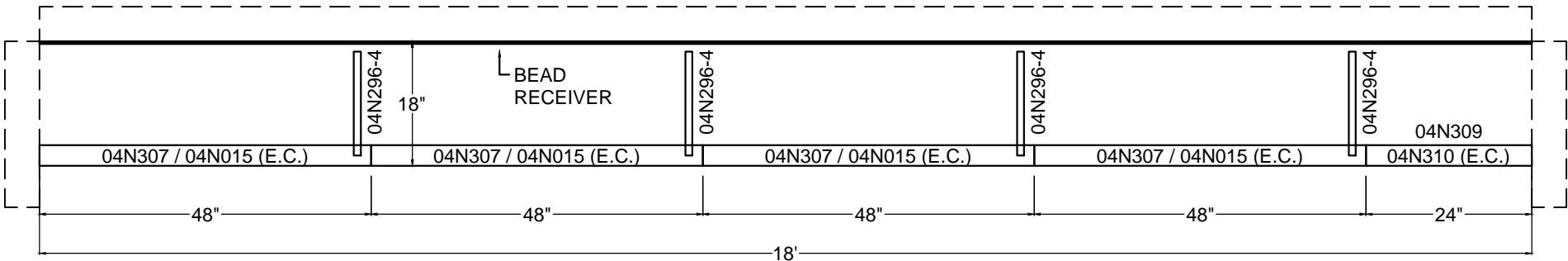
STEEL

WARNING: SWIMMING POOLS CAN BE DANGEROUS WHEN USED IMPROPERLY CONSULT YOUR DEALER FOR SAFETY INFORMATION ON SAFE USE. IT IS THE RESPONSIBILITY OF TOWN OFFICIALS, BUILDERS AND THE HOMEOWNERS TO FOLLOW ALL SAFETY RECOMMENDATIONS OF ANSI/SP. LOCAL ORDINANCES AND EQUIPMENT MANUFACTURERS.

DEPTH AND SHAPE OF POOL MEET MINIMUM STANDARDS OF THE INTERNATIONAL SWIMMING POOL AND SPA CODE 2021 FOR IN-GROUND SWIMMING POOLS. A MEANS ENTRY/EXIT FOR BOTH THE DEEP END AND THE SHALLOW END OF THE POOL MUST BE PROVIDED IN ACCORDANCE WITH THE 2021 INTERNATIONAL SWIMMING POOL AND SPA CODE SECTION 809. EQUIPOTENTIAL BONDING MUST BE PROVIDED IN ACCORDANCE WITH THE NATIONAL ELECTRICAL CODE NFPA 70. ALL A-FRAME BRACES ARE TO BE MOUNDED WITH MINIMUM 8 INCH DEEP POURED 2500 P.S.I. CONCRETE COLLAR AROUND ENTIRE PERIMETER OF POOL. NO DIVING LABELS ARE TO BE INSTALLED AROUND THE PERIMETER OF POOL AS REQUIRED. SUCTION ENTRAPMENT AVOIDANCE IS TO BE INSTALLED IN ACCORDANCE WITH ANSI/SP/ICC-7. ALL WORK NOT SPECIFICALLY SHOWN IS TO BE DONE IN ACCORDANCE WITH THE REQUIREMENTS OF THE 2021 INTERNATIONAL SWIMMING POOL AND SPA CODE AND ALL OTHER APPLICABLE CODES.

04VB18FE-18B

18'x18" NEXUS MODULAR BENCH SECTIONS FOR FULL END APPLICATION



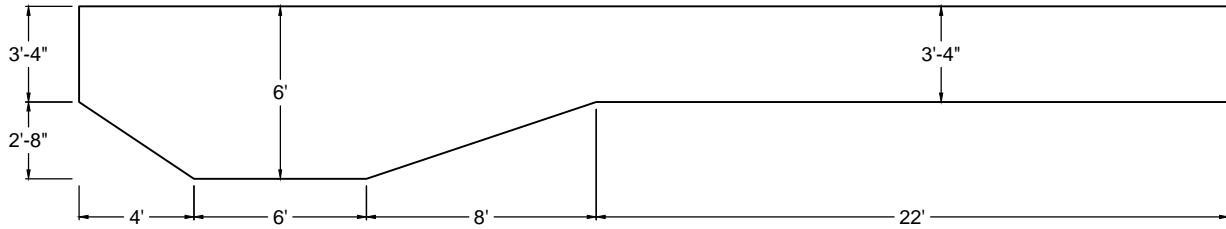
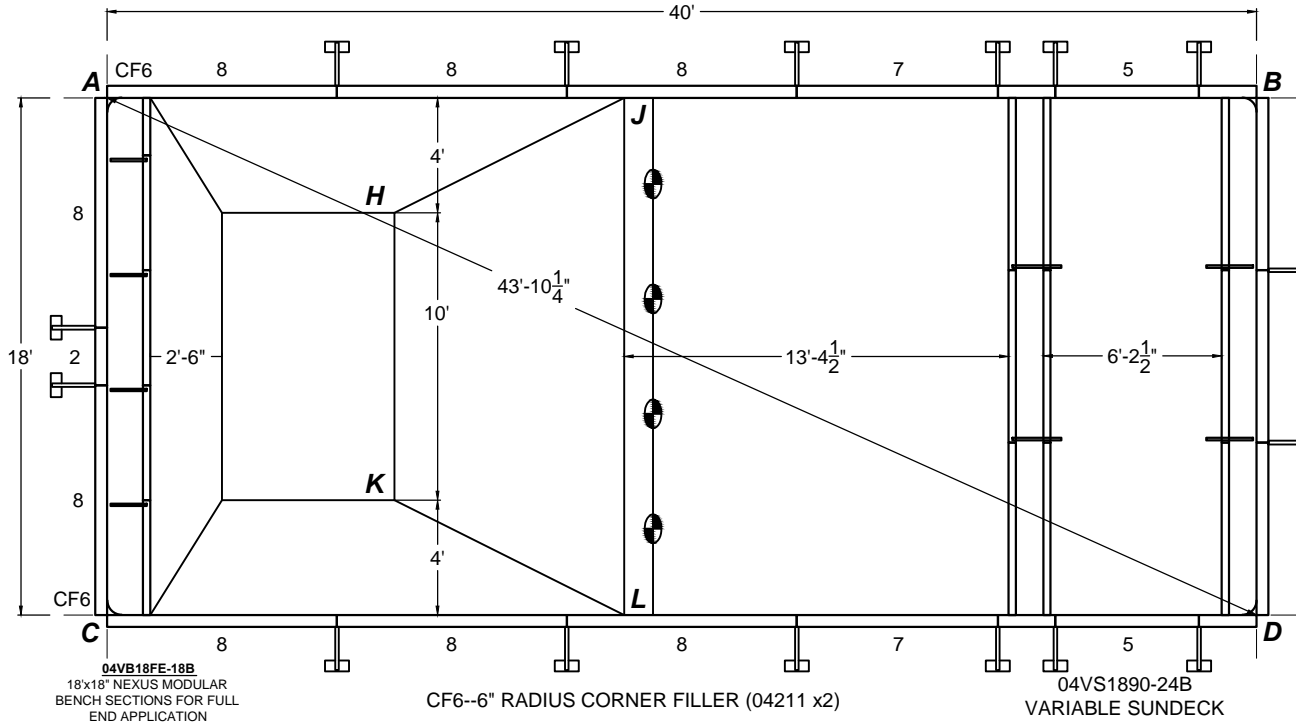
<p>FILE NUMBER : 221117611</p> <p>Perimeter : 116'-0"</p> <p>Surface Area : 720.00 SQ FT</p> <p>Volume : 15,709 gal.</p> <p>DRAWN BY : hgraham</p>	<p>NON DIVING</p> <p><small>PER <i>APSP/ANSI/ICC-5 2011</i> & <i>ISPSA 2021</i> STANDARDS FOR RESIDENTIAL INGROUND SWIMMING POOLS, THE INSTALLER IS RESPONSIBLE FOR PLACING 1 SKIMMER FOR EVERY 800 sq. ft. & 1 RETURN FOR EVERY 300 sq. ft.</small></p>	<p>THIS POOL CONFORMS TO CURRENT <i>APSP/ANSI/ICC-5 2011</i> & <i>ISPSA 2021</i> STANDARDS FOR RESIDENTIAL INGROUND SWIMMING POOLS</p> <p style="text-align: center;">Imperial POOLS</p> <p style="text-align: center;">33 Wade Rd. Latham, NY 12110 phn: 518-786-1200 / fax: 518-786-0954</p>	<p>CUSTOMER SIGNATURE REQUIRED _____</p> <p>DATE _____</p>
		<p>DEALER NAME : Raft to Rafters</p> <p>CUSTOMER NAME : Hundley</p>	<h1 style="margin: 0;">STEEL</h1>
<p>DEPTH AND SHAPE OF POOL MEET MINIMUM STANDARDS OF THE INTERNATIONAL SWIMMING POOL AND SPA CODE 2021 FOR IN-GROUND SWIMMING POOLS. A MEANS ENTRY/EXIT FOR BOTH THE DEEP END AND THE SHALLOW END OF THE POOL MUST BE PROVIDED IN ACCORDANCE WITH THE 2021 INTERNATIONAL SWIMMING POOL AND SPA CODE SECTION 809. EQUIPOTENTIAL BONDING MUST BE PROVIDED IN ACCORDANCE WITH THE NATIONAL ELECTRICAL CODE NFPA 70. ALL A-FRAME BRACES ARE TO BE MOUNDED WITH MINIMUM 8 INCH DEEP POURED 2500 P.S.I. CONCRETE COLLAR AROUND ENTIRE PERIMETER OF POOL. NO DIVING LABELS ARE TO BE INSTALLED AROUND THE PERIMETER OF POOL AS REQUIRED. SUCTION ENTRAPMENT AVOIDANCE IS TO BE INSTALLED IN ACCORDANCE WITH ANSIAPSP/ICC-7. ALL WORK NOT SPECIFICALLY SHOWN IS TO BE DONE IN ACCORDANCE WITH THE REQUIREMENTS OF THE 2021 INTERNATIONAL SWIMMING POOL AND SPA CODE AND ALL OTHER APPLICABLE CODES.</p>			

FROM A TO:	
D	43'-10 1/4"
H	10'-9 1/4"
J	18'
K	17'-2 1/2"
L	25'-5 1/2"

FROM B TO:	
C	43'-10 1/4"
H	30'-3 1/4"
J	22'
K	33'-1 1/4"
L	28'-5"

FROM C TO:	
B	43'-10 1/4"
H	17'-2 1/2"
J	25'-5 1/2"
K	10'-9 1/4"
L	18'

FROM D TO:	
A	43'-10 1/4"
H	33'-1 1/4"
J	28'-5"
K	30'-3 1/4"
L	22'



BILL OF MATERIALS

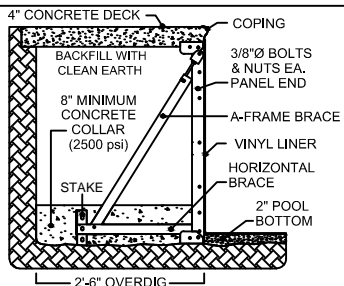
QUANTITY	NAME	UNIVERSAL	LEGACY ONLY
16	A-FRAME	VARIES	VARIES
8	8' PLAIN PANEL	04101	05102
2	5' PLAIN PANEL	04107	04107
2	7' PLAIN PANEL	04105	05110
2	DIAG. 6" RADIUS CORNER FILLER (2 REQ. PER CORNER)	04211 x2	04211 x2
1	04VS1890-24B	SPCL	SPCL
1	2' PLAIN PANEL	04114	04114
1	04VB18FE-18B	SPCL	SPCL

3 75 PACK HEX BOLT AND WASHER PAK75 PAK75

OR

2 100 PACK HEX BOLT AND WASHER PAK100 PAK100

1) ITEMS MARKED WITH AN ASTERISK (*) ARE NOT NORMALLY STOCKED IN BRANCHES - PLEASE CHECK STOCK BEFORE ORDERING. 2) CODE NUMBERS 0410058, 0410025, 04100F, 04100R AND SPCL DENOTE A SPECIAL ITEM - PLEASE CHECK WITH YOUR LOCAL BRANCH FOR LEAD TIME, AVAILABILITY AND PRICING. 3) ALL SARATOGA STEP CODES ARE THE BASIC, WHITE VERSIONS - PLEASE CHECK WITH YOUR BRANCH FOR OTHER VERSIONS. 4) HARDWARE ESTIMATE DOES NOT INCLUDE HARDWARE TO CONSTRUCT SPECIALS - PLEASE CONTACT CORPORATE SERVICES FOR REQUIRED ADDITIONAL HARDWARE INFORMATION.



FILE NUMBER : 221117611

NON DIVING

Perimeter : 116'-0"

Surface Area : 720.00 SQ FT

Volume : 15,709 gal.

DRAWN BY : hgraham

PER APSP/ANSI/ICC-5 2011 & ISpsc 2021 STANDARDS FOR RESIDENTIAL INGROUND SWIMMING POOLS, THE INSTALLER IS RESPONSIBLE FOR PLACING **1 SKIMMER FOR EVERY 800 sq. ft. & 1 RETURN FOR EVERY 300 sq. ft.**

THIS POOL CONFORMS TO CURRENT APSP/ANSI/ICC-5 2011 & ISpsc 2021 STANDARDS FOR RESIDENTIAL INGROUND SWIMMING POOLS

33 Wade Rd. Latham, NY 12110
phn: 518-786-1200 / fax: 518-786-0954

CUSTOMER SIGNATURE REQUIRED _____ **DATE** _____

DEALER NAME : Raft to Rafters

CUSTOMER NAME : Hundley

STEEL

WARNING: SWIMMING POOLS CAN BE DANGEROUS WHEN USED IMPROPERLY CONSULT YOUR DEALER FOR SAFETY INFORMATION ON SAFE USE. IT IS THE RESPONSIBILITY OF TOWN OFFICIALS, BUILDERS AND THE HOMEOWNERS TO FOLLOW ALL SAFETY RECOMMENDATIONS OF ANSI/SP. LOCAL ORDINANCES AND EQUIPMENT MANUFACTURERS.

DEPTH AND SHAPE OF POOL MEET MINIMUM STANDARDS OF THE INTERNATIONAL SWIMMING POOL AND SPA CODE 2021 FOR IN-GROUND SWIMMING POOLS. A MEANS ENTRY/EXIT FOR BOTH THE DEEP END AND THE SHALLOW END OF THE POOL MUST BE PROVIDED IN ACCORDANCE WITH THE 2021 INTERNATIONAL SWIMMING POOL AND SPA CODE SECTION 809. EQUIPOTENTIAL BONDING MUST BE PROVIDED IN ACCORDANCE WITH THE NATIONAL ELECTRICAL CODE NFPA 70. ALL A-FRAME BRACES ARE TO BE MOUNDED WITH MINIMUM 8 INCH DEEP POURED 2500 P.S.I. CONCRETE COLLAR AROUND ENTIRE PERIMETER OF POOL. NO DIVING LABELS ARE TO BE INSTALLED AROUND THE PERIMETER OF POOL AS REQUIRED. SUCTION ENTRAPMENT AVOIDANCE IS TO BE INSTALLED IN ACCORDANCE WITH ANSI/APSP/ICC-7. ALL WORK NOT SPECIFICALLY SHOWN IS TO BE DONE IN ACCORDANCE WITH THE REQUIREMENTS OF THE 2021 INTERNATIONAL SWIMMING POOL AND SPA CODE AND ALL OTHER APPLICABLE CODES.