



D-Series Size 2 LED Area Luminaire



Specifications
EPA: 1.1 ft (0.33m)
Length: 40" (101.6cm)
Width: 15" (38.1cm)
Height 1: 7-1/4" (18.4cm)
Height 2: 3.5" (8.9cm)
Weight: 36lbs

Catalog Number
Notes
Type

Introduction
The modern styling of the D-Series is striking yet unobtrusive - making a bold, progressive statement even as it blends seamlessly with its environment.
The D-Series distills the benefits of the latest in LED technology into a high performance, high efficacy, long-life luminaire. The outstanding photometric performance results in sites with excellent uniformity, greater pole spacing and lower power density. The Size 2 is ideal for replacing 400-1000W metal halide in area lighting applications with energy savings of up to 80% and expected service life of over 100,000 hours.

Ordering Information

EXAMPLE: DSX2 LED P7 40K T3M MVOLT SPA NLTAR2 PIRHN DDBXD

Series	LEDs	Color temperature	Distribution	Voltage	Mounting
DSX2 LED					
Forward optics					
P1	P5 ¹	30K 3000K	T1S Type I Short (Automotive)	TSVS Type V Key Start ¹	MVOLT ¹
P2	P6	40K 4000K	T2S Type II Short	TSS Type V Short ¹	XXVOLT
P3	P7 ²	50K 5000K	T2M Type II Medium	TSM Type V Medium ¹	D2774-480V ^{1,10}
P4	P8 ¹		T3S Type III Short	T3S Backlight control ⁴	120" ¹⁰
Rotated optics					
P10 ¹	P13 ^{1,2}		T3M Type III Medium	LCCO Left corner cutoff ⁴	240" ⁹
P11 ¹	P14 ^{1,2}		T4M Type IV Medium	LCCO Left corner cutoff ⁴	277" ⁹
P12 ²			TTTM Forward Throw Medium	RCCO Right corner cutoff ⁴	347" ⁹

Control options	Other options	Finish ¹⁰ (optional)	
Shipped installed NLTAR2 Night All generation 2 enabled ¹¹ PIRHN Network, Bi-level motion/ambient sensor ¹¹ PER NEMA twist-lock receptacle only (no controls) ¹¹ PER5 Five-wire receptacle only (no controls) ^{11,9} PER7 Seven-wire receptacle only (no controls) ^{11,9} DMG 0-10V dimming control out back of housing for external control (no controls) ¹¹ DS Dual switching ^{11,9}	PIRHN Bi-level, motion/ambient sensor, 15-30' mounting height, ambient sensor enabled at 10' ¹¹ PIRHNFCV High-flow, motion/ambient sensor, 15-30' mounting height, ambient sensor enabled at 10' ^{11,9} FAO Field adjustable Output ¹¹	HS House-side shield ¹¹ SF Single face (120, 277, 347V) ¹ DF Double face (208, 240, 480V) ¹ L90 Left rotated optics ¹ R90 Right rotated optics ¹ NA 50% ambient operations ¹ BAA Buy Americanly Act Compliant Shipped separately BS Bird spikes ¹¹ EGS External glare shield	DDBXD Dark bronze DLBXD Black DNAXD Natural aluminum DWHXD White DDBXD Textured dark bronze DLBXD Textured black DNAXD Textured natural aluminum DWHXD Textured white

LITHONIA LIGHTING COMMERCIAL OUTDOOR
One Lithonia Way • Conyers, Georgia 30012 • Phone: 1-800-705-SERV (7378) • www.lithonia.com
DSX2 LED Rev. 07/19/21 Page 1 of 8

SSS Square Straight Steel Poles

Example: SSS 20 SC DM19 DDB

Series	Nominal fixture mounting height	Nominal shaft base size/wall thickness ¹	Mounting ²	Options	Finish ¹⁰
SSS	10'-30' (for 12" increments, add 6 to the pole height. Ex: 20-ft equals 20ft6in.)	4C 4" 1 1/4" (1194) 4G 4" 7/8" (1193) 4E 5" 1 1/4" (1196) 4F 5" 7/8" (1195) 4G 6" 7/8" (1193)	Tenon mounting PT Open top (Includes top cap) T20 2-3/8" O.D. (2" NPS) T25 2-3/8" O.D. (2-1/2" NPS) T30 3-1/2" O.D. (3" NPS) T35 4" O.D. (3-1/2" NPS) KAC/KAD/KAS/KSF/KSV/KVTE Drill mounting DM19 1 at 90° DM28 2 at 180° DM28 PL 2 at 180° with one side plugged DM39 2 at 90° DM39 3 at 90° DM49 4 at 90° DM49 4 at 90° CSX/DSX/SSX/ALBXX/DMEROXX/HLBXX Drill mounting DM19AS 1 at 90° DM28AS 2 at 180° DM28AS 3 at 90° DM39AS 4 at 90° BAG Drill mounting ¹¹ DM19RAD 1 at 90° DM28RAD 2 at 180° DM29RAD 2 at 90° DM39RAD 3 at 100° DM49RAD 4 at 90° ESX Drill mounting ¹¹ DM19ESX 1 at 90° DM28ESX 2 at 180° DM39ESX 3 at 90° DM49ESX 4 at 90°	Shipped installed L/AB Less anchor bolts (include when anchor bolts are not needed) VD Vibration damper TP Tamper resistant handhole cover fasteners H/xy Horizontal arm bracket (1 fixture) ¹¹ F/xy Feetson outlet less electrical ¹¹ CP12/xy 1/2" coupling ¹¹ CP13/xy 3/4" coupling ¹¹ CP11/xy 1" coupling ¹¹ NPL1/xy 1/2" threaded nipple ¹¹ NPL3/xy 3/4" threaded nipple ¹¹ NPL1/xy 1" threaded nipple ¹¹ EH/xy Extra handhole ¹¹ MAEX Match existing ¹¹ USPM United States point of manufacture ¹¹ IC Interior coating ¹¹ UL UL listed with label (Includes NEC compliant cover) NEC NEC 410.20 compliant apertured handhole (Not UL Labeled) Shipped separately (replacement kit available) (blank) FBC Full base cover (plastic) (blank) TC Top cap (blank) HHC Handhole cover	Standard colors DDBXD Dark bronze DNAXD White DLBXD Black DMBXD Medium bronze DNAXD Natural aluminum Class colors DSS Sandstone DGC Charcoal gray DTG Teal/green DBR Bright red DSB Steel blue Architectural Colors and Special Finishes ¹¹ Galvanized, Paint over Galvanized, RAL Colors, Custom Colors and Extended Warranty Finishes available.

NOTES:
1. Wall thickness will be specified with a "C" (1 Gauge) or a "G" (2 Gauge) in nomenclature. "C" = 0.1194" | "G" = 0.1197".
2. If open top poles include top cap. When ordering tenon mounting and drill mounting for the same pole, follow this example: DM20T20.
3. The combination includes a required extra handhole.
4. Refer to the fixture spec sheet for the correct drilling template pattern and orientation compatibility.
5. Inset 1" x 1" x 1" end-plate fixture (e.g. DM19AS2).
6. Specify location and orientation when ordering option.
For "C": Specify the height above the base of pole in feet or feet and inches; separate feet and inches with a ".".
Example: SF = 5' and DM20 (30" = 2'6")
For "G": Specify the height above the base of pole in feet and inches with a ".".
Example: SF = 5' and DM20 (30" = 2'6")
Refer to the Handhole Orientation diagram below.
Example: 1/2" coupling at 5' 3" elevation C = CP12-5-4C

LITHONIA LIGHTING POLE-SSS
OUTDOOR: One Lithonia Way Conyers, GA 30012 Phone: 800-705-SERV (7378) www.lithonia.com ©1994-2021 Acuity Brands Lighting, Inc. All rights reserved. Rev. 01/22/21



D-Series Size 2 LED Wall Luminaire



Specifications Luminaire
Width: 18-1/2" (46.7cm)
Depth: 10" (25.4cm)
Height: 7-5/8" (19.4cm)

Back Box (BBW)
Width: 5-1/2" (14.0cm)
Depth: 1-1/2" (3.8cm)
Height: 4" (10.2cm)



A+ Capable options indicated by this color background.

Ordering Information

EXAMPLE: DSXW2 LED 30C 700 40K T3M MVOLT DDBTDX

Series	LEDs	Drive Current	Color temperature	Distribution	Voltage	Mounting	Control Options
DSXW2 LED							
20C	20 LEDs (two engines)	350 350 mA	30K 3000K	T2S Type I Short	MVOLT ¹	Shipped included (blank) Surface mounting bracket	Shipped installed PE Photoelectric cell, button type ¹¹ PER NEMA twist-lock receptacle only (control ordered separately) PER5 Five-wire receptacle only (control ordered separately) ¹¹ PER7 Seven-wire receptacle only (control ordered separately) ^{11,9} DMG 0-10V dimming wires pulled outside fixture (for use with an external control, ordered separately) PIRHN 180° motion/ambient light sensor, <15' mounting height, ambient sensor enabled at 10' ¹¹ PIRHNFCV Motion/ambient sensor, 8-15' mounting height, ambient sensor enabled at 10' ^{11,9} PIRHNFCV Motion/ambient sensor, 15-30' mounting height, ambient sensor enabled at 10' ¹¹
30C	30 LEDs (three engines)	530 530 mA 700 700 mA (1A)	40K 4000K 50K 5000K	T2M Type II Medium T3S Type III Short T3M Type III Medium T4M Type IV Medium TTTM Forward Throw Medium	120" ¹⁰ 240" ⁹ 277" ⁹ 347" ⁹ 480" ¹¹	Shipped separately ¹¹ Surface-mounted back box (for conduit entry)	

Other Options	Finish ¹⁰ (optional)
Shipped installed SF Single face (120, 277, 347V) ¹ DF Double face (208, 240, 480V) ¹ HS House-side shield ¹¹ SPO Separate surge protection ¹¹	DDBXD Dark bronze DLBXD Black DNAXD Natural aluminum DWHXD White DSSXD Sandstone DDBTDX Textured dark bronze DLBTD Textured black DNAXD Textured natural aluminum

LITHONIA LIGHTING COMMERCIAL OUTDOOR
One Lithonia Way • Conyers, Georgia 30012 • Phone: 1-800-705-SERV (7378) • www.lithonia.com
DSXW2 LED Rev. 11/21/22 Page 1 of 4



333 North Alabama Street, Suite 200
Indianapolis, IN 46204
317.299.7500

ISSUANCE SCHEDULE	DESCRIPTION
NUMBER	DATE

INDIANA LIFE SCIENCES PARK

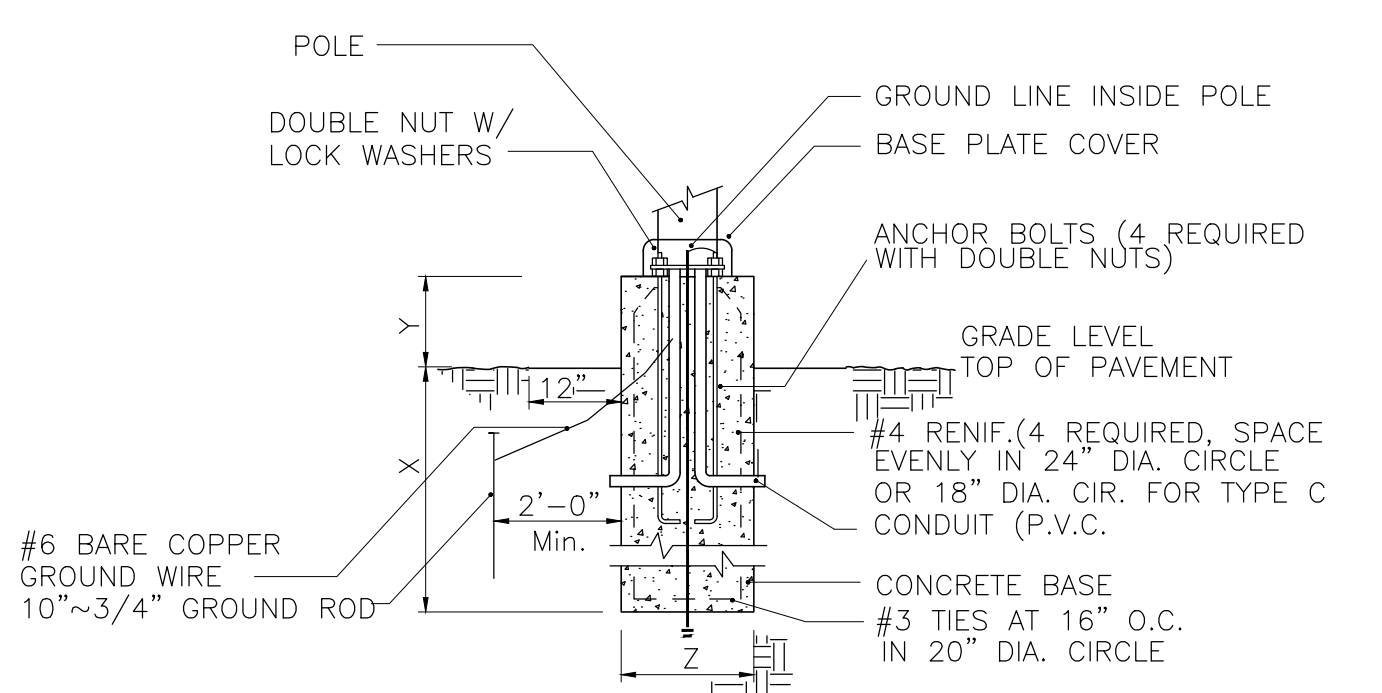
PLAINFIELD, INDIANA

PROJECT NO: 82429.12
DATE ISSUED: 10/18/2024
DESIGNED BY:
DRAWN BY:
CHECKED BY: JGM

SHEET NAME:
PHOTOMETRIC DETAILS

SHEET NO:
C-702

Layout Tab Name: C-702 PHOTOMETRIC DETAILS
Last Saved By: Hadley, 8/15/2024 6:41:21 AM
W:\Sriniv\DE\Ingy\Clients\Indiana Life Science Center\082429 Indiana Life Science Center\4.0 Disciplines\Civil\Cadd\Cad\82429-ITC.dwg Plotted By: Burchnett, Trent Plotted: October 18, 2024, 1:40:56 PM



DIMENSION SCHEDULE

IF LIGHT POLE IS ADJACENT TO VEHICLE PARKING
X 3'-6"
Y 2'-6"
Z 2'-0"

IF LIGHT POLE IS WITHIN LANDSCAPING (NOT ADJACENT TO VEHICLE PARKING)
X 3'-6"
Y 0'-6"
Z 2'-0"

LIGHT POLE BASE DETAIL

