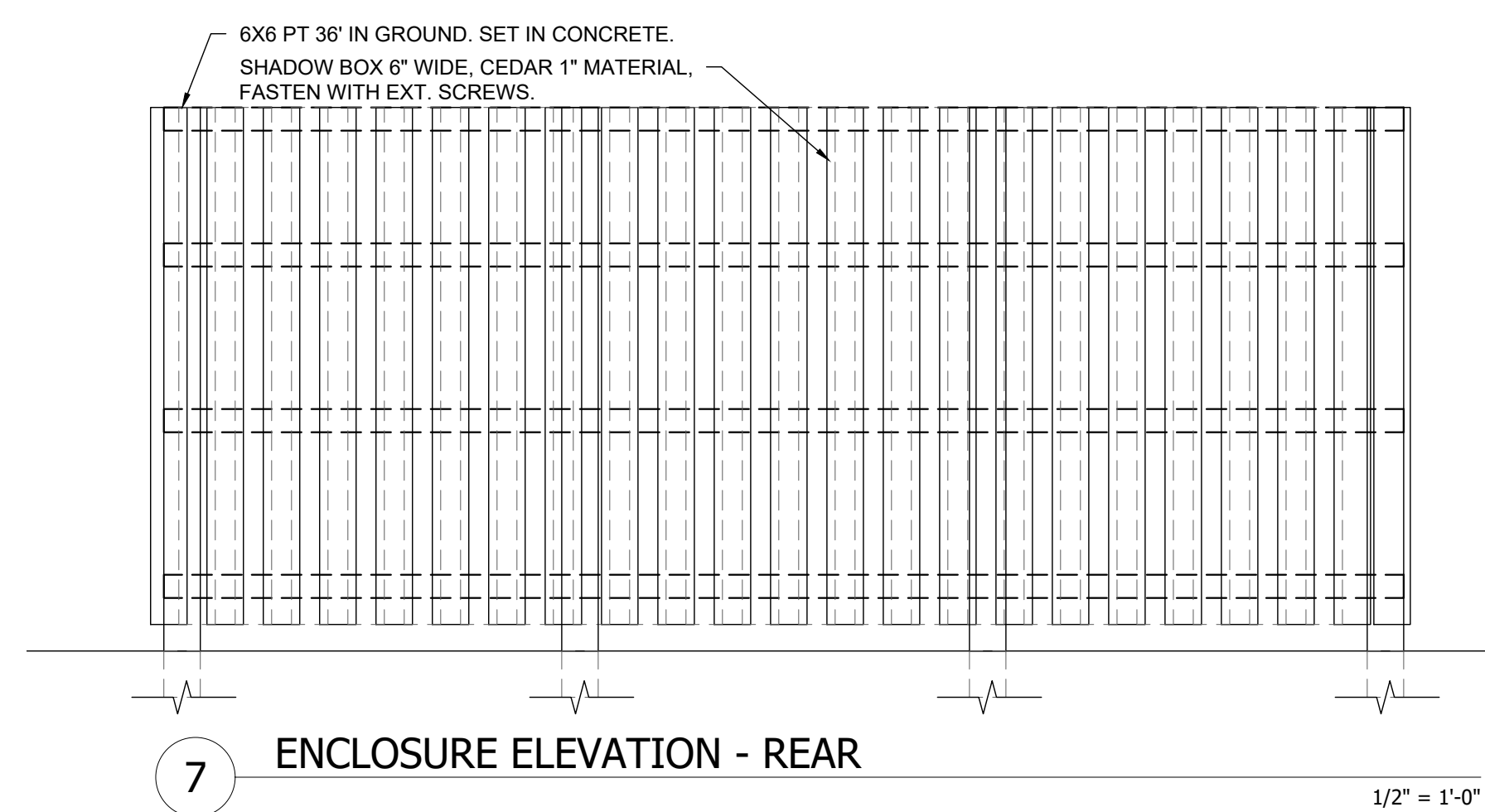
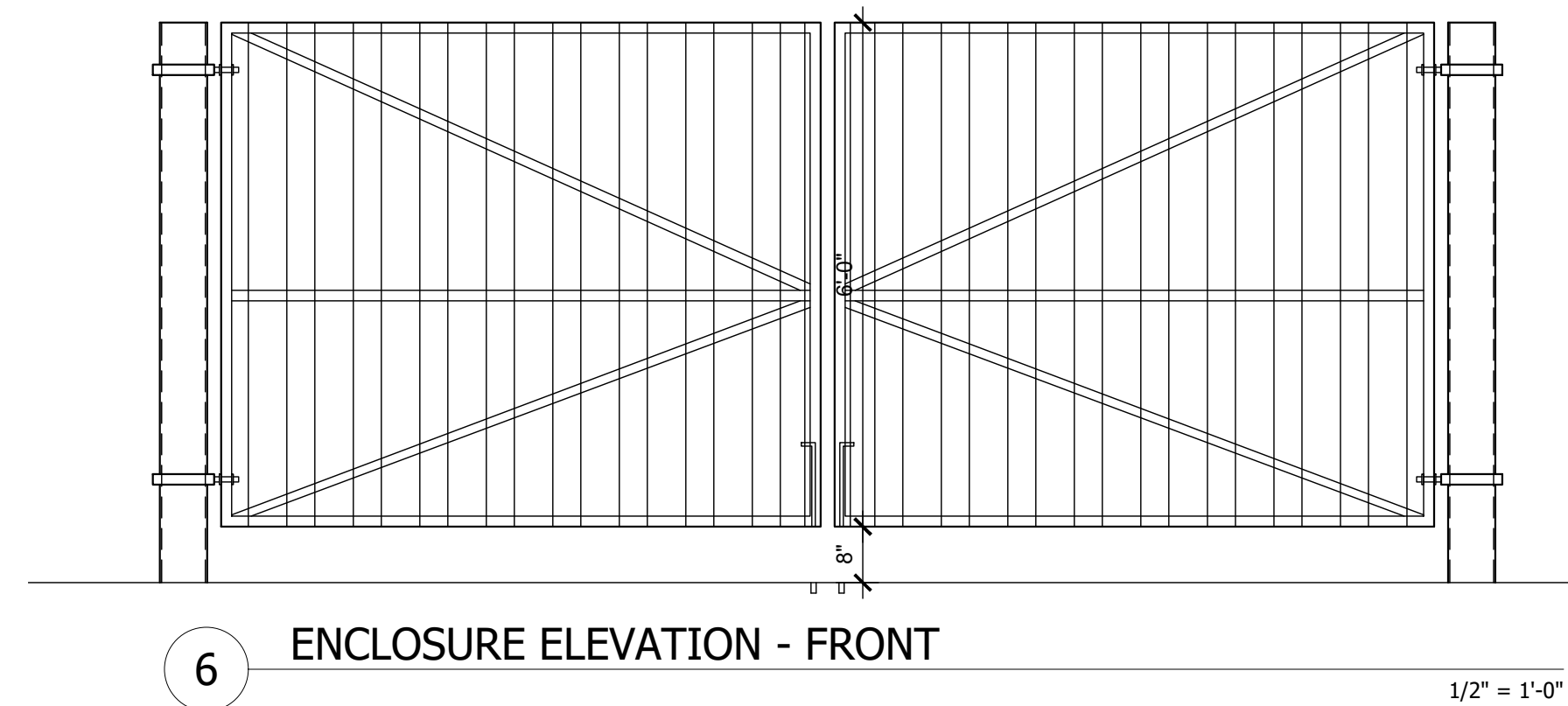


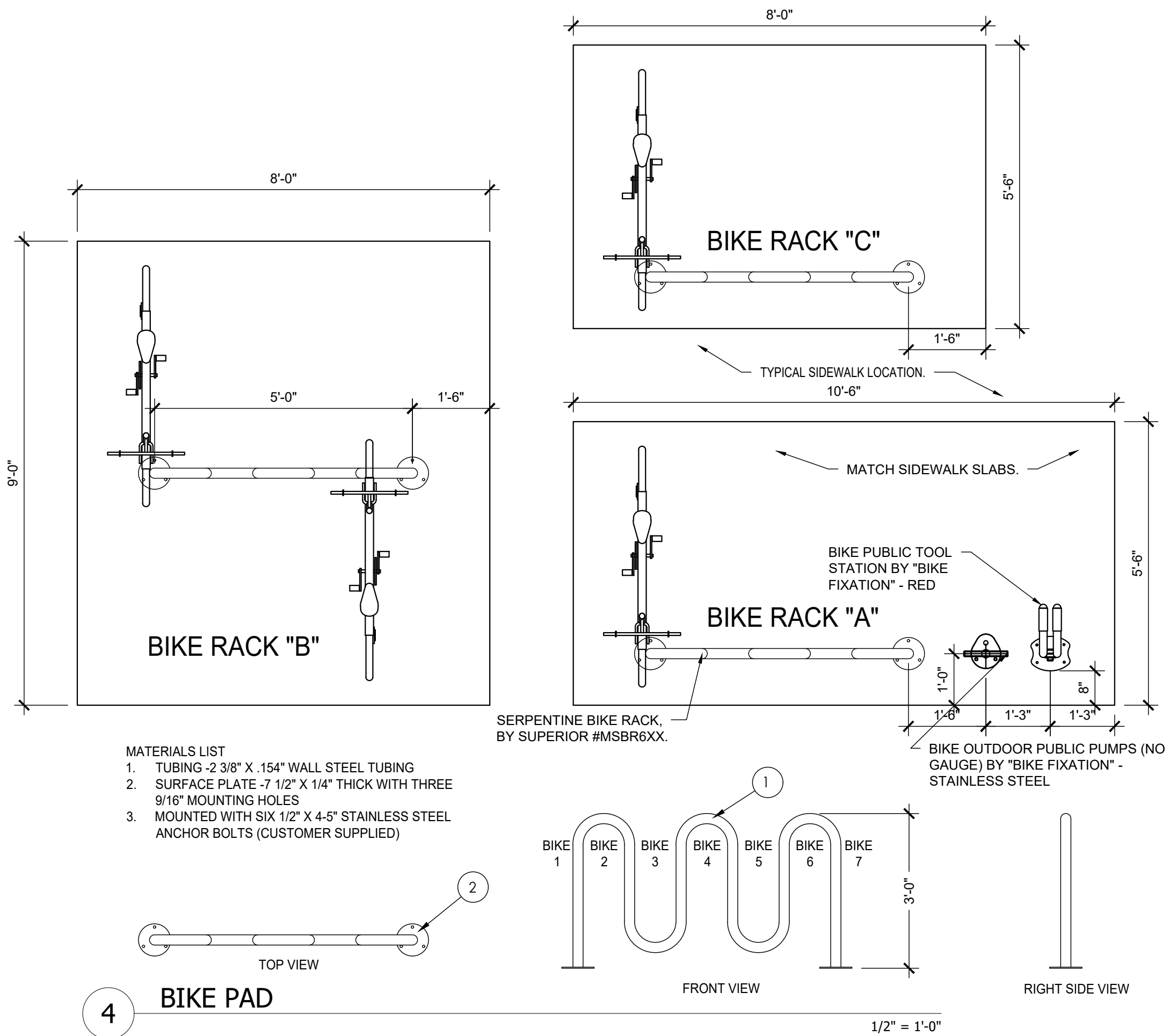
5 CAR CHARGING STATION 1/2" = 1'-0"



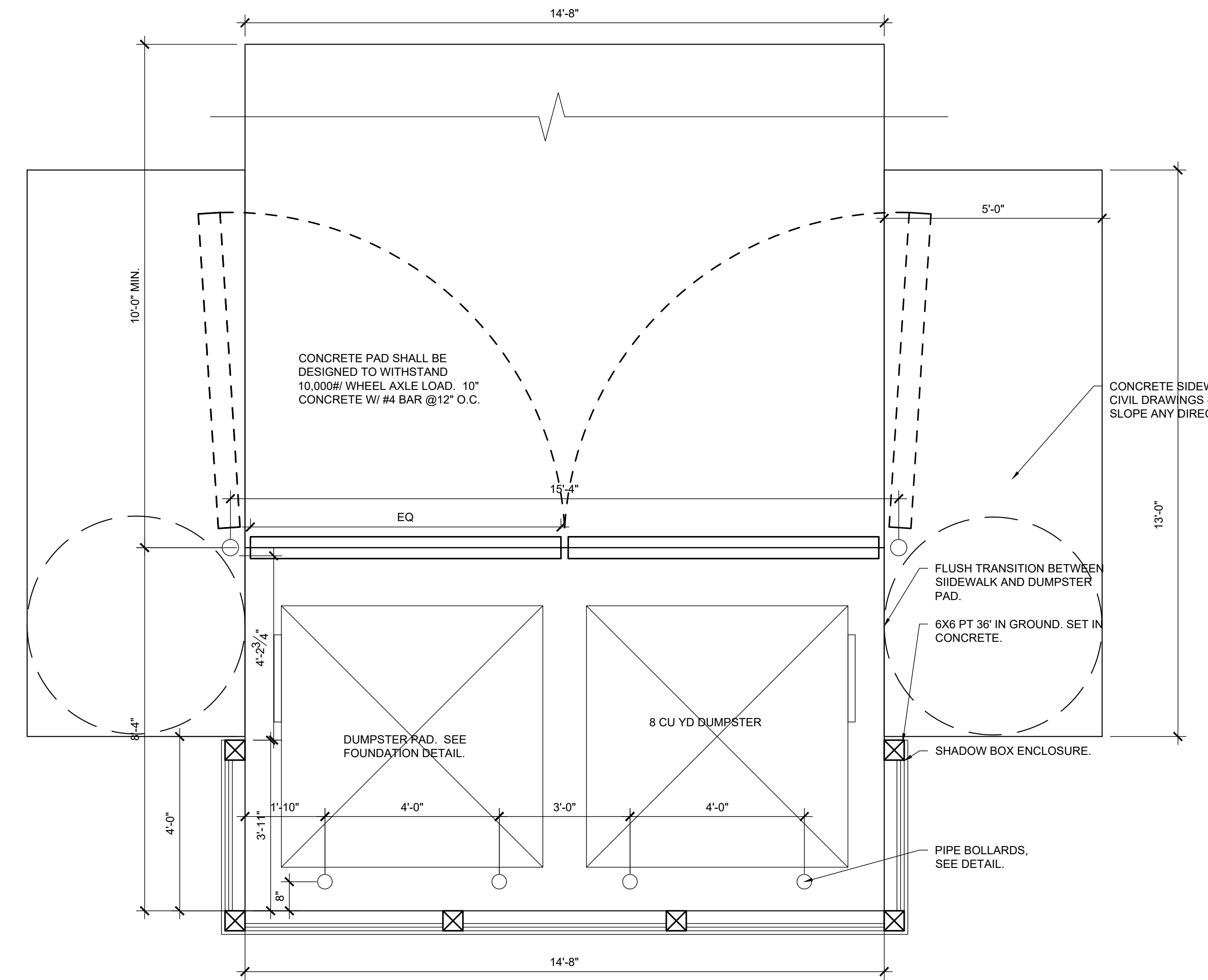
7 ENCLOSURE ELEVATION - REAR 1/2" = 1'-0"



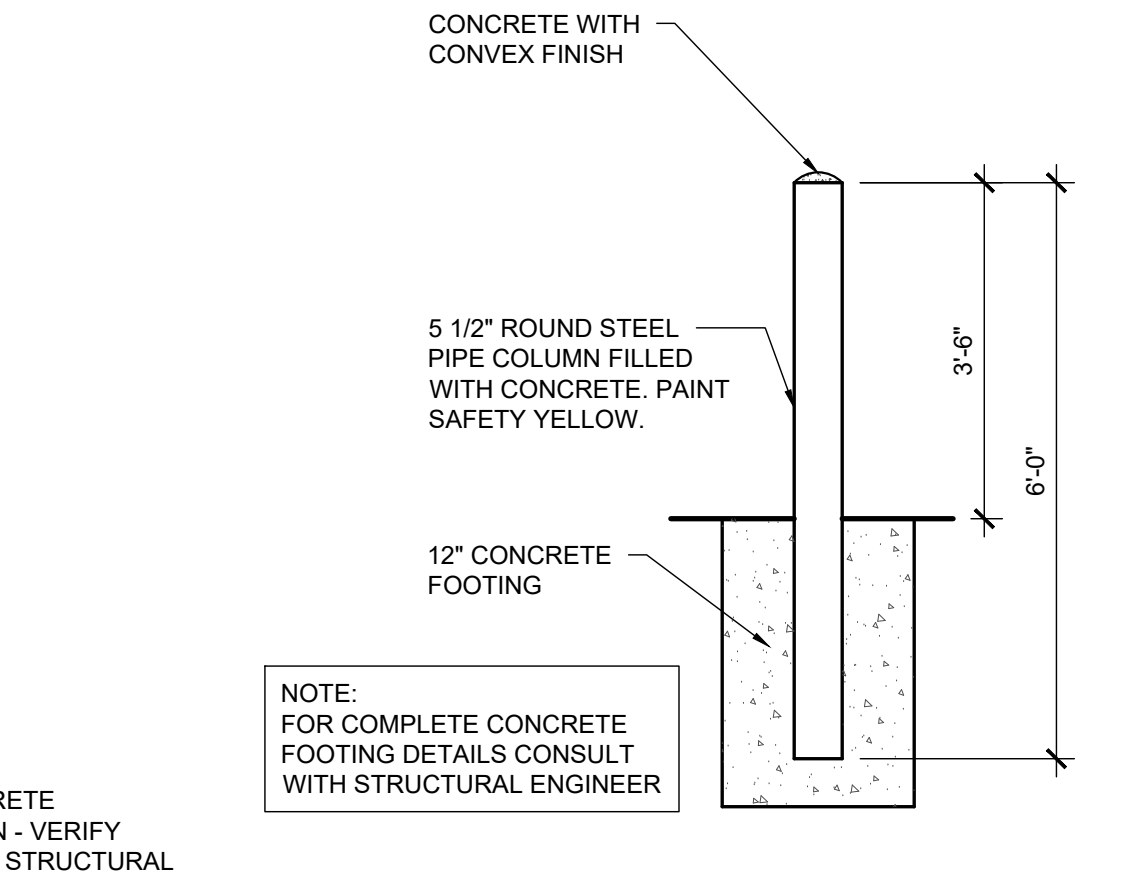
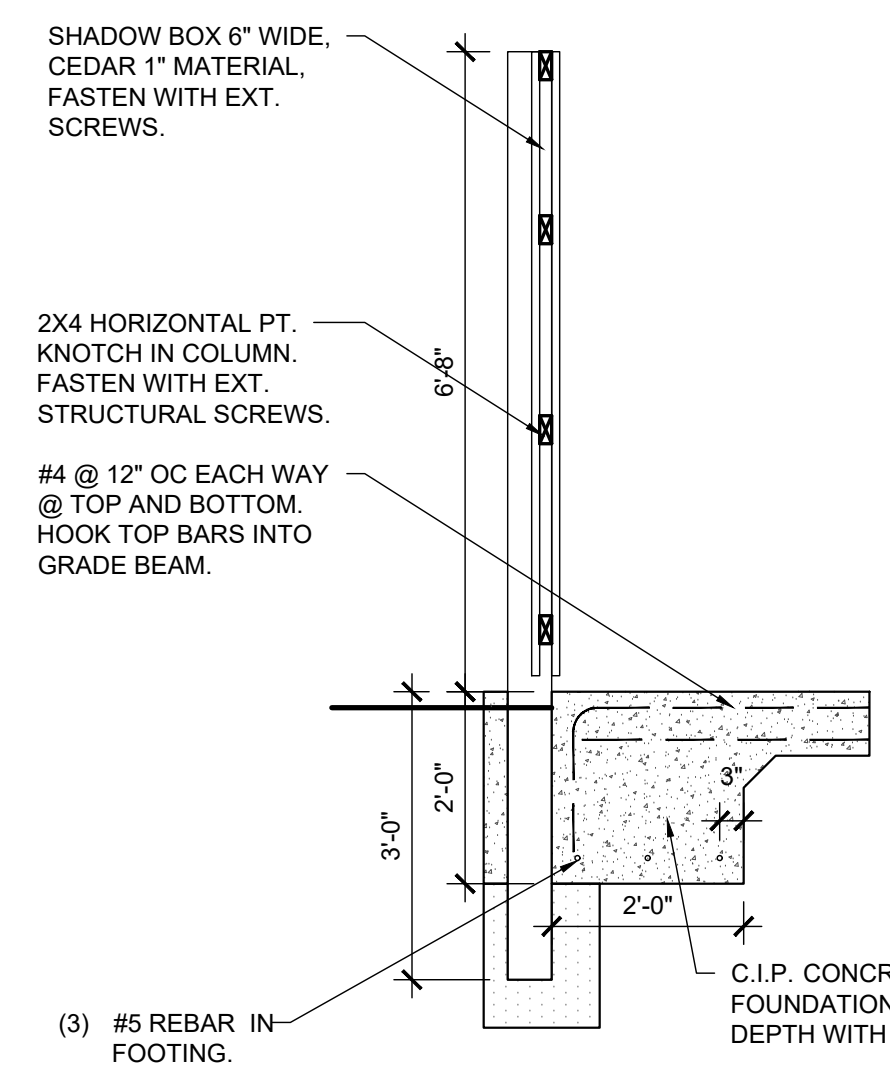
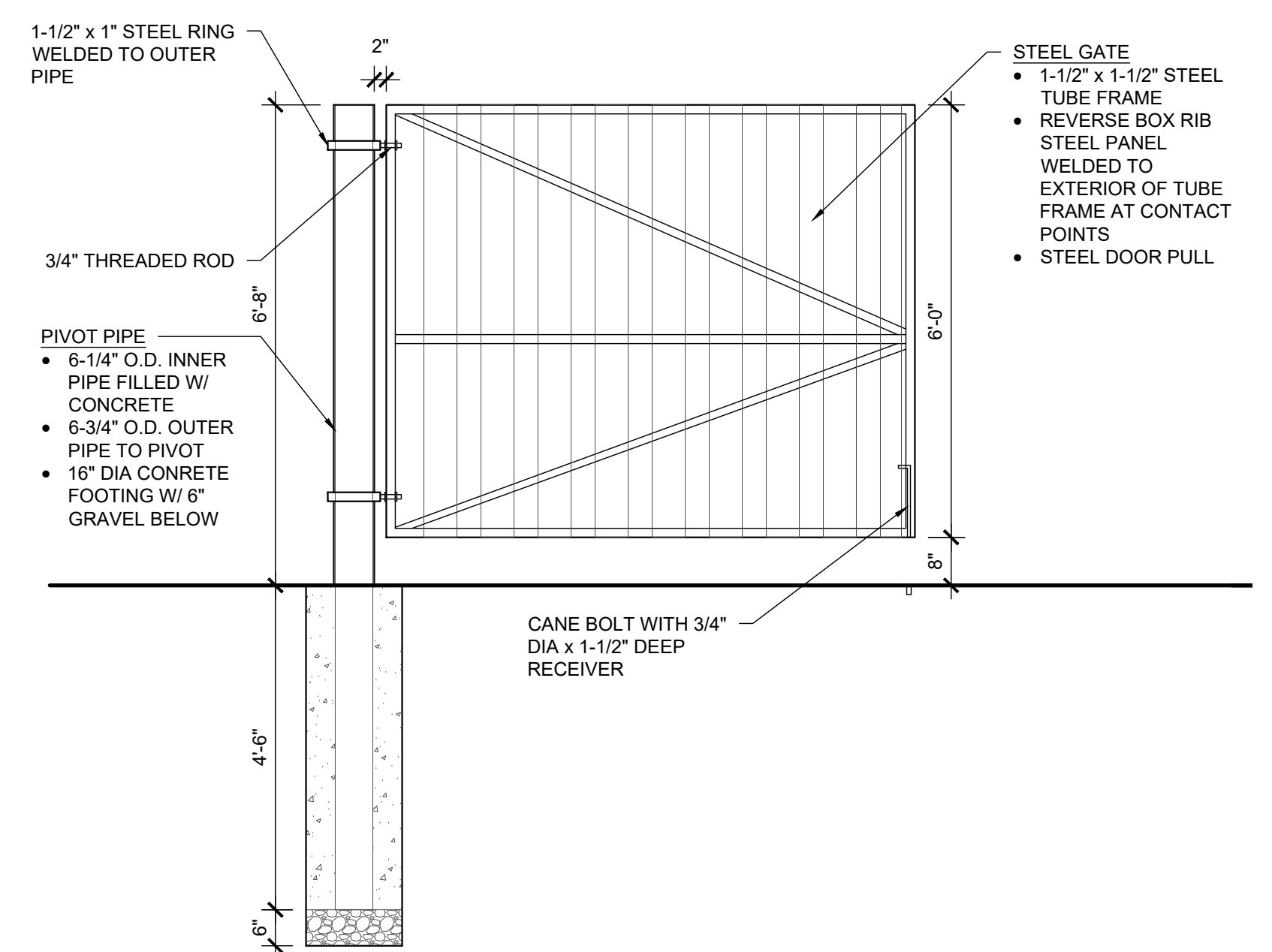
6 ENCLOSURE ELEVATION - FRONT 1/2" = 1'-0"



- MATERIALS LIST**
1. TUBING - 2 3/8" X 1/4" WALL STEEL TUBING
  2. SURFACE PLATE - 7 1/2" X 1/4" THICK WITH THREE 9/16" MOUNTING HOLES
  3. MOUNTED WITH SIX 1/2" X 4-5" STAINLESS STEEL ANCHOR BOLTS (CUSTOMER SUPPLIED)



1 DUMPSTER ENCLOSURE 1/2" = 1'-0"



CLIENT  
**HELIX**  
 EQUIP. LEAD. IMPACT.

HELIX DEVELOPMENT

CONSULTANT  
**R3B**  
 ARCHITECTURE, LLC  
 -CLUBBY & REVIEWS-

INDIANAPOLIS, IN  
 BILLY@R3BARCHITECTURE.COM  
 574-850-2270

DESIGN DEVELOPMENT PER NEW SITE PLAN

MODULAR APARTMENTS  
**PROTOTYPE**  
 AIRTECH PARKWAY  
 PLAINFIELD, IN

ISSUED FOR:	DATE
FACTORY PRICING	12-19-2025
FACTORY PRICING, REVISED	1-29-2026
NEW SITE - DD SET	4-17-2026
FACTORY REVIEW, REVISED	5-15-2026

REVISIONS	DATE

DATE: 6-5-2026  
 DRAWN BY: BP  
 CHECKED BY: BP

SHEET TITLE  
**SITE DETAILS**

SHEET NUMBER  
**A020**