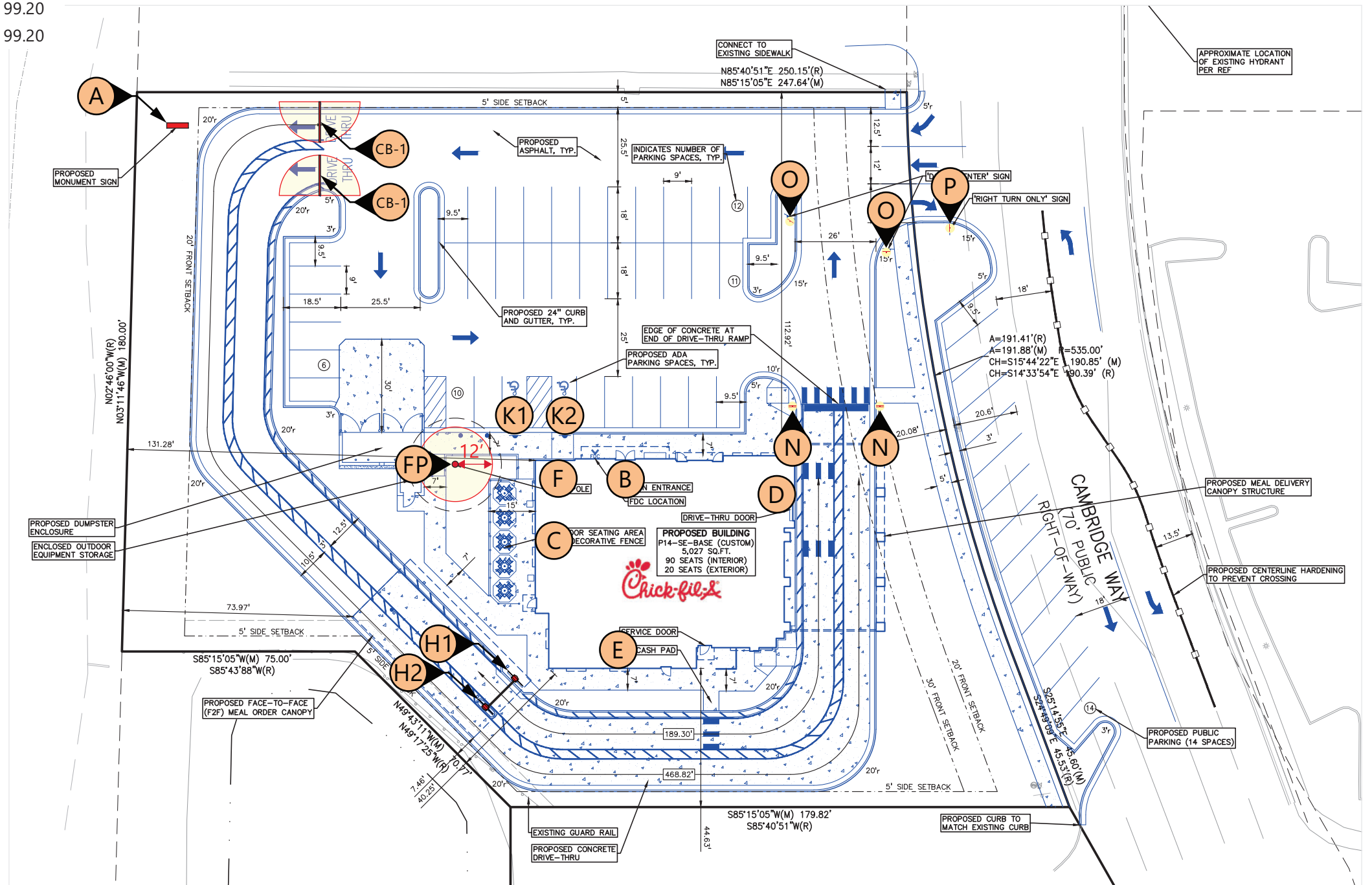


Item	Description	Qty	Sign Area	Allowed
A	Main ID Sign	1	40.00	40.00
B	Wall Sign - Script 5.0' (red)	1	37.71	199.20
C	Wall Sign - Script 5.0' (red)	1	37.71	162.89
D	Wall Sign - Icon 5.0'	1	25.00	165.26
E	Wall Sign - Script 5.0' (red)	1	37.71	199.20
F	Welcome Sign	1	26.01	199.20

Item	Description	Qty
K1	DOT - Handicapped Parking	1
K2	DOT - Handicapped Parking (Van)	1
N	DOT - Stop / Do Not Enter	2
O	DOT - Do Not Enter	2
P	DOT - Right Only	1
H1-H2	Menu Board (Lane 1 and 2)	2
CB-1	Clearance Bar (single) 13.00'	2
FP	Flag pole (30') High Wind	1
	Playground Graphics	1
	Vestibule Graphics	2
	Vinyl Door Graphics	1



5198 North Lake Drive  
 Lake City, GA 30260  
 404.361.3800  
 www.claytonsigns.com

### SITE PLAN

DRAWING FILE - CFA - PLAINFIELD, IN SIGNAGE.CDR

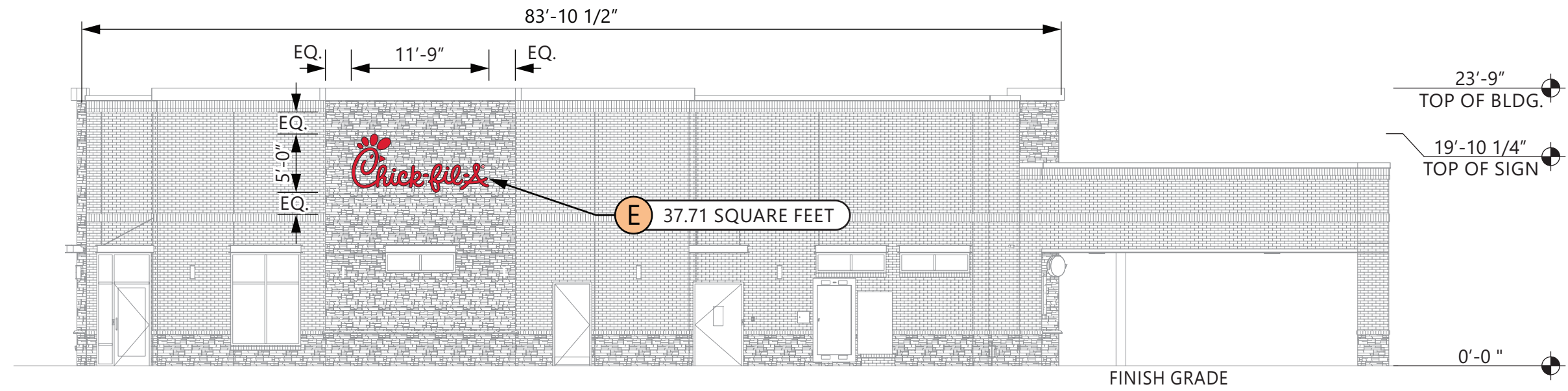
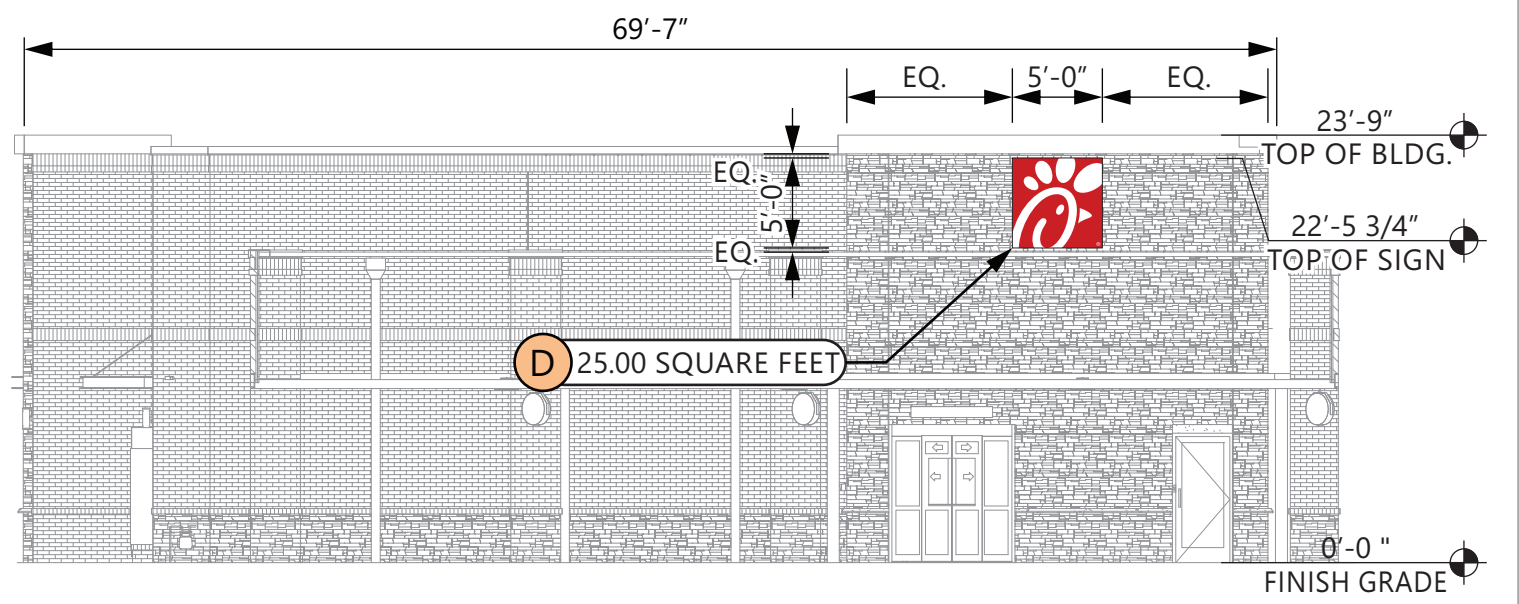
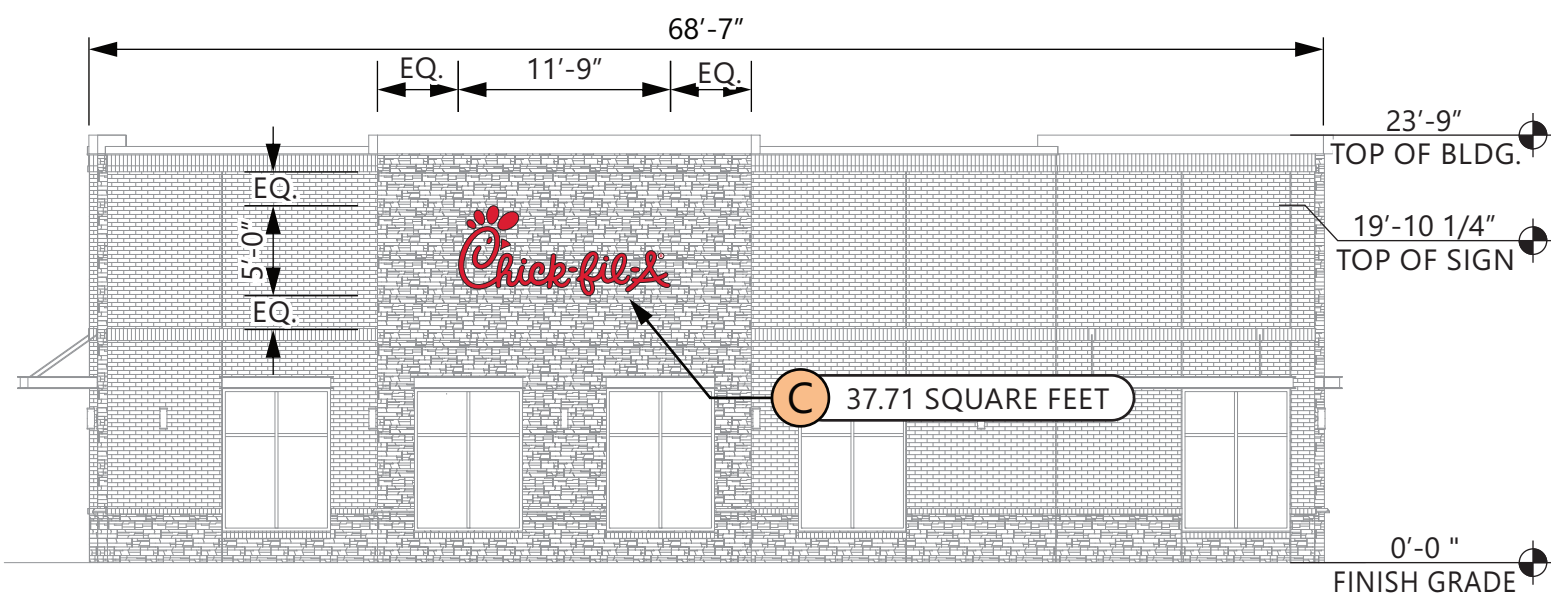
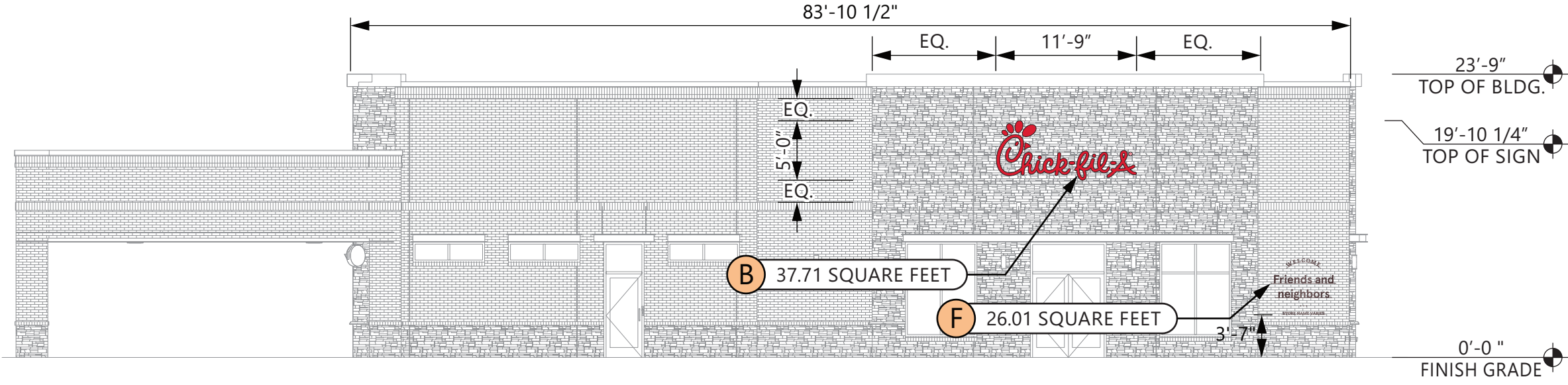
ALL ELECTRICAL  
 SIGNS ARE  
 120 VOLTS  
 UNLESS  
 OTHERWISE INDICATED

DRAWN BY Ben Holliday  
 ACCOUNT REP. Ben Holliday  
 DRAWING DATE December 2, 2022  
 REVISION DATE September 16, 2025

STORE NUMBER	STORE ADDRESS
L05219	Chick-fil-A at Plainfield, IN 6102 Cambridge Way Plainfield, IN 46168

THIS DRAWING IS AN ORIGINAL, UNPUBLISHED DESIGN CREATED BY CLAYTON SIGNS, INC. IT IS NOT TO BE REPRODUCED, CHANGED, OR EXHIBITED TO ANYONE OUTSIDE OF YOUR COMPANY IN WHOLE OR IN PART WITHOUT WRITTEN PERMISSION FROM THE OWNER OF CLAYTON SIGNS, INC. ANY SUCH ACTIONS MAY BE SUBJECT TO LEGAL ACTION IN A COURT OF LAW.  
 ©2022 ALL RIGHTS RESERVED

### SITE PLAN



**ELEVATIONS**

SCALE - 3/32" = 1'- 0"

**ELEVATIONS**

DRAWING FILE - CFA - PLAINFIELD, IN SIGNAGE.CDR

ALL ELECTRICAL  
SIGNS ARE  
120 VOLTS  
UNLESS  
OTHERWISE INDICATED

DRAWN BY Ben Holliday  
ACCOUNT REP. Ben Holliday  
DRAWING DATE December 2, 2022  
REVISION DATE September 16, 2025

STORE NUMBER	STORE ADDRESS
L05219	Chick-fil-A at Plainfield, IN 6102 Cambridge Way Plainfield, IN 46168

THIS DRAWING IS AN ORIGINAL, UNPUBLISHED DESIGN CREATED BY CLAYTON SIGNS, INC. IT IS NOT TO BE REPRODUCED, CHANGED, OR EXHIBITED TO ANYONE OUTSIDE OF YOUR COMPANY IN WHOLE OR IN PART WITHOUT WRITTEN PERMISSION FROM THE OWNER OF CLAYTON SIGNS, INC. ANY SUCH ACTIONS MAY BE SUBJECT TO LEGAL ACTION IN A COURT OF LAW.  
©2022 ALL RIGHTS RESERVED

**BUILDING  
ELEVATIONS**




5198 North Lake Drive  
Lake City, GA 30260  
404.361.3800  
www.claytonsigns.com


# SPECIFICATIONS

SIGN CABINET IS SIGN COMP #2005 EXTRUDED CABINET WITH A SIGN COMP # 2085/2095 BLEED FLEX FACE FRAME  
 CABINET IS INTERNALLY ILLUMINATED WHITE LED 6500K LIGHTS, SPACED EVENLY. PAINT INTERIOR OF CABINETS MATTE WHITE.  
 CLOSED SUNDAY PANEL (IF SHOWN)  
 IS .125" ALUM. ROUTED FACE BACKED ACRYLIC.

READER BOARD CABINET (IF SHOWN)  
 .125" ALUM. FACE PANEL WITH ROUTED OPENING FOR READER BOARD AND COPY READING "CLOSED SUNDAY" APERCU SENTENCE CASE BOLD.  
 HINGED VANDAL COVER FRAME WITH 187" THICK CLEAR POLYCARBONATE FACE WITH INSET .125" #7328 WHITE.  
 READER FACE WITH ZIP TRACK TO ACCOMMODATE WAGNER ZIP LETTER SET THAT INCLUDES FRANKLIN GOTHIC EXTRA CONDENSED UPPERCASE LETTER SET OF 334 CHARACTERS WITH PUNCTUATION MARKS.

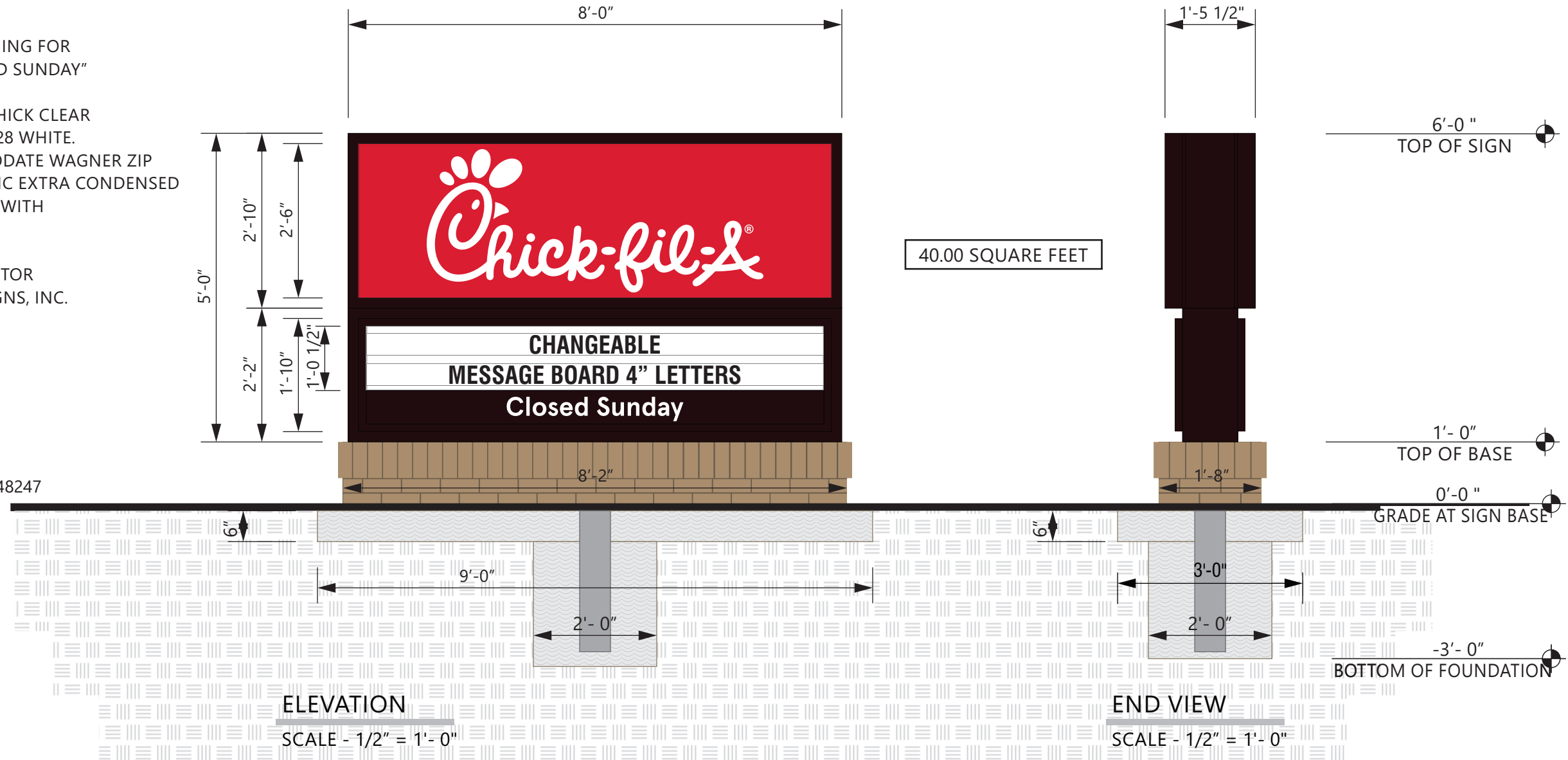
MASONRY WORK BY THE GENERAL CONTRACTOR  
 FOUNDATION IS FURNISHED BY CLAYTON SIGNS, INC.


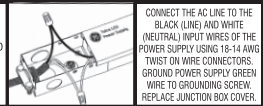
  
 3M #3630-53 TRANSLUCENT CARDINAL RED TENSION FRAME COVER TO BE PAINTED  
 GENESIS M SINGLE STAGE (G2-SERIES) RED #48247

  
 WHITE BLEED 3M PANOGRAPHIC III FLEX FACE  
 W/.125" #7328 WHITE PLEX

  
 PAINTED MATTHEWS #74155 DARK BRONZE, SEMI-GLOSS

  
 MASONRY TO MATCH BUILDING



	<b>DOUBLE FACED CABINET</b> LED's GEWHDS96 - 71K - DOUBLE SIDED POWER SUPPLY GEPS24 - 24V POWER SUPPLY	<b>WET LOCATION</b> CONNECT THE AC LINE TO THE BLACK (LINE) AND WHITE (NEUTRAL) INPUT WIRES OF THE POWER SUPPLY USING 18-14 AWG TWIST ON WIRE CONNECTORS. GROUND POWER SUPPLY GREEN WIRE TO GROUNDING SCREW. REPLACE JUNCTION BOX COVER.
		
THIS SIGN IS INTENDED TO BE INSTALLED IN ACCORDANCE WITH REQUIREMENTS OF ARTICLE 600 OF THE NATIONAL ELECTRICAL CODE AND/OR APPLICABLE LOCAL CODES. THIS INCLUDES PROPER GROUNDING & BONDING OF THE SIGN.		

 5198 North Lake Drive  
 Lake City, GA 30260  
 404.361.3800  
 www.claytonsigns.com

## MONUMENT SIGN

DRAWING FILE - CFA - PLAINFIELD, IN SIGNAGE.CDR

ALL ELECTRICAL SIGNS ARE 120 VOLTS UNLESS OTHERWISE INDICATED

DRAWN BY Ben Holliday  
 ACCOUNT REP. Ben Holliday  
 DRAWING DATE December 2, 2022  
 REVISION DATE September 16, 2025

STORE NUMBER	STORE ADDRESS
L05219	Chick-fil-A at Plainfield, IN 6102 Cambridge Way Plainfield, IN 46168

THIS DRAWING IS AN ORIGINAL, UNPUBLISHED DESIGN CREATED BY CLAYTON SIGNS, INC. IT IS NOT TO BE REPRODUCED, CHANGED, OR EXHIBITED TO ANYONE OUTSIDE OF YOUR COMPANY IN WHOLE OR IN PART WITHOUT WRITTEN PERMISSION FROM THE OWNER OF CLAYTON SIGNS, INC. ANY SUCH ACTIONS MAY BE SUBJECT TO LEGAL ACTION IN A COURT OF LAW.  
 ©2022 ALL RIGHTS RESERVED

LOCATION  
**A**

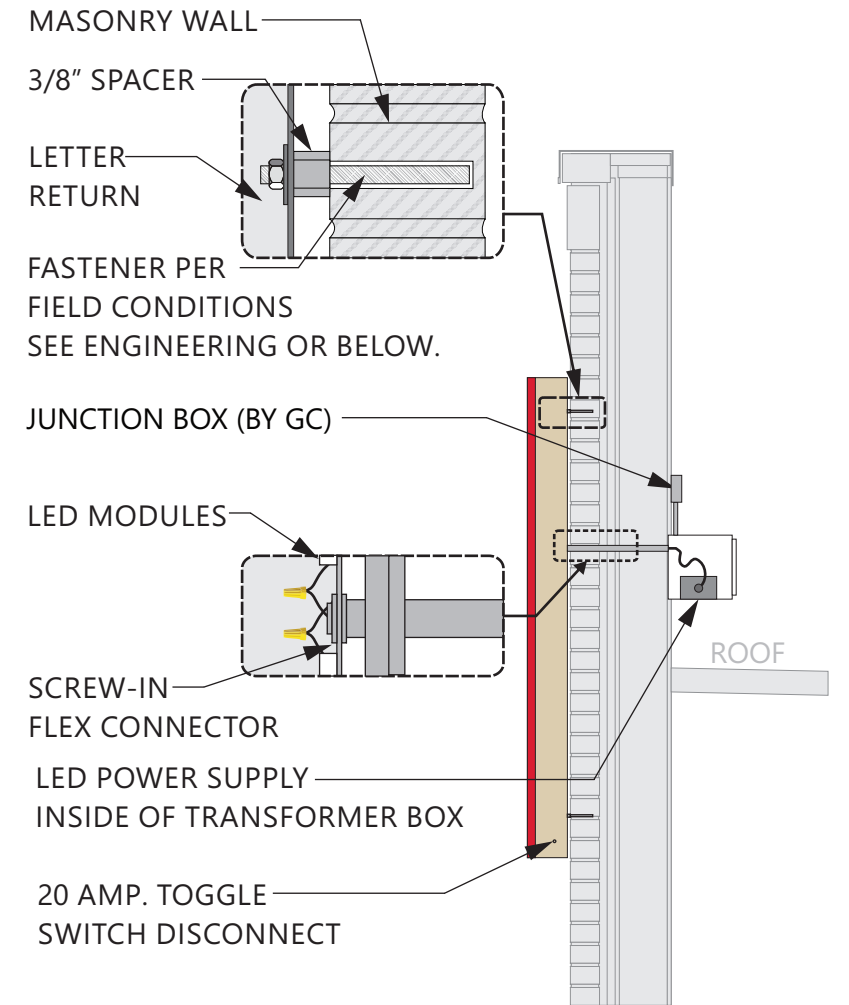
# SPECIFICATIONS

**CHICK-FIL-A SCRIPT LETTERS**  
 LETTERS ARE LED-ILLUMINATED  
 CHANNEL LETTERS MOUNTED  
 ON ALUMINUM SURFACE OF BUILDING  
 WITH TRANSFORMERS REMOTELY  
 LOCATED BEHIND THE WALL IN  
 UL APPROVED TRANSFORMER BOXES.  
 FACES ARE 3/16" ACRYLIC  
 RETURNS ARE .063 ALUMINUM  
 BACKS ARE .080 ALUMINUM  
 ALL RETURNS ARE ARC-WELDED TO  
 LETTER BACKS

-  CHANNEL LETTER FACES  
 2793 RED ACRYLIC  
 TRIMCAP RETAINER-  
 1" RED JEWELITE TRIMCAP
-  ALUMINUM RETURNS  
 PAINTED TO MATCH  
 SHERWIN WILLIAMS  
 SW6108 LATTE




**ELEVATION**  
 SCALE - 1/2" = 1'- 0"



**FASTENER NOTE:**  
 USE 18-8 STAINLESS STEEL BOLTS W/ SPACERS THRU EIFS.  
 EXPANSION BOLTS IN CONCRETE OR BRICK WALLS.  
 TOGGLE BOLTS IN CONCRETE BLOCK OR PANEL WALLS.  
 TEK SCREWS IN METAL STUDS. LAG-BOLTS IN WOOD STUDS.  
 ALL THREAD BOLTS WITH BLOCKING BETWEEN STUDS.

**CROSS-SECTION**  
 SCALE - 1/2" = 1'- 0"

**120 VOLT PRIMARY / 12 VOLT SECONDARY**  
**3 AMPS PER SIGN**  
**PRIMARY WIRING 12 GAUGE WITH 14 GAUGE GROUND**  
**SECONDARY WIRING 18 GAUGE**

 CLAYTON Signs 50 YEARS SINCE 1945	<b>CHANNEL LETTERS (RED ILLUMINATION)</b> LED's JTSL5016R-0.4 RED LED POWER SUPPLY BL-120-12-60 POWER SUPPLY	<b>WET LOCATION</b> CONNECT THE AC LINE TO THE BLACK (LINE) AND WHITE (NEUTRAL) INPUT WIRES OF THE POWER SUPPLY USING 18-14 AWG TWIST ON WIRE CONNECTORS. GROUND POWER SUPPLY GREEN WIRE TO GROUNDING SCREW. REPLACE JUNCTION BOX COVER.
	THIS SIGN IS INTENDED TO BE INSTALLED IN ACCORDANCE WITH REQUIREMENTS OF ARTICLE 600 OF THE NATIONAL ELECTRICAL CODE AND/OR APPLICABLE LOCAL CODES. THIS INCLUDES PROPER GROUNDING & BONDING OF THE SIGN.	

 5198 North Lake Drive  
 Lake City, GA 30260  
 404.361.3800  
 www.claytonsigns.com

**LED-ILLUMINATED  
 CHANNEL LETTERS**

DRAWING FILE - CFA - PLAINFIELD, IN SIGNAGE.CDR

ALL ELECTRICAL  
 SIGNS ARE  
 120 VOLTS  
 UNLESS  
 OTHERWISE INDICATED

DRAWN BY Ben Holliday  
 ACCOUNT REP. Ben Holliday  
 DRAWING DATE December 2, 2022  
 REVISION DATE September 16, 2025

STORE NUMBER	STORE ADDRESS
<b>L05219</b>	Chick-fil-A at Plainfield, IN 6102 Cambridge Way Plainfield, IN 46168

THIS DRAWING IS AN ORIGINAL, UNPUBLISHED DESIGN CREATED BY CLAYTON SIGNS, INC. IT IS NOT TO BE REPRODUCED, CHANGED, OR EXHIBITED TO ANYONE OUTSIDE OF YOUR COMPANY IN WHOLE OR IN PART WITHOUT WRITTEN PERMISSION FROM THE OWNER OF CLAYTON SIGNS, INC. ANY SUCH ACTIONS MAY BE SUBJECT TO LEGAL ACTION IN A COURT OF LAW.  
 ©2022 ALL RIGHTS RESERVED

**LOCATION  
 B,C,E**

# SPECIFICATIONS

## CABINET

ALUMINUM CABINET HAS EXTRUDED ALUMINUM

## FACES

FLEX FACES DECORATED WITH TRANSLUCENT VINYL

FILM ON SURFACE OF ACRYLIC.

INTERNALLY ILLUMINATED WITH WHITE LED 6500K LIGHTS.

DISCONNECT SWITCH AS REQUIRED PER NEC.

## FACES

3M #3630-53 CARDINAL  
RED TRANSLUCENT VINYL

## CABINET

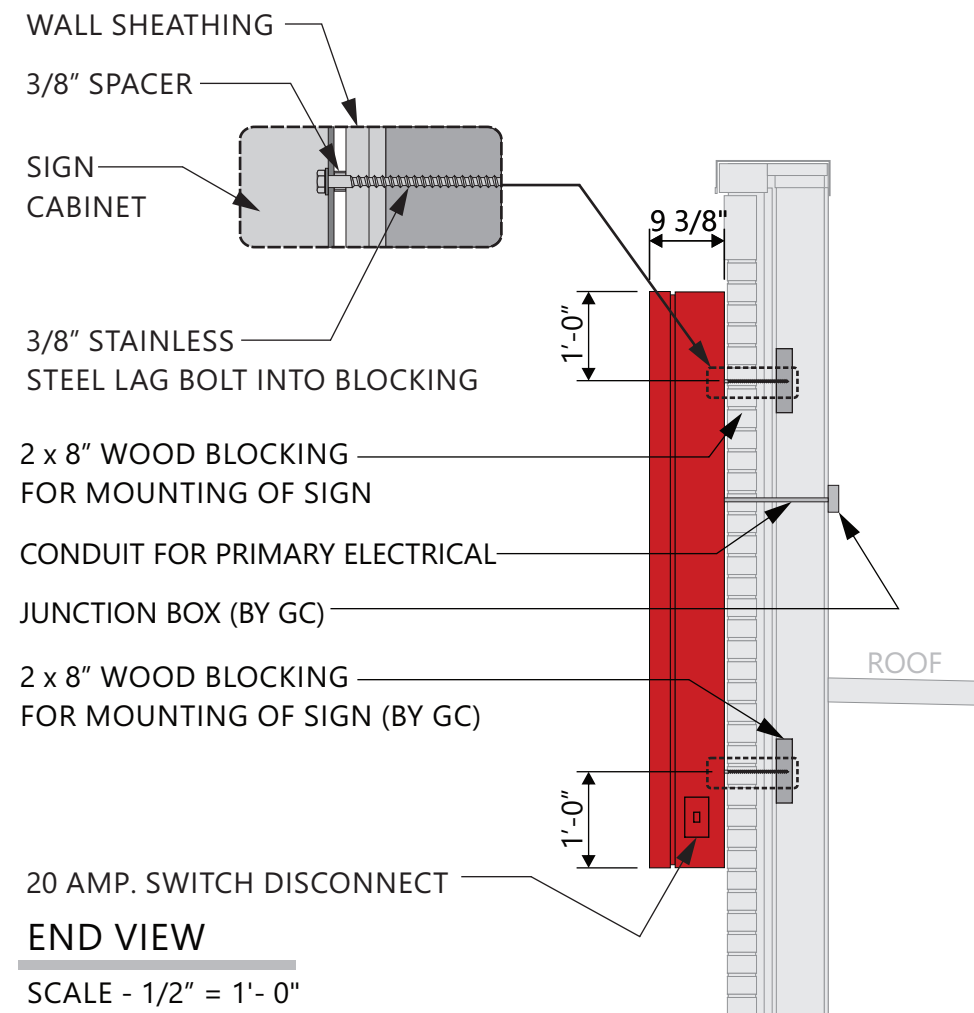
GENESIS M SINGLE STAGE  
(G2-SERIES) RED #48247

3M PANOGRAPHIC III FLEX FACE



## ELEVATION

SCALE - 1/2" = 1'- 0"



## END VIEW

SCALE - 1/2" = 1'- 0"

### FASTENER NOTE:

USE 18-8 STAINLESS STEEL BOLTS W/ SPACERS THRU EIFS.  
EXPANSION BOLTS IN CONCRETE OR BRICK WALLS.  
TOGGLE BOLTS IN CONCRETE BLOCK OR PANEL WALLS.  
TEK SCREWS IN METAL STUDS. LAG-BOLTS IN WOOD STUDS.  
ALL THREAD BOLTS WITH BLOCKING BETWEEN STUDS.

## CROSS-SECTION

SCALE - 1/2" = 1'- 0"

120 VOLT PRIMARY / 12 VOLT SECONDARY  
3 AMPS PER SIGN  
PRIMARY WIRING 12 GAUGE WITH 14 GAUGE GROUND  
SECONDARY WIRING 18 GAUGE

	<b>SINGLE FACED CABINET</b> LED'S GEVHSSPS3 - 71K - SINGLED SID POWER SUPPLY GEPST2 - 12V POWER SUPPLY		<b>WET LOCATION</b> CONNECT THE AC LINE TO THE BLACK (LINE) AND WHITE (NEUTRAL) INPUT WIRES OF THE POWER SUPPLY USING 18-14 AWG TWIST ON WIRE CONNECTORS. GROUND POWER SUPPLY GREEN WIRE TO GROUNDING SCREW. REPLACE JUNCTION BOX COVER.
	THIS SIGN IS INTENDED TO BE INSTALLED IN ACCORDANCE WITH REQUIREMENTS OF ARTICLE 600 OF THE NATIONAL ELECTRICAL CODE AND/OR APPLICABLE LOCAL CODES. THIS INCLUDES PROPER GROUNDING & BONDING OF THE SIGN.		



5198 North Lake Drive  
Lake City, GA 30260  
404.361.3800  
www.claytonsigns.com

## WALL SIGN

DRAWING FILE - CFA - PLAINFIELD, IN SIGNAGE.CDR

ALL ELECTRICAL  
SIGNS ARE  
120 VOLTS  
UNLESS  
OTHERWISE INDICATED

DRAWN BY Ben Holliday  
ACCOUNT REP. Ben Holliday  
DRAWING DATE December 2, 2022  
REVISION DATE September 16, 2025

STORE NUMBER	STORE ADDRESS
L05219	Chick-fil-A at Plainfield, IN 6102 Cambridge Way Plainfield, IN 46168

THIS DRAWING IS AN ORIGINAL, UNPUBLISHED DESIGN CREATED BY CLAYTON SIGNS, INC. IT IS NOT TO BE REPRODUCED, CHANGED, OR EXHIBITED TO ANYONE OUTSIDE OF YOUR COMPANY IN WHOLE OR IN PART WITHOUT WRITTEN PERMISSION FROM THE OWNER OF CLAYTON SIGNS, INC. ANY SUCH ACTIONS MAY BE SUBJECT TO LEGAL ACTION IN A COURT OF LAW.  
©2022 ALL RIGHTS RESERVED

## LOCATION

D

**SPECIFICATIONS**

FLAT CUT-OUT ALUMINUM LETTERS, 1/2" THICK, PIN-MOUNTED TO WALL.

**COLORS**



MATTHEWS PAINT  
EQUUS BRONZE METALLIC  
MP20181



**ELEVATION**  
SCALE - 1" = 1'- 0"

FONTS -  
**APERCU BOLD**  
**CAECILIA COM 85 HEAVY**



5198 North Lake Drive  
Lake City, GA 30260  
404.361.3800  
www.claytonsigns.com

WELCOME WALL SIGN  
DIMENSIONAL GRAPHICS

DRAWING FILE - CFA - PLAINFIELD, IN SIGNAGE.CDR

ALL ELECTRICAL  
SIGNS ARE  
120 VOLTS  
UNLESS  
OTHERWISE INDICATED

DRAWN BY Ben Holliday  
ACCOUNT REP. Ben Holliday  
DRAWING DATE December 2, 2022  
REVISION DATE September 16, 2025

STORE NUMBER	STORE ADDRESS
L05219	Chick-fil-A at Plainfield, IN 6102 Cambridge Way Plainfield, IN 46168

THIS DRAWING IS AN ORIGINAL, UNPUBLISHED DESIGN CREATED BY CLAYTON SIGNS, INC. IT IS NOT TO BE REPRODUCED, CHANGED, OR EXHIBITED TO ANYONE OUTSIDE OF YOUR COMPANY IN WHOLE OR IN PART WITHOUT WRITTEN PERMISSION FROM THE OWNER OF CLAYTON SIGNS, INC. ANY SUCH ACTIONS MAY BE SUBJECT TO LEGAL ACTION IN A COURT OF LAW.  
©2022 ALL RIGHTS RESERVED

LOCATION  
**F**

# SPECIFICATIONS

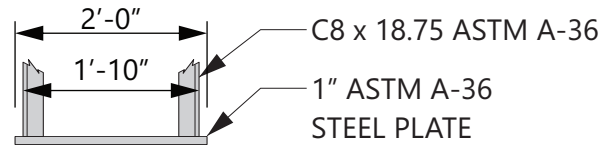
ALUMINUM CONSTRUCTION CABINETS WITH DIGITAL DISPLAY BOARDS WITH STATIC IMAGES.

MENU BOARDS FURNISHED BY COATES GROUP AND INSTALLED BY HONOR BUILT. MENU BOARD COLUMN AND FRAMING FURNISHED BY PATTISON ID. MENU BOARD COLUMN AND FRAMING, ANCHOR CAGES AND FOOTINGS FURNISHED AND INSTALLED BY CLAYTON SIGNS

# COLORS

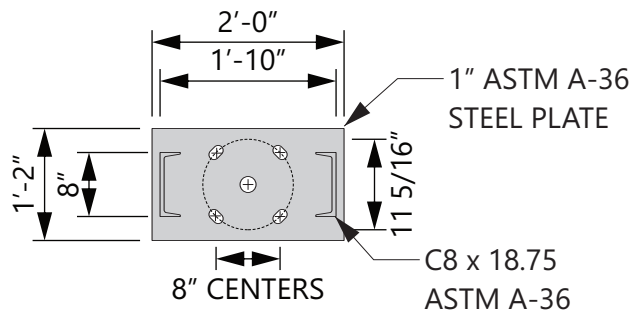
STRUCTURE  
CHICK-FIL-A DARK BRONZE

ORDER HERE  
WHITE REFLECTIVE VINYL FILM



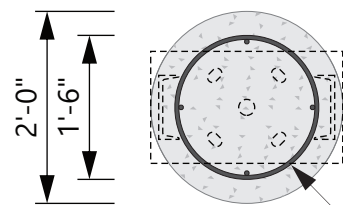
## ELEVATION - BASE PLATE

SCALE - 3/4" = 1'- 0"



## PLAN VIEW - BASE PLATE

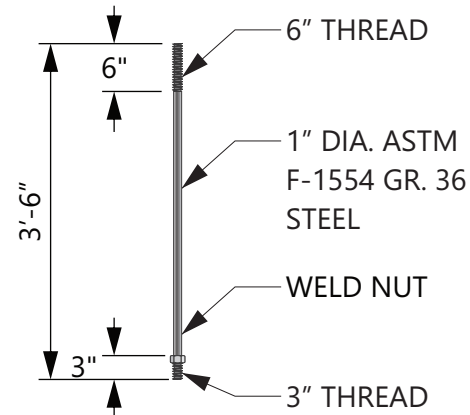
SCALE - 3/4" = 1'- 0"



## PLAN VIEW

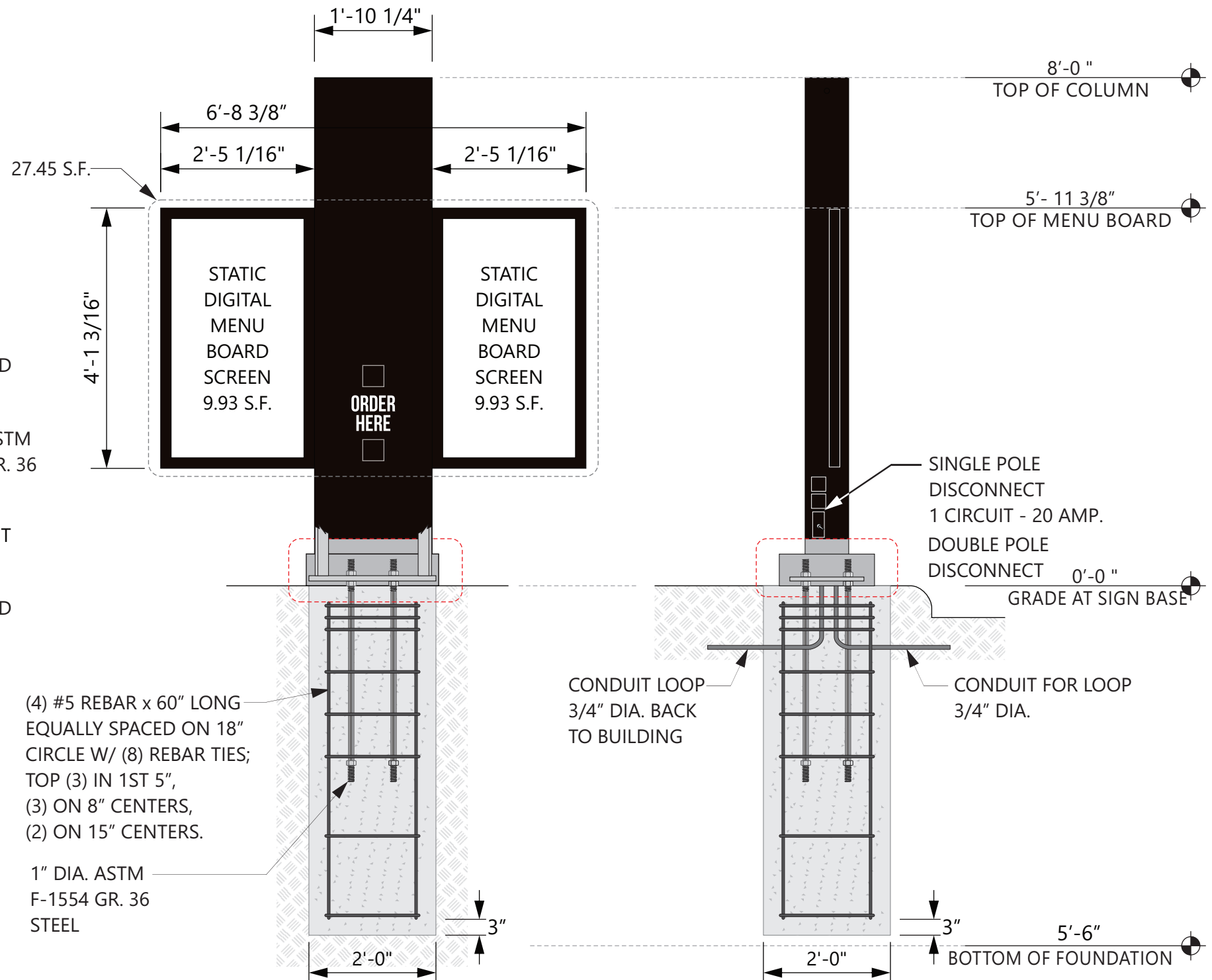
SCALE - 1/2" = 1'- 0"

(4) #5 REBAR x 60" LONG EQUALLY SPACED ON 18" CIRCLE W/ (8) REBAR TIES; TOP (3) IN 1ST 5", (3) ON 8" CENTERS, (2) ON 15" CENTERS.



## BOLT DETAIL

SCALE - 1/2" = 1'- 0"



## ELEVATION

SCALE - 1/2" = 1'- 0"

## END VIEW

SCALE - 1/2" = 1'- 0"



5198 North Lake Drive  
Lake City, GA 30260  
404.361.3800  
www.claytonsigns.com

STATIC DIGITAL DRIVE-THRU  
MENU BOARDS

DRAWING FILE - CFA - PLAINFIELD, IN SIGNAGE.CDR

ALL ELECTRICAL  
SIGNS ARE  
120 VOLTS  
UNLESS  
OTHERWISE INDICATED

DRAWN BY Ben Holliday  
ACCOUNT REP. Ben Holliday  
DRAWING DATE December 2, 2022  
REVISION DATE September 16, 2025

STORE NUMBER	STORE ADDRESS
L05219	Chick-fil-A at Plainfield, IN 6102 Cambridge Way Plainfield, IN 46168

THIS DRAWING IS AN ORIGINAL, UNPUBLISHED DESIGN CREATED BY CLAYTON SIGNS, INC. IT IS NOT TO BE REPRODUCED, CHANGED, OR EXHIBITED TO ANYONE OUTSIDE OF YOUR COMPANY IN WHOLE OR IN PART WITHOUT WRITTEN PERMISSION FROM THE OWNER OF CLAYTON SIGNS, INC. ANY SUCH ACTIONS MAY BE SUBJECT TO LEGAL ACTION IN A COURT OF LAW.  
©2022 ALL RIGHTS RESERVED

LOCATION  
H1/H2

# SPECIFICATIONS

## SIGN PANELS

PANELS ARE .080 ALUMINUM WITH REFLECTIVE BACKGROUND AND GRAPHICS.

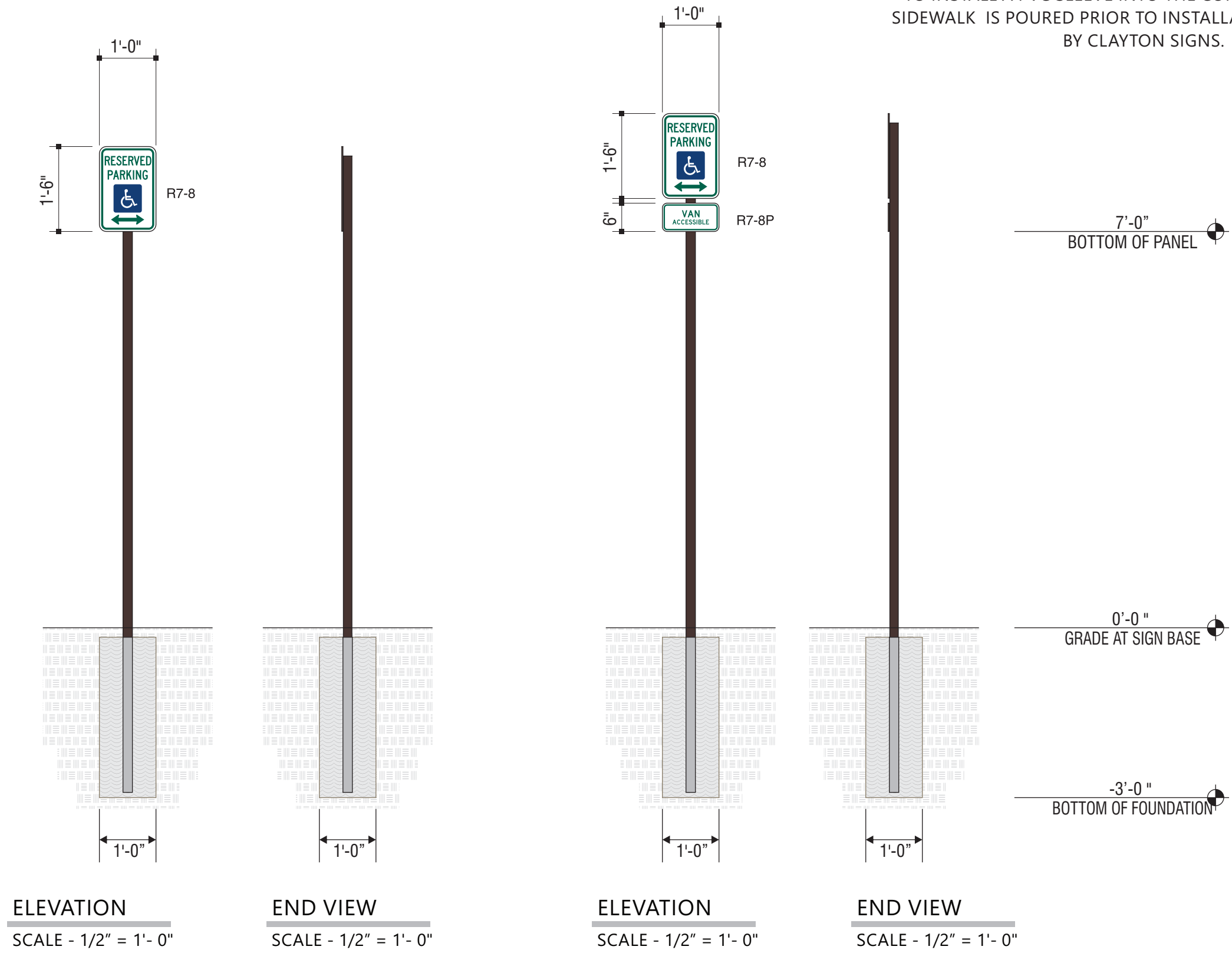
## SIGN POSTS

POSTS ARE 2" x 2" SQUARE ALUMINUM TUBING CAPPED ON TOP



BACK OF SIGN PANEL AND POST  
MP 20181 DARK BRONZE  
SW #DDM460012

NOTE: IF THIS SIGN IS LOCATED ON THE SIDEWALK THEN IT IS THE RESPONSIBILITY OF THE GENERAL CONTRACTOR TO INSTALL A PVC SLEEVE INTO THE CONCRETE WHEN THE SIDEWALK IS POURED PRIOR TO INSTALLATION OF THE SIGN BY CLAYTON SIGNS.



5198 North Lake Drive  
Lake City, GA 30260  
404.361.3800  
www.claytonsigns.com

DOT REGULATORY TRAFFIC SIGNS

DRAWING FILE - CFA - PLAINFIELD, IN SIGNAGE.CDR

ALL ELECTRICAL SIGNS ARE 120 VOLTS UNLESS OTHERWISE INDICATED

DRAWN BY Ben Holliday  
ACCOUNT REP. Ben Holliday  
DRAWING DATE December 2, 2022  
REVISION DATE September 16, 2025

STORE NUMBER	STORE ADDRESS
L05219	Chick-fil-A at Plainfield, IN 6102 Cambridge Way Plainfield, IN 46168

THIS DRAWING IS AN ORIGINAL, UNPUBLISHED DESIGN CREATED BY CLAYTON SIGNS, INC. IT IS NOT TO BE REPRODUCED, CHANGED, OR EXHIBITED TO ANYONE OUTSIDE OF YOUR COMPANY IN WHOLE OR IN PART WITHOUT WRITTEN PERMISSION FROM THE OWNER OF CLAYTON SIGNS, INC. ANY SUCH ACTIONS MAY BE SUBJECT TO LEGAL ACTION IN A COURT OF LAW.  
©2022 ALL RIGHTS RESERVED

LOCATION  
K1/K2

# SPECIFICATIONS

## SIGN PANELS

PANELS ARE .080 ALUMINUM WITH REFLECTIVE BACKGROUND AND GRAPHICS.

## SIGN POSTS

POSTS ARE 2" x 2" SQUARE ALUMINUM TUBING CAPPED ON TOP



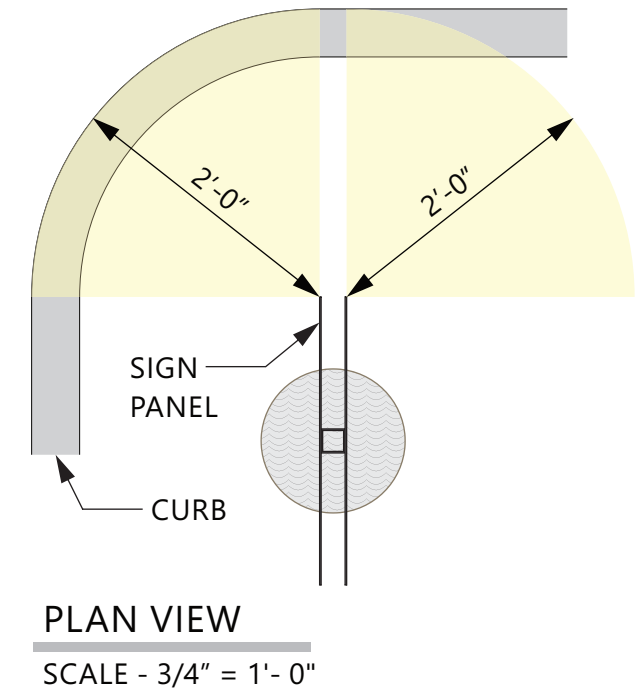
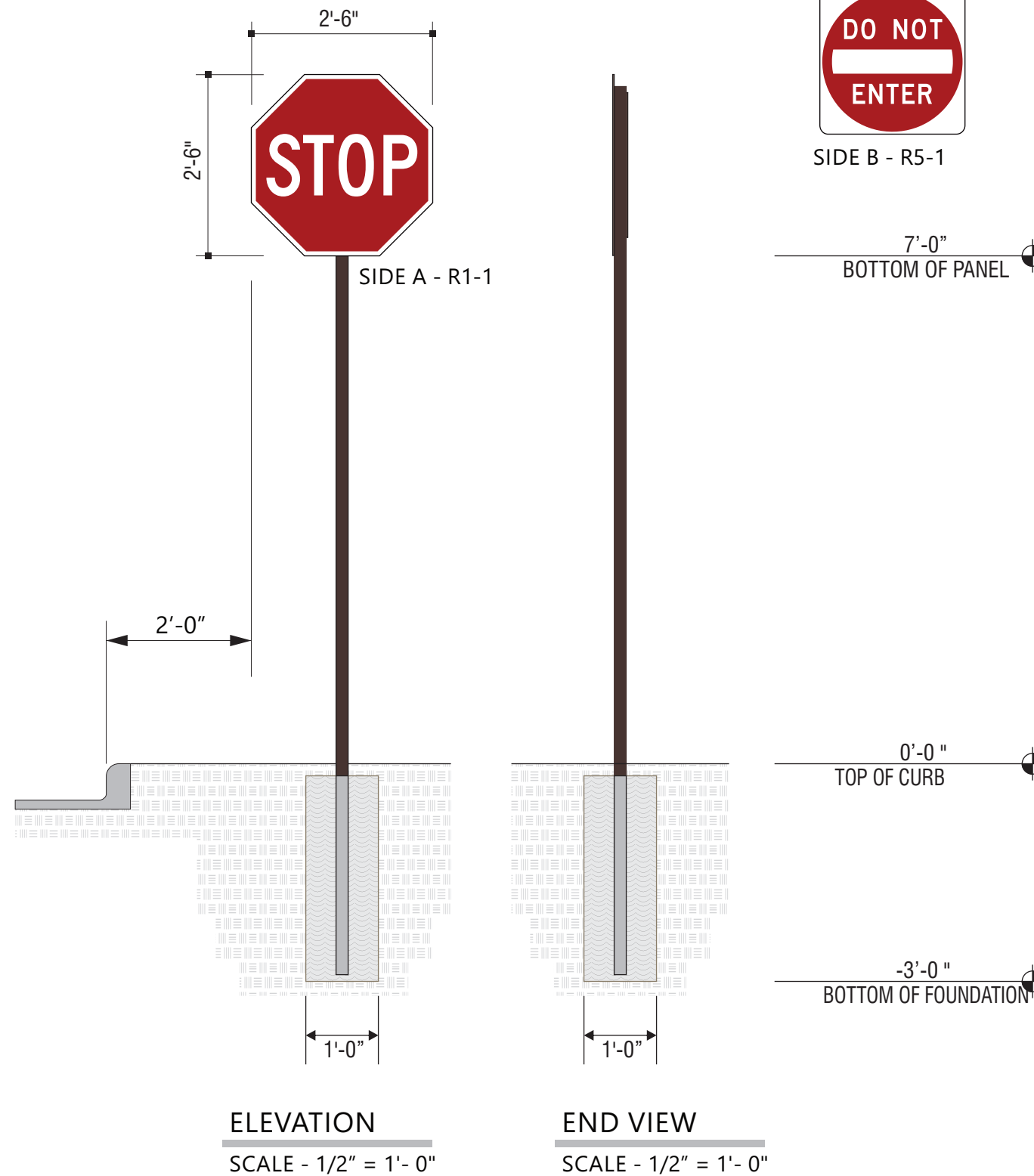
**SIGN PANEL**  
3M #680-82 REFLECTIVE RED.



**SIGN PANEL**  
3M #680-10 REFLECTIVE WHITE



**BACK OF SIGN PANEL AND POST**  
MP 20181 DARK BRONZE  
SW #DDM460012



5198 North Lake Drive  
Lake City, GA 30260  
404.361.3800  
www.claytonsigns.com

DOT REGULATORY TRAFFIC SIGNS

DRAWING FILE - CFA - PLAINFIELD, IN SIGNAGE.CDR

ALL ELECTRICAL  
SIGNS ARE  
120 VOLTS  
UNLESS  
OTHERWISE INDICATED

DRAWN BY Ben Holliday  
ACCOUNT REP. Ben Holliday  
DRAWING DATE December 2, 2022  
REVISION DATE September 16, 2025

STORE NUMBER	STORE ADDRESS
L05219	Chick-fil-A at Plainfield, IN 6102 Cambridge Way Plainfield, IN 46168

THIS DRAWING IS AN ORIGINAL, UNPUBLISHED DESIGN CREATED BY CLAYTON SIGNS, INC. IT IS NOT TO BE REPRODUCED, CHANGED, OR EXHIBITED TO ANYONE OUTSIDE OF YOUR COMPANY IN WHOLE OR IN PART WITHOUT WRITTEN PERMISSION FROM THE OWNER OF CLAYTON SIGNS, INC. ANY SUCH ACTIONS MAY BE SUBJECT TO LEGAL ACTION IN A COURT OF LAW.  
©2022 ALL RIGHTS RESERVED

LOCATION  
N

# SPECIFICATIONS

## SIGN PANELS

PANELS ARE .080 ALUMINUM WITH REFLECTIVE BACKGROUND AND GRAPHICS.

## SIGN POSTS

POSTS ARE 2" x 2" SQUARE ALUMINUM TUBING CAPPED ON TOP



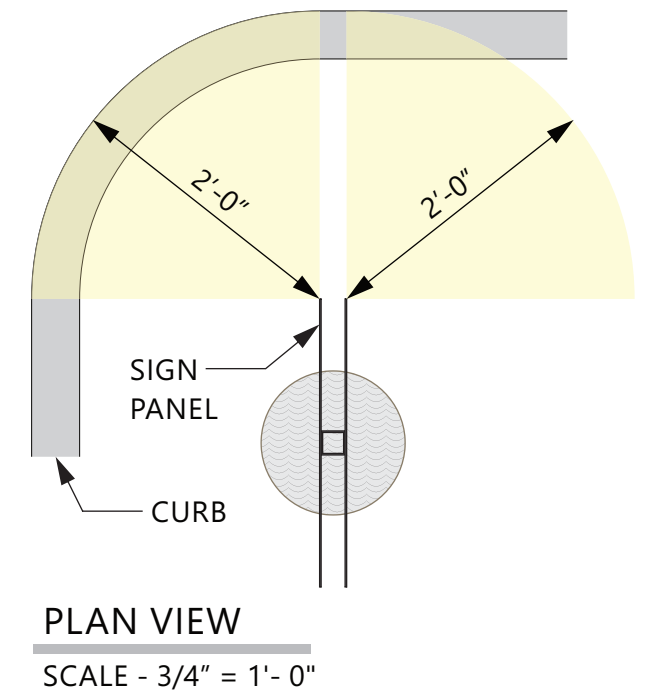
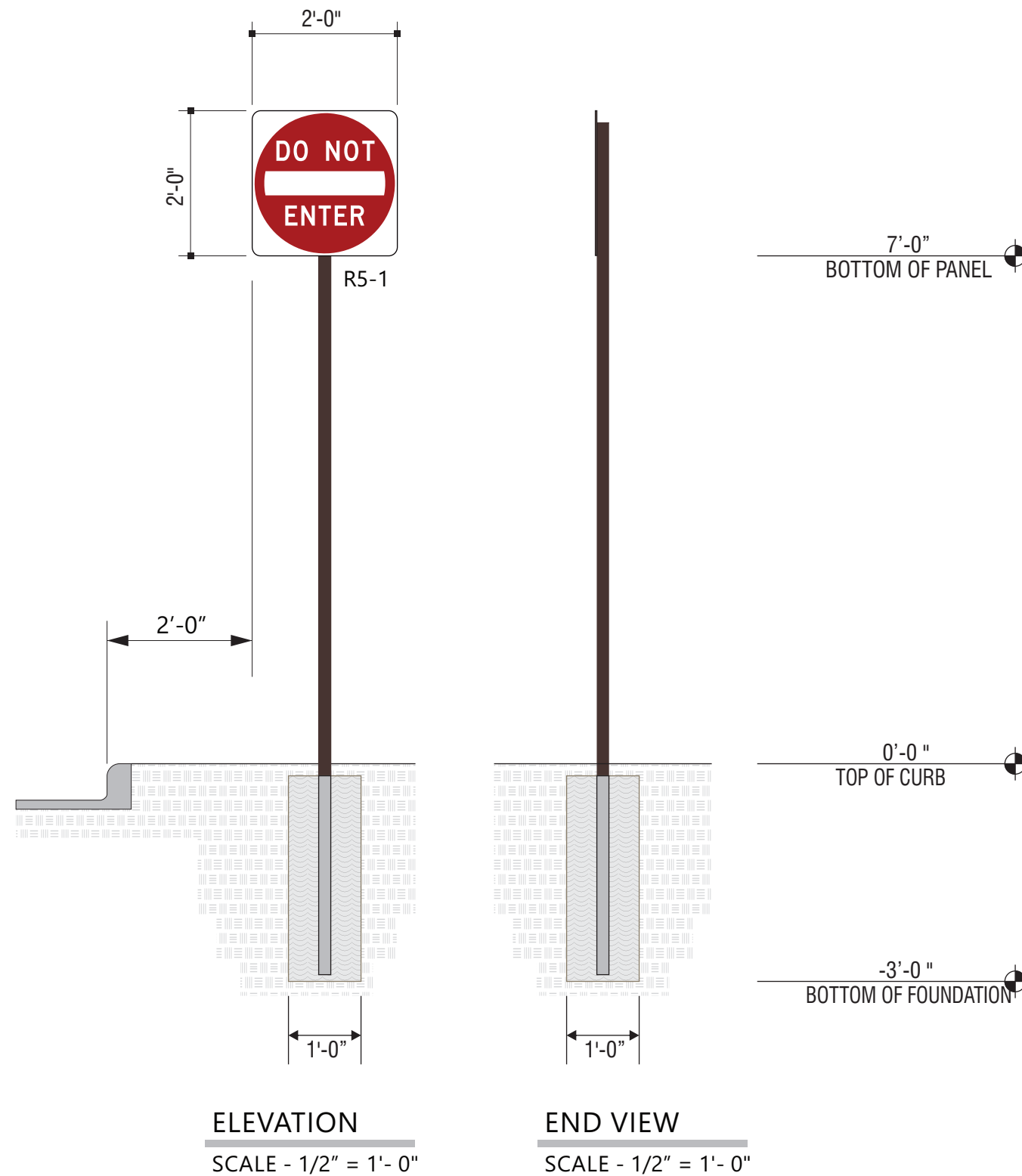
**SIGN PANEL**  
3M #680-82 REFLECTIVE RED.



**SIGN PANEL**  
3M #680-10 REFLECTIVE WHITE



**BACK OF SIGN PANEL AND POST**  
MP 20181 DARK BRONZE  
SW #DDM460012



5198 North Lake Drive  
Lake City, GA 30260  
404.361.3800  
www.claytonsigns.com

DOT REGULATORY TRAFFIC SIGNS

DRAWING FILE - CFA - PLAINFIELD, IN SIGNAGE.CDR

ALL ELECTRICAL  
SIGNS ARE  
120 VOLTS  
UNLESS  
OTHERWISE INDICATED

DRAWN BY Ben Holliday  
ACCOUNT REP. Ben Holliday  
DRAWING DATE December 2, 2022  
REVISION DATE September 16, 2025

STORE NUMBER	STORE ADDRESS
L05219	Chick-fil-A at Plainfield, IN 6102 Cambridge Way Plainfield, IN 46168

THIS DRAWING IS AN ORIGINAL, UNPUBLISHED DESIGN CREATED BY CLAYTON SIGNS, INC. IT IS NOT TO BE REPRODUCED, CHANGED, OR EXHIBITED TO ANYONE OUTSIDE OF YOUR COMPANY IN WHOLE OR IN PART WITHOUT WRITTEN PERMISSION FROM THE OWNER OF CLAYTON SIGNS, INC. ANY SUCH ACTIONS MAY BE SUBJECT TO LEGAL ACTION IN A COURT OF LAW.  
©2022 ALL RIGHTS RESERVED

LOCATION



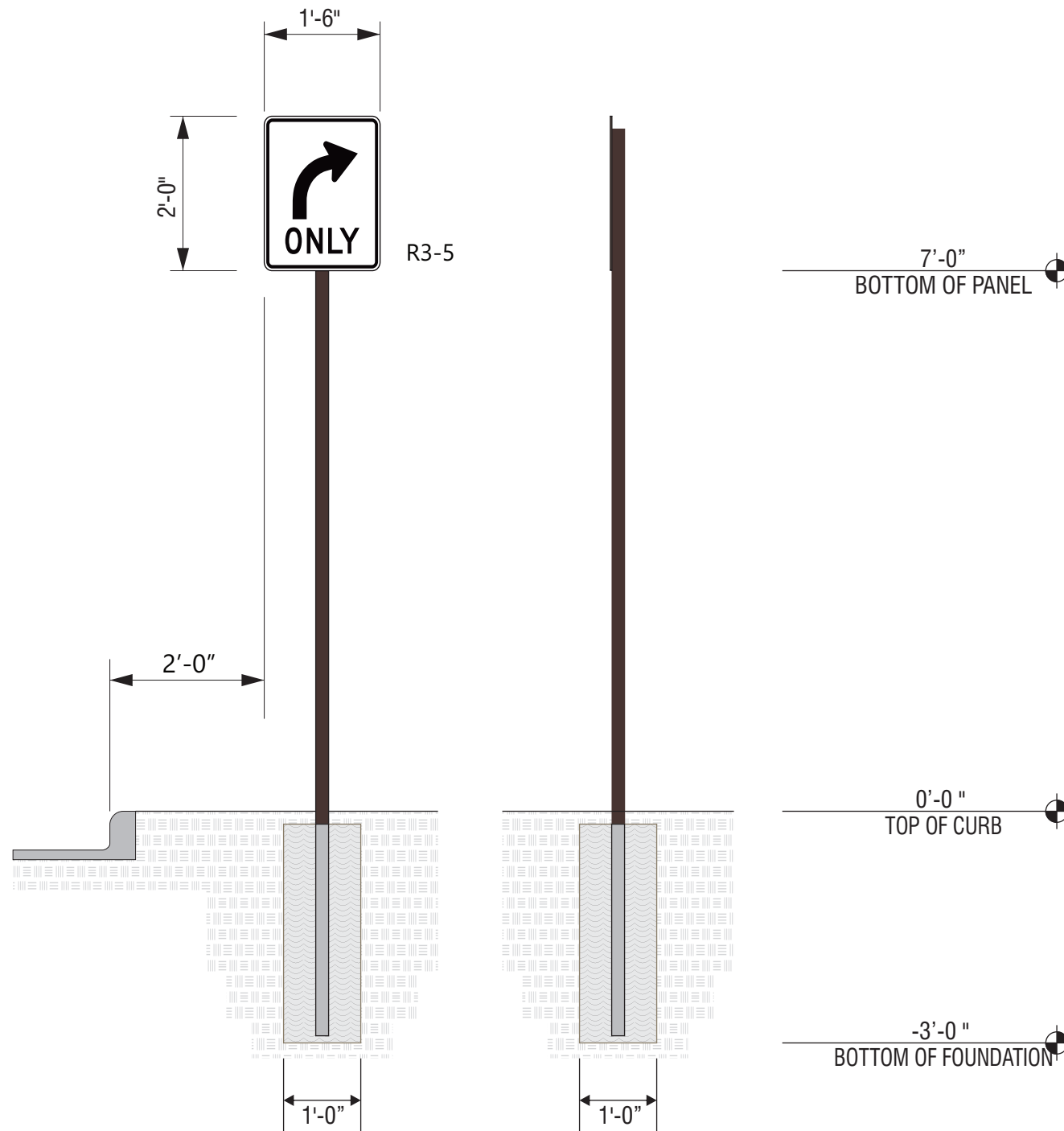
# SPECIFICATIONS

## SIGN PANELS

PANELS ARE .080 ALUMINUM WITH REFLECTIVE BACKGROUND AND GRAPHICS.

## SIGN POSTS

POSTS ARE 2" x 2" SQUARE ALUMINUM TUBING CAPPED ON TOP

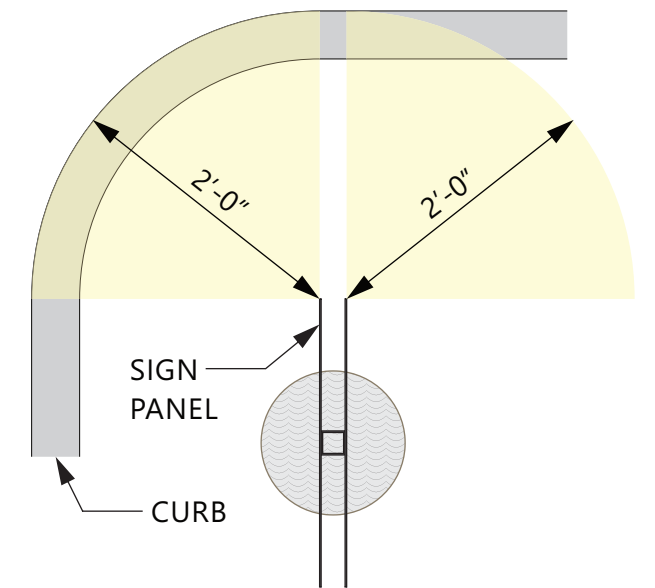


**ELEVATION**

SCALE - 1/2" = 1'- 0"

**END VIEW**

SCALE - 1/2" = 1'- 0"



**PLAN VIEW**

SCALE - 3/4" = 1'- 0"

**SIGN PANEL**

3M #680-10 REFLECTIVE WHITE

**BACK OF SIGN PANEL AND POST**

MP 20181 DARK BRONZE

SW #DDM460012

**SIGN PANEL (IF SHOWN)**

BLACK REFLECTIVE



5198 North Lake Drive  
Lake City, GA 30260  
404.361.3800  
www.claytonsigns.com

DOT REGULATORY TRAFFIC SIGNS

DRAWING FILE - CFA - PLAINFIELD, IN SIGNAGE.CDR

ALL ELECTRICAL SIGNS ARE 120 VOLTS UNLESS OTHERWISE INDICATED

DRAWN BY Ben Holliday  
ACCOUNT REP. Ben Holliday  
DRAWING DATE December 2, 2022  
REVISION DATE September 16, 2025

STORE NUMBER STORE ADDRESS

**L05219**

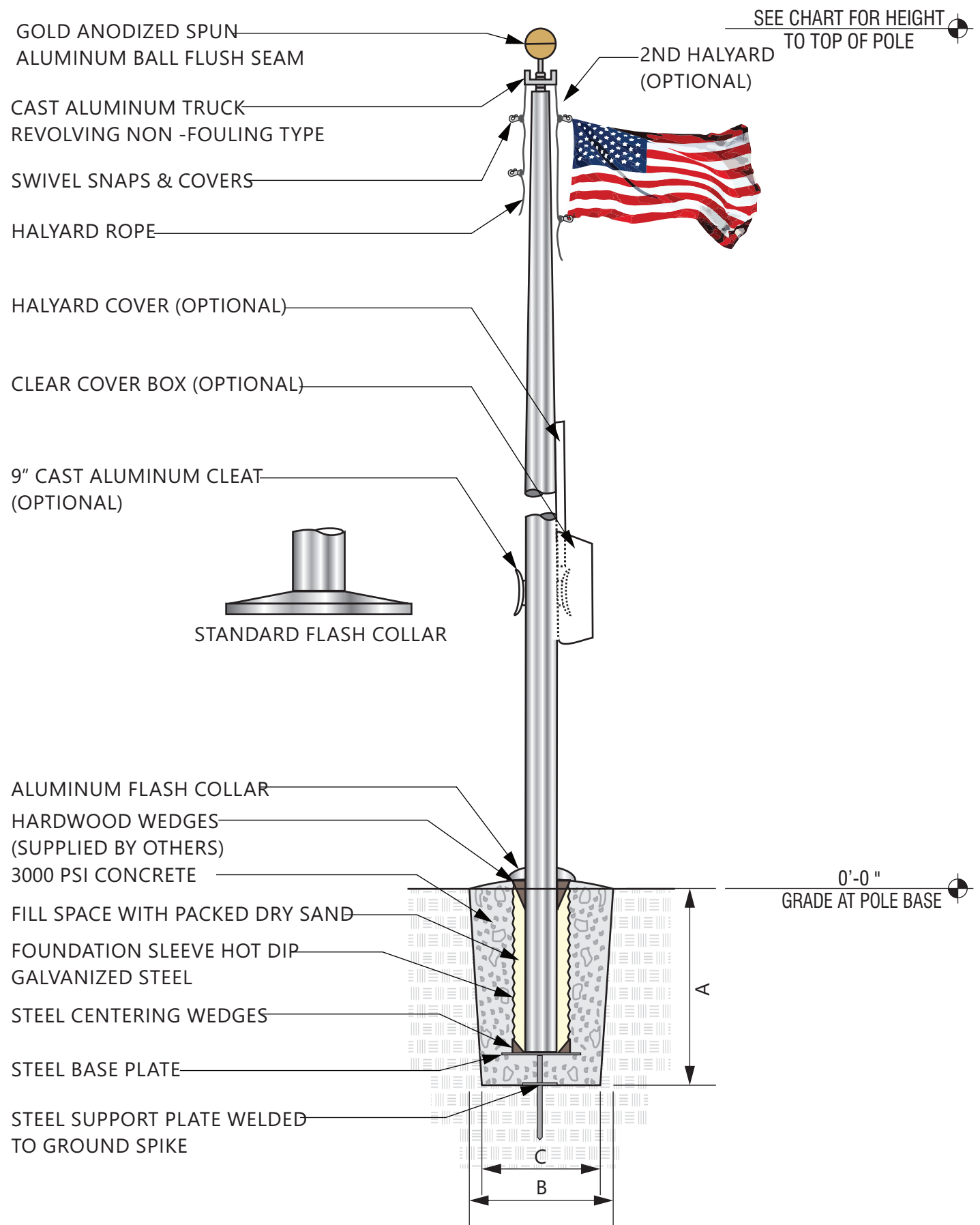
Chick-fil-A at Plainfield, IN  
6102 Cambridge Way  
Plainfield, IN 46168

THIS DRAWING IS AN ORIGINAL, UNPUBLISHED DESIGN CREATED BY CLAYTON SIGNS, INC. IT IS NOT TO BE REPRODUCED, CHANGED, OR EXHIBITED TO ANYONE OUTSIDE OF YOUR COMPANY IN WHOLE OR IN PART WITHOUT WRITTEN PERMISSION FROM THE OWNER OF CLAYTON SIGNS, INC. ANY SUCH ACTIONS MAY BE SUBJECT TO LEGAL ACTION IN A COURT OF LAW.

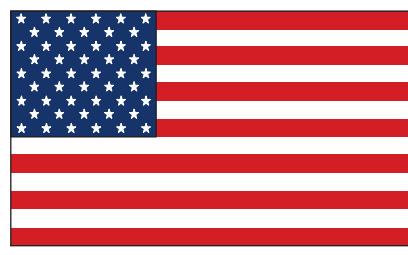
©2022 ALL RIGHTS RESERVED

LOCATION

**P**



SEE CHART FOR HEIGHT TO TOP OF POLE



### FLAG SIZES

POLE	A	B	MATERIAL
20'	3'0"	5'0"	POLYESTHER
25'	4'0"	6'0"	POLYESTHER
30'	5'0"	8'0"	POLYESTHER
35'	6'0"	10'0"	POLYESTHER
40'	8'0"	12'0"	POLYESTHER
45'	8'0"	12'0"	POLYESTHER
50'	12'0"	18'0"	POLYESTHER

### FOUNDATION SIZES

HEIGHT	A	B	C
20'	3'6"	30"	24"
25'	3'6"	30"	24"
30'	3'6"	30"	24"
35'	4'0"	36"	30"
40'	4'6"	42"	36"
45'	5'0"	48"	42"
50'	5'6"	48"	42"

**GROUND SLEEVE AND CONCRETE INSTALLED BY THE GENERAL CONTRACTOR  
POLE INSTALLED ON PRE-INSTALLED GROUND SLEEVE BY SIGN CONTRACTOR**



5198 North Lake Drive  
Lake City, GA 30260  
404.361.3800  
www.claytonsigns.com

### FLAG POLE

DRAWING FILE - CFA - PLAINFIELD, IN SIGNAGE.CDR

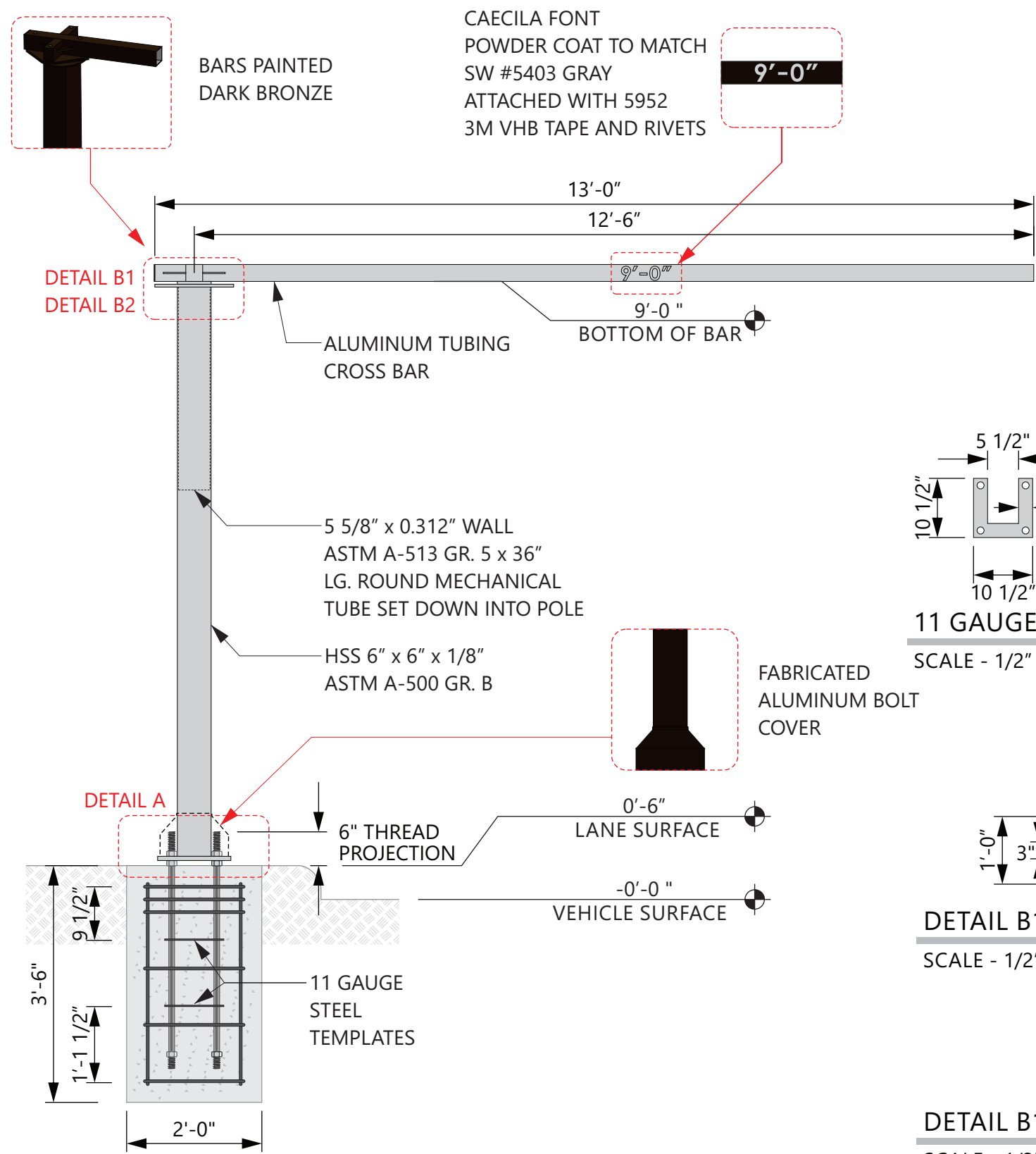
ALL ELECTRICAL SIGNS ARE 120 VOLTS UNLESS OTHERWISE INDICATED

DRAWN BY Ben Holliday  
ACCOUNT REP. Ben Holliday  
DRAWING DATE December 2, 2022  
REVISION DATE September 16, 2025

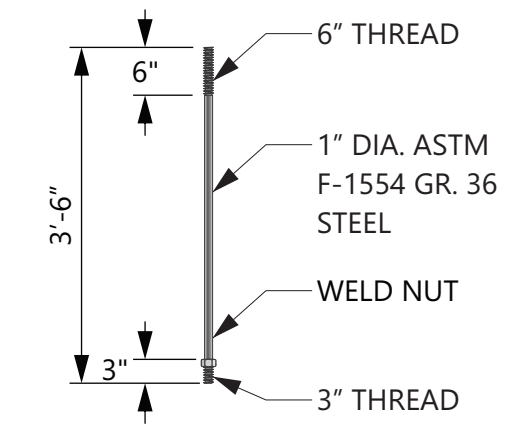
STORE NUMBER	STORE ADDRESS
L05219	Chick-fil-A at Plainfield, IN 6102 Cambridge Way Plainfield, IN 46168

THIS DRAWING IS AN ORIGINAL, UNPUBLISHED DESIGN CREATED BY CLAYTON SIGNS, INC. IT IS NOT TO BE REPRODUCED, CHANGED, OR EXHIBITED TO ANYONE OUTSIDE OF YOUR COMPANY IN WHOLE OR IN PART WITHOUT WRITTEN PERMISSION FROM THE OWNER OF CLAYTON SIGNS, INC. ANY SUCH ACTIONS MAY BE SUBJECT TO LEGAL ACTION IN A COURT OF LAW.  
©2022 ALL RIGHTS RESERVED

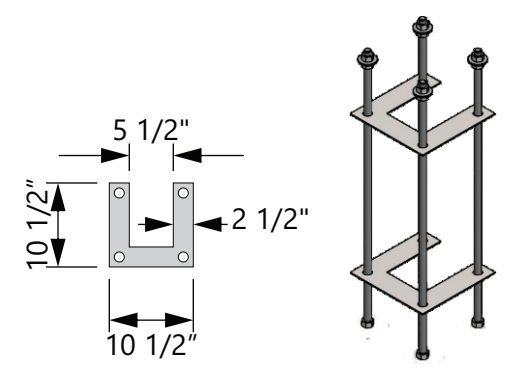
LOCATION  
**FP**



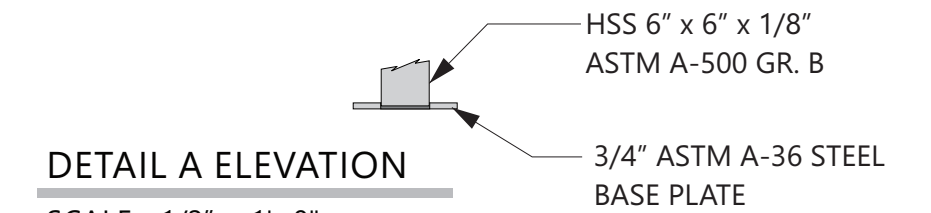
**ELEVATION**  
SCALE - 1/2" = 1'-0"



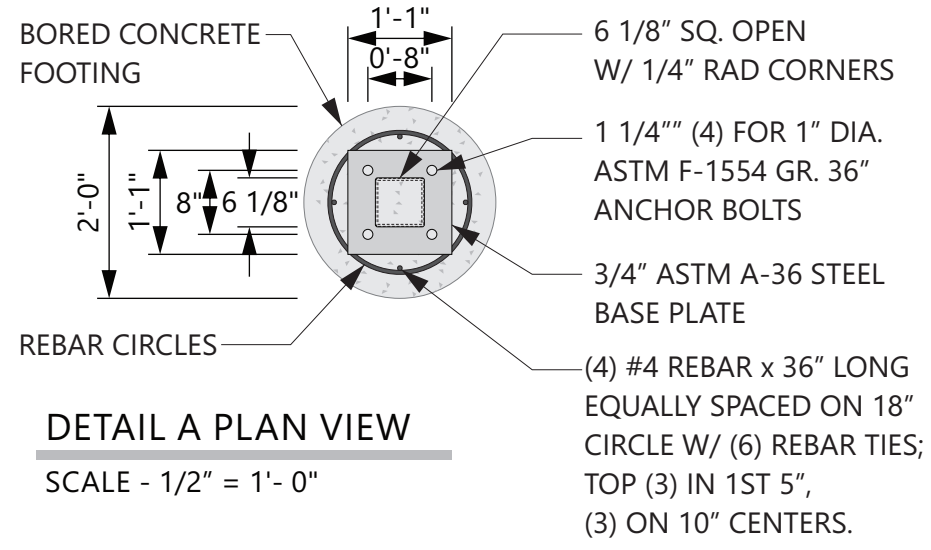
**BOLT DETAIL**  
SCALE - 1/2" = 1'-0"



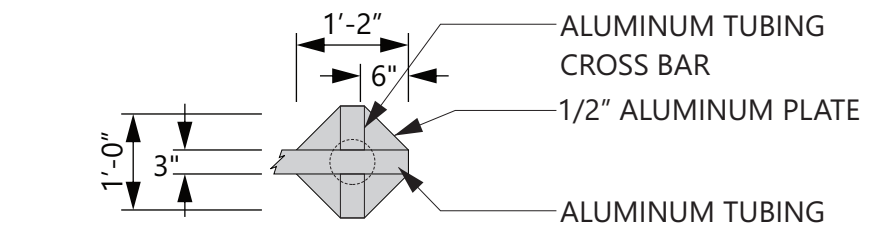
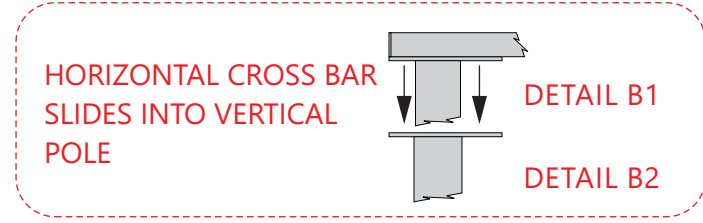
**11 GAUGE TEMPLATE DETAIL**  
SCALE - 1/2" = 1'-0"



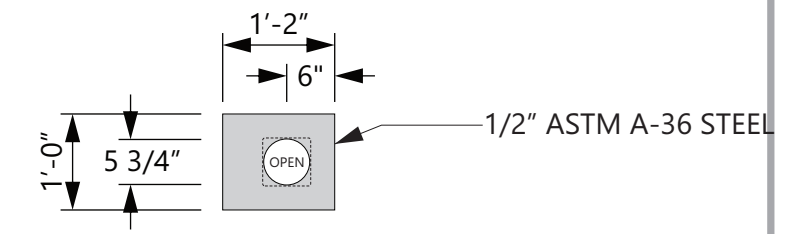
**DETAIL A ELEVATION**  
SCALE - 1/2" = 1'-0"



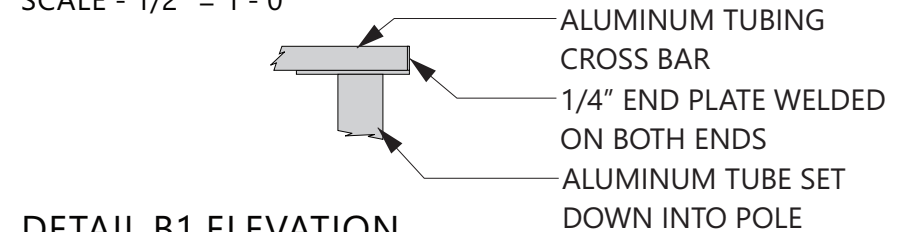
**DETAIL A PLAN VIEW**  
SCALE - 1/2" = 1'-0"



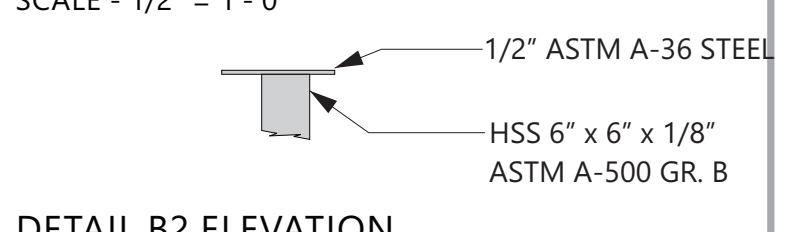
**DETAIL B1 PLAN VIEW**  
SCALE - 1/2" = 1'-0"



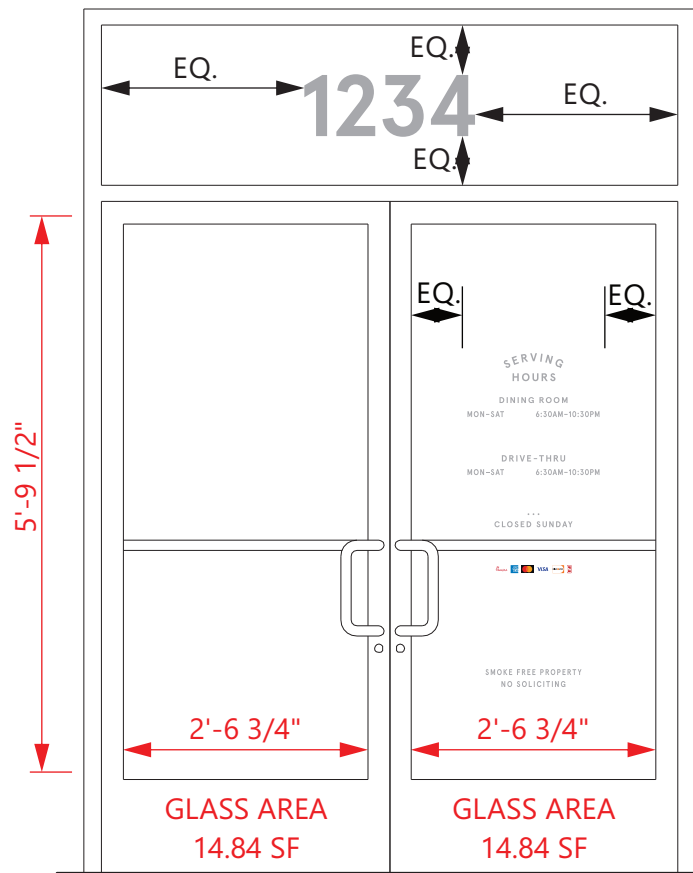
**DETAIL B2 PLAN VIEW**  
SCALE - 1/2" = 1'-0"



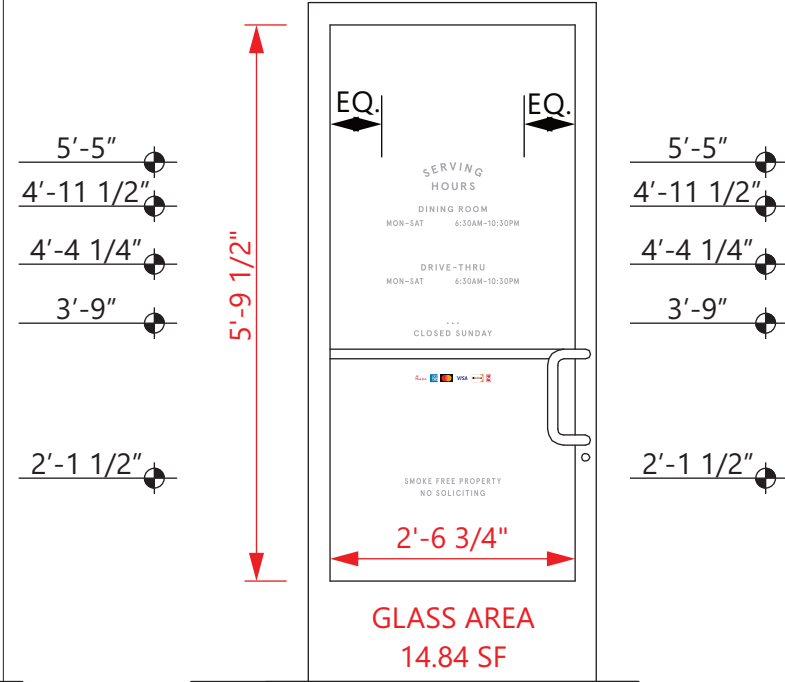
**DETAIL B1 ELEVATION**  
SCALE - 1/2" = 1'-0"



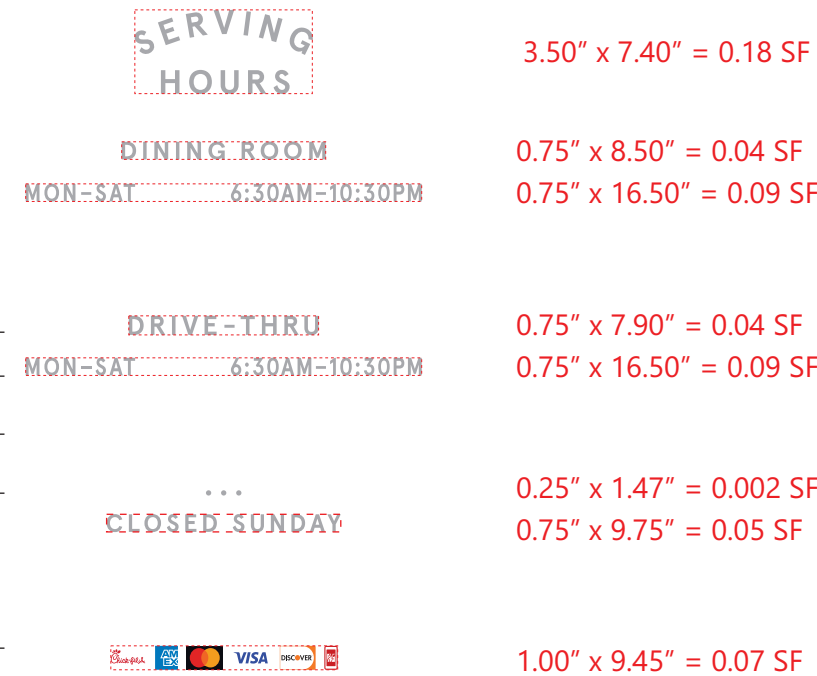
**DETAIL B2 ELEVATION**  
SCALE - 1/2" = 1'-0"



DOOR WINDOW AREA - 14.84 SF  
 WINDOW GRAPHIC AREA - 0.662 SF



ELEVATION  
 SCALE - 1/2" = 1'-0"



SMOKE FREE PROPERTY  
 NO SOLICITING

ELEVATION  
 SCALE - 1 1/2" = 1'-0"

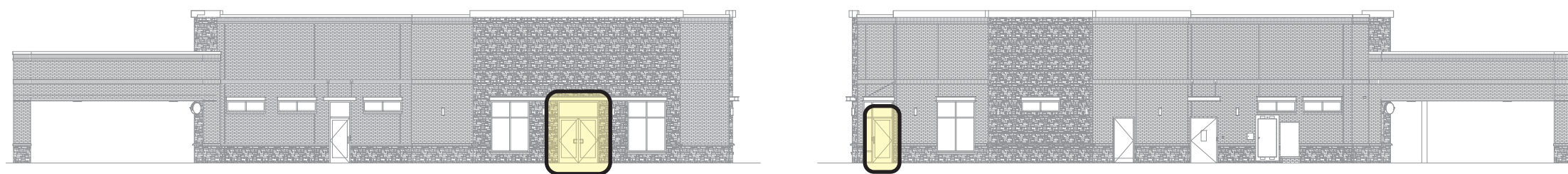
LETTERING IS 3M #7725-10 OPAQUE WHITE VINYL FILM (SHOWN IN GREY FOR ILLUSTRATION)  
 CREDIT CARD LOGOS ARE INDIVIDUAL PRINTED DECALS ON CLEAR FILM.  
 ALL GRAPHICS ARE APPLIED TO EXTERIOR SURFACE OF GLASS.  
 STORE HOURS MAY BE DIFFERENT PER STORE.  
 SUNDAY HAS RED VINYL FILM STRIKE THROUGH ON IT.  
 PROVIDE EXTRA 6:00 PER EACH SET.

8" 1234

8" TALL ADDRESS NUMBERS ARE 3M #7725-10 OPAQUE WHITE VINYL FILM APPLIED TO EXTERIOR SURFACE OF GLASS. (SHOWN IN GREY FOR ILLUSTRATION)  
 APERCU BOLD FONT

VERIFY ADDRESS BEFORE MAKING NUMBERS

ELEVATION  
 NOT TO SCALE



5198 North Lake Drive  
 Lake City, GA 30260  
 404.361.3800  
 www.claytonsigns.com

WINDOW GRAPHICS

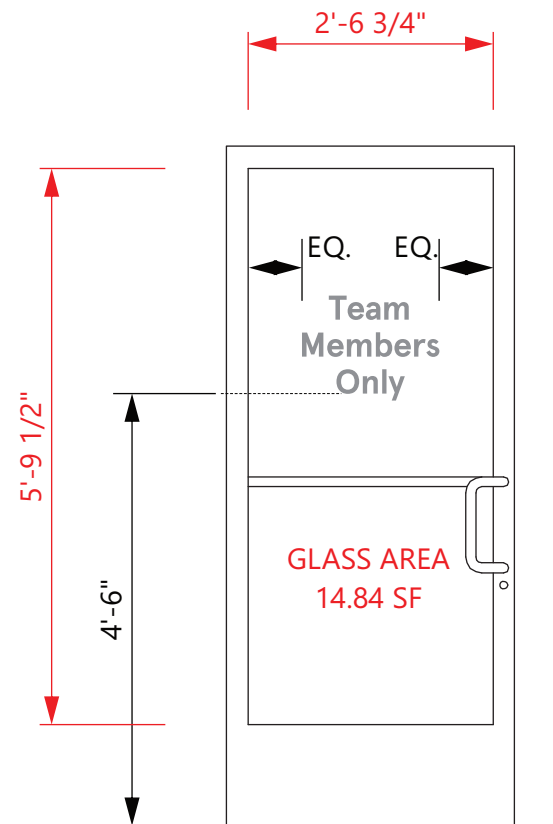
DRAWING FILE - CFA - PLAINFIELD, IN SIGNAGE.CDR

ALL ELECTRICAL SIGNS ARE 120 VOLTS UNLESS OTHERWISE INDICATED

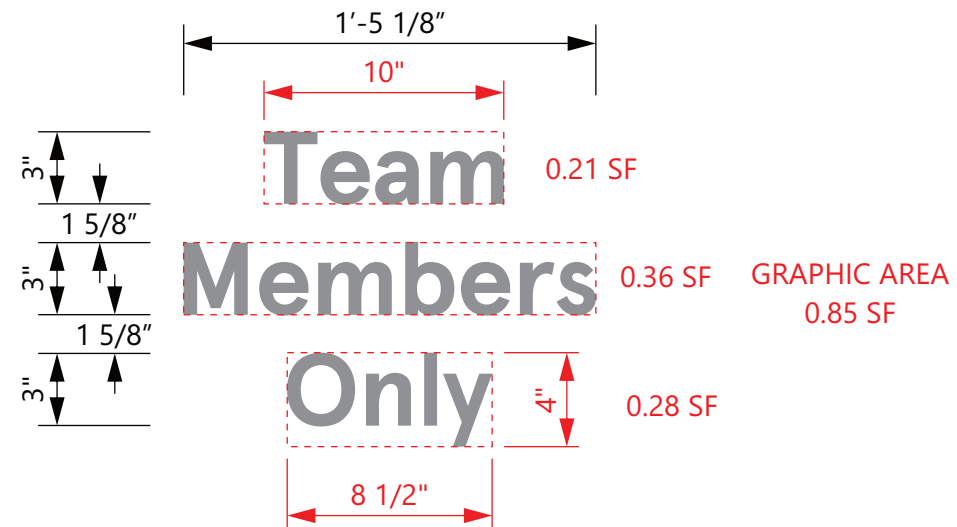
DRAWN BY Ben Holliday  
 ACCOUNT REP. Ben Holliday  
 DRAWING DATE December 2, 2022  
 REVISION DATE September 16, 2025

STORE NUMBER	STORE ADDRESS
L05219	Chick-fil-A at Plainfield, IN 6102 Cambridge Way Plainfield, IN 46168

THIS DRAWING IS AN ORIGINAL, UNPUBLISHED DESIGN CREATED BY CLAYTON SIGNS, INC. IT IS NOT TO BE REPRODUCED, CHANGED, OR EXHIBITED TO ANYONE OUTSIDE OF YOUR COMPANY IN WHOLE OR IN PART WITHOUT WRITTEN PERMISSION FROM THE OWNER OF CLAYTON SIGNS, INC. ANY SUCH ACTIONS MAY BE SUBJECT TO LEGAL ACTION IN A COURT OF LAW.  
 ©2022 ALL RIGHTS RESERVED

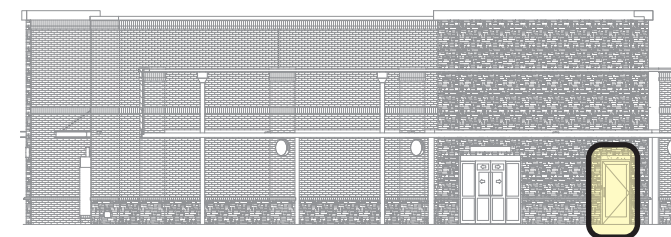
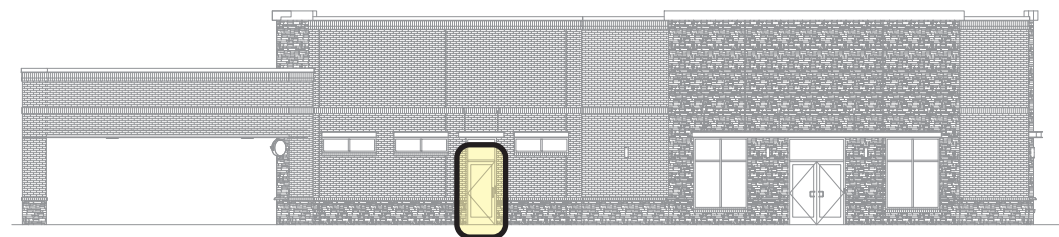


**ELEVATION**  
SCALE - 1/2" = 1'- 0"



**ELEVATION**  
SCALE - 1 1/2" = 1'- 0"

LETTERING IS 3M 7725-10  
OPAQUE WHITE APPLIED VINYL  
ALL GRAPHICS ARE APPLIED TO  
EXTERIOR SURFACE OF GLASS.  
(SHOWN IN GREY FOR ILLUSTRATION  
PURPOSES ONLY)



5198 North Lake Drive  
Lake City, GA 30260  
404.361.3800  
www.claytonsigns.com

**WINDOW GRAPHICS**

DRAWING FILE - CFA - PLAINFIELD, IN SIGNAGE.CDR

ALL ELECTRICAL  
SIGNS ARE  
120 VOLTS  
UNLESS  
OTHERWISE INDICATED

DRAWN BY Ben Holliday  
ACCOUNT REP. Ben Holliday  
DRAWING DATE December 2, 2022  
REVISION DATE September 16, 2025

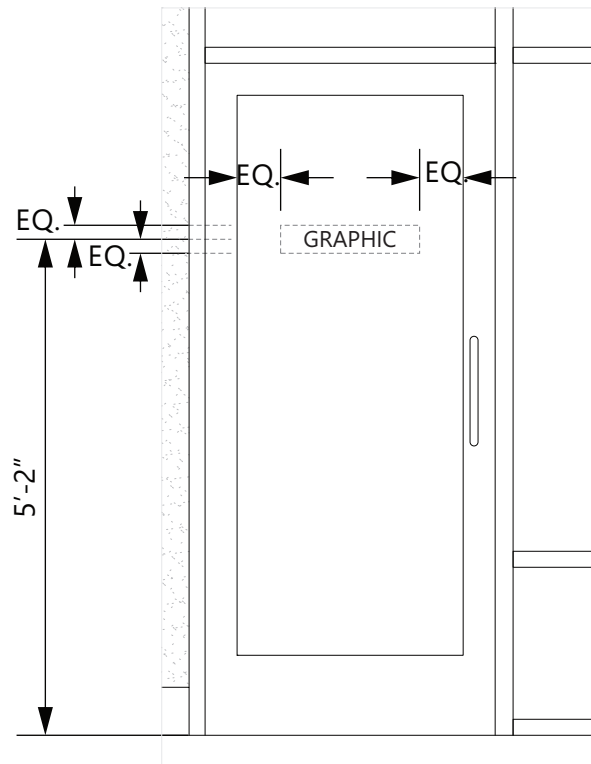
STORE NUMBER STORE ADDRESS

**L05219**

Chick-fil-A at Plainfield, IN  
6102 Cambridge Way  
Plainfield, IN 46168

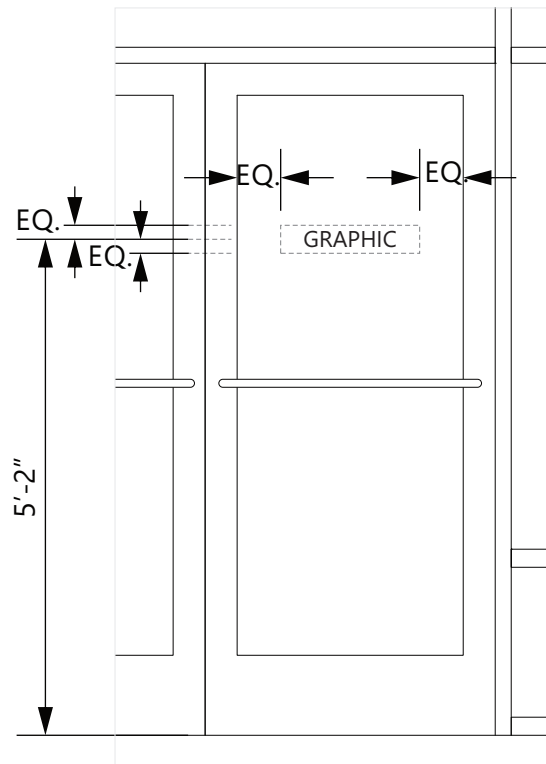
THIS DRAWING IS AN ORIGINAL, UNPUBLISHED DESIGN CREATED BY CLAYTON SIGNS, INC. IT IS NOT TO BE REPRODUCED, CHANGED, OR EXHIBITED TO ANYONE OUTSIDE OF YOUR COMPANY IN WHOLE OR IN PART WITHOUT WRITTEN PERMISSION FROM THE OWNER OF CLAYTON SIGNS, INC. ANY SUCH ACTIONS MAY BE SUBJECT TO LEGAL ACTION IN A COURT OF LAW.

©2022 ALL RIGHTS RESERVED



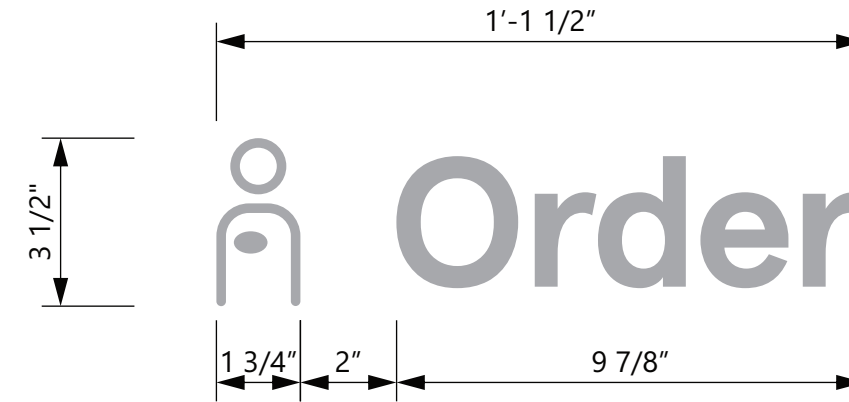
**SINGLE DOOR ELEVATION**

SCALE - 1/2" = 1'- 0"



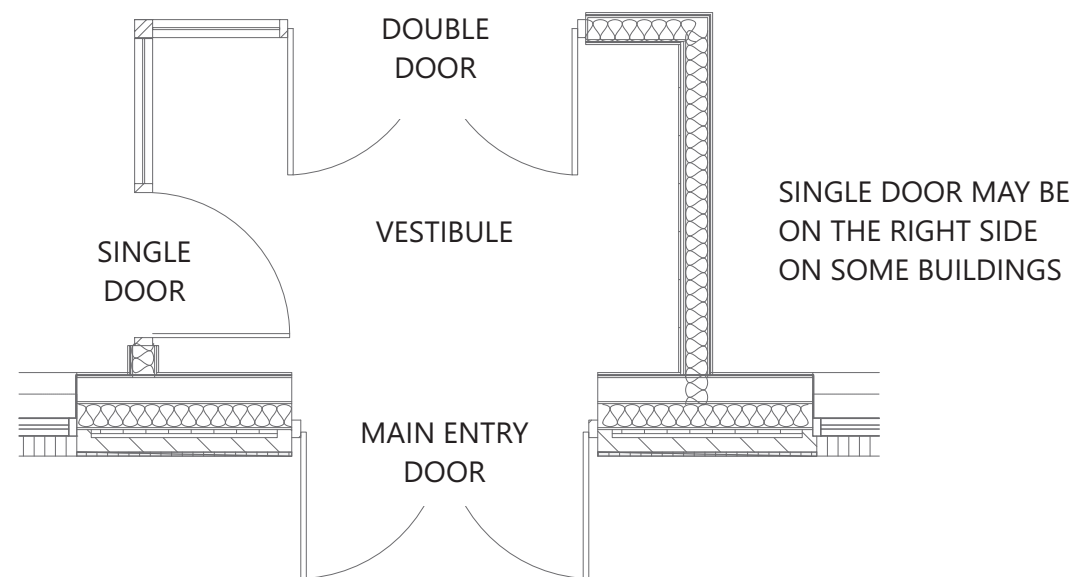
**DOUBLE DOOR ELEVATION**

SCALE - 1/2" = 1'- 0"



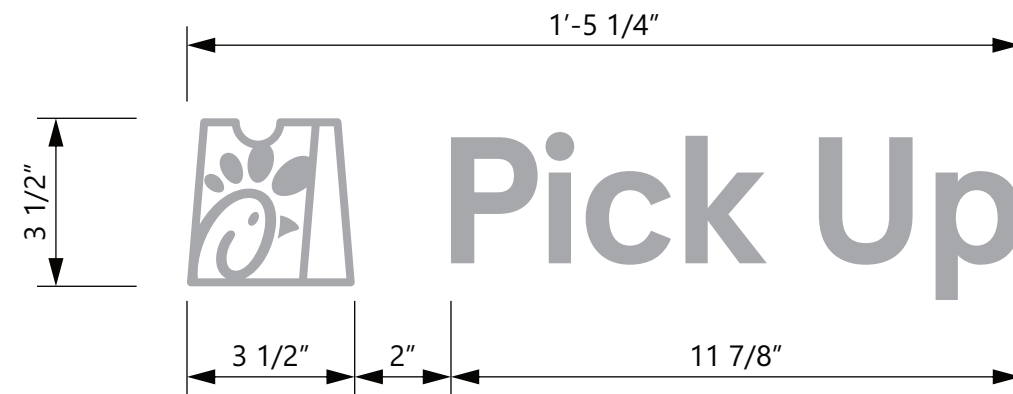
**DOUBLE DOOR GRAPHICS**

SCALE - 3" = 1'- 0"



**VESIBULE PLAN VIEW**

SCALE - 1/2" = 1'- 0"



**SINGLE DOOR GRAPHICS**

SCALE - 3" = 1'- 0"

LETTERING IS 3M #7725-10 OPAQUE WHITE VINYL FILM  
(GRAPHICS SHOWN IN GREY FOR ILLUSTRATION)  
ALL GRAPHICS ARE APPLIED TO EXTERIOR SURFACE OF GLASS.



5198 North Lake Drive  
Lake City, GA 30260  
404.361.3800  
www.claytonsigns.com

**INTERIOR VESTIBULE  
DOOR GRAPHICS**

DRAWING FILE - CFA - PLAINFIELD, IN SIGNAGE.CDR

ALL ELECTRICAL  
SIGNS ARE  
120 VOLTS  
UNLESS  
OTHERWISE INDICATED

DRAWN BY Ben Holliday  
ACCOUNT REP. Ben Holliday  
DRAWING DATE December 2, 2022  
REVISION DATE September 16, 2025

STORE NUMBER	STORE ADDRESS
L05219	Chick-fil-A at Plainfield, IN 6102 Cambridge Way Plainfield, IN 46168

THIS DRAWING IS AN ORIGINAL, UNPUBLISHED DESIGN CREATED BY CLAYTON SIGNS, INC. IT IS NOT TO BE REPRODUCED, CHANGED, OR EXHIBITED TO ANYONE OUTSIDE OF YOUR COMPANY IN WHOLE OR IN PART WITHOUT WRITTEN PERMISSION FROM THE OWNER OF CLAYTON SIGNS, INC. ANY SUCH ACTIONS MAY BE SUBJECT TO LEGAL ACTION IN A COURT OF LAW.  
©2022 ALL RIGHTS RESERVED



**PLAYGROUND ENTRY ELEVATION**

SCALE - 1/2" = 1'- 0"

ONE EACH REQUIRED - MANUFACTURE AND INSTALL DIGITALLY PRINTED GRAPHICS.  
 FONT = APERCU BOLD  
 APPLIED FIRST SURFACE TO DOOR AS REQUIRED PER DOOR CONDITION. EACH TO ALIGN WITH EACH OTHER ON OPPOSITE SIDES OF DOOR.  
 DECAL IS DIGITALLY PRINTED ON 3MIJ180MC-114 CLEAR GRAPHIC FILM AND LAMINATED WITH AVERY DOL 136OZ MATTE LAMINATE.  
 DOUBLE-SIDED PRINT WITH WHITE COPY ON FRONT AND SOLID RED BACK

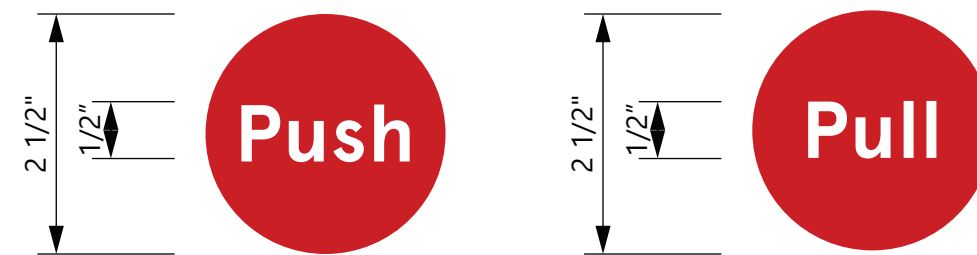
**COLORS**



PANTONE 186C

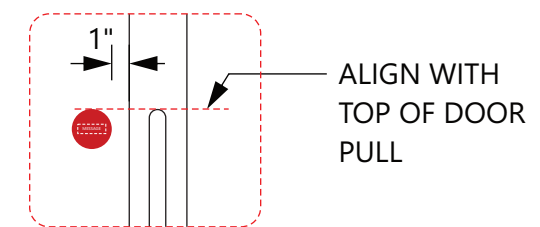


WHITE



**ELEVATION**

SCALE - 6" = 1'- 0"



**DETAIL B ELEVATION**

SCALE - 1" = 1'- 0"



5198 North Lake Drive  
 Lake City, GA 30260  
 404.361.3800  
 www.claytonsigns.com

**INTERIOR PLAYGROUND GRAPHICS**

DRAWING FILE - CFA - PLAINFIELD, IN SIGNAGE.CDR

ALL ELECTRICAL SIGNS ARE 120 VOLTS UNLESS OTHERWISE INDICATED

DRAWN BY Ben Holliday  
 ACCOUNT REP. Ben Holliday  
 DRAWING DATE December 2, 2022  
 REVISION DATE September 16, 2025

STORE NUMBER	STORE ADDRESS
L05219	Chick-fil-A at Plainfield, IN 6102 Cambridge Way Plainfield, IN 46168

THIS DRAWING IS AN ORIGINAL, UNPUBLISHED DESIGN CREATED BY CLAYTON SIGNS, INC. IT IS NOT TO BE REPRODUCED, CHANGED, OR EXHIBITED TO ANYONE OUTSIDE OF YOUR COMPANY IN WHOLE OR IN PART WITHOUT WRITTEN PERMISSION FROM THE OWNER OF CLAYTON SIGNS, INC. ANY SUCH ACTIONS MAY BE SUBJECT TO LEGAL ACTION IN A COURT OF LAW.  
 ©2022 ALL RIGHTS RESERVED



