



**SEBREE ARCHITECTS**

www.SEBREearchitects.com  
sebreearchitects.com

97 Dover Street  
Suite 400  
Avon, IN 46123  
Phone: 317-272-7800  
Fax: 317-272-7808

CONSULTANT

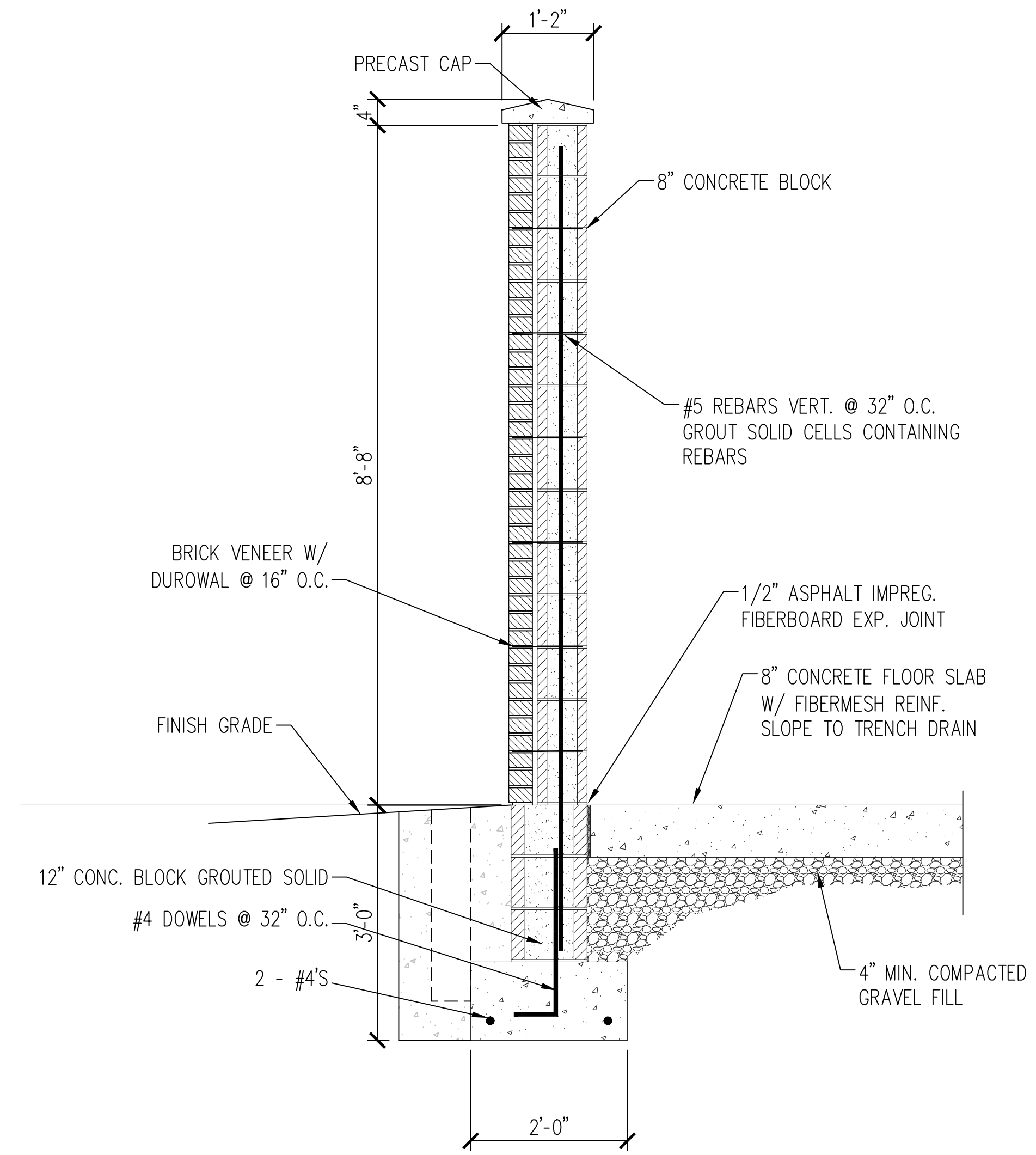
**SLEEP INN  
PLAINFIELD**  
6023 GATEWAY DRIVE  
PLAINFIELD, INDIANA

CERTIFIED BY

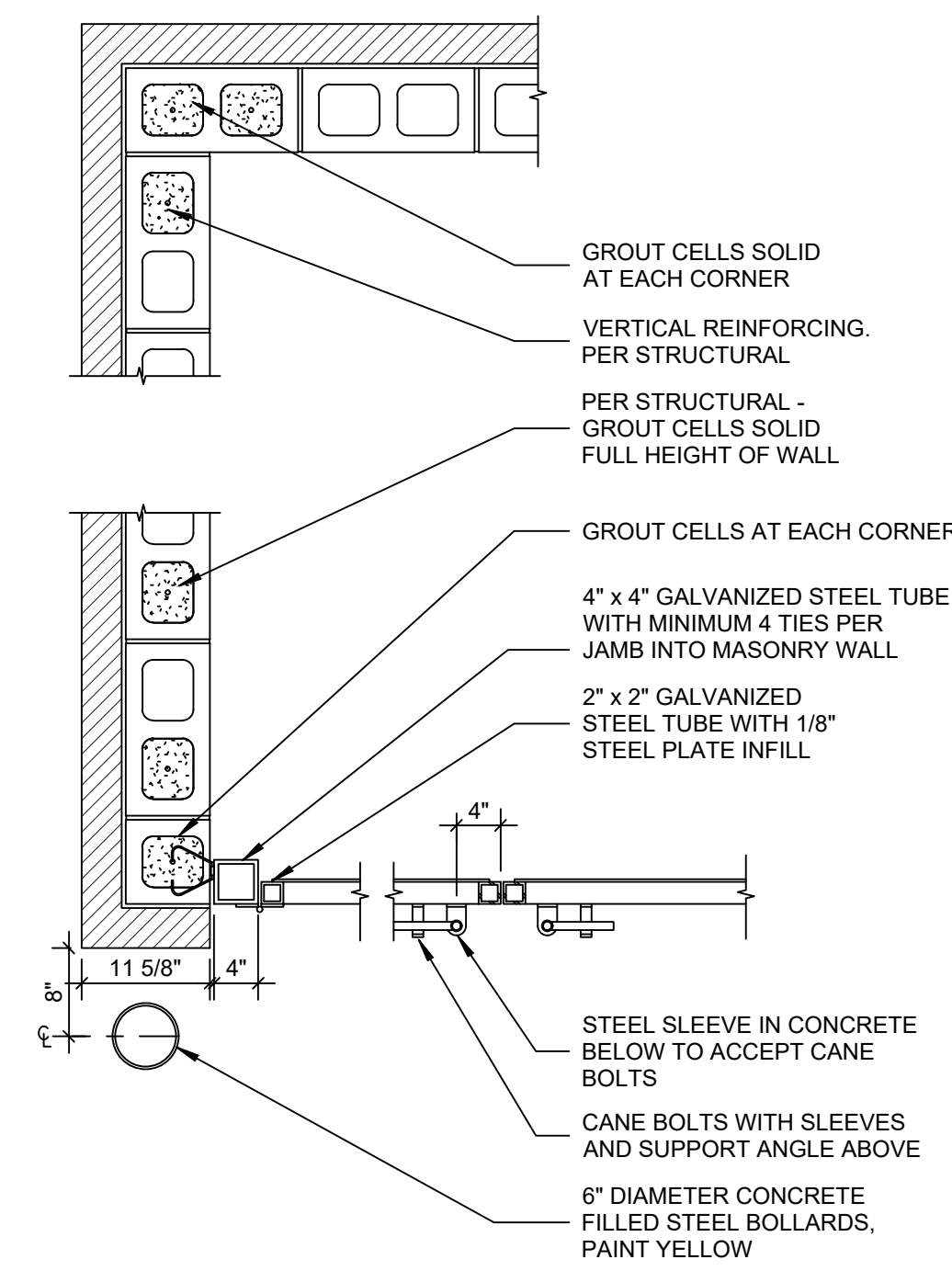
DESCRIPTION  
NO. DATE BY

DATE 07/31/2025 DRAWN BY  
PROJECT NO. 25001 CHECKED BY  
TRASH ENCLOSURE

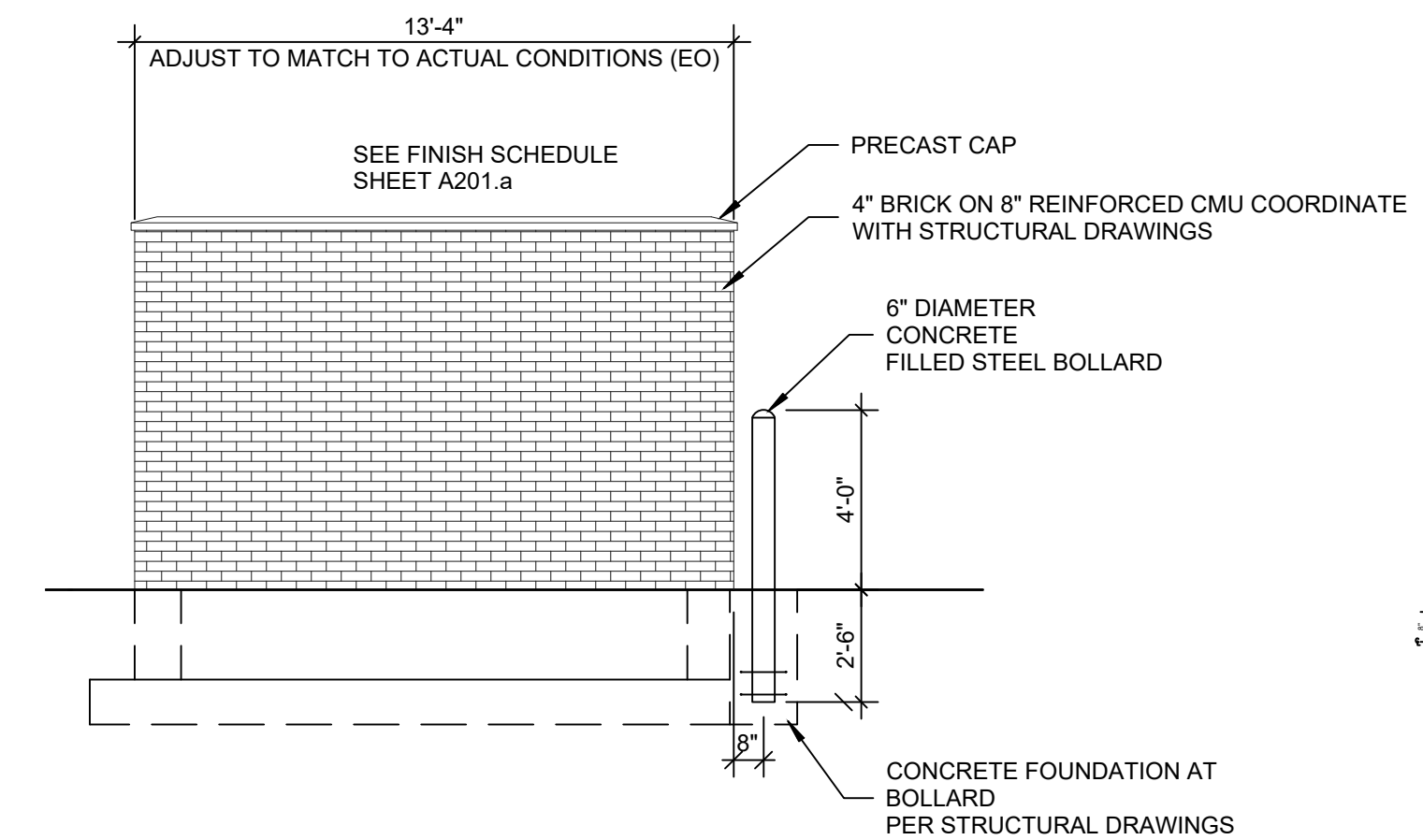
SHEET NO.  
**TE100**



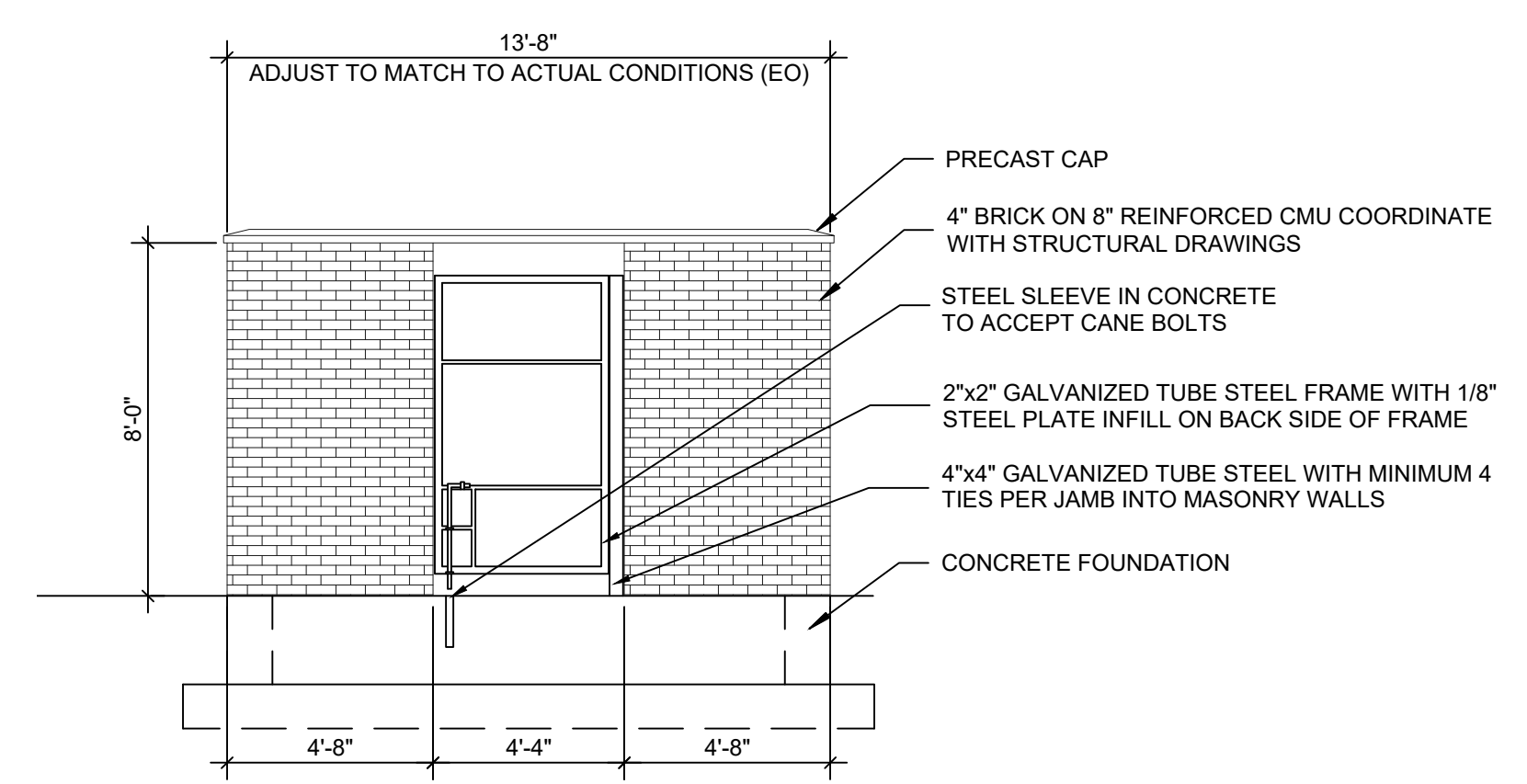
**6 TRASH ENCLOSURE WALL SECTION**  
SCALE: 3/4"=1'-0"



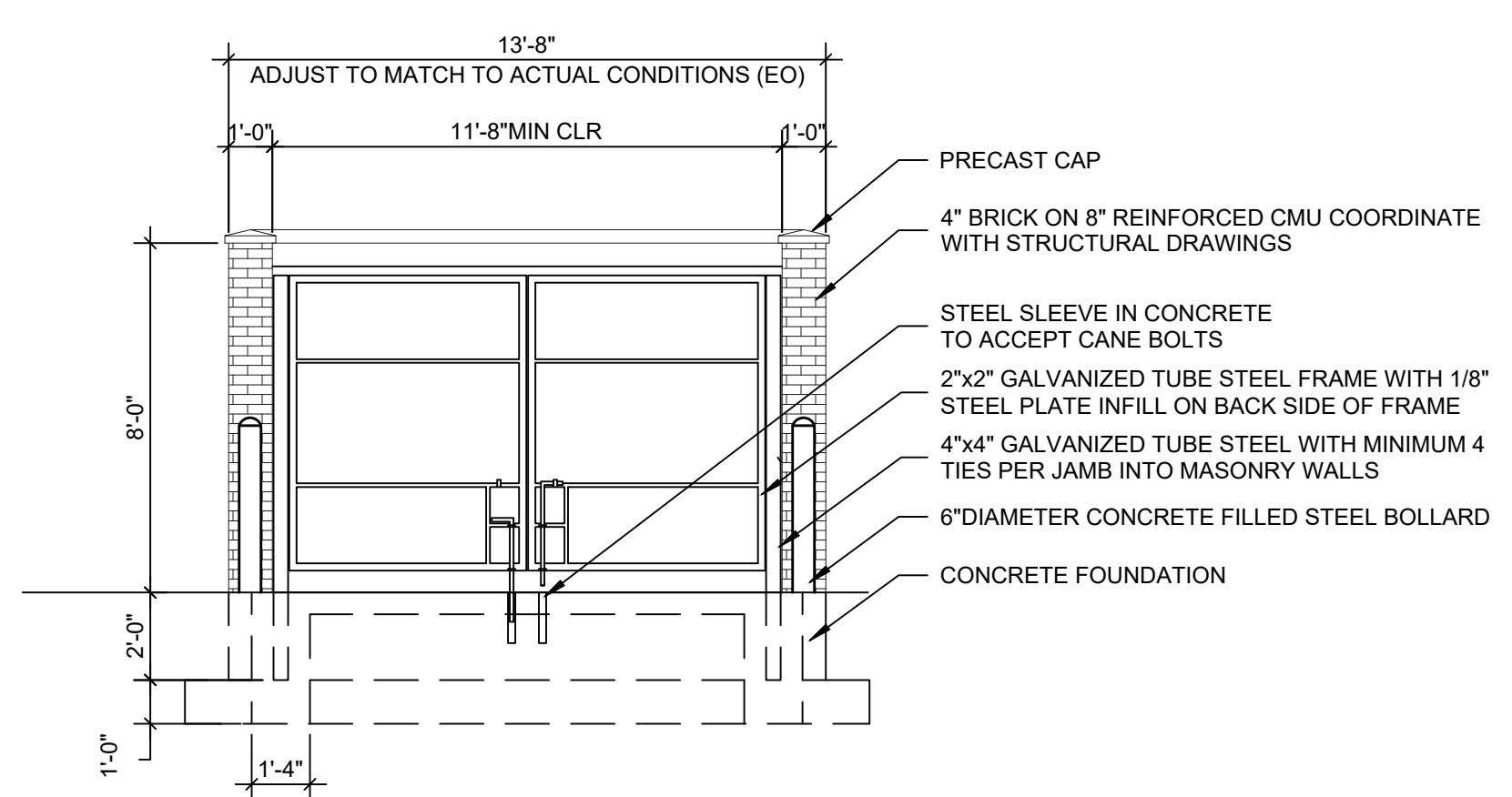
**5 TRASH ENCLOSURE DETAIL**  
SCALE: 3/4"=1'-0"



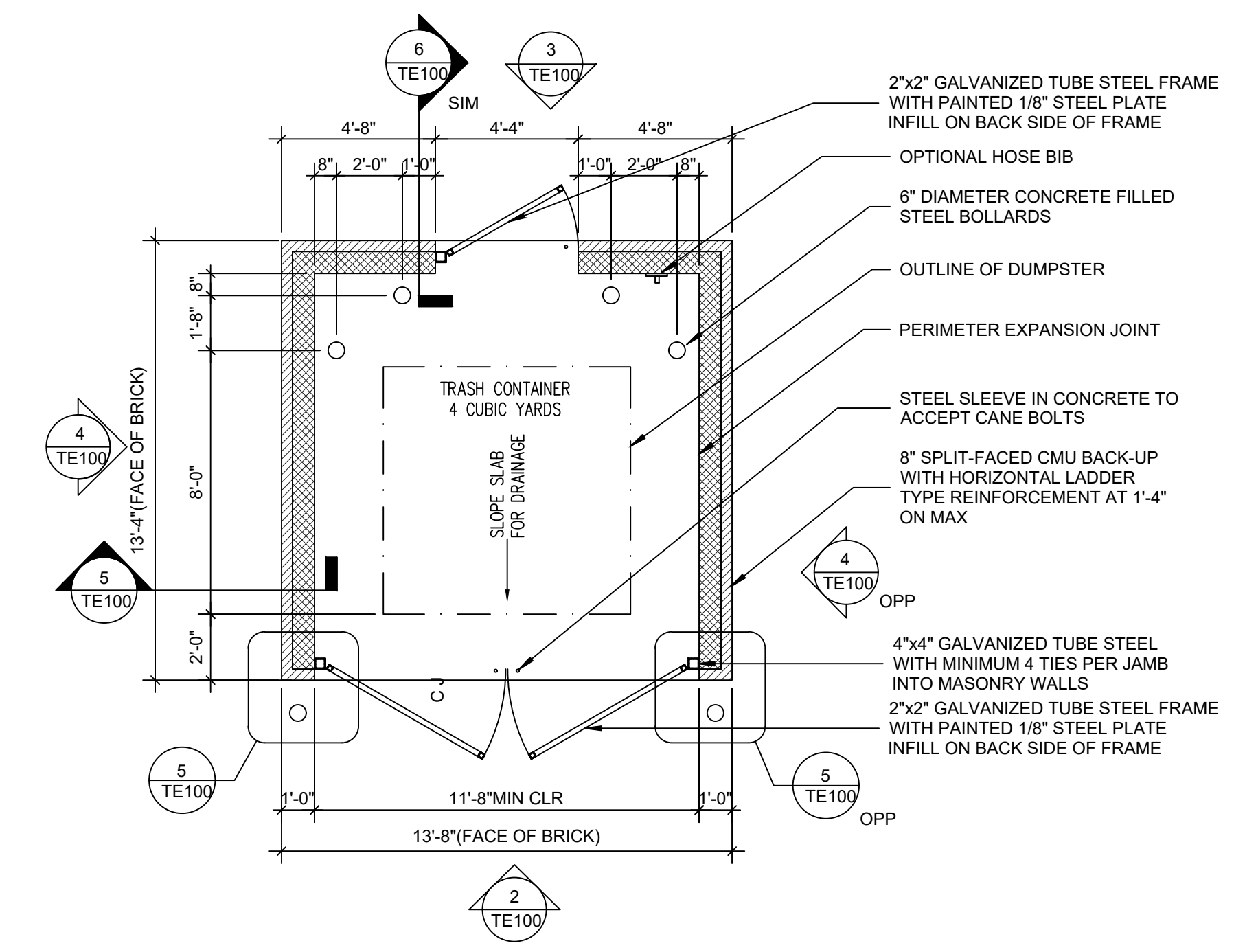
**4 TRASH ENCLOSURE SIDE ELEVATION**  
SCALE: 1/4"=1'-0"



**3 TRASH ENCLOSURE BACK ELEVATION**  
SCALE: 1/4"=1'-0"



**2 TRASH ENCLOSURE FRONT ELEVATION**  
SCALE: 1/4"=1'-0"



**1 TRASH ENCLOSURE PLAN**  
SCALE: 1/4"=1'-0"

THESE PLANS AND SPECIFICATIONS ARE PROVIDED UNDER FEDERAL COPYRIGHT LAWS.  
© SEBREE ARCHITECTS, INC. ALL RIGHTS RESERVED.