



Catalog #: _____

Project: _____

Prepared By: _____

Date: _____

Mirada Small Area (MRS)

Outdoor LED Area Light



OVERVIEW	
Lumen Package	6,000 - 30,000
Wattage Range	39 - 209
Efficacy Range (LPW)	112 - 163
Weight lbs(kg)	20 (9.1)
Control Options	IMSBT, ALB, ALS, 7-Pin, PCI

QUICK LINKS

[Ordering Guide](#)
[Performance](#)
[Photometrics](#)
[Dimensions](#)

FEATURES & SPECIFICATIONS

Construction

- Rugged die-cast aluminum housing contains factory prewired driver and optical unit. Cast aluminum wiring access door located underneath.
- Fixtures are finished with LSI's DuraGrip® polyester powder coat finishing process. The DuraGrip finish withstands extreme weather changes without cracking or peeling. Other standard LSI finishes available. Consult factory.
- Shipping weight: 27 lbs in carton.

Optical System

- State-of-the-Art one piece silicone optic sheet delivers industry leading optical control with an integrated gasket to provide IP66 rated seal.
- Proprietary silicone refractor optics provide exceptional coverage and uniformity in distribution types 2, 3, 4, 5W, FT, and LC/RC.
- Silicone optical material does not yellow or crack with age and provides a typical light transmittance of 93-95%.
- Zero uplight.
- Available in 5000K, 4000K, 3500K, 3000K and 2700K color temperatures per ANS C78.377.
- 70 or 80CRI Minimum.
- Integral louver (IL) and integral half louver (IH) options available for enhanced backlight control.

Electrical

- High-performance driver features over-voltage, under-voltage, short-circuit and over temperature protection.
- 0-10V dimming (10% - 100%) standard.
- Standard Universal Voltage (120-277 VAC) Input 50/60 Hz or optional High Voltage (347-480 VAC).
- L70 Calculated Life: >60k Hours
- Total harmonic distortion: <20%
- Operating temperature: -40°C to +50°C (-40°F to +122°F). 30L lumen packages rated to +40°C.
- Power factor: >.90
- Input power stays constant over life.
- Field replaceable 10kV surge protection device meets a minimum Category C Low operation (per ANSI/IEEE C62.41.2).
- High-efficacy LEDs mounted to metal-core circuit board to maximize heat dissipation
- Driver is fully encased in potting material for moisture resistance and complies with FCC standards. Driver and key electronic components can easily be accessed.

Controls

- Optional integral passive infrared Bluetooth™ motion and photocell sensor. Fixtures operate independently and can be commissioned via iOS or Android configuration app.
- AirLink™ Blue wireless control system with technology partner Silvair incorporates Luminaire Level Lighting Controls (LLLC) and high-end trim

Installation

- Designed to mount to square or round poles.
- A single fastener secures the hinged door, underneath the housing and provides quick & easy access to the electrical compartment.
- Included terminal block accepts up to 12 ga. wire.
- Utilizes LSI's traditional B3 drill pattern.

Warranty

- LSI luminaires carry a 5-year limited warranty. Refer to <https://www.lsicorp.com/resources/terms-conditions-warranty/> for more information.

Listings

- Listed to UL 1598 and UL 8750.
- Meets Buy American Act requirements.
- DarkSky approved with 3000K color temperature selection and fixed mounting.
- Title 24 Compliant; see local ordinance for qualification information.
- RoHS compliant.
- Suitable for wet locations.
- IP66 rated Luminaire per IEC 60598-1.
- 3G rated for ANSI C136.31 high vibration applications are qualified.
- IK10 rated luminaire per IEC 66262 mechanical impact code.
- DesignLights Consortium® (DLC) qualified product. Not all versions of this product may be DLC qualified. Please check the DLC Qualified Products List at www.designlights.org/QPL to confirm which versions are qualified.

ORDERING GUIDE

[Back to Quick Links](#)

TYPICAL ORDER EXAMPLE: MRS LED 18L SIL FT UNV DIM 40 70CRI ALBMR1LR BLK IH

Prefix	Light Source	Lumen Package	Lens	Distribution	Orientation ²	Voltage	Driver
MRS - Mirada Small Area Light	LED	6L - 6,000 lms, 39W 9L - 9,000 lms, 63W 12L - 12,000 lms, 86W 15L - 15,000 lms, 111W 18L - 18,000 lms, 135W 21L - 21,000 lms, 165W 24L - 24,000 lms, 196W 30L - 30,000 lms, 209W ⁶ Custom Lumen Packages ¹	SIL - Silicone	2 - Type 2 3 - Type 3 4 - Type 4 5W - Type 5 Wide FT - Forward Throw LC - Left Corner RC - Right Corner	(blank) - standard L - Optics rotated left 90° R - Optics rotated right 90°	UNV - Universal Voltage (120-277V) HV - High Voltage (347-480V)	DIM - 0-10V Dimming (10-100%)
Color Temp	Color Rendering	Controls (Choose One)				Finish	Options
50 - 5,000 CCT 40 - 4,000 CCT 35 - 3,500 CCT (80 CRI only) DarkSky Approved CCT's 30 - 3,000 CCT 27 - 2,700 CCT (80 CRI only)	70CRI - 70 CRI 80CRI - 80 CRI	(Blank) - None Wireless Controls System ALSC - AirLink Synapse Control System ALSCS2 - AirLink Synapse Control System with 12-20' MH Motion Sensor ⁸ ALSCS4 - AirLink Synapse Control System with 20-40' MH Motion Sensor ⁸ ALBMR1LR - AirLink Blue Long Range Wireless Motion & Photo Sensor Controller (8-15' MH) ^{4,8} ALBMR2LR - AirLink Blue Long Range Wireless Motion & Photo Sensor Controller (16-40' MH) ^{4,8} Stand-Alone Controls EXT - 0-10v Dimming leads extended to housing exterior CR7P - 7 Pin Control Receptacle ANSI C136.41 ³ IMSBT1L - Integral Bluetooth™ Motion and Photocell Sensor (8-24' MH) ^{4,8} IMSBT2L - Integral Bluetooth™ Motion and Photocell Sensor (25-40' MH) ^{4,8}				BLK - Black BRZ - Dark Bronze GMG - Gun Metal Gray GPT - Graphite MSV - Metallic Silver PLP - Platinum Plus SVG - Satin Verde Green WHT - White	(Blank) - None IH - Integral Half Louver (Moderate Spill Light Cutoff) ² IL - Integral Louver (Sharp Spill Light Cutoff) ²


Need more information?
[Click here for our glossary](#)
Have additional questions?

Call us at (800) 436-7800



Accessory Ordering Information⁵

CONTROLS ACCESSORIES	
Description	Order Number
Twist Lock Photocell (120V) for use with CR7P	122514
Twist Lock Photocell (208-277) for use with CR7P	122515
Twist Lock Photocell (347V) for use with CR7P	122516
Twist Lock Photocell (480V) for use with CR7P	1225180
AirLink 5 Pin Twist Lock Controller	661409
AirLink 7 Pin Twist Lock Controller	661410
Shorting Cap for use with CR7P	149328
Adjustable Output Module	734263

FUSING OPTIONS ⁷	
Description	Order Number
Single Fusing (120V)	See Fusing Accessory Guide
Single Fusing (277V)	
Double Fusing (208V, 240V)	
Double Fusing (480V)	
Double Fusing (347V)	

EXTERNAL SHIELDING OPTIONS	
3" External Shield	See Shielding Guide
6" External Shield	

- Custom lumen and wattage packages available, consult factory. Values are within industry standard tolerances but not DLC listed.
- Not available on "Type 5W" distribution.
- Control device or shorting cap must be ordered separately. See Accessory Ordering Information.
- Motion sensors are field configurable via the LSI app that can be downloaded from your smartphone's native app store.
- Accessories are shipped separately and field installed.
- "CLR" denotes finish. See Finish options.
- Fusing must be located in hand hole of pole. See [Fusing Accessory Guide](#) for compatibility.
- ALSC, ALB, and IMSBT not available with 30L HV.

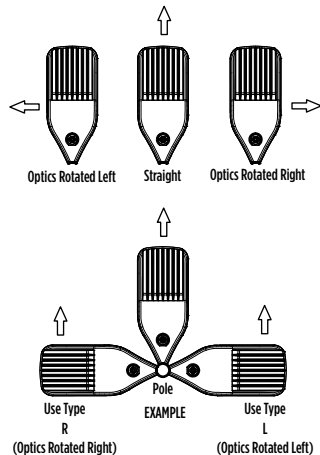
ACCESSORIES

[Back to Quick Links](#)

MOUNTING ACCESSORIES		SHIELDING, POLES & MISC. ACCESSORIES		
Side Arm	Universal Mounting Bracket Mounts to ≥ 3" square or round (tapered/straight) poles with (2) mounting hole spaces between 3.5" to 5" Part Number: BKA UMB CLR		Shielding Integral Louver Field Install Integral Louver provides maximum backlight control by shielding each individual row of LEDs Part Number: 763445 Integral Half Louver Field Install Integral Half Louver provides great backlight control without impacting front side distribution. Part Number: 763446 External Shield External shield blocks view of light source from any side of luminaire, additional shielding configurations available Part Number: 783607BLK (3") / 776538BLK (6")	
	Quick Mount Plate True one person installation to existing/new construction poles with hole spaces between 2.4 to 4.6" Part Number: BKS PQMH B3B5 XX CLR			
	15° Tilt Quick Mount Plate True one person installation to existing/new construction poles with hole spaces between 2.4 to 4.6" Part Number: BKS PQM15 B3B5 XX CLR			
Tenon / Slipfitter	Adjustable Slipfitter Mounts onto a 2" (51mm) I.P.; 2.375" (60mm) O.D. tenon and provides 180° of tilt (max 45° above horizontal) Part Number: BKA ASF CLR		Poles Square Poles 14 - 39' steel and aluminum poles in 4", 5" and 6" sizes for retrofit and new construction Part Number: 4SQ/5SQ/6SQ Round Poles 10 - 30' steel and aluminum poles in 4" and 5" sizes for retrofit and new construction Part Number: 4RP/SRP Tapered Poles 20' - 39' steel and aluminum poles for retrofit and new construction Part Number: RTP	
	Square Tenon Top Mounts onto a 2" (51mm) I.P.; 2.375" (60mm) O.D. tenon and allows for mounting up to 4 luminaires Part Number: BKA XNM *			
	Square Internal Slipfitter Mounts inside 4" or 5" square pole and allows for mounting up to 4 luminaires Part Number: BKA X_ISF * CLR			
Wall Mount / Wood Pole	Wall Mount Bracket Mounts onto vertical wall surface (hardware/anchors not included) Part Number: BKS XB0 WM CLR Part Number: BKS B3 WM CLR (Includes surface conduit punchouts)		Misc. Bird Spikes 10' linear bird spike (2' recommended per luminaire) silicone adhesive (covers approximately 25' linear fee of bird spike) and application tool Spike Part Number: 751631 Adhesive Part Number: 751632 Caulk Gun Part Number: 751636	
	Wood Pole Bracket Mounts onto wooden poles (6" minimum OD, hardware/anchors not included) Part Number: BKS XB0 WP CLR (Includes surface conduit punchouts)			Replace CLR with paint finish description Replace X with: Z' Replace XX with SQ for square pole or RD for round pole (≥3" OD) Replace * with S (Single), D180 (Double @180°), D90 (Double @90°), T90 (Triple), Q90 (Quad) Replace _ with 4 (4" square pole) or 5 (5" square pole)

OPTICS ROTATION

Top View



ACCESSORIES/OPTIONS

Integral Louver (IL) and House-Side Shield (IH)

Integral Louver (IL) and half louver (IH) accessory shields available for improved backlight control without sacrificing street side performance. LSI's Integral Louver (IL) and Integral House-Side Shield (IH) options deliver backlight control that significantly reduces spill light behind the poles for applications with pole locations close to adjacent properties. The design maximizes forward reflected light while reducing glare, maintaining the optical distribution selected, and most importantly eliminating light trespass. Both options rotate with the optical distribution.

Luminaire Shown with Integral Louver (IL)



Luminaire Shown with IMSBT Option



7 Pin Photoelectric Control

7-pin ANSI C136.41-2013 control receptacle option available for twist lock photocontrols or wireless control modules. Control accessories sold separately. Dimming leads from the receptacle will be connected to the driver dimming leads (Consult factory for alternate wiring).



Mirada Small Area Light (MRS)

Type: _____

 Have questions? Call us at (800) 436-7800

PERFORMANCE

[Back to Quick Links](#)

DELIVERED LUMENS*												
Lumen Package	Distribution	CRI	3000K CCT			4000K CCT			5000K CCT			Wattage
			Delivered Lumens	Efficacy	BUG Rating	Delivered Lumens	Efficacy	BUG Rating	Delivered Lumens	Efficacy	BUG Rating	
6L	2	70	5918	149	B2-U0-G1	6136	155	B2-U0-G1	6122	155	B2-U0-G1	39
	3		6016	152	B1-U0-G2	6238	158	B1-U0-G2	6224	157	B1-U0-G2	
	4		5967	153	B1-U0-G2	6333	162	B1-U0-G3	6136	157	B1-U0-G2	
	5W		5690	144	B3-U0-G1	5899	149	B3-U0-G1	5886	149	B3-U0-G1	
	FT		5822	147	B1-U0-G1	6037	152	B1-U0-G1	6023	152	B1-U0-G1	
	LC		6003	154	B1-U0-G2	6371	163	B1-U0-G2	6173	158	B1-U0-G2	
	RC		5964	153	B1-U0-G2	6329	162	B1-U0-G2	6132	157	B1-U0-G2	
9L	2	70	9091	145	B2-U0-G2	9484	152	B2-U0-G2	9462	151	B2-U0-G2	63
	3		9241	148	B2-U0-G2	9641	154	B2-U0-G2	9619	154	B2-U0-G2	
	4		9214	146	B2-U0-G3	9778	155	B2-U0-G3	9474	150	B2-U0-G3	
	5W		8740	140	B3-U0-G2	9118	146	B3-U0-G2	9097	144	B3-U0-G2	
	FT		8943	143	B2-U0-G2	9330	149	B2-U0-G2	9308	149	B2-U0-G2	
	LC		9269	147	B2-U0-G3	9837	156	B2-U0-G3	9531	151	B2-U0-G3	
	RC		9208	146	B2-U0-G2	9772	155	B2-U0-G3	9468	150	B2-U0-G3	
12L	2	70	12132	141	B3-U0-G2	12685	148	B3-U0-G2	12514	146	B3-U0-G2	86
	3		12333	143	B2-U0-G2	12894	150	B2-U0-G2	12721	148	B2-U0-G2	
	4		12277	143	B2-U0-G3	13029	152	B2-U0-G3	12623	147	B2-U0-G3	
	5W		11664	136	B4-U0-G2	12195	142	B4-U0-G2	12031	140	B4-U0-G2	
	FT		11935	139	B2-U0-G2	12479	145	B2-U0-G2	12311	143	B2-U0-G2	
	LC		12351	144	B2-U0-G3	13108	152	B2-U0-G3	12700	148	B2-U0-G3	
	RC		12271	143	B2-U0-G3	13022	151	B2-U0-G3	12617	147	B2-U0-G3	
15L	2	70	14220	128	B3-U0-G2	15167	137	B3-U0-G2	14488	131	B3-U0-G2	111
	3		14938	135	B2-U0-G2	15933	144	B2-U0-G2	15219	137	B2-U0-G2	
	4		14792	133	B2-U0-G4	15698	141	B2-U0-G4	15209	137	B2-U0-G4	
	5W		14304	129	B4-U0-G2	15257	137	B4-U0-G2	14574	131	B4-U0-G2	
	FT		14342	129	B2-U0-G2	15297	138	B2-U0-G2	14612	132	B2-U0-G2	
	LC		14881	134	B2-U0-G3	15793	142	B2-U0-G3	15301	138	B2-U0-G3	
	RC		14784	133	B2-U0-G3	15689	141	B2-U0-G3	15201	137	B2-U0-G3	
18L	2	70	16438	122	B3-U0-G2	17532	130	B3-U0-G3	16747	124	B3-U0-G2	135
	3		17267	128	B3-U0-G3	18417	137	B3-U0-G3	17592	131	B3-U0-G3	
	4		17101	127	B3-U-G4	18149	134	B3-U-G4	17584	130	B3-U-G4	
	5W		16535	123	B4-U0-G2	17636	133	B5-U0-G2	16846	125	B4-U0-G2	
	FT		16578	123	B3-U0-G2	17682	131	B3-U0-G2	16890	125	B3-U0-G2	
	LC		17204	127	B3-U0-G3	18258	135	B3-U0-G3	17689	131	B3-U0-G3	
	RC		17091	127	B2-U0-G3	18138	134	B2-U0-G3	17574	130	B2-U0-G3	
21L	2	70	19488	118	B3-U0-G3	20786	126	B3-U0-G3	19885	120	B3-U0-G3	165
	3		20472	124	B3-U0-G3	21835	132	B3-U0-G3	20857	126	B3-U0-G3	
	4		20279	123	B3-U0-G4	21521	130	B3-U0-G5	20851	126	B3-U0-G5	
	5W		19604	119	B5-U0-G3	20909	126	B5-U0-G3	19973	121	B5-U0-G3	
	FT		19655	119	B3-U0-G3	20964	127	B3-U0-G3	20025	121	B3-U0-G3	
	LC		20401	124	B3-U0-G4	21651	131	B3-U0-G4	20977	127	B3-U0-G4	
	RC		20268	123	B3-U0-G3	21509	130	B3-U0-G4	20840	126	B3-U0-G3	

*LEDs are frequently updated therefore values are nominal.

Mirada Small Area Light (MRS)

Type: _____

 Have questions? Call us at (800) 436-7800

PERFORMANCE

[Back to Quick Links](#)

DELIVERED LUMENS*												
Lumen Package	Distribution	CRI	3000K CCT			4000K CCT			5000K CCT			Wattage
			Delivered Lumens	Efficacy	BUG Rating	Delivered Lumens	Efficacy	BUG Rating	Delivered Lumens	Efficacy	BUG Rating	
24L	2	70	21976	112	B3-U0-G3	23439	120	B3-U0-G3	22390	114	B3-U0-G3	196
	3		23085	118	B3-U0-G3	24622	126	B3-U0-G3	23519	120	B3-U0-G3	
	4		23190	117	B3-U0-G5	24758	124	B3-U0-G5	23888	120	B3-U0-G5	
	5W		22105	113	B5-U0-G3	23578	120	B5-U0-G3	22522	115	B5-U0-G3	
	FT		22164	113	B3-U0-G3	23640	121	B3-U0-G3	22581	115	B3-U0-G3	
	LC		23330	117	B3-U0-G4	24907	125	B3-U0-G4	24032	121	B3-U0-G4	
	RC		23117	117	B3-U0-G4	24744	124	B3-U0-G4	23874	120	B3-U0-G4	
30L	2	70	30078	144	B4-U0-G3	29485	143	B4-U0-G4	30697	147	B4-U0-G3	209
	3		31711	154	B3-U0-G3	31086	151	B3-U0-G3	32364	157	B3-U0-G3	
	4		30459	148	B4-U0-G5	29858	145	B4-U0-G5	31085	151	B4-U0-G5	
	5W		30588	149	B5-U0-G3	29985	146	B5-U0-G3	31218	152	B5-U0-G3	
	FT		31585	153	B3-U0-G4	30962	150	B3-U0-G4	32235	156	B4-U0-G4	
	LC		32303	155	B3-U0-G5	31666	152	B3-U0-G5	32968	158	B3-U0-G5	
	RC		31943	153	B3-U0-G4	31313	150	B3-U0-G4	32600	156	B3-U0-G5	

*LEDs are frequently updated therefore values are nominal.

LUMEN SCALING FACTOR		
70CRI - 80CRI	3000K 70CRI - 3500K 80CRI	3000K 70CRI - 2700K 80CRI
0.93	1.00	0.86

ELECTRICAL DATA (AMPS)*						
Lumens	120V	208V	240V	277V	347V	480V
6L	0.34	0.20	0.17	0.15	0.12	0.09
9L	0.52	0.30	0.26	0.23	0.18	0.13
12L	0.72	0.41	0.36	0.31	0.25	0.18
15L	0.93	0.53	0.46	0.40	0.32	0.23
18L	1.12	0.65	0.56	0.49	0.39	0.28
21L	1.38	0.80	0.69	0.60	0.48	0.34
24L	1.63	0.94	0.82	0.71	0.56	0.41
30L	1.74	1.00	0.87	0.75	0.60	0.43

*Electrical data at 25°C (77°F). Actual wattage may differ by +/-10%

RECOMMENDED LUMEN MAINTENANCE ¹					
Ambient Temp	Lumen Multiplier				
	0 hrs. ²	25K hrs. ²	50K hrs. ²	75K hrs. ³	100K hrs. ³
0 C - 25 C	100%	95%	89%	84%	79%
40 C	100%	94%	87%	80%	74%

- Lumen maintenance values at 25°C are calculated per TM-21 based on LM-80 data and in-situ luminaire testing.
- In accordance with IESNA TM-21-11, Projected Values represent interpolated value based on time durations that are within six times (6X) the IESNA LM-80-08 total test duration (in hours) for the device under testing ((DUT) i.e. the packaged LED chip).
- In accordance with IESNA TM-21-11, Calculated Values represent time durations that exceed six times NA LM-80-08 total test duration (in hours) for the device under testing ((DUT) i.e. the packaged LED chip).

Mirada Small Area Light (MRS)

Type: _____

 Have questions? Call us at (800) 436-7800

PHOTOMETRICS

[Back to Quick Links](#)

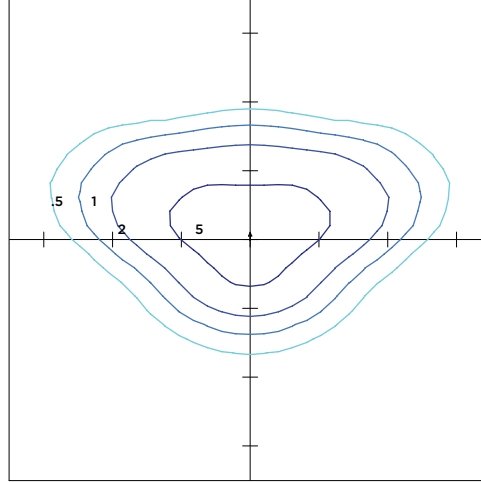
Luminaire photometry has been conducted by an accredited laboratory in accordance with IESNA LM-79. As specified by IESNA LM-79 the entire luminaire is tested as the source resulting in a luminaire efficiency of 100%.

MRS-LED-18L-SIL-2-40-70CRI

Luminaire Data	
Type 2 Distribution	
Description	4000 Kelvin, 70 CRI
Delivered Lumens	17,532
Watts	135
Efficacy	130
IES Type	Type II - Short
BUG Rating	B3-U0-G3

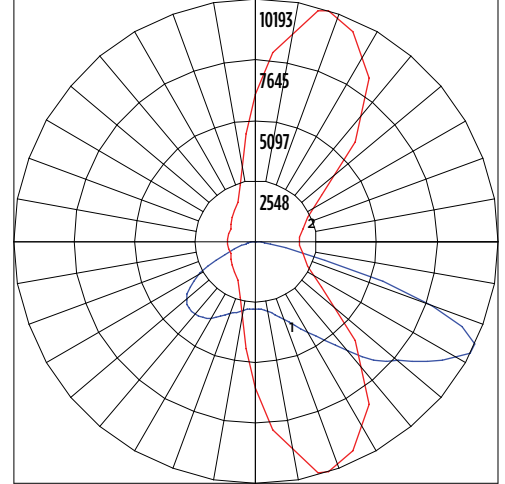
Zonal Lumen Summary		
Zone	Lumens	% Luminaire
Low (0-30)°	2831	16%
Medium (30-60)°	10310	59%
High (60-80)°	4208	24%
Very High (80-90)°	184	1%
Uplight (90-180)°	0	0%
Total Flux	17532	100%

ISO Footcandle



20' Mounting Height / 20' Grid Spacing
 ■ 5 FC ■ 2 FC ■ 1 FC ■ 0.5 FC

Polar Curve



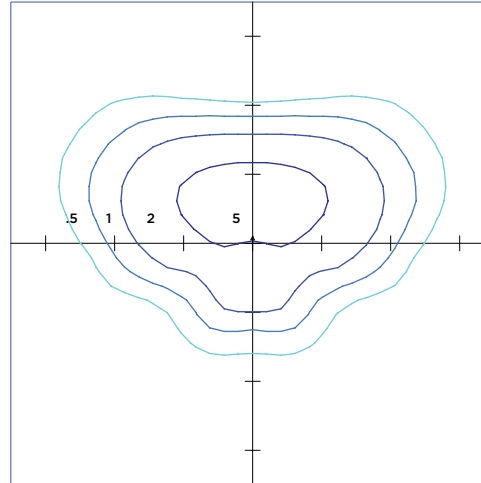
■ Vertical Plane ■ Horizontal Cone

MRS-LED-18L-SIL-3-40-70CRI

Luminaire Data	
Type 3 Distribution	
Description	4000 Kelvin, 70 CRI
Delivered Lumens	18,417
Watts	135
Efficacy	137
IES Type	Type III - Short
BUG Rating	B3-U0-G3

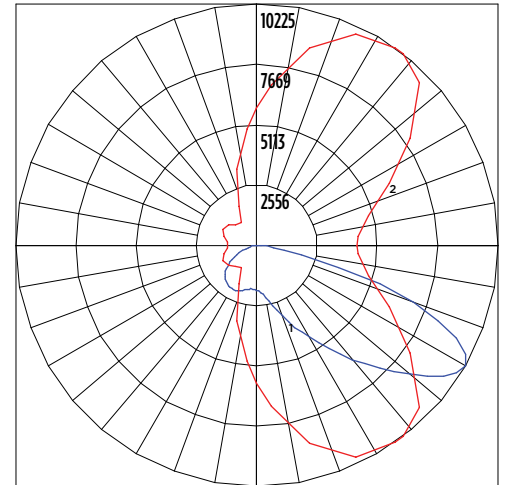
Zonal Lumen Summary		
Zone	Lumens	% Luminaire
Low (0-30)°	2329	13%
Medium (30-60)°	10634	61%
High (60-80)°	5246	30%
Very High (80-90)°	208	1%
Uplight (90-180)°	0	0%
Total Flux	18417	100%

ISO Footcandle



20' Mounting Height / 20' Grid Spacing
 ■ 5 FC ■ 2 FC ■ 1 FC ■ 0.5 FC

Polar Curve



■ Vertical Plane ■ Horizontal Cone

Mirada Small Area Light (MRS)

Type: _____

 Have questions? Call us at (800) 436-7800

PHOTOMETRICS (CONT)

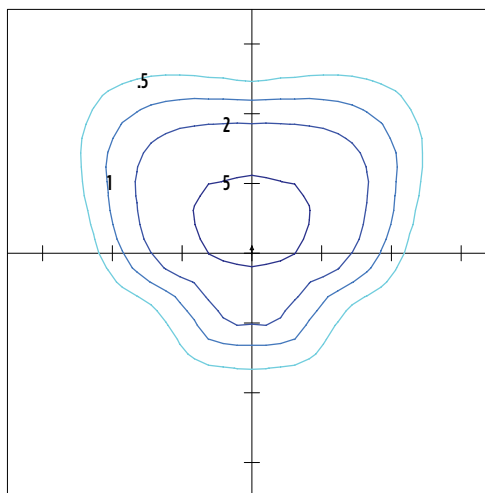
[Back to Quick Links](#)

MRS-LED-18L-SIL-FT-40-70CRI

Luminaire Data	
Type FT Distribution	
Description	4000 Kelvin, 70 CRI
Delivered Lumens	17,682
Watts	135
Efficacy	131
IES Type	Type III - Short
BUG Rating	B3-U0-G2

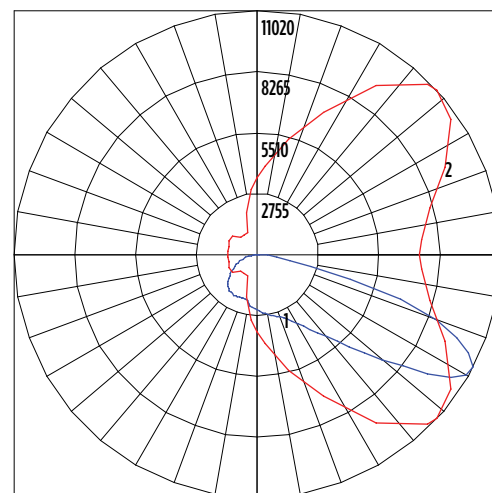
Zonal Lumen Summary		
Zone	Lumens	% Luminaire
Low (0-30)°	2255	13%
Medium (30-60)°	9463	54%
High (60-80)°	5696	32%
Very High (80-90)°	268	2%
Uplight (90-180)°	0	0%
Total Flux	17682	100%

ISO Footcandle



20' Mounting Height / 20' Grid Spacing
 ■ 5 FC ■ 2 FC ■ 1 FC ■ 0.5 FC

Polar Curve



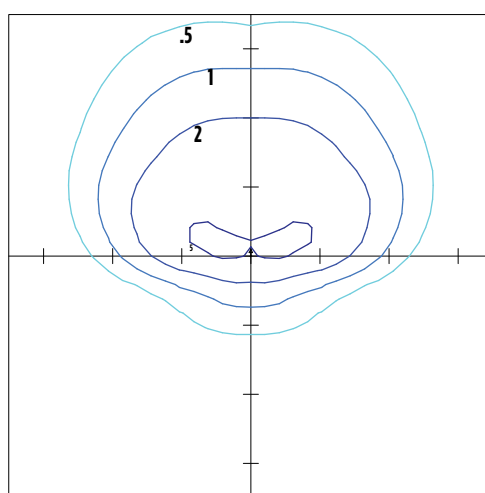
■ Vertical Plane ■ Horizontal Cone

MRS-LED-18L-SIL-4-40-70CRI

Luminaire Data	
Type 4 Distribution	
Description	4000 Kelvin, 70 CRI
Delivered Lumens	18,149
Watts	135
Efficacy	134
IES Type	Type IV - Very Short
BUG Rating	B3-U0-G4

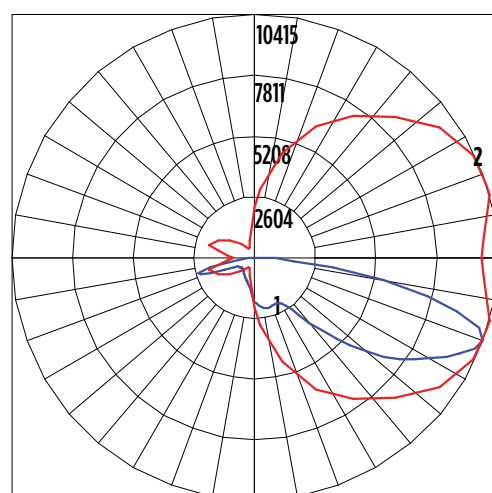
Zonal Lumen Summary		
Zone	Lumens	% Luminaire
Low (0-30)°	1671	9%
Medium (30-60)°	7615	42%
High (60-80)°	8074	44%
Very High (80-90)°	790	4%
Uplight (90-180)°	0	0%
Total Flux	18149	100%

ISO Footcandle



20' Mounting Height / 20' Grid Spacing
 ■ 5 FC ■ 2 FC ■ 1 FC ■ 0.5 FC

Polar Curve



■ Vertical Plane ■ Horizontal Cone

Mirada Small Area Light (MRS)

Type: _____

 Have questions? Call us at (800) 436-7800

PHOTOMETRICS (CONT)

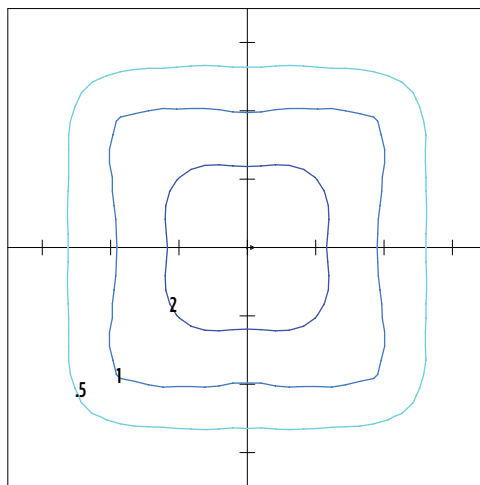
[Back to Quick Links](#)

MRM-LED-30L-SIL-5W-40-70CRI

Luminaire Data	
Type 5W Distribution	
Description	4000 Kelvin, 70 CRI
Delivered Lumens	17,636
Watts	135
Efficacy	131
IES Type	Type VS - Short
BUG Rating	B4-U0-G2

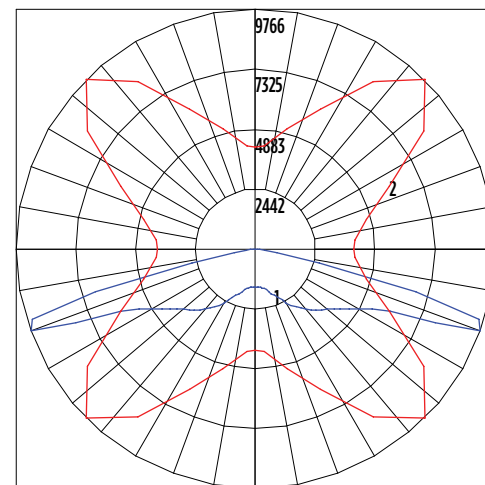
Zonal Lumen Summary		
Zone	Lumens	% Luminaire
Low (0-30)°	1646	9%
Medium (30-60)°	7453	43%
High (60-80)°	8405	48%
Very High (80-90)°	132	1%
Uplight (90-180)°	0	0%
Total Flux	17636	100%

ISO Footcandle



20' Mounting Height / 20' Grid Spacing
 ■ 5 FC ■ 2 FC ■ 1 FC ■ 0.5 FC

Polar Curve



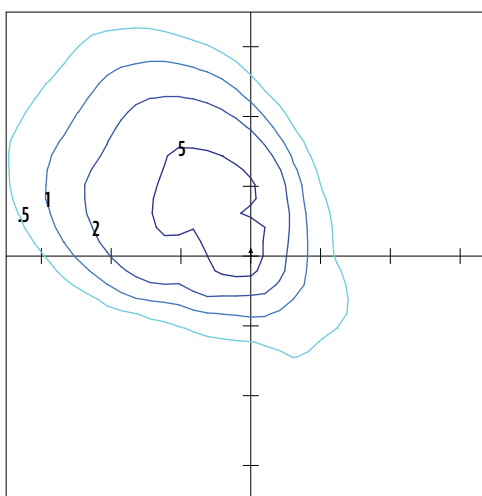
■ Vertical Plane ■ Horizontal Cone

MRS-LED-18L-SIL-LC-40-70CRI

Luminaire Data	
Left Corner Distribution	
Description	4000 Kelvin, 70 CRI
Delivered Lumens	18,258
Watts	135
Efficacy	135
IES Type	N/A
BUG Rating	B3-U0-G3

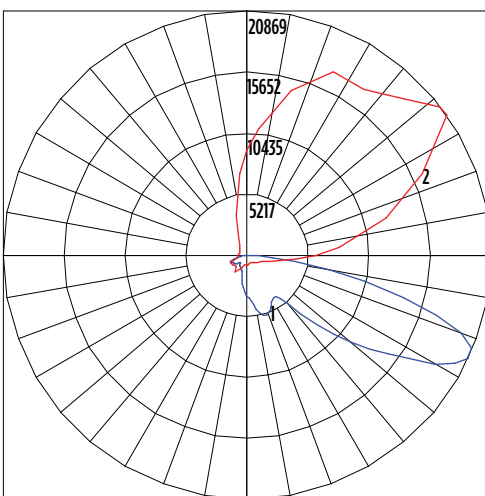
Zonal Lumen Summary		
Zone	Lumens	% Luminaire
Low (0-30)°	2412	13%
Medium (30-60)°	7504	41%
High (60-80)°	7698	42%
Very High (80-90)°	644	4%
Uplight (90-180)°	0	0%
Total Flux	18258	100%

ISO Footcandle



20' Mounting Height / 20' Grid Spacing
 ■ 5 FC ■ 2 FC ■ 1 FC ■ 0.5 FC

Polar Curve



■ Vertical Plane ■ Horizontal Cone

Mirada Small Area Light (MRS)

Type: _____

Have questions? Call us at (800) 436-7800

PHOTOMETRICS (CONT)

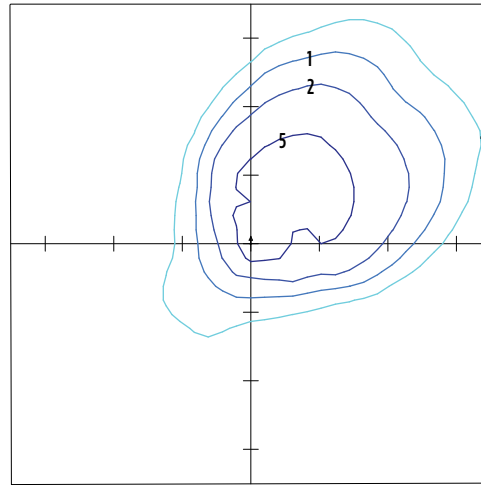
[Back to Quick Links](#)

MRM-LED-30L-SIL-5W-40-70CRI

Luminaire Data	
Right Corner Distribution	
Description	4000 Kelvin, 70 CRI
Delivered Lumens	18,138
Watts	135
Efficacy	134
IES Type	N/A
BUG Rating	B3-U0-G3

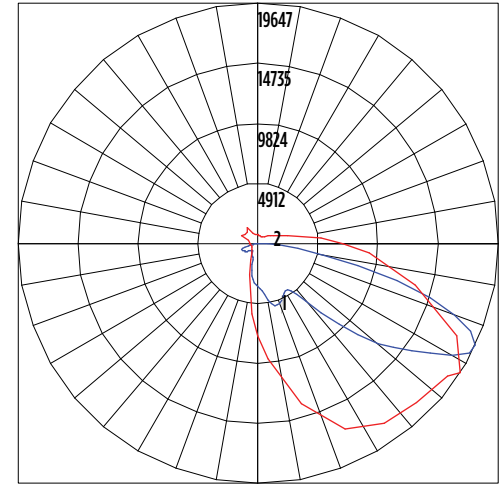
Zonal Lumen Summary		
Zone	Lumens	% Luminaire
Low (0-30)°	2317	13%
Medium (30-60)°	8066	44%
High (60-80)°	7214	40%
Very High (80-90)°	541	3%
Uplight (90-180)°	0	0%
Total Flux	18138	100%

ISO Footcandle



20' Mounting Height / 20' Grid Spacing
 ■ 5 FC ■ 2 FC ■ 1 FC ■ 0.5 FC

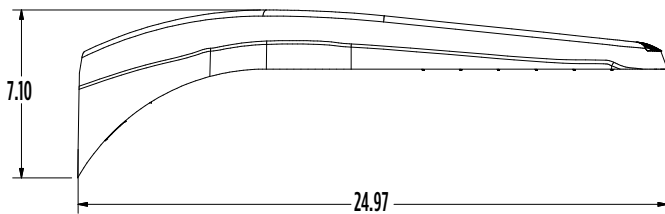
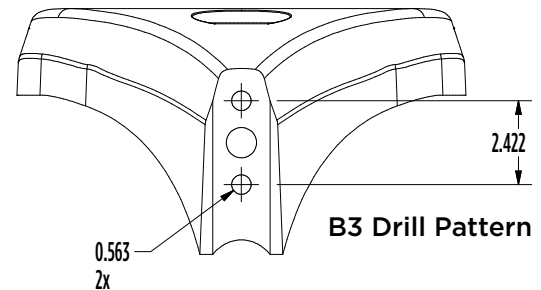
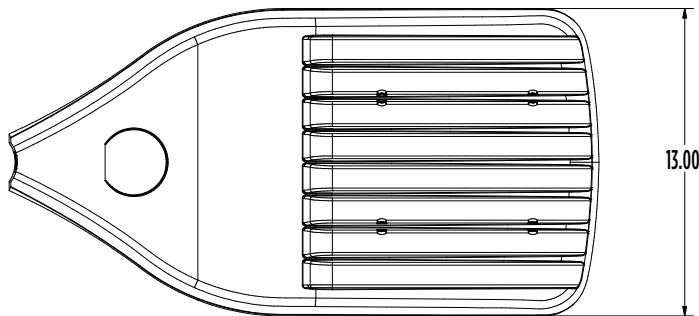
Polar Curve



■ Vertical Plane ■ Horizontal Cone

PRODUCT DIMENSIONS

[Back to Quick Links](#)



Luminaire EPA Chart					
Tilt Degree		0°	15°	30°	45°
	Single	0.4	0.7	1.1	1.5
	D180°	0.8	1.5	1.9	2.4
	D90°	0.9	1.5	1.9	2.4
	T90°	0.9	1.6	2.1	2.5
	TN120°	0.9	1.9	2.7	3.0
	Q90°	0.9	1.6	2.1	2.5

CONTROLS

[Back to Quick Links](#)

Integral Bluetooth™ Motion and Photocell Sensor (IMSBTxL)

Slim low profile sensor provides multi-level control based on motion and/or daylight. Sensor controls 0-10 VDC LED drivers and is IP66 rated for cold and wet locations (-40°F to 167°F). Two unique PIR lenses are available and used based on fixture mounting height. All control parameters are adjustable via an iOS or Android App capable of storing and transmitting sensor profiles.

[Click here to learn more details about IMSBT](#)



LEVITON App



Apple



Android

AirLink Blue (ALBMRxLR, ALBCSx)

Wireless Bluetooth Mesh Lighting Control System that incorporates Luminaire Level Lighting Controls (LLLC) and high-end trim to provide energy savings code compliance and enhanced safety/security for parking lots and parking garages. Three key components; Bluetooth wireless radio/sensor controller, Time Keeper and an iOS App with technology partner Silvair. Capable of grouping multiple fixtures and sensors as well as scheduling time-based events by zone. Radio/Sensor Controller is factory integrated into Area/Site, Wall Mounted, Parking Garage and Canopy luminaires.

[Click here to learn more details about AirLink Blue](#)



AirLink Blue App



Apple

Sensor Sequence of Operations

Standard Programming	On Event	Off Event	On Light Level	Dim Light Level	Daylight Harvesting	Delay To Off	Sensitivity
IMSBTxL	Motion	No Motion	100%	N/A	On; Auto Calibration	20 minutes	High

Operation	Description
On Event	Trigger that activates lights to turn on; either automatic via motion detected or manually activated via push of button.
Off Event	Trigger that activates lights to turn off; either automatic via no motion detected or manually activated via push of button.
On Light Level	The light level that the fixtures will turn on to when ON EVENT occurs.
Dim Light Level	The light level that the fixtures will dim down to when no motion is detected.
Delay to Dim	The amount of time after which no motion is detected that the fixtures will be triggered to dim down. This sequence is optional, and sensor can be programmed to only trigger the fixture to turn off by entering 100% in this field.
Delay to Off	The amount of time after which no motion is detected that the fixtures will be triggered to turn off. If delay to dim is part of the programmed functionality, this is the amount of time after which no motion is detected after the fixture have already dimmed down.
Sensitivity	The sensitivity can be set to high, medium, low, or auto where applicable. High will detect smaller, simple motions. Low will only detect larger more complex motions. Auto temperature calibration adjusts the PIR sensitivity as ambient temperature rises to increase detection of heat movement through the field of view.