

STANLEY TERRACE

JULY 15, 2021



TECHLITE

ILLUMINATING SINCE 1987

Techlite Corporation
7718 Loma Court
Fishers, IN 46038
317.578.2626 P
317.578.2727 F
www.techlitecorp.com



TECHLITE

ILLUMINATING SINCE 1987

Techlite Corporation
7718 Loma Court
Fishers, IN 46038
317.578.2626 P
317.578.2727 F
www.techlitecorp.com

To:	<h2 style="margin: 0;">Submittal</h2> <p style="margin: 5px 0;">Source Quote: TLAP001468 Entry Date: 7/14/2021 Project: STANLEY TERRACE</p>
-----	---

**Original Submittal for Prior Approval
1 Copy of Submittals is Attached**

Type	Mfg	Description
D2	SPECTRUM LIGHTING	C0606GV-15L-30K-DRIVE-TSG-SO-SM-EMCR-FINISH
H4	LUMCA	PL70-EHD14 M1
H4	LUMCA	CP2401- 48LED05-40K-L4
WP4	TRACE-LITE	WLZ4-4-3K-FINISH
H5	LUMCA	PL70-EHD14 M1
H5	LUMCA	CP2401- 36LED07-40K-L5S
H3	LUMCA	PL70-EHD14 M1
H3	LUMCA	CP2401- 54LED05-40K-L3
WP3-EM	TRACE-LITE	WLZ4-4-3K-FINISH-BB
S1	OPTEC LED	0LFLS-20-VOLT-30-5X5-MOUNT-FINISH-UV

--	--	--

Remarks:



Description : C0606GV-15L-30K-DRIVE-TSG-SO-SM-EMCR-FINISH
 Project Name: **STANLEY TERRACE**

TYPE:

D2

Notes:



6" ROUND DIRECT
 GENERAL ILLUMINATION



C0606GV - CEILING MOUNT

APPLICATION

6" round x 6" high cylinder luminaire for general illumination.

FEATURES

Spectrum's Cylinder series provides traditional architectural style with high performance and energy efficient illumination. Rugged design with flexible mounting, finish and LED options make these extremely versatile fixtures. Two stage optical system design delivers smooth general illumination.

FINISH

Multi-stage polyester powder-coat process applied on our dedicated paint lines. See mounting and color pages for standard finishes. All exposed materials are chromate pretreated to resist corrosion.

ELECTRONICS

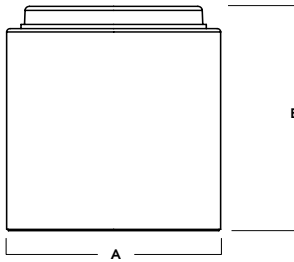
GV LED system features high brightness white Samsung LED's. 3-step MacAdam Ellipse binning. Standard CRI: 85+. Higher CRI, R9 and custom LED configurations are available; consult factory. Variety of electronic 120V/277V and dimming drivers.

CONSTRUCTION

Spun seamless aluminum fixture housing. Stainless steel hardware with galvanized steel brackets to resist corrosion. One piece reflector trim spun from .063 thick high purity aluminum and finished to specification.

CODE COMPLIANCE

BAA compliant. ETL certified to meet US and Canadian standards. Suitable for dry or damp locations. Manufactured and tested to UL standards No. 1598/8750.



A	B
6.1 154.9 mm	6.7 170.2 mm

LUMENS / WATTAGE DATA				
PART NUMBER	SOURCE LUMENS ¹	DELIVERED LUMENS ²	SYSTEM WATTS	LPW
C0606GV15L	1500	1151	10.0	115

PLEASE SPECIFY

PLEASE SPECIFY

SERIES	LUMENS ¹	CCT	DRIVER / DIMMING ³	OPTIONS ⁴	TRIM	MOUNTING ⁵	FINISH ⁹
C0606GV	15L 1500 Lm	27K 2700K 30K 3000K 35K 3500K 40K 4000K 50K 5000K	EX Electronic Driver, 120V/277V DS10X 10%, 0-10V, 120V/277V DS2W1 ELV / MLV, 120V	FS Fuse Holder and Fuse	TSG Semi Diffuse Low Iridescent Clear TCY Same Color as Cylinder TMW Matte White TCC Custom Color LENS SO ⁷ Micro Prism Solite™ Lens FG Frosted Glass Lens	HM ⁷ Hang Straight PM ⁷ Rigid Pendant Mount AT ⁷ Hang Straight All Thread CD3X ^{7/8} 3X Cord / Cable Mount SM Surface Mount EMERGENCY BATTERY OPTIONS EMCR 10W Canopy Mounted EM EMRM 7W Remote EM EMEN 7W Remote with Enclosure	MW ¹⁰ Matte White MB ¹⁰ Matte Black PT ¹⁰ Platinum Silver CC Custom Color See Page 5 for Full Range of Color Options (83-90095)

EXAMPLE: C0606GV15L35KEX/TSGSO/HM36/MB

NOTES:
 1 Nominal Source Lumens at 35K 2 Nominal Delivered Lumens at 35K with TSG-SO 3 Contact Factory for Additional Options 4 See Product Options Page For Details 5 Standard Lens 6 See Mounting Page for Details on Components and Finishes 7 Specify Length in Inches: See Mounting Page for Available Lengths 8 EMxxxx Option Requires 2 Cords 9 See Color Page for More Options/Consult Factory for Special Finishes 10 Standard Finishes



PROJECT: _____
 TYPE: _____



Dimensions and values shown are nominal. Spectrum Lighting continually works to improve products and reserves the right to make changes which may alter the performance or appearance of products.



Description : C0606GV-15L-30K-DRIVE-TSG-SO-SM-EMCR-FINISH
 Project Name:

STANLEY TERRACE

TYPE:

D2

Notes:

6" ROUND DIRECT

GENERAL ILLUMINATION / FIXTURE OPTIONS



STANDARD FINISHES

MW
MATTE WHITE



MB
MATTE BLACK

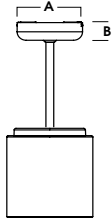


PT
PLATINUM SILVER



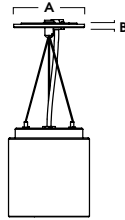
MOUNTING TYPES

HM / PM / AT
HANG STRAIGHT / PENDANT / ALL THREAD



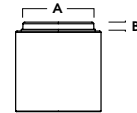
A	B
5.0	1.5
127.0 mm	38.1 mm

CD3X
3X CORD / CABLE MOUNT



A	B
5.0	.25
127.0 mm	6.4 mm

SM
SURFACE MOUNT



A	B
5.0	.525
127.0 mm	13.3 mm



Description : C0606GV-15L-30K-DRIVE-TSG-SO-SM-EMCR-FINISH

Project Name:

STANLEY TERRACE

TYPE:

D2

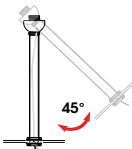
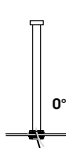
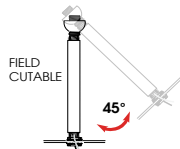
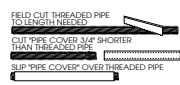
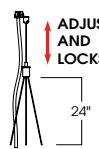
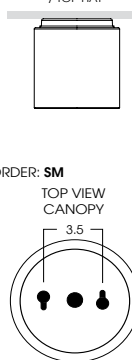
Notes:

STANDARD MOUNTING & ACCESSORIES

SOME OPTIONS NOT AVAILABLE ON ALL FIXTURES. CONSULT SPECIFICATION SHEETS. SEE INDIVIDUAL SPECIFICATION SHEETS OR CONSULT FACTORY FOR ADDITIONAL INFORMATION. NOTE: THIS IS TYPICAL OF CYLINDERS SPECIFICATION FOR PENDANT MOUNTING. INDIVIDUAL FIXTURES OR PROJECTS MAY HAVE SPECIALIZED REQUIREMENTS.



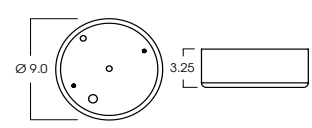
MOUNTING TYPES

<p>HM* HANG STRAIGHT 45° SWIVEL 5/8" OD STEM - 3/8" IP</p>  <p>ORDER: HM (Length) SPECIFY LENGTH: HM3 - 3" HM24 - 24" HM6 - 6" HM36 - 36" HM12 - 12" HM48 - 48" HM18 - 18" HM72 - 72" HMLC(XX) Custom Length (Specify in Inches)</p>	<p>PM* RIGID PENDANT MOUNT RIGID 5/8" OD STEM - 3/8" IP</p>  <p>ORDER: PM (Length) SPECIFY LENGTH: PM3 - 3" PM24 - 24" PM6 - 6" PM36 - 36" PM12 - 12" PM48 - 48" PM18 - 18" PM72 - 72" PMLC(XX) Custom Length (Specify in Inches)</p>	<p>AT** HANG STRAIGHT ALL THREAD 45° SWIVEL 5/8" OD STEM - 1/4" IP</p>  <p>ORDER: AT (Length) SPECIFY LENGTH: AT12 - 12" AT24 - 24" AT36 - 36"</p> 	<p>CD3X CORD / CABLE MOUNT SJ CORD WITH 1/16 SS CABLE</p>  <p>ORDER: CDX3 (Length) SPECIFY LENGTH: CD3X36 - 36" CD3X72 - 72" CD3X144 - 144" CDLC3X(XX) Custom Length (Specify in Inches)</p>	<p>SM SURFACE MOUNT WIRING COMPARTMENT / TOP HAT</p>  <p>ORDER: SM TOP VIEW CANOPY 3.5 KEY SLOTS MOUNT CANOPY TO WALL JUNCTION BOX. JUNCTION BOX IS COVERED.</p>
--	---	---	---	---

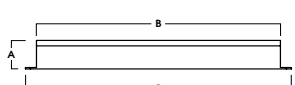
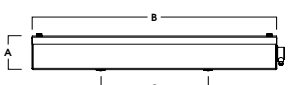
*MAXIMUM ONE PIECE STEM LENGTH IS 72" **MAXIMUM ONE PIECE STEM LENGTH IS 36". LONGER LENGTHS ARE POSSIBLE USING MULTIPLE STEMS AND COUPLERS.

EMERGENCY BATTERY OPTIONS

EMCR - LARGE DRIVER CANOPY FOR 10W EMERGENCY BATTERY



REMOTE EMERGENCY BATTERY OPTIONS

<p>EMRM* - 7W REMOTE EMERGENCY BATTERY (50' MAX)</p>  <table border="1"> <thead> <tr><th>A</th><th>B</th><th>C</th></tr> </thead> <tbody> <tr><td>1.3</td><td>12.6</td><td>13.0</td></tr> </tbody> </table>	A	B	C	1.3	12.6	13.0	<p>EMEN* - 7W REMOTE EMERGENCY BATTERY WITH ENCLOSURE (50' MAX)</p>  <table border="1"> <thead> <tr><th>A</th><th>B</th><th>C</th></tr> </thead> <tbody> <tr><td>2.0</td><td>17.0</td><td>6.2</td></tr> </tbody> </table>	A	B	C	2.0	17.0	6.2
A	B	C											
1.3	12.6	13.0											
A	B	C											
2.0	17.0	6.2											

*OTHER EM BATTERY SIZES AVAILABLE, CONSULT FACTORY



Description : C0606GV-15L-30K-DRIVE-TSG-SO-SM-EMCR-FINISH
 Project Name: **STANLEY TERRACE**

TYPE:

D2

Notes:

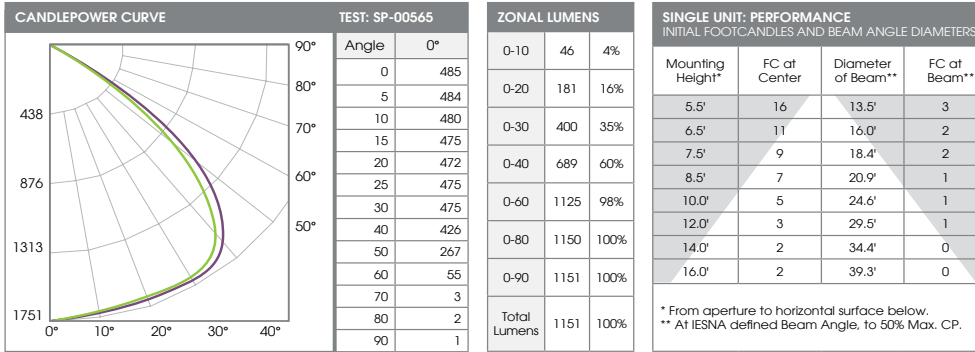
6" ROUND DIRECT

GENERAL ILLUMINATION / PHOTOMETRIC DATA



C0606GV-15L35K-EX-TSG-SO

15L - 85 CRI



Green: 0-180
 Purple: 67.5-247.50

Delivered Lumens: 1151 CP @ 0° (Nadir): 485
 Luminaire Watts: 10 Beam Angle: 101.7°
 LER: 115 CRI: 85

Spacing Ratio: 1.46



Description : C0606GV-15L-30K-DRIVE-TSG-SO-SM-EMCR-FINISH

Project Name:

STANLEY TERRACE

TYPE:

D2

Notes:

COLOR OPTIONS - POWDER COAT PAINT FINISHES

NOTE: NO PRINTED IMAGE CAN EQUAL THE EXACT COLOR OF FINISH ON METAL. SEE INDIVIDUAL SPECIFICATION SHEETS OR CONSULT FACTORY FOR ADDITIONAL INFORMATION.



STANDARD CORD / STEM / CANOPY FINISHES

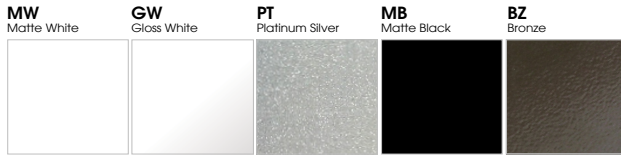
FIXTURE COLOR	STANDARD CORD COLOR	STANDARD CANOPY / STEM COLOR
Matte White, Textured White	Matte White	Matte White
Gloss White	Matte White	Gloss White
Matte Black, Textured Black	Matte Black	Matte Black
All Others	Matte Black	Same Color as Fixture
Custom Color	Contact Factory	Contact Factory

PAINT TIMES

TIER	COST	AVERAGE PAINT TIME*
Tier 1 - Standard Finishes	\$	🕒
Tier 2 - Typical Finishes	\$\$	🕒🕒
Custom Color	Contact Factory	Contact Factory

*CONTACT FACTORY FOR SPECIFIC PRODUCT LEAD TIMES

TIER 1 - STANDARD FINISHES



TIER 2 - TYPICAL FINISHES



CUSTOM COLOR FINISHES

CONTACT FACTORY

CC
Custom Color



*UNAVAILABLE FOR WET LOCATION



Description : L70-EHD14 M1 CP2401- 48LED05-40K-L4

Project Name:

STANLEY TERRACE

TYPE:

H4

Notes:

PL70



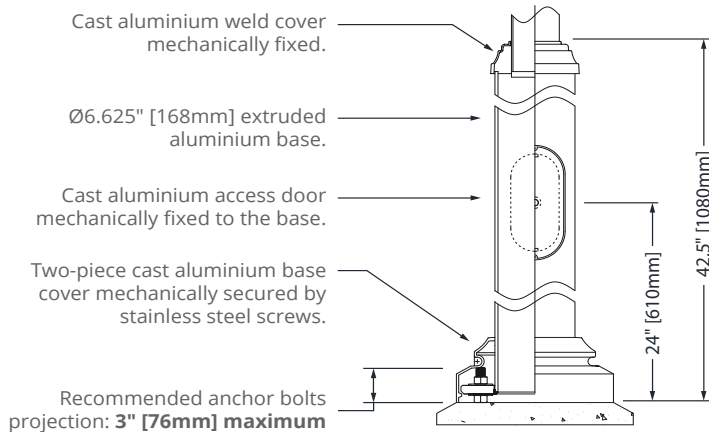
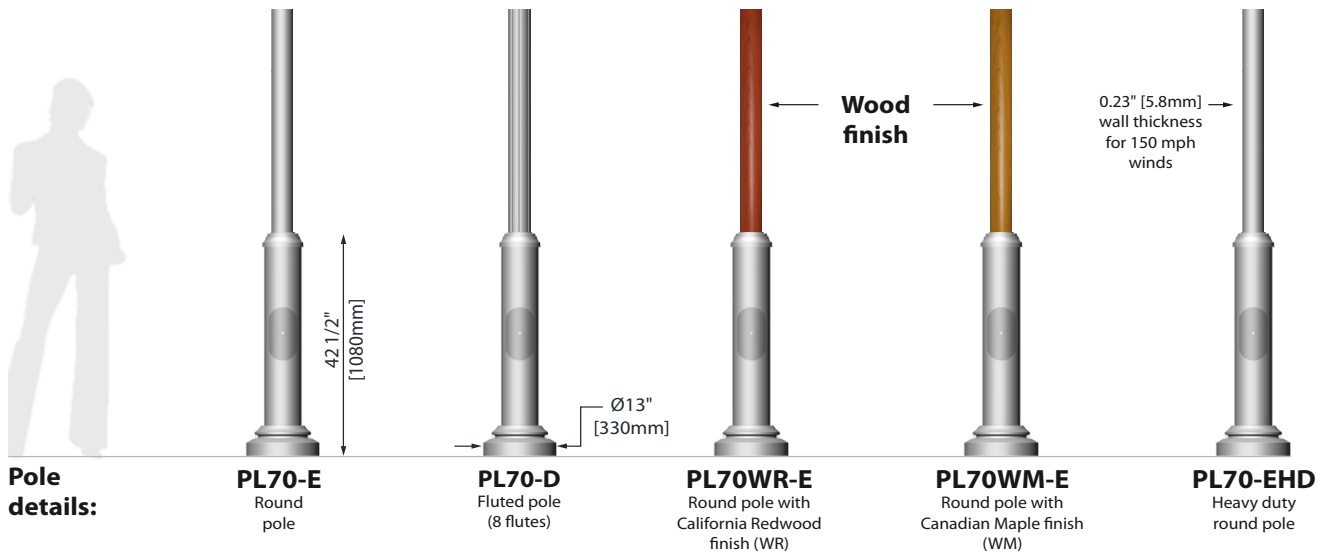
Round: PL70-E

Fluted: PL70-D

Technical informations

Date	City / Location	Project name
<input type="text"/>	<input type="text"/>	<input type="text"/>
Type	QTY	
<input type="text"/>	<input type="text"/>	

Aluminium Ø4" [102mm] poles with Ø 6.625" [168mm] muffler type base.



CONSTRUCTION

- Cast aluminium: 356.1
- Extruded aluminium: 6061-T6
- Ø4" [102mm] extruded aluminium tube. E= straight or D= fluted (8 flutes).
- Access door: 5" [127mm] × 13" [330mm] cast aluminium.
- Extruded aluminium anchor base plate welded inside and outside the perimeter of the tube.
- Two-piece injection molded aluminium base cover held captive by the anchor base plate.
- Copper ground lug.
- Stainless steel hardware.
- All metallic parts are pretreated using an environmentally friendly organic phosphating technology (PLAFORIZATION) before a polyester powder coating is electrostatically applied.
- Four (4) galvanized steel 3/4-10×15" anchor bolts with eight (8) washers and nuts (9.95 lb [4.52 kg]).

Ordering example: PL70-E16 BK BH60-23-S GFR

Pole	Height ⓘ	Color	Options ⓘ	Anchor Bolts
<input type="text"/>	<input type="text"/>	<input type="text"/>	<input type="text"/>	<input type="checkbox"/> Supplied by LUMCA <input type="checkbox"/> Supplied by others <input type="checkbox"/> Existing
Bolt circle Ø 9" [229mm] to 10" [254mm]				

Lumca reserves the right to modify the elements on this technical data sheet without prior notice.

Click on ⓘ for more information



T : 877.650.1693 | www.lumca.com



Description : L70-EHD14 M1 CP2401- 48LED05-40K-L4

Project Name:

STANLEY TERRACE

TYPE:

H4

Notes:

PL70

Round: PL70-E

Fluted: PL70-D

EPA chart**PL70-E** round aluminium pole

	catalogue #	HEIGHT		THICKNESS		BOLT CIRCLE		WEIGHT		MAX EPA (ft ²)*							
		ft	M	in	mm	in	mm	lb	kg	Wind (mph)							
		70	80	90	100	110	120	130	150								
Thickness 0.188" [4.8mm]	PL70-E12	12	3.7	.188	4.8	9	229	51	22.8	15.7	11.3	9.7	7.1	-	-	-	-
	PL70-E14	14	4.3	.188	4.8	9	229	56	25.1	11.7	8.1	6.8	4.7	-	-	-	-
	PL70-E16	16	4.9	.188	4.8	9	229	61	27.3	8.8	5.8	4.7	2.9	-	-	-	-
	PL70-E18	18	5.5	.188	4.8	10	254	66	29.6	6.6	4.0	3.1	1.5	-	-	-	-
	PL70-E20	20	6.1	.188	4.8	10	254	71	31.8	4.8	2.5	1.7	0.3	-	-	-	-

* Including a gust factor of 1.3

PL70-D fluted aluminium pole

	catalogue #	HEIGHT		THICKNESS		BOLT CIRCLE		WEIGHT		MAX EPA (ft ²)*							
		ft	M	in	mm	in	mm	lb	kg	Wind (mph)							
		70	80	90	100	110	120	130	150								
Thickness 0.125" [3.2mm]	PL70-D12	12	3.7	.125	3.2	9	229	49	21.9	11.1	7.7	6.5	4.5	-	-	-	-
	PL70-D14	14	4.3	.125	3.2	9	229	54	24.2	7.9	5.2	4.2	2.5	-	-	-	-
	PL70-D16	16	4.9	.125	3.2	9	229	59	26.4	5.5	3.2	2.4	1.0	-	-	-	-
	PL70-D18	18	5.5	.125	3.2	10	254	64	28.7	3.7	1.7	1.0	-	-	-	-	-
	PL70-D20	20	6.1	.125	3.2	10	254	69	30.9	2.1	0.4	-	-	-	-	-	-

* Including a gust factor of 1.3

PL70-EHD heavy duty round aluminium pole

	catalogue #	HEIGHT		THICKNESS		BOLT CIRCLE		WEIGHT		MAX EPA (ft ²)*							
		ft	M	in	mm	in	mm	lb	kg	Wind (mph)							
		70	80	90	100	110	120	130	150								
Thickness 0.230" [5.8mm]	PL70-EHD12	12	3.7	.230	5.8	9	229	51	23.1	50.1	38.4	30.5	23.7	19.6	15.5	13.4	9.6
	PL70-EHD14	14	4.3	.230	5.8	9	229	60	27.2	40.3	30.2	23.8	18.3	15.1	11.6	10.0	6.9
	PL70-EHD16	16	4.9	.230	5.8	9	229	68	30.8	32.9	24.5	19.1	14.5	11.8	8.7	7.5	4.9
	PL70-EHD18	18	5.5	.230	5.8	10	254	77	34.9	25.2	18.5	14.1	10.4	8.2	5.6	4.9	2.8
	PL70-EHD20	20	6.1	.230	5.8	10	254	85	38.6	21.3	15.3	11.4	8.2	6.3	3.9	3.4	1.6

* Including a gust factor of 1.3

Lumca reserves the right to modify the elements on this technical data sheet without prior notice.



T : 877.650.1693 | www.lumca.com



Description : L70-EHD14 M1 CP2401- 48LED05-40K-L4

Project Name:

STANLEY TERRACE

TYPE:

H4

Notes:

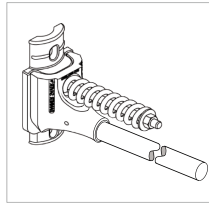
POLES OPTIONS



LR23-S
Single banner arm



LR23-D
Double banner arm



BEN-S Single flexible banner arm

BEN-D Double flexible banner arm



BH60-23-S
Single basket hanger



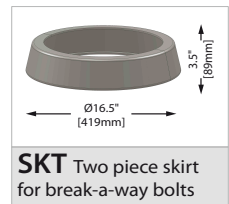
BH60-23-D
Double basket hanger



BH80-18-S
Single basket hanger



BH80-18-D
Double basket hanger



SKT Two piece skirt for break-a-way bolts



SH60-23-S
Single sign hanger



SH60-23-D
Double sign hanger



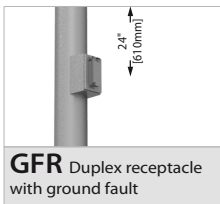
SH80-18-S
Single sign hanger



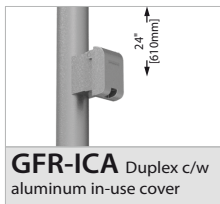
SH80-18-D
Double sign hanger



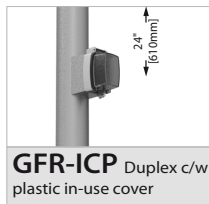
DPV
Vibration damper



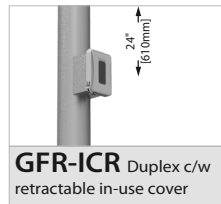
GFR Duplex receptacle with ground fault



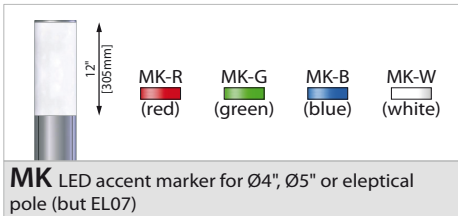
GFR-ICA Duplex c/w aluminum in-use cover



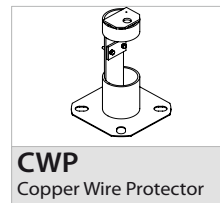
GFR-ICP Duplex c/w plastic in-use cover



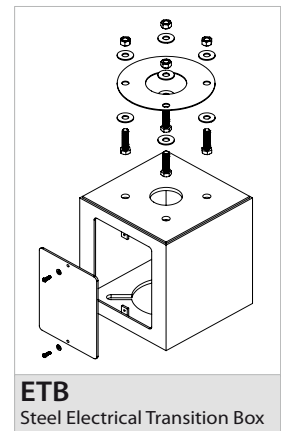
GFR-ICR Duplex c/w retractable in-use cover



MK LED accent marker for Ø4", Ø5" or eplectical pole (but EL07)



CWP
Copper Wire Protector



ETB
Steel Electrical Transition Box

Lumca reserves the right to modify the elements on this technical data sheet without prior notice.



T : 877.650.1693 | www.lumca.com



Description :

CP2401- 48LED05-40K-L4

TYPE:

Project Name:

STANLEY TERRACE

H4

Notes:

CONCEPT FAMILY

CP2401

Dark Sky with lens #4

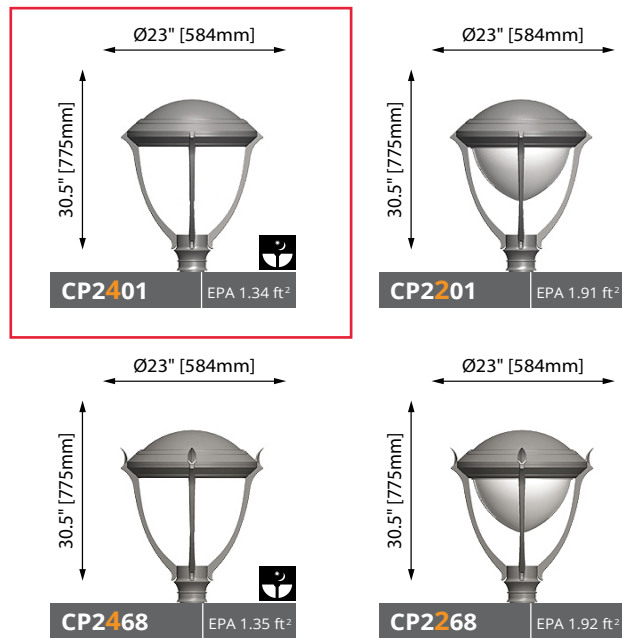


Date	City / Location	Project name
Type	QTY	

- 3000K (30K) and 4000K (40K).
- 1 to 4 LED modules (30 to 120 watts).
- Light distribution available in type II, III, IV and V.
- Tool-less access.
- IP66.
- CSA / CSA-US certified.
- Dark sky compliant with lens #4 (flat lens).



Weight: 31 lb - 14.1 kg



PLEASE SPECIFY

PLEASE SPECIFY

Ordering example: CP2401 36 LED07 80W 40K L3 120 BK RCD

Luminaire	Source	CCT	Dist. type	Voltage	Color
Options					
<input type="checkbox"/> BTP Button Type Photocell	<input type="checkbox"/> HSS House Side Shield	<input type="checkbox"/> RCD - Remote Control Dimmer (software N/I)		<input type="checkbox"/> SGP10 Surge Protection (10kV)	<input type="checkbox"/> SGP20 Surge Protection (20kV)
<input type="checkbox"/> TR Tenon Reducer	Existing Tenon Ø : <input type="text"/>	<input type="checkbox"/> PRG Programmable Driver			

Lumca reserves the right to modify the elements on this technical data sheet without prior notice.



T : 877.650.1693 | www.lumca.com



Description :

CP2401- 48LED05-40K-L4

TYPE:

Project Name:

STANLEY TERRACE

H4

Notes:

CONCEPT

FAMILY

Technical informations

Source Overview

Type II-III-V

530mA

- 18 LED05 30W
- 36 LED05 60W
- 54 LED05 90W
- 72 LED05 120W
- 18 LED07 40W
- 36 LED07 80W
- 54 LED07 120W

Type IV**

530mA

- 12 LED05 20W
- 24 LED05 40W
- 36 LED05 60W
- 48 LED05 80W
- 12 LED07 27W
- 24 LED07 54W
- 36 LED07 80W
- 48 LED07 107W

CCT Overview

- 30K (3000K)
 - 40K (4000K)
- For other CCT, consult factory

Voltage Overview

- 120
- 208
- 240
- 277
- 347
- 480

PLEASE SPECIFY

Distribution Overview

Type II

L2B



Type III

L3



L3FL



Type IV**

L4



Type V

L5S



COLOR Chart

See STD Color Chart Online

IES files

See Online

CONSTRUCTION

Decorative cast aluminium cage, supporting the luminaire housing, using alloys improving structural resistance and slip fitting on a 4" [102mm] O.D. pole or tenon, mechanically secured by (3) 5/16-18 UNC allen set screws. One piece extruded aluminium core topped with a heavy gauge spun aluminium hinged cover and an extruded aluminium lens frame containing the optical system. A silicon gasket insures the luminaire housing is protected from rain, insects and dust in accordance with international standard IP65. All cast aluminium pieces are in alloy 356, free of any porosity or foreign material. The minimum wall thickness of all castings is 0.188" [5mm]. Extruded aluminium parts are in alloy 6063-T4.

OPTICAL SYSTEM

The optical system consists of a high impact resistant acrylic lens, an aluminium heatsink dissipater and high intensity white light emitting diodes (LEDs) divided in 1 to 4 light modules. The optical system is hermetically sealed to meet the international standard IP66, to protect it against lumen depreciation due to dust or insect infiltrations, preserving an optimal light output over the years and eliminating periodic cleaning of the lens.

Lens Type details

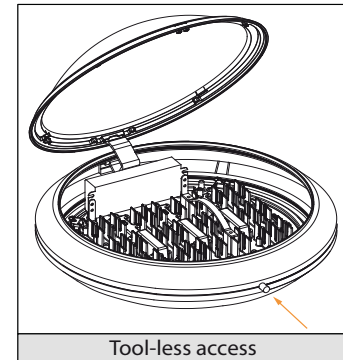
- #1 : Marine style lens, high impact resistant acrylic, prismatic.
- #2 : Conic style lens, high impact resistant acrylic, prismatic.
- #6 : Drop lens, high impact resistant acrylic, prismatic.
- #4 : Flat lens, tempered glass.

DRIVER

Constant current, -40°C [-40°F] to 80°C [176°F], PF 0.99, 0-10v, 120V to 277V / 347V to 480V.

Tool-less access

All hardware is in stainless steel



FINISH

Powder coating minimum thickness 100 microns, ASTM D2247 5000 hours salt spray test. All metallic parts are pre-treated using an environmentally friendly organic phosphating technology (PLAFORIZATION) before a polyester powder coating is electrostatically applied. The finish is of 100 microns minimal thickness and meets the ASTM B117 regulation related to salt spray and the ASTM D2247 regulation related to the resistance of the finishes exposed to a 100% relative humidity. RAL and Custom colour matches available.

Lumca reserves the right to modify the elements on this technical data sheet without prior notice.



T : 877.650.1693 | www.lumca.com



Description :

CP2401- 48LED05-40K-L4

TYPE:

Project Name:

STANLEY TERRACE

H4

Notes:

CONCEPT Codification

CP  Ø21" (533mm)
CPG  Ø27" (686mm)

CP(G) X X X X X

PENDANT FITTER



L = Pendant Concept



F = Pendant Concept



M = Pendant Concept



*R = Pendant Concept

*Only with #62-65-67 hood

CAGE / GUARD

Pendant



4



6

Post-top



2



3



6

Post-top (Yoke)



7



8



9

NO CAGE

0

LENS



1



2



6

Flat lens

7



HOOD STYLE (examples)



01



04



05



06



12



15



20




23

and many more

EXAMPLES



CP0701 



CPL0206



CPL6101



CP6119



CP7215



CPL4608

Lumca reserves the right to modify the elements on this technical data sheet without prior notice.



T : 877.650.1693 | www.lumca.com



Description :

WLZ4-4-3K-FINISH STANLEY TERRACE

TYPE:

WP4

Project Name:

Notes:

WLZ SERIES Zero Uplight LED Wallpack



DESCRIPTION

The WLZ Series features an architecturally relevant low-profile LED design in lumen packages ranging from 1500 lumens to over 12,000 lumens. Its high-efficiency light engine is designed for optimal light control and distribution with zero uplight. This family of product is offered in several size housings to complement any building exterior and accommodates mounting heights up to 35'. Integral emergency battery backup available for path of egress with Cold Location operation down to -20°C.

SPECIFICATIONS

Construction

- Sleek die-cast aluminum housing with stainless steel hardware and powder coated black, bronze, silver or white finish
- UV-stabilized polycarbonate optical lens
- Integral heat sink for maximized heat dissipation
- Back box houses drivers away from LEDs and includes three ¾" hubs (WLZ1 and WLZ2 - two ¾" hubs)

Optics/LEDs

- Zero uplight design to minimize light pollution
- 15 to 100 Watt models replace up to 400 Watt HID for up to 70% energy savings
- Efficacies up to 123 LPW at 5000K to maximize utility rebates
- Type III and Type IV distributions for optimal light distribution (WLZ1 - Type III only)
- Available in 3000K, 3500K, 4000K and 5000K CCT
- L70 of 50,000 hours at 40°C
- CRI of ≥70

Electrical

- Class 2 power supply, 120-277VAC, 50/60Hz
- 347/480VAC Dedicated driver option for WLZ4, WLZ7 and WLZ10
- 0-10V Dimming driver (120-277VAC only)
- Power supply rated Class A EMI rating

Installation

- Housing hinges to back box and is secured with set screws
- Back box is complete with three ¾" hubs and internal bubble level for easy installation (WLZ1 and WLZ2 - two ¾" hubs)
- Mounts to a standard 3-1/2" or 4" square electrical J-box
- Suitable for downlight installation only

Options

Battery Backup

- Integral battery backup (BB) provides over 700 lumens and 90 minutes of runtime for path of egress. Rated for ambient temperatures of 0°C to 40°C (32°F to 104°F). Not available on WLZ1
- Integral Battery Backup with Internal Heater (BB-IH) provides over 700 lumens and 90 minutes of runtime for path of egress in Cold Locations down to -20°C. Not available on WLZ1 or WLZ2.
- Factory installed dual driver options for WLZ4 and WLZ10 (WLZ7 is standard with two drivers)
- Factory installed 120/277VAC button type photocontrol option (PC)
- Factory installed 10kVA surge protection options (SP or SPH)

Accessories (Field Installed)

- 120/277VAC Button type universal photocontrol options accessory (PCU)
- Dimming occupancy sensor programmable, Wattstopper FSP221 available in multiple finishes (TL-SCES-L2)
- Remote control for occupancy sensor. Optional (TL-FSIR100)

Testing & Compliance

- cULus Listed for Wet Locations
- DesignLights Consortium® (DLC) Qualified (verify QPL for specific models)
- International Dark Sky friendly approved product. (IDA) 3000K only
- Operating temperatures: -40°C to 40°C (-40°F to 104°F)

Warranty

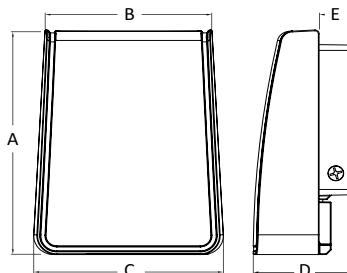
- Five year warranty (terms and conditions apply)



Specs At A Glance*					
Model	WLZ1	WLZ2	WLZ4	WLZ7	WLZ10
Wattage (nominal)	15W	25W	40W	70W	100W
Lumens (lm)	1745	3198	5021	8729	12,393
Efficacy (LPW)	115	118	123	120	116
Equivalency (HID)	50W	100W	150W	250W	400W
Distribution	Type III, IV (WLZ1 Type III only)				
CCT	3000K, 3500K, 4000K, 5000K				
CRI	≥70				
Input Voltage	120-277VAC, 50/60Hz, 347/480V option				
Operating Temp	-40°C to 40°C (-40°F to 104°F)				
Certifications	UL Listed for Wet Locations, DLC, IDA				
Warranty	5 Years				
Weight	2.6 lbs	3.3 lbs	6.0 lbs	9.9 lbs	12.1 lbs

* Nominal Wattage, tested at 5000K CCT, Type III distribution. Values at 120/277VAC. See performance table for more detailed lumen information.

Note: Environment and application will affect actual performance. Typical values and 25°C (77°F) used for testing. Specifications subject to change without notice.



Model	A	B	C	D	E
WLZ1	6.7"	5.0"	5.6"	3.2"	1.4"
WLZ2	8.0"	5.7"	6.0"	3.2"	1.4"
WLZ4	10.2"	6.8"	7.8"	5.0"	1.9"
WLZ7	11.6"	8.3"	9.4"	5.0"	1.9"
WLZ10	11.6"	10.3"	11.5"	5.0"	1.9"

Model: _____ Date: _____
 Accessories: _____
 Job Name: _____ Type: _____





Description :

WLZ4-4-3K-FINISH STANLEY TERRACE

TYPE:

WP4

Project Name:

Notes:

PLEASE SPECIFY

Ordering Information (Example: WLZ2-3-4K-BR)

Series/Configuration	Distribution	Input Voltage	CCT	Finish	Options
WLZ1 = 15W, Extra-Small	3 = Type III	BLANK = 120-277VAC	3K = 3000K	BL = Black	BB ⁵ = Battery backup
WLZ2 = 25W, Small	4 ² = Type IV	HVS ³ = 347/480VAC	35K ⁴ = 3500K	BR = Bronze	BB-IH ⁶ = Cold Location Battery backup (operation down to -20°C)
WLZ4 = 40W, Medium			4K = 4000K	SV = Silver	DD ⁷ = Dual driver
WLZ7 ¹ = 70W, Large			5K = 5000K	WH = White	PC = 120/277VAC Button photocontrol
WLZ10 = 100W, Extra-Large					SP = 120/277VAC Surge protection SPH = 347/480VAC Surge protection

Notes

- ¹ Standard with two drivers
- ² Not available for WLZ1 configuration
- ³ WLZ4, WLZ7 and WLZ10 only, compatible with SPH option only
- ⁴ Consult factory for lead times
- ⁵ WLZ2, WLZ4, WLZ7 and WLZ10 only. 120/277VAC Only. Not compatible with DD and SPH options
- ⁶ WLZ4, WLZ7 and WLZ10 only. 120/277VAC Only. Not compatible with DD and SPH options
- ⁷ Dual driver option available for WLZ4 and WLZ10 only. Not compatible with photocontrol option, consult factory
- ⁸ Compatible with WLZ4, WLZ7 and WLZ10 only. Contact factory for compatibility with other options
- ⁹ Dimming occupancy sensor, programmable, Wattstopper FSP221, L2 Lens
- ¹⁰ Order as a separate line item. Shipped in separate box for final installation in the field

Accessories¹⁰ (Field Installed)

PCU = 120/277VAC Button photocontrol accessory
TL-FSIR-100 = Remote control for TL-SCES sensor (optional)
TL-SCES-L2 ^{8,9} = Motion sensor, white finish
TL-SCES-L2-BL ^{8,9} = Motion sensor, black finish
TL-SCES-L2-BR ^{8,9} = Motion sensor, bronze finish
TL-SCES-L2-GR ^{8,9} = Motion sensor, gray finish

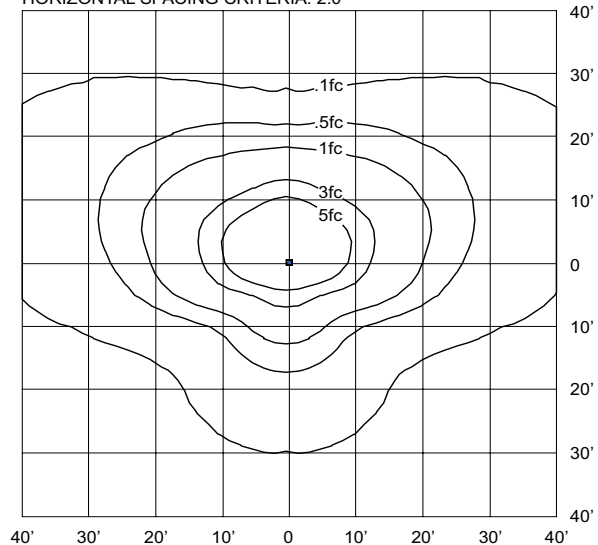
Performance Data

Model	Wattage (W)	CCT	Distribution	Lumen Output (lm)	Efficacy (LPW)
WLZ1-3-3K-XX	15	3000K	Type III	1531	101
WLZ1-3-4K-XX	15	4000K	Type III	1534	101
WLZ1-3-5K-XX	15	5000K	Type III	1745	115
WLZ2-3-3K-XX	25	3000K	Type III	2795	103
WLZ2-3-4K-XX	25	4000K	Type III	2997	111
WLZ2-3-5K-XX	25	5000K	Type III	3198	118
WLZ2-4-3K-XX	25	3000K	Type IV	2609	98
WLZ2-4-4K-XX	25	4000K	Type IV	2797	105
WLZ2-4-5K-XX	25	5000K	Type IV	2985	112
WLZ4-3-3K-XX	40	3000K	Type III	4389	107
WLZ4-3-4K-XX	40	4000K	Type III	4705	115
WLZ4-3-5K-XX	40	5000K	Type III	5021	123
WLZ4-4-3K-XX	40	3000K	Type IV	4021	98
WLZ4-4-4K-XX	40	4000K	Type IV	4310	105
WLZ4-4-5K-XX	40	5000K	Type IV	4599	112
WLZ7-3-3K-XX	70	3000K	Type III	7657	105
WLZ7-3-4K-XX	70	4000K	Type III	8193	113
WLZ7-3-5K-XX	70	5000K	Type III	8729	120
WLZ7-4-3K-XX	70	3000K	Type IV	6837	94
WLZ7-4-4K-XX	70	4000K	Type IV	7316	101
WLZ7-4-5K-XX	70	5000K	Type IV	7794	107
WLZ10-3-3K-XX	100	3000K	Type III	10,871	102
WLZ10-3-4K-XX	100	4000K	Type III	11,632	109
WLZ10-3-5K-XX	100	5000K	Type III	12,393	116
WLZ10-4-3K-XX	100	3000K	Type IV	9706	91
WLZ10-4-4K-XX	100	4000K	Type IV	10,385	98
WLZ10-4-5K-XX	100	5000K	Type IV	11,065	104

* Nominal Wattage. Values at 120/277VAC

Sample Photometrics

WLZ4-3-5K
 IES: TYPE III VERY SHORT
 MOUNTING HEIGHT: 10'
 TILT: ZERO
 HORIZONTAL SPACING CRITERIA: 2.0





Description :

WLZ4-4-3K-FINISH STANLEY TERRACE

TYPE:

WP4

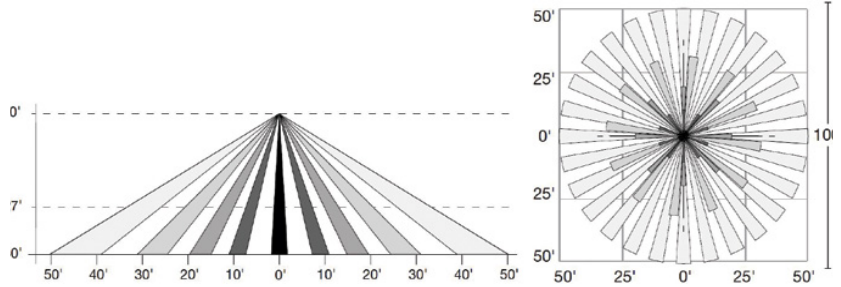
Project Name:

Notes:

Sensor Details (Accessory: TL-SCES-L2)



Side and Top Sensor Coverage Pattern: With FSP-L7 lens (included) 360° lens



Settings for TL-SCES-L2

	Settings	Default
High Mode:	0-10V	10V
Low Mode:	Off, 0-9.8V	1V
Time Delay:	30 seconds; 5-30 minutes	5 Minutes
Cut Off Delay:	None, 1-60 Minutes, 1-5 hours	1 Hour
Sensitivity:	None, Low, Medium, Max	Max
Setpoint:	None, 1-250fc, Auto	Disabled
Ramp Up Time:	None, 1-60 Seconds	Disabled
Fade Down Time:	None, 1-60 Seconds	Disabled

NOTE:

To change settings in the field, please order TL-FSIR-100 controller.





Description :

PL70-EHD14 M1

TYPE:

H5

Project Name:

STANLEY TERRACE

Notes:

PL70



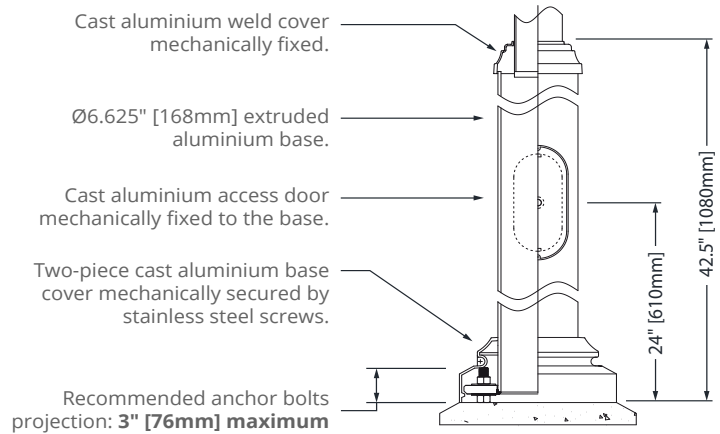
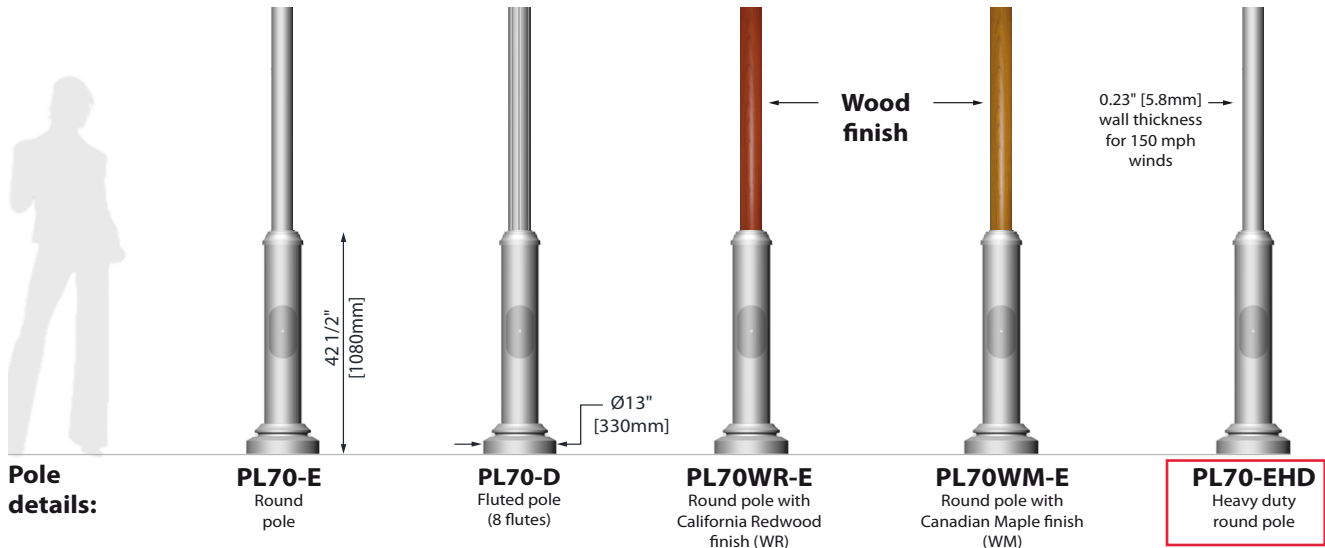
Round: PL70-E

Fluted: PL70-D

Technical informations

Date	City / Location	Project name
<input type="text"/>	<input type="text"/>	<input type="text"/>
Type	QTY	
<input type="text"/>	<input type="text"/>	

Aluminium $\varnothing 4"$ [102mm] poles with $\varnothing 6.625"$ [168mm] muffler type base.



CONSTRUCTION

- Cast aluminium: 356.1
- Extruded aluminium: 6061-T6
- $\varnothing 4"$ [102mm] extruded aluminium tube. E= straight or D= fluted (8 flutes).
- Access door: 5" [127mm] x 13" [330mm] cast aluminium.
- Extruded aluminium anchor base plate welded inside and outside the perimeter of the tube.
- Two-piece injection molded aluminium base cover held captive by the anchor base plate.
- Copper ground lug.
- Stainless steel hardware.
- All metallic parts are pretreated using an environmentally friendly organic phosphating technology (PLAFORIZATION) before a polyester powder coating is electrostatically applied.
- Four (4) galvanized steel 3/4-10x15" anchor bolts with eight (8) washers and nuts (9.95 lb [4.52 kg]).

Ordering example: PL70-E16 BK BH60-23-S GFR

Pole	Height i	Color	Options i	Anchor Bolts
<input type="text"/>	<input type="text"/>	<input type="text"/>	<input type="text"/>	<input type="checkbox"/> Supplied by LUMCA <input type="checkbox"/> Supplied by others <input type="checkbox"/> Existing

Bolt circle \varnothing 9" [229mm] to 10" [254mm]

Lumca reserves the right to modify the elements on this technical data sheet without prior notice.

Click on **i** for more information



PLEASE SPECIFY



Description :

PL70-EHD14 M1

STANLEY TERRACE

TYPE:

H5

Notes:

PL70

Round: PL70-E

Fluted: PL70-D

EPA chart**PL70-E** round aluminium pole

	catalogue #	HEIGHT		THICKNESS		BOLT CIRCLE		WEIGHT		MAX EPA (ft²)*							
		ft	M	in	mm	in	mm	lb	kg	Wind (mph)							
		70	80	90	100	110	120	130	150								
Thickness 0.188" [4.8mm]	PL70-E12	12	3.7	.188	4.8	9	229	51	22.8	15.7	11.3	9.7	7.1	-	-	-	-
	PL70-E14	14	4.3	.188	4.8	9	229	56	25.1	11.7	8.1	6.8	4.7	-	-	-	-
	PL70-E16	16	4.9	.188	4.8	9	229	61	27.3	8.8	5.8	4.7	2.9	-	-	-	-
	PL70-E18	18	5.5	.188	4.8	10	254	66	29.6	6.6	4.0	3.1	1.5	-	-	-	-
	PL70-E20	20	6.1	.188	4.8	10	254	71	31.8	4.8	2.5	1.7	0.3	-	-	-	-

* Including a gust factor of 1.3

PL70-D fluted aluminium pole

	catalogue #	HEIGHT		THICKNESS		BOLT CIRCLE		WEIGHT		MAX EPA (ft²)*							
		ft	M	in	mm	in	mm	lb	kg	Wind (mph)							
		70	80	90	100	110	120	130	150								
Thickness 0.125" [3.2mm]	PL70-D12	12	3.7	.125	3.2	9	229	49	21.9	11.1	7.7	6.5	4.5	-	-	-	-
	PL70-D14	14	4.3	.125	3.2	9	229	54	24.2	7.9	5.2	4.2	2.5	-	-	-	-
	PL70-D16	16	4.9	.125	3.2	9	229	59	26.4	5.5	3.2	2.4	1.0	-	-	-	-
	PL70-D18	18	5.5	.125	3.2	10	254	64	28.7	3.7	1.7	1.0	-	-	-	-	-
	PL70-D20	20	6.1	.125	3.2	10	254	69	30.9	2.1	0.4	-	-	-	-	-	-

* Including a gust factor of 1.3

PL70-EHD heavy duty round aluminium pole

	catalogue #	HEIGHT		THICKNESS		BOLT CIRCLE		WEIGHT		MAX EPA (ft²)*							
		ft	M	in	mm	in	mm	lb	kg	Wind (mph)							
		70	80	90	100	110	120	130	150								
Thickness 0.230" [5.8mm]	PL70-EHD12	12	3.7	.230	5.8	9	229	51	23.1	50.1	38.4	30.5	23.7	19.6	15.5	13.4	9.6
	PL70-EHD14	14	4.3	.230	5.8	9	229	60	27.2	40.3	30.2	23.8	18.3	15.1	11.6	10.0	6.9
	PL70-EHD16	16	4.9	.230	5.8	9	229	68	30.8	32.9	24.5	19.1	14.5	11.8	8.7	7.5	4.9
	PL70-EHD18	18	5.5	.230	5.8	10	254	77	34.9	25.2	18.5	14.1	10.4	8.2	5.6	4.9	2.8
	PL70-EHD20	20	6.1	.230	5.8	10	254	85	38.6	21.3	15.3	11.4	8.2	6.3	3.9	3.4	1.6

* Including a gust factor of 1.3

Lumca reserves the right to modify the elements on this technical data sheet without prior notice.



T : 877.650.1693 | www.lumca.com



Description :

PL70-EHD14 M1
STANLEY TERRACE

TYPE:

H5

Notes:

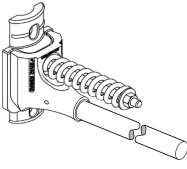
POLES OPTIONS



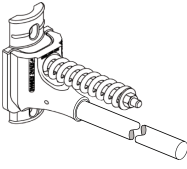
LR23-S
Single banner arm



LR23-D
Double banner arm



BEN-S Single flexible banner arm



BEN-D Double flexible banner arm



BH60-23-S
Single basket hanger



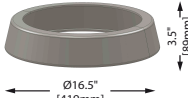
BH60-23-D
Double basket hanger



BH80-18-S
Single basket hanger



BH80-18-D
Double basket hanger



SKT Two piece skirt for break-a-way bolts

Ø16.5" [419mm]
3.5" [89mm]



SH60-23-S
Single sign hanger



SH60-23-D
Double sign hanger




SH80-18-S
Single sign hanger



SH80-18-D
Double sign hanger

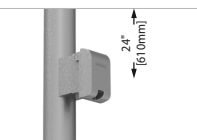


DPV
Vibration damper



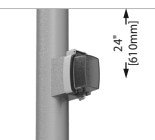
GFR Duplex receptacle with ground fault

2.4" [61.0mm]



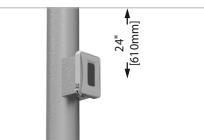
GFR-ICA Duplex c/w aluminum in-use cover

2.4" [61.0mm]



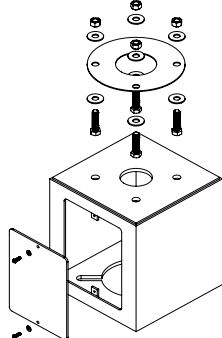
GFR-ICP Duplex c/w plastic in-use cover

2.4" [61.0mm]




GFR-ICR Duplex c/w retractable in-use cover

2.4" [61.0mm]



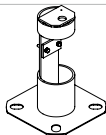
ETB
Steel Electrical Transition Box



MK LED accent marker for Ø4", Ø5" or electrical pole (but EL07)

1.2" [30.5mm]

MK-R (red) MK-G (green) MK-B (blue) MK-W (white)



CWP
Copper Wire Protector

Lumca reserves the right to modify the elements on this technical data sheet without prior notice.



T : 877.650.1693 | www.lumca.com



Description : **CP2401- 36LED07-40K-L5S**
 Project Name: **STANLEY TERRACE**

TYPE: **H5**

Notes:

CONCEPT
FAMILY

CP2401

Dark Sky with lens #4

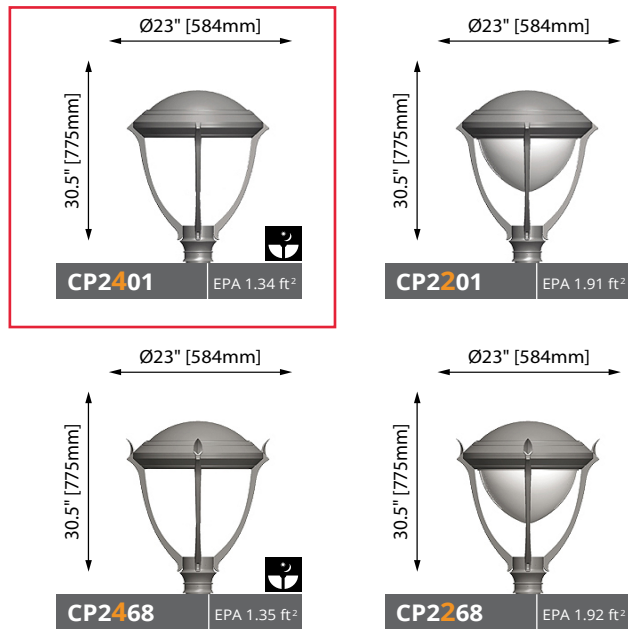


Date	City / Location	Project name
<input type="text"/>	<input type="text"/>	<input type="text"/>
Type	QTY	
<input type="text"/>	<input type="text"/>	

- 3000K (30K) and 4000K (40K).
- 1 to 4 LED modules (30 to 120 watts).
- Light distribution available in type II, III, IV and V.
- Tool-less access.
- IP66.
- CSA / CSA-US certified.
- Dark sky compliant with lens #4 (flat lens).



Weight: 31 lb - 14.1 kg



Ordering example: CP2401 36 LED07 80W 40K L3 120 BK RCD

Luminaire	Source	CCT	Dist. type	Voltage	Color
<input type="text"/>	<input type="text"/>	<input type="text"/>	<input type="text"/>	<input type="text"/>	<input type="text"/>
Options					
<input type="checkbox"/> BTP Button Type Photocell	<input type="checkbox"/> HSS House Side Shield	<input type="checkbox"/> RCD - Remote Control Dimmer (software N/I)		<input type="checkbox"/> SGP10 Surge Protection (10kV)	<input type="checkbox"/> SGP20 Surge Protection (20kV)
<input type="checkbox"/> TR Tenon Reducer	Existing Tenon Ø : <input type="text"/>	<input type="checkbox"/> PRG Programmable Driver			

Lumca reserves the right to modify the elements on this technical data sheet without prior notice.



PLEASE SPECIFY

PLEASE SPECIFY



Description : **CP2401- 36LED07-40K-L5S**
 Project Name: **STANLEY TERRACE**

TYPE: **H5**

Notes:

CONCEPT

FAMILY

Technical informations

Source Overview

Type II-III-V

530mA

- 18 LED05 30W
- 36 LED05 60W
- 54 LED05 90W
- 72 LED05 120W
- 18 LED07 40W
- 36 LED07 80W
- 54 LED07 120W

Type IV**

530mA

- 12 LED05 20W
- 24 LED05 40W
- 36 LED05 60W
- 48 LED05 80W
- 12 LED07 27W
- 24 LED07 54W
- 36 LED07 80W
- 48 LED07 107W

CCT Overview

- 30K (3000K)
 - 40K (4000K)
- For other CCT, consult factory

Voltage Overview

- 120
- 208
- 240
- 277
- 347
- 480

PLEASE SPECIFY

Distribution Overview

Type II

L2B



Type III

L3



L3FL



Type IV**

L4



Type V

L5S



COLOR Chart

See STD Color Chart Online

IES files

See Online

CONSTRUCTION

Decorative cast aluminium cage, supporting the luminaire housing, using alloys improving structural resistance and slip fitting on a 4" [102mm] O.D. pole or tenon, mechanically secured by (3) 5/16-18 UNC allen set screws. One piece extruded aluminium core topped with a heavy gauge spun aluminium hinged cover and an extruded aluminium lens frame containing the optical system. A silicon gasket insures the luminaire housing is protected from rain, insects and dust in accordance with international standard IP65. All cast aluminium pieces are in alloy 356, free of any porosity or foreign material. The minimum wall thickness of all castings is 0.188" [5mm]. Extruded aluminium parts are in alloy 6063-T4.

OPTICAL SYSTEM

The optical system consists of a high impact resistant acrylic lens, an aluminium heatsink dissipater and high intensity white light emitting diodes (LEDs) divided in 1 to 4 light modules. The optical system is hermetically sealed to meet the international standard IP66, to protect it against lumen depreciation due to dust or insect infiltrations, preserving an optimal light output over the years and eliminating periodic cleaning of the lens.

Lens Type details

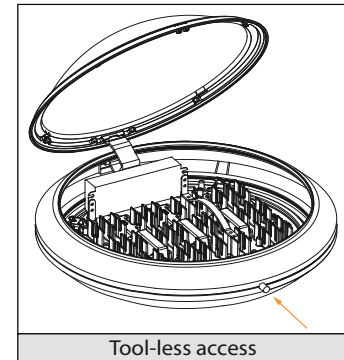
- #1 : Marine style lens, high impact resistant acrylic, prismatic.
- #2 : Conic style lens, high impact resistant acrylic, prismatic.
- #6 : Drop lens, high impact resistant acrylic, prismatic.
- #4 : Flat lens, tempered glass.

DRIVER

Constant current, -40°C [-40°F] to 80°C [176°F], PF 0.99, 0-10v, 120V to 277V / 347V to 480V.

Tool-less access

All hardware is in stainless steel



FINISH

Powder coating minimum thickness 100 microns, ASTM D2247 5000 hours salt spray test. All metallic parts are pre-treated using an environmentally friendly organic phosphating technology (PLAFORIZATION) before a polyester powder coating is electrostatically applied. The finish is of 100 microns minimal thickness and meets the ASTM B117 regulation related to salt spray and the ASTM D2247 regulation related to the resistance of the finishes exposed to a 100% relative humidity. RAL and Custom colour matches available.

Lumca reserves the right to modify the elements on this technical data sheet without prior notice.



T : 877.650.1693 | www.lumca.com



Description :

CP2401- 36LED07-40K-L5S

TYPE:

Project Name:

STANLEY TERRACE

H5

Notes:

CONCEPT Codification

FAMILY

CP  Ø21" (533mm)
CPG  Ø27" (686mm)

CP(G) X X X X X

PENDANT FITTER



L = Pendant Concept



F = Pendant Concept



M = Pendant Concept



*R = Pendant Concept

**Only with #62-65-67 hood*

CAGE / GUARD

Pendant



4



6

Post-top



2



3



6

Post-top (Yoke)



7



8



9

NO CAGE

0

LENS



1



2



6

Flat lens

7



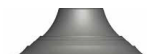
HOOD STYLE (examples)



01



04



05



06



12



15



20




23

and many more

EXAMPLES



CP0701 



CPL0206



CPL6101



CP6119



CP7215



CPL4608

Lumca reserves the right to modify the elements on this technical data sheet without prior notice.



T : 877.650.1693 | www.lumca.com



Description :

PL70-EHD14 M1

TYPE:

Project Name:

STANLEY TERRACE

H3

Notes:

PL70



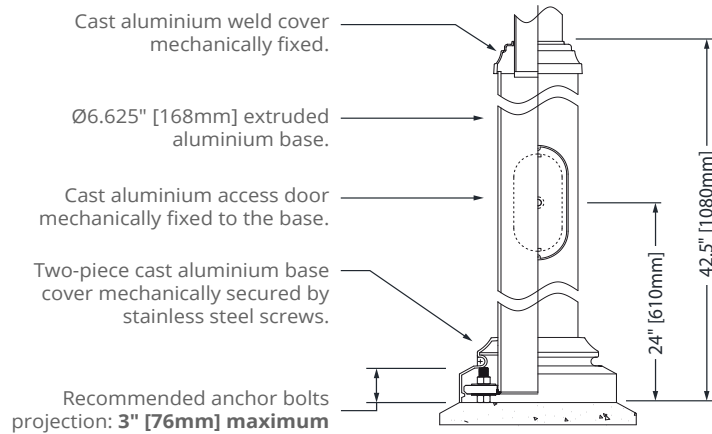
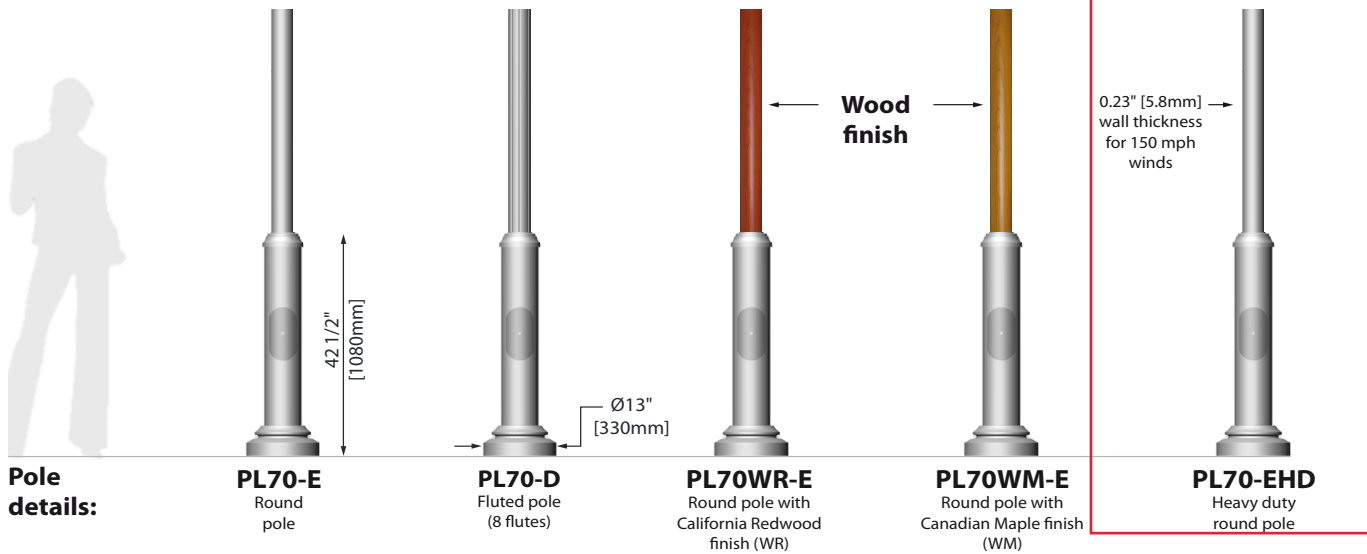
Round: PL70-E

Fluted: PL70-D

Technical informations

Date	City / Location	Project name
<input type="text"/>	<input type="text"/>	<input type="text"/>
Type	QTY	
<input type="text"/>	<input type="text"/>	

Aluminium Ø4" [102mm] poles with Ø 6.625" [168mm] muffler type base.



CONSTRUCTION

- Cast aluminium: 356.1
- Extruded aluminium: 6061-T6
- Ø4" [102mm] extruded aluminium tube. E= straight or D= fluted (8 flutes).
- Access door: 5" [127mm] × 13" [330mm] cast aluminium.
- Extruded aluminium anchor base plate welded inside and outside the perimeter of the tube.
- Two-piece injection molded aluminium base cover held captive by the anchor base plate.
- Copper ground lug.
- Stainless steel hardware.
- All metallic parts are pretreated using an environmentally friendly organic phosphating technology (PLAFORIZATION) before a polyester powder coating is electrostatically applied.
- Four (4) galvanized steel 3/4-10×15" anchor bolts with eight (8) washers and nuts (9.95 lb [4.52 kg]).

Ordering example: PL70-E16 BK BH60-23-S GFR

Pole	Height ⓘ	Color	Options ⓘ	Anchor Bolts
<input type="text"/>	<input type="text"/>	<input type="text"/>	<input type="text"/>	<input type="checkbox"/> Supplied by LUMCA <input type="checkbox"/> Supplied by others <input type="checkbox"/> Existing

Bolt circle Ø 9" [229mm] to 10" [254mm]

Lumca reserves the right to modify the elements on this technical data sheet without prior notice.

Click on ⓘ for more information



T : 877.650.1693 | www.lumca.com

PLEASE SPECIFY



Description :

PL70-EHD14 M1

STANLEY TERRACE

TYPE:

H3

Notes:

PL70



Round: PL70-E

Fluted: PL70-D

EPA chart

PL70-E round aluminium pole

	catalogue #	HEIGHT		THICKNESS		BOLT CIRCLE		WEIGHT		MAX EPA (ft ²)*							
		ft	M	in	mm	in	mm	lb	kg	Wind (mph)							
		70	80	90	100	110	120	130	150								
Thickness 0.188" [4.8mm]	PL70-E12	12	3.7	.188	4.8	9	229	51	22.8	15.7	11.3	9.7	7.1	-	-	-	-
	PL70-E14	14	4.3	.188	4.8	9	229	56	25.1	11.7	8.1	6.8	4.7	-	-	-	-
	PL70-E16	16	4.9	.188	4.8	9	229	61	27.3	8.8	5.8	4.7	2.9	-	-	-	-
	PL70-E18	18	5.5	.188	4.8	10	254	66	29.6	6.6	4.0	3.1	1.5	-	-	-	-
	PL70-E20	20	6.1	.188	4.8	10	254	71	31.8	4.8	2.5	1.7	0.3	-	-	-	-

* Including a gust factor of 1.3

PL70-D fluted aluminium pole

	catalogue #	HEIGHT		THICKNESS		BOLT CIRCLE		WEIGHT		MAX EPA (ft ²)*							
		ft	M	in	mm	in	mm	lb	kg	Wind (mph)							
		70	80	90	100	110	120	130	150								
Thickness 0.125" [3.2mm]	PL70-D12	12	3.7	.125	3.2	9	229	49	21.9	11.1	7.7	6.5	4.5	-	-	-	-
	PL70-D14	14	4.3	.125	3.2	9	229	54	24.2	7.9	5.2	4.2	2.5	-	-	-	-
	PL70-D16	16	4.9	.125	3.2	9	229	59	26.4	5.5	3.2	2.4	1.0	-	-	-	-
	PL70-D18	18	5.5	.125	3.2	10	254	64	28.7	3.7	1.7	1.0	-	-	-	-	-
	PL70-D20	20	6.1	.125	3.2	10	254	69	30.9	2.1	0.4	-	-	-	-	-	-

* Including a gust factor of 1.3

PL70-EHD heavy duty round aluminium pole

	catalogue #	HEIGHT		THICKNESS		BOLT CIRCLE		WEIGHT		MAX EPA (ft ²)*							
		ft	M	in	mm	in	mm	lb	kg	Wind (mph)							
		70	80	90	100	110	120	130	150								
Thickness 0.230" [5.8mm]	PL70-EHD12	12	3.7	.230	5.8	9	229	51	23.1	50.1	38.4	30.5	23.7	19.6	15.5	13.4	9.6
	PL70-EHD14	14	4.3	.230	5.8	9	229	60	27.2	40.3	30.2	23.8	18.3	15.1	11.6	10.0	6.9
	PL70-EHD16	16	4.9	.230	5.8	9	229	68	30.8	32.9	24.5	19.1	14.5	11.8	8.7	7.5	4.9
	PL70-EHD18	18	5.5	.230	5.8	10	254	77	34.9	25.2	18.5	14.1	10.4	8.2	5.6	4.9	2.8
	PL70-EHD20	20	6.1	.230	5.8	10	254	85	38.6	21.3	15.3	11.4	8.2	6.3	3.9	3.4	1.6

* Including a gust factor of 1.3

Lumca reserves the right to modify the elements on this technical data sheet without prior notice.



T : 877.650.1693 | www.lumca.com



Description :

PL70-EHD14 M1
STANLEY TERRACE

TYPE:

H3

Notes:

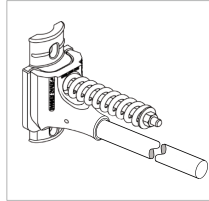
POLES OPTIONS



LR23-S
Single banner arm



LR23-D
Double banner arm



BEN-S Single flexible banner arm

BEN-D Double flexible banner arm



BH60-23-S
Single basket hanger



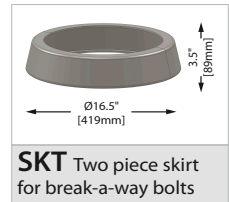
BH60-23-D
Double basket hanger



BH80-18-S
Single basket hanger



BH80-18-D
Double basket hanger



SKT Two piece skirt for break-a-way bolts



SH60-23-S
Single sign hanger



SH60-23-D
Double sign hanger



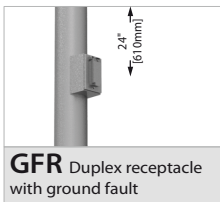
SH80-18-S
Single sign hanger



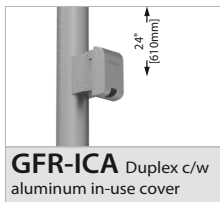
SH80-18-D
Double sign hanger



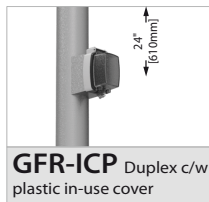
DPV
Vibration damper



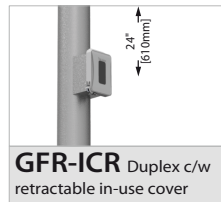
GFR Duplex receptacle with ground fault



GFR-ICA Duplex c/w aluminum in-use cover



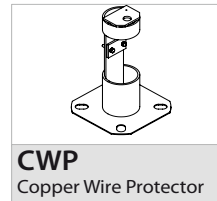
GFR-ICP Duplex c/w plastic in-use cover



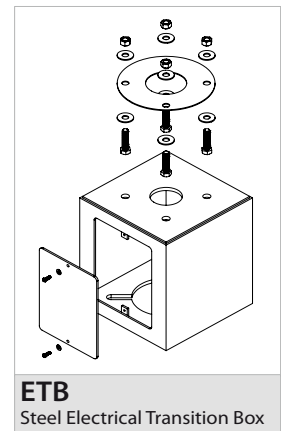
GFR-ICR Duplex c/w retractable in-use cover



MK LED accent marker for Ø4", Ø5" or eplectical pole (but EL07)



CWP
Copper Wire Protector



ETB
Steel Electrical Transition Box

Lumca reserves the right to modify the elements on this technical data sheet without prior notice.



T : 877.650.1693 | www.lumca.com



Description :

CP2401- 54LED05-40K-L3

TYPE:

Project Name:

STANLEY TERRACE

H3

Notes:

CONCEPT FAMILY

CP2401

Dark Sky with lens #4

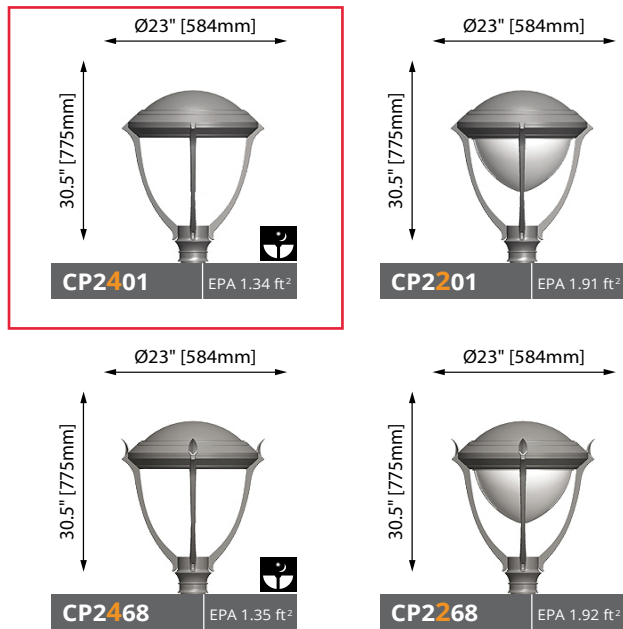


Date	City / Location	Project name
<input type="text"/>	<input type="text"/>	<input type="text"/>
Type	QTY	
<input type="text"/>	<input type="text"/>	

- 3000K (30K) and 4000K (40K).
- 1 to 4 LED modules (30 to 120 watts).
- Light distribution available in type II, III, IV and V.
- Tool-less access.
- IP66.
- CSA / CSA-US certified.
- Dark sky compliant with lens #4 (flat lens).



Weight: 31 lb - 14.1 kg



Ordering example: CP2401 36 LED07 80W 40K L3 120 BK RCD

Luminaire	Source	CCT	Dist. type	Voltage	Color
<input type="text"/>	<input type="text"/>	<input type="text"/>	<input type="text"/>	<input type="text"/>	<input type="text"/>
Options <input type="checkbox"/> BTP Button Type Photocell <input type="checkbox"/> HSS House Side Shield <input type="checkbox"/> RCD - Remote Control Dimmer (software N/I) <input type="checkbox"/> SGP10 Surge Protection (10kV) <input type="checkbox"/> SGP20 Surge Protection (20kV) <input type="checkbox"/> TR Tenon Reducer Existing Tenon Ø : <input type="text"/> <input type="checkbox"/> PRG Programmable Driver					

Lumca reserves the right to modify the elements on this technical data sheet without prior notice.



PLEASE SPECIFY

PLEASE SPECIFY



Description :

CP2401- 54LED05-40K-L3

TYPE:

Project Name:

STANLEY TERRACE

H3

Notes:

CONCEPT

FAMILY

Technical informations

Source Overview

Type II-III-V

530mA

- 18 LED05 30W
- 36 LED05 60W
- 54 LED05 90W
- 72 LED05 120W

700mA

- 18 LED07 40W
- 36 LED07 80W
- 54 LED07 120W

Type IV**

530mA

- 12 LED05 20W
- 24 LED05 40W
- 36 LED05 60W
- 48 LED05 80W

700mA

- 12 LED07 27W
- 24 LED07 54W
- 36 LED07 80W
- 48 LED07 107W

CCT Overview

- 30K (3000K)
- 40K (4000K)

For other CCT, consult factory

Voltage Overview

- 120 - 347
- 208 - 480
- 240
- 277

PLEASE SPECIFY

Distribution Overview

Type II

L2B



Type III

L3



L3FL



Type IV**

L4



Type V

L5S



COLOR Chart

See STD Color Chart Online

IES files

See Online

CONSTRUCTION

Decorative cast aluminium cage, supporting the luminaire housing, using alloys improving structural resistance and slip fitting on a 4" [102mm] O.D. pole or tenon, mechanically secured by (3) 5/16-18 UNC allen set screws. One piece extruded aluminium core topped with a heavy gauge spun aluminium hinged cover and an extruded aluminium lens frame containing the optical system. A silicon gasket insures the luminaire housing is protected from rain, insects and dust in accordance with international standard IP65. All cast aluminium pieces are in alloy 356, free of any porosity or foreign material. The minimum wall thickness of all castings is 0.188" [5mm]. Extruded aluminium parts are in alloy 6063-T4.

OPTICAL SYSTEM

The optical system consists of a high impact resistant acrylic lens, an aluminium heatsink dissipater and high intensity white light emitting diodes (LEDs) divided in 1 to 4 light modules. The optical system is hermetically sealed to meet the international standard IP66, to protect it against lumen depreciation due to dust or insect infiltrations, preserving an optimal light output over the years and eliminating periodic cleaning of the lens.

Lens Type details

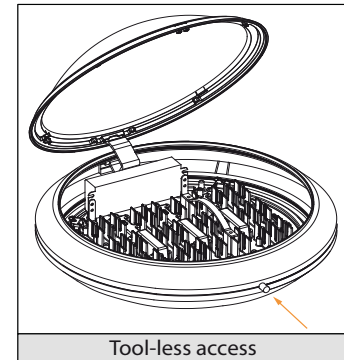
- #1 : Marine style lens, high impact resistant acrylic, prismatic.
- #2 : Conic style lens, high impact resistant acrylic, prismatic.
- #6 : Drop lens, high impact resistant acrylic, prismatic.
- #4 : Flat lens, tempered glass.

DRIVER

Constant current, -40°C [-40°F] to 80°C [176°F], PF 0.99, 0-10v, 120V to 277V / 347V to 480V.

Tool-less access

All hardware is in stainless steel



FINISH

Powder coating minimum thickness 100 microns, ASTM D2247 5000 hours salt spray test. All metallic parts are pre-treated using an environmentally friendly organic phosphating technology (PLAFORIZATION) before a polyester powder coating is electrostatically applied. The finish is of 100 microns minimal thickness and meets the ASTM B117 regulation related to salt spray and the ASTM D2247 regulation related to the resistance of the finishes exposed to a 100% relative humidity. RAL and Custom colour matches available.

Lumca reserves the right to modify the elements on this technical data sheet without prior notice.



T : 877.650.1693 | www.lumca.com



Description :

CP2401- 54LED05-40K-L3

TYPE:

Project Name:

STANLEY TERRACE

H3

Notes:

CONCEPT Codification

CP  Ø21" (533mm)
CPG  Ø27" (686mm)

CP(G) X X X X X

PENDANT FITTER



L = Pendant Concept



F = Pendant Concept



M = Pendant Concept



*R = Pendant Concept

**Only with #62-65-67 hood*

CAGE / GUARD

Pendant



4



6

Post-top



2



3



6

Post-top (Yoke)



7



8



9

NO CAGE

0

LENS



1



2



6

Flat lens

7



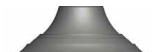
HOOD STYLE (examples)



01



04



05



06



12



15



20




23

and many more

EXAMPLES



CP0701 



CPL0206



CPL6101



CP6119



CP7215



CPL4608

Lumca reserves the right to modify the elements on this technical data sheet without prior notice.



T : 877.650.1693 | www.lumca.com



Description :

WLZ4-4-3K-FINISH-BB STANLEY TERRACE

TYPE:

WP3-EM

Project Name:

Notes:

WLZ SERIES Zero Uplight LED Wallpack



DESCRIPTION

The WLZ Series features an architecturally relevant low-profile LED design in lumen packages ranging from 1500 lumens to over 12,000 lumens. Its high-efficiency light engine is designed for optimal light control and distribution with zero uplight. This family of product is offered in several size housings to complement any building exterior and accommodates mounting heights up to 35'. Integral emergency battery backup available for path of egress with Cold Location operation down to -20°C.

SPECIFICATIONS

Construction

- Sleek die-cast aluminum housing with stainless steel hardware and powder coated black, bronze, silver or white finish
- UV-stabilized polycarbonate optical lens
- Integral heat sink for maximized heat dissipation
- Back box houses drivers away from LEDs and includes three ¾" hubs (WLZ1 and WLZ2 - two ¾" hubs)

Optics/LEDs

- Zero uplight design to minimize light pollution
- 15 to 100 Watt models replace up to 400 Watt HID for up to 70% energy savings
- Efficacies up to 123 LPW at 5000K to maximize utility rebates
- Type III and Type IV distributions for optimal light distribution (WLZ1 - Type III only)
- Available in 3000K, 3500K, 4000K and 5000K CCT
- L70 of 50,000 hours at 40°C
- CRI of ≥70

Electrical

- Class 2 power supply, 120-277VAC, 50/60Hz
- 347/480VAC Dedicated driver option for WLZ4, WLZ7 and WLZ10
- 0-10V Dimming driver (120-277VAC only)
- Power supply rated Class A EMI rating

Installation

- Housing hinges to back box and is secured with set screws
- Back box is complete with three ¾" hubs and internal bubble level for easy installation (WLZ1 and WLZ2 - two ¾" hubs)
- Mounts to a standard 3-1/2" or 4" square electrical J-box
- Suitable for downlight installation only

Options

Battery Backup

- Integral battery backup (BB) provides over 700 lumens and 90 minutes of runtime for path of egress. Rated for ambient temperatures of 0°C to 40°C (32°F to 104°F). Not available on WLZ1
- Integral Battery Backup with Internal Heater (BB-IH) provides over 700 lumens and 90 minutes of runtime for path of egress in Cold Locations down to -20°C. Not available on WLZ1 or WLZ2.
- Factory installed dual driver options for WLZ4 and WLZ10 (WLZ7 is standard with two drivers)
- Factory installed 120/277VAC button type photocontrol option (PC)
- Factory installed 10kVA surge protection options (SP or SPH)

Accessories (Field Installed)

- 120/277VAC Button type universal photocontrol options accessory (PCU)
- Dimming occupancy sensor programmable, Wattstopper FSP221 available in multiple finishes (TL-SCES-L2)
- Remote control for occupancy sensor. Optional (TL-FSIR100)

Testing & Compliance

- cULus Listed for Wet Locations
- DesignLights Consortium® (DLC) Qualified (verify QPL for specific models)
- International Dark Sky friendly approved product. (IDA) 3000K only
- Operating temperatures: -40°C to 40°C (-40°F to 104°F)

Warranty

- Five year warranty (terms and conditions apply)

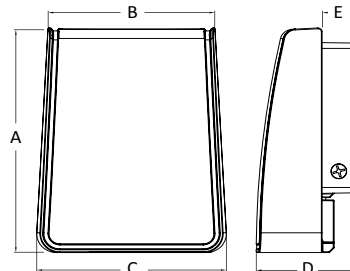


Specs At A Glance*

Model	WLZ1	WLZ2	WLZ4	WLZ7	WLZ10
Wattage (nominal)	15W	25W	40W	70W	100W
Lumens (lm)	1745	3198	5021	8729	12,393
Efficacy (LPW)	115	118	123	120	116
Equivalency (HID)	50W	100W	150W	250W	400W
Distribution	Type III, IV (WLZ1 Type III only)				
CCT	3000K, 3500K, 4000K, 5000K				
CRI	≥70				
Input Voltage	120-277VAC, 50/60Hz, 347/480V option				
Operating Temp	-40°C to 40°C (-40°F to 104°F)				
Certifications	UL Listed for Wet Locations, DLC, IDA				
Warranty	5 Years				
Weight	2.6 lbs	3.3 lbs	6.0 lbs	9.9 lbs	12.1 lbs

* Nominal Wattage, tested at 5000K CCT, Type III distribution. Values at 120/277VAC. See performance table for more detailed lumen information.

Note: Environment and application will affect actual performance. Typical values and 25°C (77°F) used for testing. Specifications subject to change without notice.



Model	A	B	C	D	E
WLZ1	6.7"	5.0"	5.6"	3.2"	1.4"
WLZ2	8.0"	5.7"	6.0"	3.2"	1.4"
WLZ4	10.2"	6.8"	7.8"	5.0"	1.9"
WLZ7	11.6"	8.3"	9.4"	5.0"	1.9"
WLZ10	11.6"	10.3"	11.5"	5.0"	1.9"

Model: _____ Date: _____
 Accessories: _____
 Job Name: _____ Type: _____





Description :

WLZ4-4-3K-FINISH-BB STANLEY TERRACE

TYPE:

WP3-EM

Project Name:

Notes:

PLEASE SPECIFY

Ordering Information (Example: WLZ2-3-4K-BR)

Series/Configuration	Distribution	Input Voltage	CCT	Finish	Options
WLZ1 = 15W, Extra-Small	3 = Type III	BLANK = 120-277VAC	3K = 3000K	BL = Black	BB ⁵ = Battery backup
WLZ2 = 25W, Small	4 ² = Type IV	HVS ³ = 347/480VAC	35K ⁴ = 3500K	BR = Bronze	BB-IH ⁶ = Cold Location Battery backup (operation down to -20°C)
WLZ4 = 40W, Medium			4K = 4000K	SV = Silver	DD ⁷ = Dual driver
WLZ7 ¹ = 70W, Large			5K = 5000K	WH = White	PC = 120/277VAC Button photocontrol
WLZ10 = 100W, Extra-Large					SP = 120/277VAC Surge protection SPH = 347/480VAC Surge protection

Notes

- ¹ Standard with two drivers
- ² Not available for WLZ1 configuration
- ³ WLZ4, WLZ7 and WLZ10 only, compatible with SPH option only
- ⁴ Consult factory for lead times
- ⁵ WLZ2, WLZ4, WLZ7 and WLZ10 only. 120/277VAC Only. Not compatible with DD and SPH options
- ⁶ WLZ4, WLZ7 and WLZ10 only. 120/277VAC Only. Not compatible with DD and SPH options
- ⁷ Dual driver option available for WLZ4 and WLZ10 only. Not compatible with photocontrol option, consult factory
- ⁸ Compatible with WLZ4, WLZ7 and WLZ10 only. Contact factory for compatibility with other options
- ⁹ Dimming occupancy sensor, programmable, Wattstopper FSP221, L2 Lens
- ¹⁰ Order as a separate line item. Shipped in separate box for final installation in the field

Accessories¹⁰ (Field Installed)

PCU = 120/277VAC Button photocontrol accessory
TL-FSIR-100 = Remote control for TL-SCES sensor (optional)
TL-SCES-L2 ^{8,9} = Motion sensor, white finish
TL-SCES-L2-BL ^{8,9} = Motion sensor, black finish
TL-SCES-L2-BR ^{8,9} = Motion sensor, bronze finish
TL-SCES-L2-GR ^{8,9} = Motion sensor, gray finish

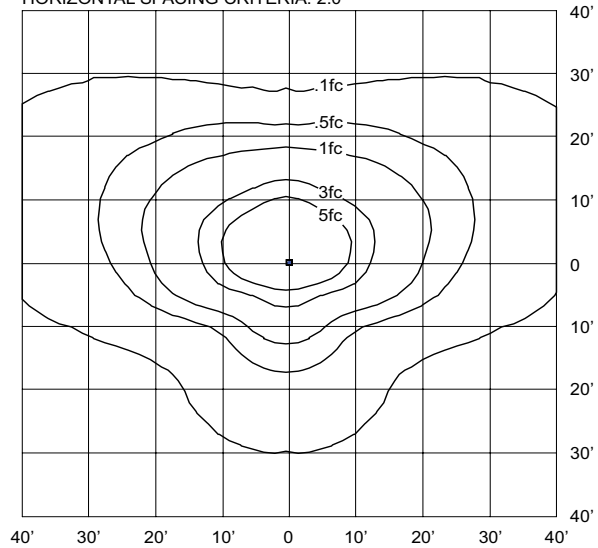
Performance Data

Model	Wattage (W)	CCT	Distribution	Lumen Output (lm)	Efficacy (LPW)
WLZ1-3-3K-XX	15	3000K	Type III	1531	101
WLZ1-3-4K-XX	15	4000K	Type III	1534	101
WLZ1-3-5K-XX	15	5000K	Type III	1745	115
WLZ2-3-3K-XX	25	3000K	Type III	2795	103
WLZ2-3-4K-XX	25	4000K	Type III	2997	111
WLZ2-3-5K-XX	25	5000K	Type III	3198	118
WLZ2-4-3K-XX	25	3000K	Type IV	2609	98
WLZ2-4-4K-XX	25	4000K	Type IV	2797	105
WLZ2-4-5K-XX	25	5000K	Type IV	2985	112
WLZ4-3-3K-XX	40	3000K	Type III	4389	107
WLZ4-3-4K-XX	40	4000K	Type III	4705	115
WLZ4-3-5K-XX	40	5000K	Type III	5021	123
WLZ4-4-3K-XX	40	3000K	Type IV	4021	98
WLZ4-4-4K-XX	40	4000K	Type IV	4310	105
WLZ4-4-5K-XX	40	5000K	Type IV	4599	112
WLZ7-3-3K-XX	70	3000K	Type III	7657	105
WLZ7-3-4K-XX	70	4000K	Type III	8193	113
WLZ7-3-5K-XX	70	5000K	Type III	8729	120
WLZ7-4-3K-XX	70	3000K	Type IV	6837	94
WLZ7-4-4K-XX	70	4000K	Type IV	7316	101
WLZ7-4-5K-XX	70	5000K	Type IV	7794	107
WLZ10-3-3K-XX	100	3000K	Type III	10,871	102
WLZ10-3-4K-XX	100	4000K	Type III	11,632	109
WLZ10-3-5K-XX	100	5000K	Type III	12,393	116
WLZ10-4-3K-XX	100	3000K	Type IV	9706	91
WLZ10-4-4K-XX	100	4000K	Type IV	10,385	98
WLZ10-4-5K-XX	100	5000K	Type IV	11,065	104

* Nominal Wattage. Values at 120/277VAC

Sample Photometrics

WLZ4-3-5K
 IES: TYPE III VERY SHORT
 MOUNTING HEIGHT: 10'
 TILT: ZERO
 HORIZONTAL SPACING CRITERIA: 2.0





Description :

WLZ4-4-3K-FINISH-BB STANLEY TERRACE

TYPE:

WP3-EM

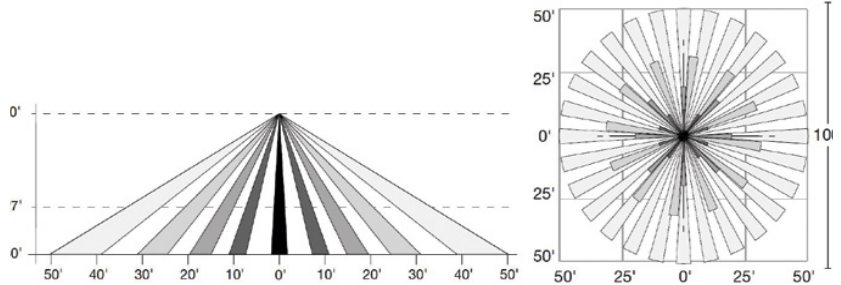
Project Name:

Notes:

Sensor Details (Accessory: TL-SCES-L2)



Side and Top Sensor Coverage Pattern:
With FSP-L7 lens (included) 360° lens



Settings for TL-SCES-L2

	Settings	Default
High Mode:	0-10V	10V
Low Mode:	Off, 0-9.8V	1V
Time Delay:	30 seconds; 5-30 minutes	5 Minutes
Cut Off Delay:	None, 1-60 Minutes, 1-5 hours	1 Hour
Sensitivity:	None, Low, Medium, Max	Max
Setpoint:	None, 1-250fc, Auto	Disabled
Ramp Up Time:	None, 1-60 Seconds	Disabled
Fade Down Time:	None, 1-60 Seconds	Disabled

NOTE:

To change settings in the field, please order TL-FSIR-100 controller.





Description : **OLFLS-20-VOLT-30-5X5-MOUNT-FINISH-UV**
 Project Name: **STANLEY TERRACE**

TYPE: **S1**

Notes:



Catalog: _____
 Project: _____
 Type: _____

Floodlight Series (Small)

The OLFLS Series Floodlight is a stylish aerodynamic luminaire designed to complement the Optec LED Lighting family of architectural outdoor products. Excellent optical performance in multiple distributions is achieved via a COB LED array and a precision-engineered reflector. LED life is assured through efficient thermal coupling and dissipation via its durable, pressure die-cast, low-copper alloy, aluminum housing. Engineered to last, all gaskets are anti-UV, anti-aging with no harmful out-gassing. The OLFLS floodlight comes standard with a 1/2" NPT adjustable knuckle mount, 0-10V dimming and 10kV surge suppression. Alternate mounting selections include trunnion bracket and tenon adapter. Each luminaire is also available with a number of options including multiple color temperatures and finishes, photocell, occupancy sensor, wireguard, and polycarbonate lens. All standard finishes are electrostatically applied and are available with an optional anodized base finish for use in natatorium or marine environments. The OLFLS floodlight is backed by Optec LED Lighting's 10-year warranty.



FEATURES

- Color Temperatures: 4000K and 5000K
- CRI: 70
- Lumen Maintenance: L70=50,000 at 25 °C
- Operating Temperature Range: -40 °C to 40 °C
- Durable All Aluminum Pressure Die Cast Housing
- Long Life Durable Powder Coat Finish (Custom colors are available upon request.)
- IP65 Rated (wet listed)
- Mounting: 1/2" NPT adjustable knuckle standard. Optional trunnion or tenon adapter available.

ELECTRICAL SPECIFICATIONS

- 120-277V
- Power Factor > 0.90
- THD < 0.85
- Control Options: 0-10V Dimming Standard (Photocell Optional)

TESTS & CERTIFICATIONS

- ETL (to UL1598 standards)
- RoHS Compliant
- Design Lights Consortium (Premium)



CITIZEN.



WARRANTY

- 10-Year Warranty (Parts or Replacement)

PERFORMANCE SPECIFICATIONS

Distribution	Model / Wattage	Lumens		Candlepower (CBCP)	
		4000K	5000K	4000K	5000K
3 x 3	OLFLS-020	2,154	2,198	11,486	11,416
	OLFLS-030	3,214	3,280	17,143	17,039
5 x 5	OLFLS-020	2,029	2,070	3,256	3,322
	OLFLS-030	3,043	3,105	4,883	4,983
7 x 6	OLFLS-020	2,629	2,659	1,371	1,346
	OLFLS-030	3,691	3,762	1,966	1,929

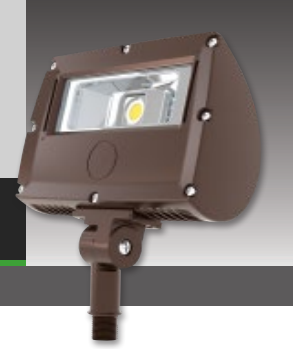
Voltage (V)	Current (A)	
	20W	30W
120	0.17	0.25
208	0.10	0.14
240	0.08	0.13
277	0.07	0.11



Description : **OLFLS-20-VOLT-30-5X5-MOUNT-FINISH-UV**
 Project Name: **STANLEY TERRACE**

TYPE: **S1**

Notes:



Floodlight Series (Small)

ORDERING INFORMATION

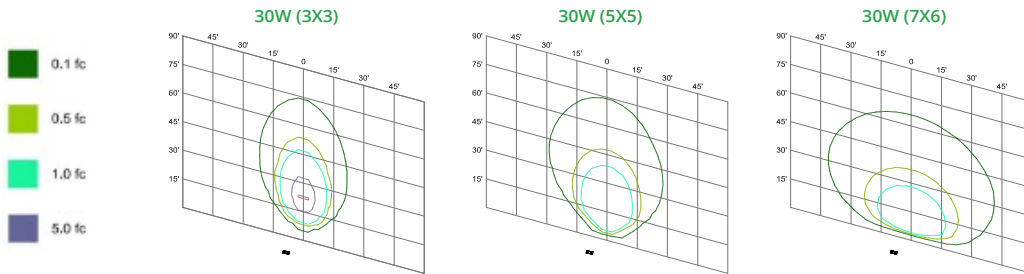
EXAMPLE: OLFLS-020-UNV-50-3X3-TR-BP-UV

SERIES	WATTAGE	VOLTAGE	COLOR TEMP	DISTRIBUTION	MOUNT	FINISH	CONTROL / OPTIONS
OLFLS = Optec LED Floodlight Small	020 = 20W 030 = 30W	UNVL = 120-277V	30 = 3000K 35 = 3500K 40 = 4000K 50 = 5000K	3 X 3 = Spot 5 X 5 = Flood 7 X 6 = Horizontal Flood	AK = Adjustable Knuckle ¹ TR = Trunnion TA = Tenon Adapter	BZ = Dark Bronze WH = White NA = Natural Aluminum BL = Black CC = Custom Color	BP = Button Photocell ² UV = Upper Visor ³ LV = Lower Visor ³ PL = Polycarbonate Lens WG = Wireguard

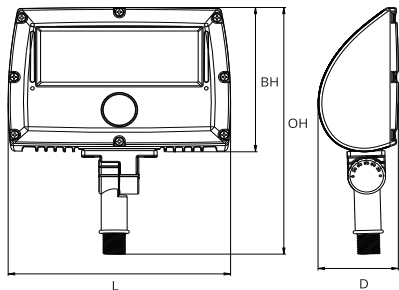
¹ AK = 1/2" NPT Adjustable Knuckle
² Photocell Default = Fail in "ON" Mode (unless otherwise specified).
³ Upper Visor and Lower Visor can be specified together.

PHOTOMETRIC PERFORMANCE

Isofootcandle plots = OLFLS 20W model in 5000K CCT @ 15' setback. Distances are in units of mounting height.



DIMENSIONS, WEIGHTS & MOUNTING



	Wattage	20W	30W
L = Length (inches / mm)		8.11 / 206.0	8.11 / 206.0
D = Depth (inches / mm)		2.93 / 74.4	2.93 / 74.4
BH = Body Height (inches / mm)		5.56 / 141.1	5.56 / 141.1
OH = Overall Height (inches / mm)		9.49 / 241.1	9.49 / 241.1
Weight (lbs / kg)		5.51 / 2.5	5.73 / 2.6
Effective Projected Area (EPA) in ft ²			
Configuration		■	
Wattage			
20		0.870	
30		0.870	

