



SEBREE
ARCHITECTS

CONSULTANT

**SLEEP INN
PLAINFIELD**
6023 GATEWAY DRIVE
PLAINFIELD, INDIANA

CERTIFIED BY

NO. DATE BY DESCRIPTION

DATE 07/31/2025
PROJECT NO. 25001

ARCHITECTURAL
SITE PLAN AND
SITE DETAILS

SHEET NO.

AS100

THESE PLANS AND SPECIFICATIONS ARE PROVIDED UNDER FEDERAL COPYRIGHT LAWS.
© SEBREE ARCHITECTS, INC. ALL RIGHTS RESERVED.

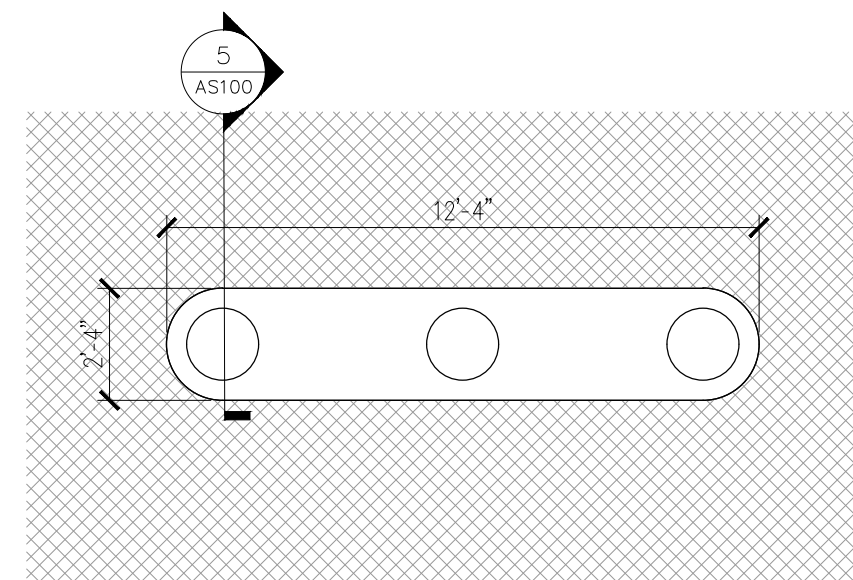


1 ARCHITECTURAL SITE PLAN
SCALE: 1/32"=1'-0"



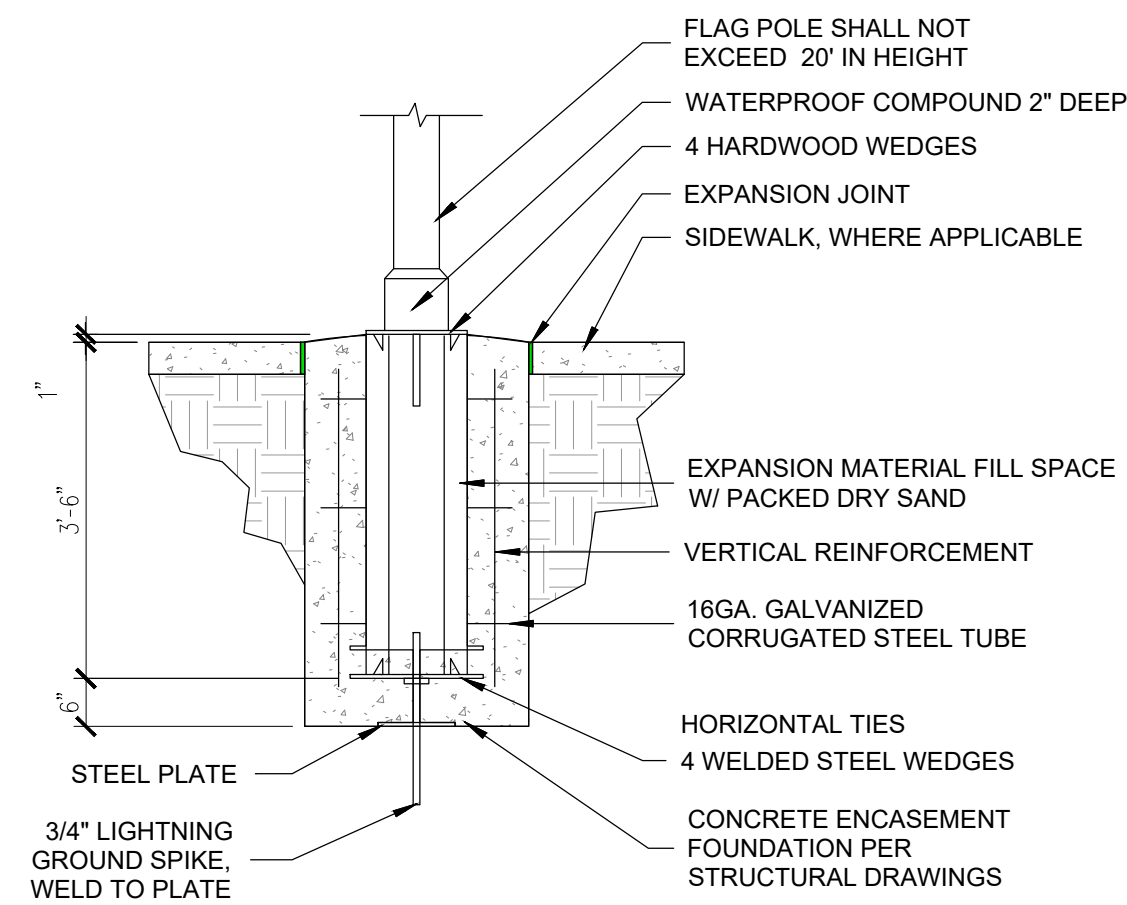
PROPOSED SIGNS:

- ① 40" CHANNEL LETTERS
- ② 3'-8 1/4" X 10'-10" MONUMENT SIGN

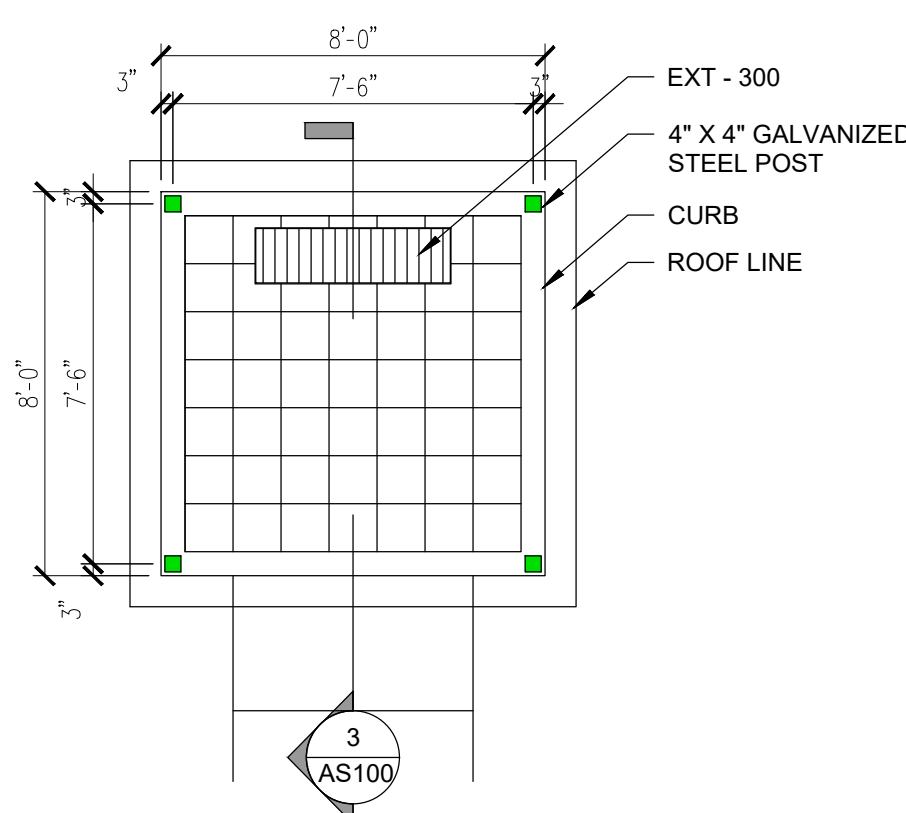


4 FLAGPOLE PLAN
SCALE: 1/4"=1'-0"

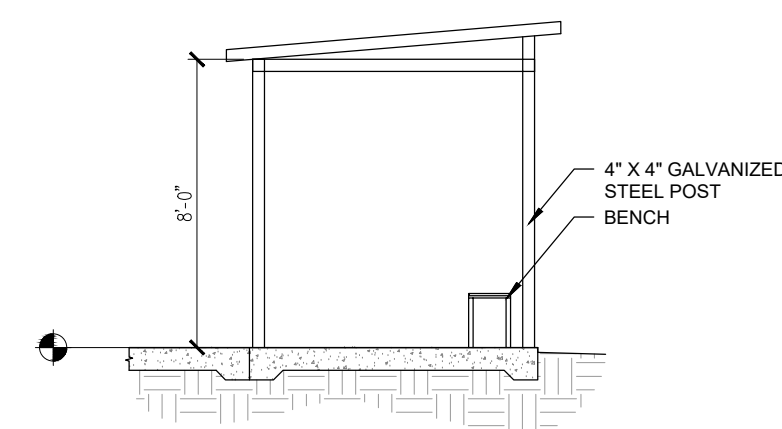
NOTE: REFER TO LOCAL CODE FOR FLAGPOLE REQUIREMENTS



5 FLAGPOLE DETAIL
SCALE: 1/2"=1'-0"



2 SMOKING AREA PLAN
SCALE: 1/4"=1'-0"



3 SMOKING AREA FRONT ELEVATION
SCALE: 1/4"=1'-0"