



SIGN PACKAGE PROPOSAL

NEW BUILD

PRESENTED TO:

Culver's
2224 Perry Rd
Plainfield, IN

DATE PREPARED:

03/25/24 - Preliminary
4/9/24 - SPT-1, Monument edit, elevations updated
4/26/24 - Permitting
4/26/24 - Elevations update
4/22/24 - Elevations update
12/29/25 - EMC, DTC-3, MB-DT-46, VHD-2, SPT-1 Update

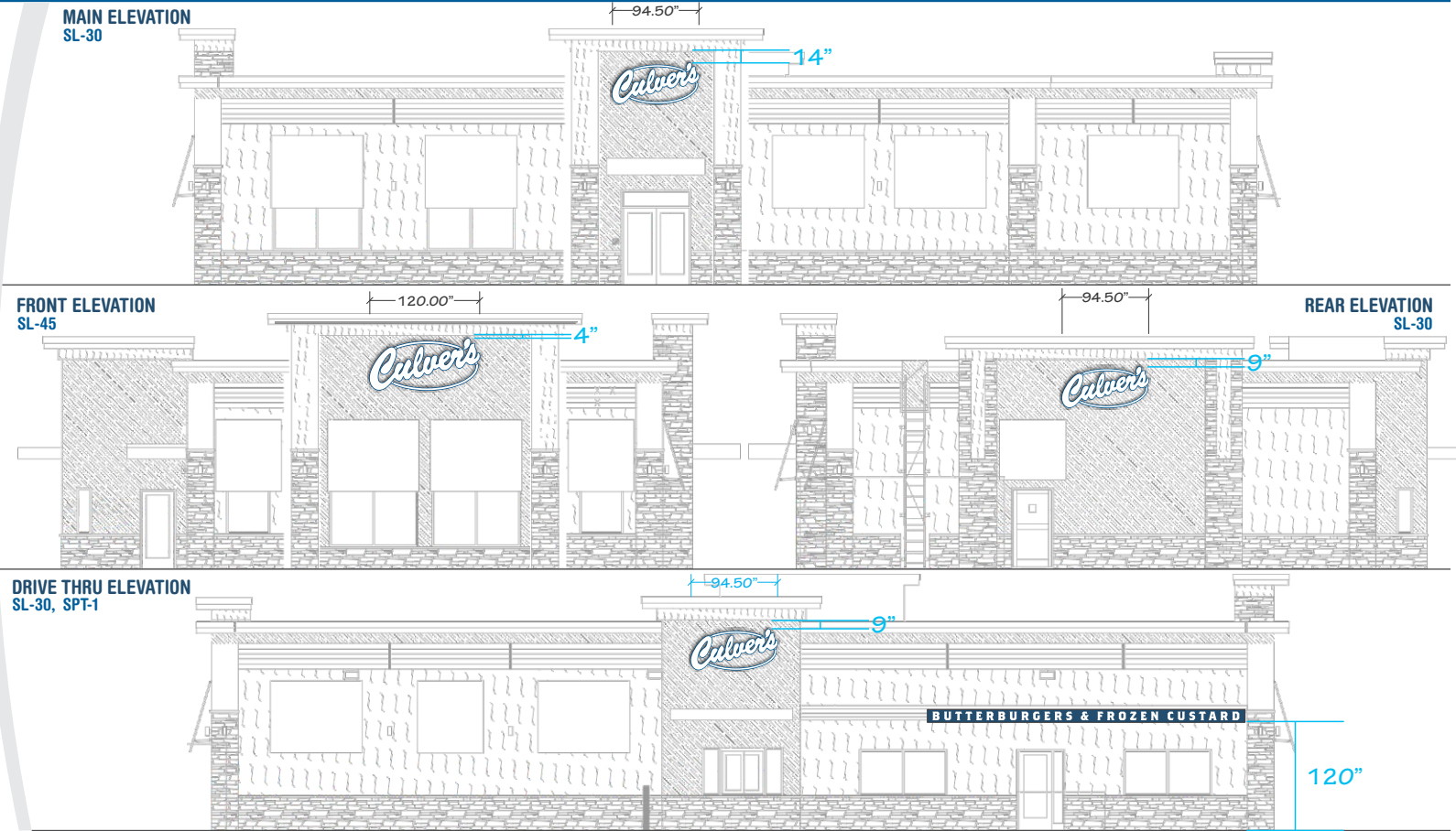
ELEVATION WALL SIGNS

PLAINFIELD, IN

SL-45 & SL-30 Illuminated White Script Channel Letters

SL-SERIES

- Channel letter construction
- One piece (saddle capped sections)
- LED internal illumination
- Typical application for new construction
- Embedded power supplies
- UL marked product
- No install pattern needed, level line scribed in back of sign



SCALE: 1/16" = 1'

*SCALE AND COLORS NOT REPRESENTATIVE FROM EMAIL ATTACHMENTS
*ALL MEASUREMENTS ARE APPROXIMATE

SIGN SQUARE FOOTAGE

MAIN ELEVATION: QTY-1 SL-30 (44.37" X 94.50") = 29.12 SF
 FRONT ELEVATION: QTY-1 SL-45 (56.00" X 120.00") = 46.67 SF
 REAR ELEVATION: QTY-1 SL-30 (44.37" X 94.50") = 29.12 SF
 DRIVE THRU ELEVATION: QTY-1 SL-30 (44.37" X 94.50") = 29.12 SF
 QTY-1 SPT-1 (14.00" X 346.75") = 33.71 SF

NOTES

 MFG: T.B.D.
STYLE: T.B.D.
COLOR: T.B.D.  MFG: T.B.D.
STYLE: T.B.D.
COLOR: T.B.D.

DATE CREATED / REVISION HISTORY

DATE	DESCRIPTION
3/25/24	NEW
7/22/24	Elevations update
4/9/24	Elevations edit & SPT-1
4/26/24	Permitting
5/30/24	Elevations update

SALES PERSON: MARK WESSELL	DESIGNED BY: J KROEGER	A0: 51060
--------------------------------------	----------------------------------	---------------------

© 2020 Springfield Sign & Graphics Inc., Springfield Sign

This drawing is Copyrighted material, it remains the property of Springfield Sign unless otherwise agreed upon in writing. It is unlawful to use this drawing for bidding purposes, nor can it be reproduced, copied or used in the production of a sign without written permission from Springfield Sign & Graphics.

This is an artistic rendition and final colors / sizes may vary from that depicted herein.



 **SPRINGFIELD SIGN**
www.springfieldsign.com

ME-C CUSTOM MONUMENT WITH EMC

PLAINFIELD, IN

ME-C-60X120-10-RGB

ME-C

Culver's sign cabinet of aluminum construction and internally illuminated with LED's
- All aluminum construction with stucco finish

Thermoformed polycarbonate faces, embossed Culver's, 3M HP vinyl decoration

Watchfire 60x120 RGB full color 10mm Electronic Message Center (EMC) with Broadband communication

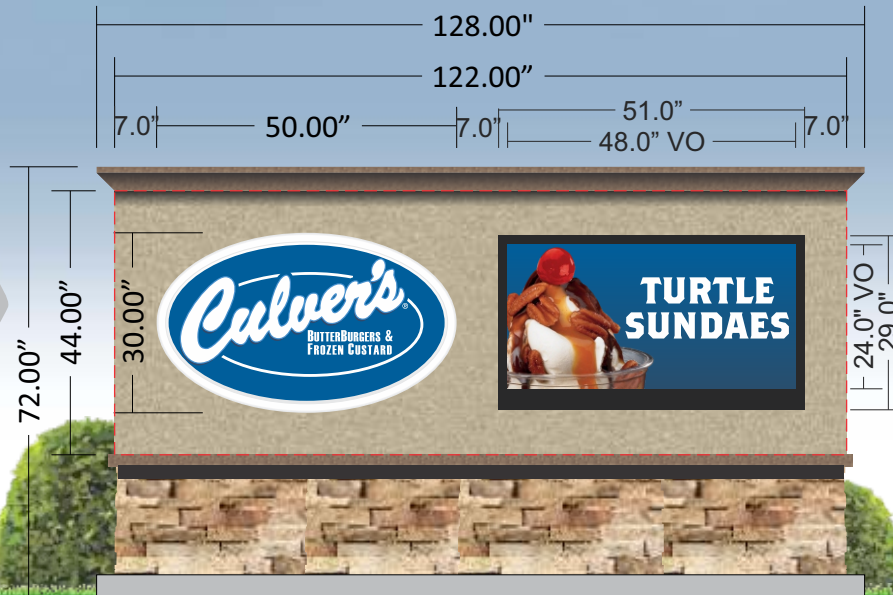
Amber EMC option available

UL marked product

1 - Watchfire signs by Time-0-Matic Inc.



NOTE:
ELECTRONIC MESSAGE CENTER
(EMC) SOLD SEPARATELY



SCALE: 3/8" = 1'

*SCALE AND COLORS NOT REPRESENTATIVE FROM EMAIL ATTACHMENTS
*ALL MEASUREMENTS ARE APPROXIMATE

EMC CHART - KNOWN RESTRICTIONS

COLOR: Y N STATIC: Y N VIDEO: Y N
ANIMATION: Y N MOVEMENT: Y N

HOLD TIME (IF STATIC): ? Sec/Min _____

TRANSITION TYPE: Transition if applicable _____

DAYTIME BRIGHTNESS: Brightness if applicable _____

NIGHTTIME BRIGHTNESS: Brightness if applicable _____

ADDITIONAL RESTRICTIONS:

Additional restrictions if applicable

SIGN CODES

Max Height: 6'-0"
Max SF: 48 SF

evergreen shrubs sufficient to block any electrical panels or other mechanical panels. Landscaping may include any size or variety of annuals, perennials, ornamental grasses, Hedge Plants, or trees.

NOTES

Square Footage:

(MATH.): OVAL (8.18 SF) + EMC VO (8 SF) = 16.18 SF
(RECT.): OVAL (10.63 SF) + EMC VO (8 SF) = 18.63 SF
OVERALL: 44" X 122" = 37.27 SF

SALES PERSON: MARK WESSELL	DESIGNED BY: JK, BEN BLAUVELT	AO: 51860
-------------------------------	----------------------------------	--------------

DATE CREATED / REVISION HISTORY	
3/25/24 - NEW	
4/9/24 - Monument change	
4/26/24 - Permitting	
12/29/25 - EMC Change	

© 2020 Springfield Sign & Graphics Inc., Springfield Sign

This drawing is Copyrighted material, it remains the property of Springfield Sign unless otherwise agreed upon in writing. It is unlawful to use this drawing for bidding purposes, nor can it be reproduced, copied or used in the production of a sign without written permission from Springfield Sign & Graphics.

This is an artistic rendition and final colors / sizes may vary from that depicted herein.



AD-1 ADDRESS NUMBERS

PLAINFIELD, IN

Routed Address Numbers

AD-1

Address letters as required for building occupancy

Size & quantity may vary

Stud/adhesive mounting

1/2" thick, black XPVC

NOTE: Address to be verified with G.C. prior to mfg.



*SEE NOTE



SCALE: 1" = 6'

* Determined by physical address numbers

*SCALE AND COLORS NOT REPRESENTATIVE FROM EMAIL ATTACHMENTS
*ALL MEASUREMENTS ARE APPROXIMATE

TYPICAL INSTALLATION

*SEE NOTE



SCALE: 1/8" = 1'

NOTES

SALES PERSON: MARK WESSELL	DESIGNED BY: J KROEGER	AO: 51860
--------------------------------------	----------------------------------	---------------------

DATE CREATED / REVISION HISTORY	
3/25/24 - NEW	
4/26/24 - Permitting	

DIR DIRECTIONAL SIGNS

PLAINFIELD, IN

Illuminated Directional Signs

DIR

- All aluminum construction
- LED internal illumination
- Totally self contained lighting
- Polycarbonate thermoformed faces
- Face removal for service
- Site plans show placement & field orientation
- UL marked product

DIRECTIONAL SIGN 1
DIR-D10-D12



SIDE: A



SIDE: B

DIRECTIONAL SIGN 2
DIR-#-#

DIRECTIONAL SIGN 3
DIR-#-#



SCALE: 3/4" = 1'

*SCALE AND COLORS NOT REPRESENTATIVE FROM EMAIL ATTACHMENTS
*ALL MEASUREMENTS ARE APPROXIMATE

SIGN CONCEPTUAL

NOTE:
SIGN FACE SHOWN IS FOR DIMENSIONAL DRAWING ONLY (CULVER'S LOGO). ACTUAL LOCATION SIGN FACES ARE SHOWN ON LEFT.

NOTES

SQUARE FOOTAGE CALCULATIONS:
MATHEMATICAL: 2.55 SF
RECTANGULAR: 3.24 SF

SALES PERSON: MARK WESSELL	DESIGNED BY: J KROEGER	AO: 51860
--------------------------------------	----------------------------------	---------------------

DATE CREATED / REVISION HISTORY	
3/25/24 - NEW	
4/26/24 - Permitting	

DTC-3 DRIVE-THRU CANOPY

PLAINFIELD, IN

Drive-Thru Canopy For Order Confirmation System (OCS)

DTC-3

All aluminum construction

Rated for 160 mph winds (3 second burst) & heavy northern states snow loads

Order Confirmation System (OCS) by others

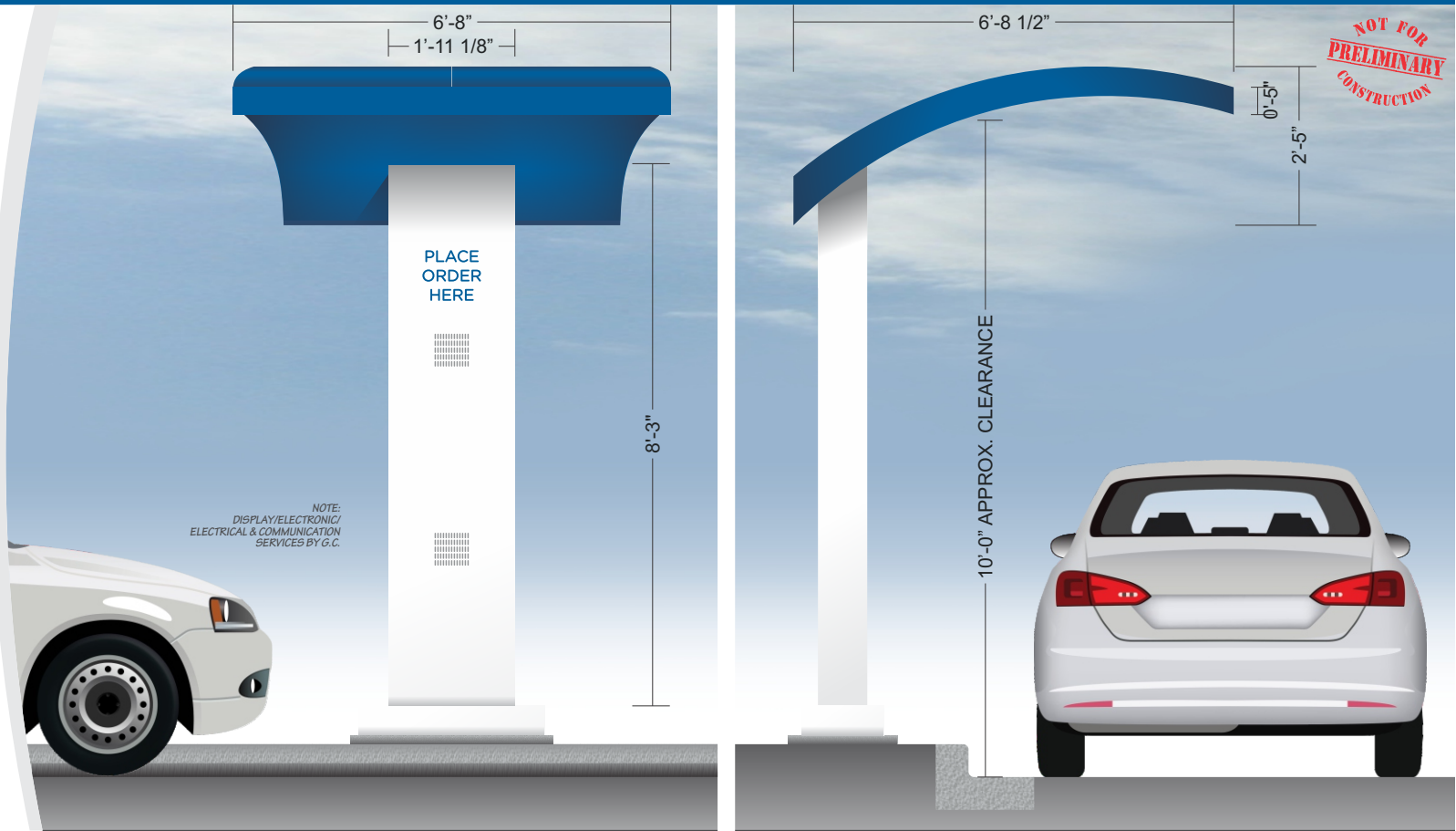
Rear panel (door) access - lockable

Provides protection from rain for DT customer

Houses speaker & microphone

QTY: 2

Culver's



SCALE: 3/8" = 1'

*SCALE AND COLORS NOT REPRESENTATIVE FROM EMAIL ATTACHMENTS
*ALL MEASUREMENTS ARE APPROXIMATE

NOTES

DATE CREATED / REVISION HISTORY

3/25/24 - NEW			
4/26/24 - Permitting			
12/29/25 - DTC-3 Update			

SALES PERSON: MARK WESSELL	DESIGNED BY: JK, BEN BLAUVELT	A0: 51060
--------------------------------------	---	---------------------

© 2020 Springfield Sign & Graphics Inc., Springfield Sign

This drawing is Copyrighted material, it remains the property of Springfield Sign unless otherwise agreed upon in writing. It is unlawful to use this drawing for bidding purposes, nor can it be reproduced, copied or used in the production of a sign without written permission from Springfield Sign & Graphics.

This is an artistic rendition and final colors / sizes may vary from that depicted herein.



 **SPRINGFIELD SIGN**
www.springfieldsign.com

MB-DT-DD3 EXTERIOR DIGITAL DISPLAY MENU BOARD

PLAINFIELD, IN

Outdoor Drive-Thru Menu Board - 3 Screens

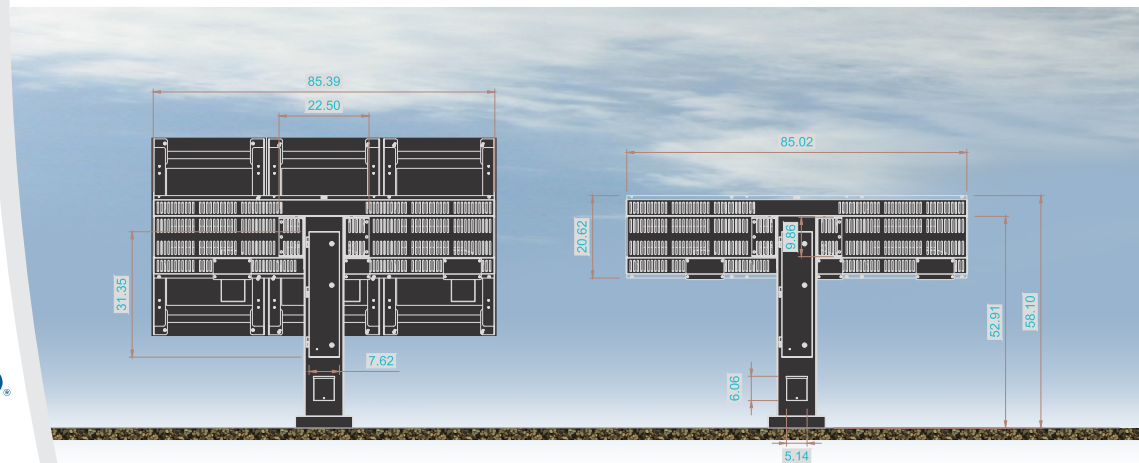
MB-DT-DD3

Standard Menu Board for Drive-Thru Lane

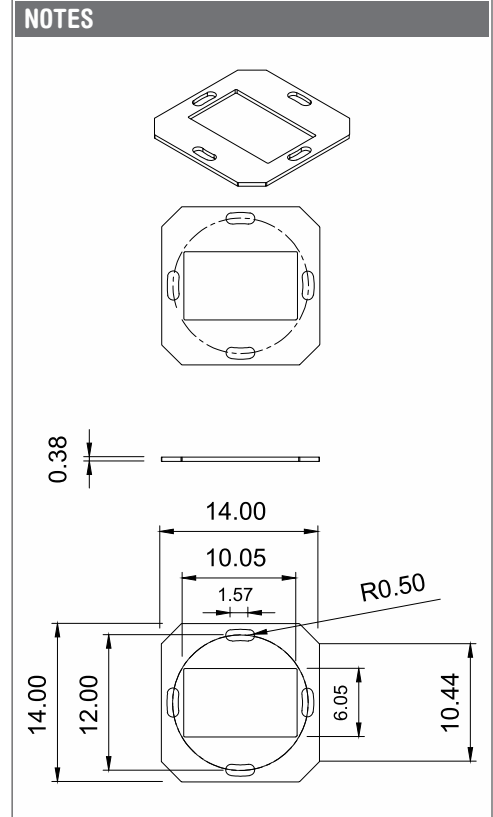
LED Internal Illumination

Digital display option

QTY: 2



*SCALE AND COLORS NOT REPRESENTATIVE FROM EMAIL ATTACHMENTS
*ALL MEASUREMENTS ARE APPROXIMATE



SALES PERSON: MARK WESSELL	DESIGNED BY: JK, BEN BLAUVELT	A0: 51860
--------------------------------------	---	---------------------

DATE CREATED / REVISION HISTORY	
3/25/24 - NEW	
4/26/24 - Permitting	
12/29/25 - 3 Panel Digital Board	

© 2020 Springfield Sign & Graphics Inc., Springfield Sign

This drawing is Copyrighted material, it remains the property of Springfield Sign unless otherwise agreed upon in writing. It is unlawful to use this drawing for bidding purposes, nor can it be reproduced, copied or used in the production of a sign without written permission from Springfield Sign & Graphics.

This is an artistic rendition and final colors / sizes may vary from that depicted herein.



MB-DT-DD1 EXTERIOR DIGITAL DISPLAY MENU BOARD

PLAINFIELD, IN

Outdoor Drive-Thru Menu Board - 1 Screen

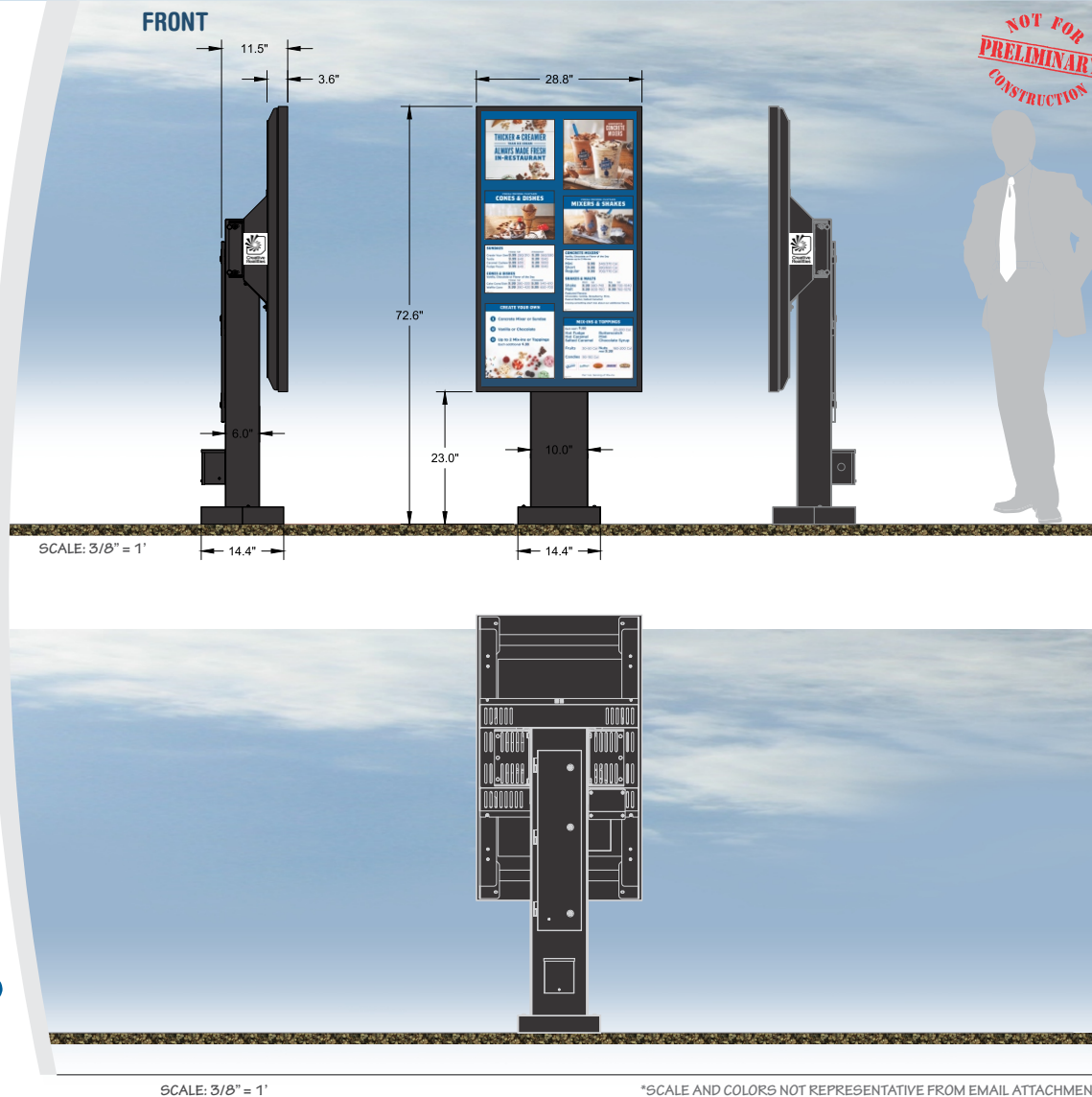
MB-DT-DD1

Standard Menu Board for Drive-Thru Lane

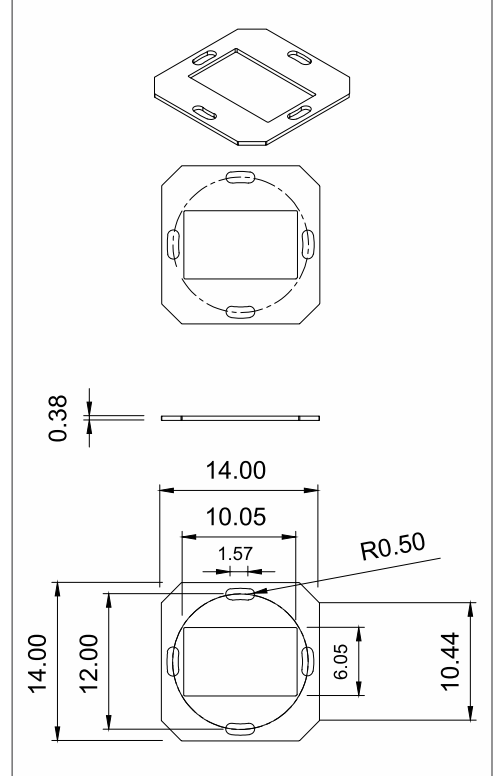
LED Internal Illumination

Digital display option

QTY: 1



NOTES



SALES PERSON: MARK WESSELL	DESIGNED BY: BEN BLAUVELT	A0: 51860
--------------------------------------	-------------------------------------	---------------------

DATE CREATED / REVISION HISTORY	
12/29/25 - 1 Panel Digital Board	

SCALE: 3/8" = 1'

*SCALE AND COLORS NOT REPRESENTATIVE FROM EMAIL ATTACHMENTS
*ALL MEASUREMENTS ARE APPROXIMATE

© 2020 Springfield Sign & Graphics Inc., Springfield Sign

This drawing is Copyrighted material, it remains the property of Springfield Sign unless otherwise agreed upon in writing. It is unlawful to use this drawing for bidding purposes, nor can it be reproduced, copied or used in the production of a sign without written permission from Springfield Sign & Graphics.

This is an artistic rendition and final colors / sizes may vary from that depicted herein.



www.springfieldsign.com

REG-HC-1 PARKING SIGN

PLAINFIELD, IN

Handicapped Parking Post & Panel Sign

REG-HC-1

All aluminum 0.080" thick panel

U-Channel steel post (green)

Bolted connection

Local codes may require actual copy/graphics to vary

Rounded corners for safety

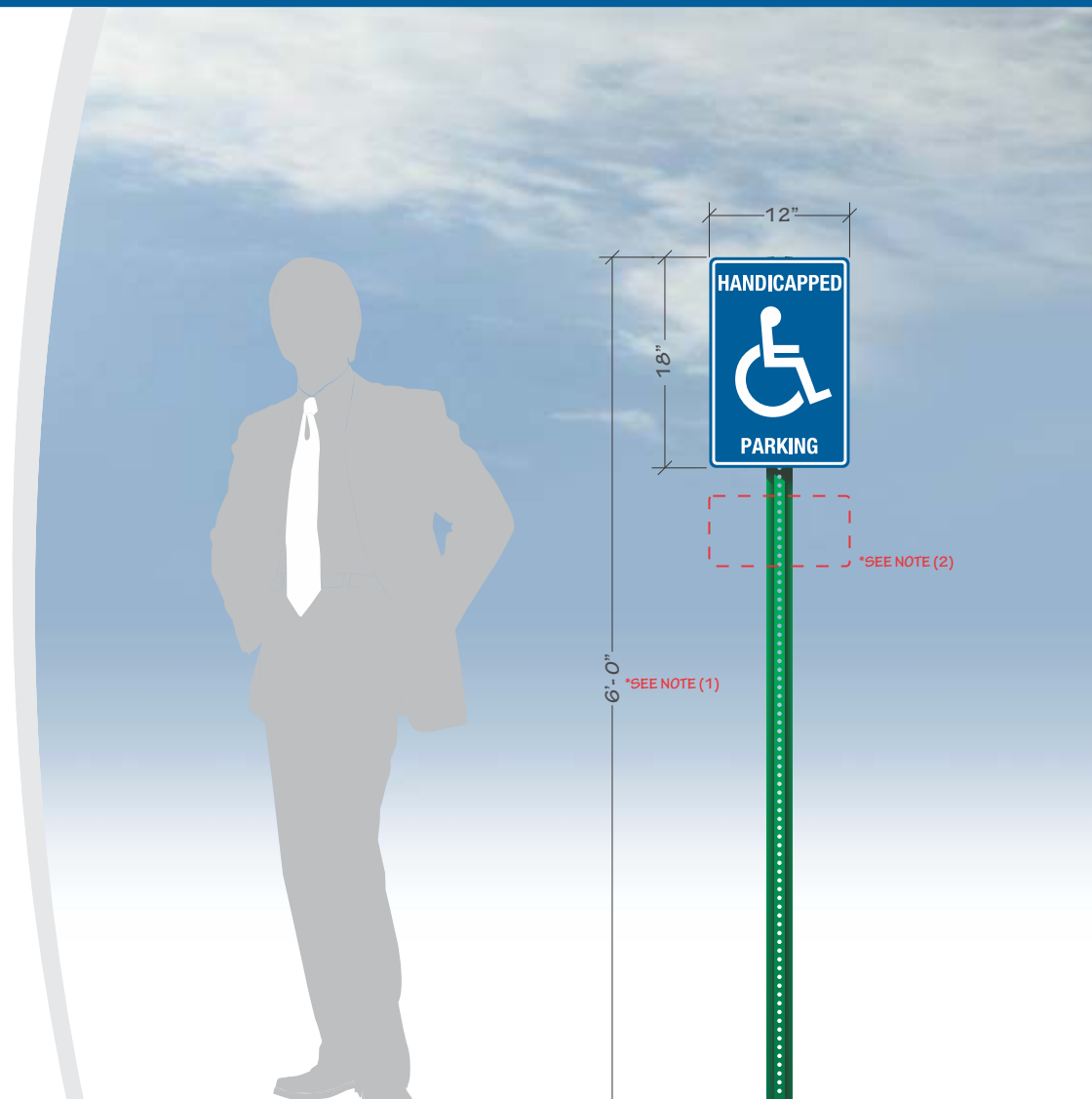
First surface vinyl (printed) copy

NOTE 1: Overall height can vary per local codes

NOTE 2: 6' x 12" sign panel may also be required



SCALE: 3/4" = 1'



*SCALE AND COLORS NOT REPRESENTATIVE FROM EMAIL ATTACHMENTS
*ALL MEASUREMENTS ARE APPROXIMATE

ADDITIONAL PARKING SIGN PANELS

STANDARD FACE OPTIONS:



ADDITIONAL FACE OPTIONS:



SCALE: 1/2" = 1'

SALES PERSON: MARK WESSELL	DESIGNED BY: J KROEGER	AO: 51860
--------------------------------------	----------------------------------	---------------------

DATE CREATED / REVISION HISTORY	
3/25/24 - NEW	
4/26/24 - Permitting	

V-1, V-5, V-6 DOOR & WINDOW VINYL

PLAINFIELD, IN

Entry Door & Drive-Thru Vinyl Lettering

V-1-1
V-5-1
V-6

3M¹ HP white vinyl substrate

UV digitally printed image (blue)

Satin gloss over laminate

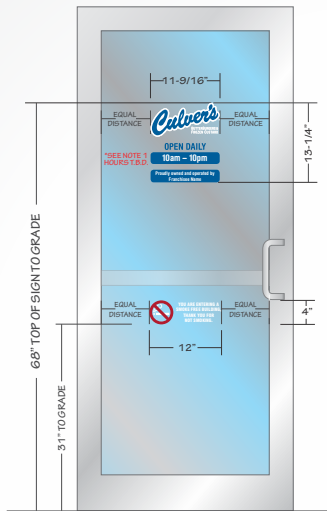
Contour cut

First surface application

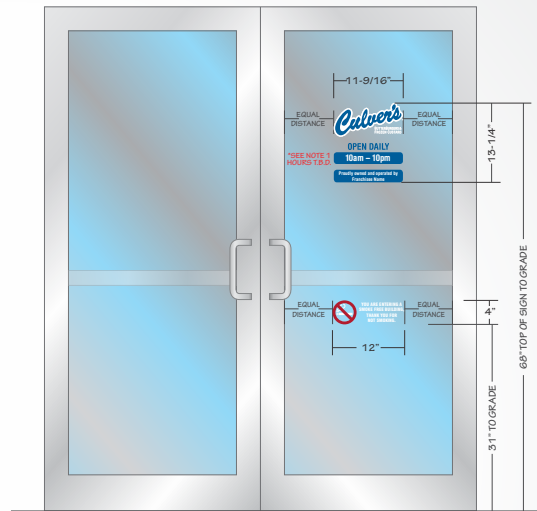
NOTE 1: Business hours shown are typical. However, each location may be different than shown.

1 - 3M is a registered trademark of Minnesota Mining & Manufacturing

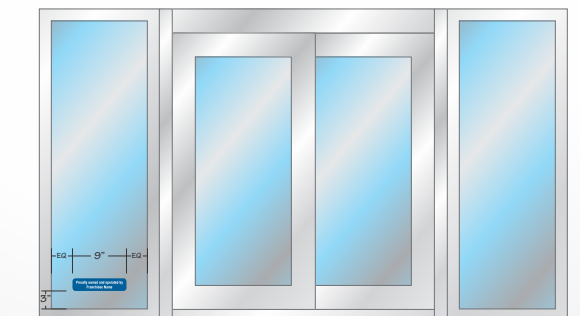
V-1-1 & V-6
TYPICAL SINGLE DOOR LAYOUT



V-1-1 & V-6
TYPICAL DOUBLE DOOR LAYOUT



V-5-1
TYPICAL DRIVE-THRU LAYOUT



SCALE: 3/8" = 1'

*SCALE AND COLORS NOT REPRESENTATIVE FROM EMAIL ATTACHMENTS
*ALL MEASUREMENTS ARE APPROXIMATE

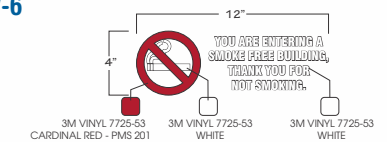
SIGN SPECIFICATIONS

V-1-1



SCALE: 1-1/2" = 1'

V-6



SCALE: 1-1/2" = 1'

V-5-1



SCALE: 1-1/2" = 1'

SALES PERSON: MARK WESSELL	DESIGNED BY: J KROEGER	AO: 51860
--------------------------------------	----------------------------------	---------------------

DATE CREATED / REVISION HISTORY	
3/25/24 - NEW	
4/26/24 - Permitting	



© 2020 Springfield Sign & Graphics Inc., Springfield Sign

This drawing is Copyrighted material, it remains the property of Springfield Sign unless otherwise agreed upon in writing. It is unlawful to use this drawing for bidding purposes, nor can it be reproduced, copied or used in the production of a sign without written permission from Springfield Sign & Graphics.

This is an artistic rendition and final colors / sizes may vary from that depicted herein.



VHD-2 VEHICLE HEIGHT DETECTOR

PLAINFIELD, IN

Vehicle Height Detector for Drive-Thru Lane

VHD-2

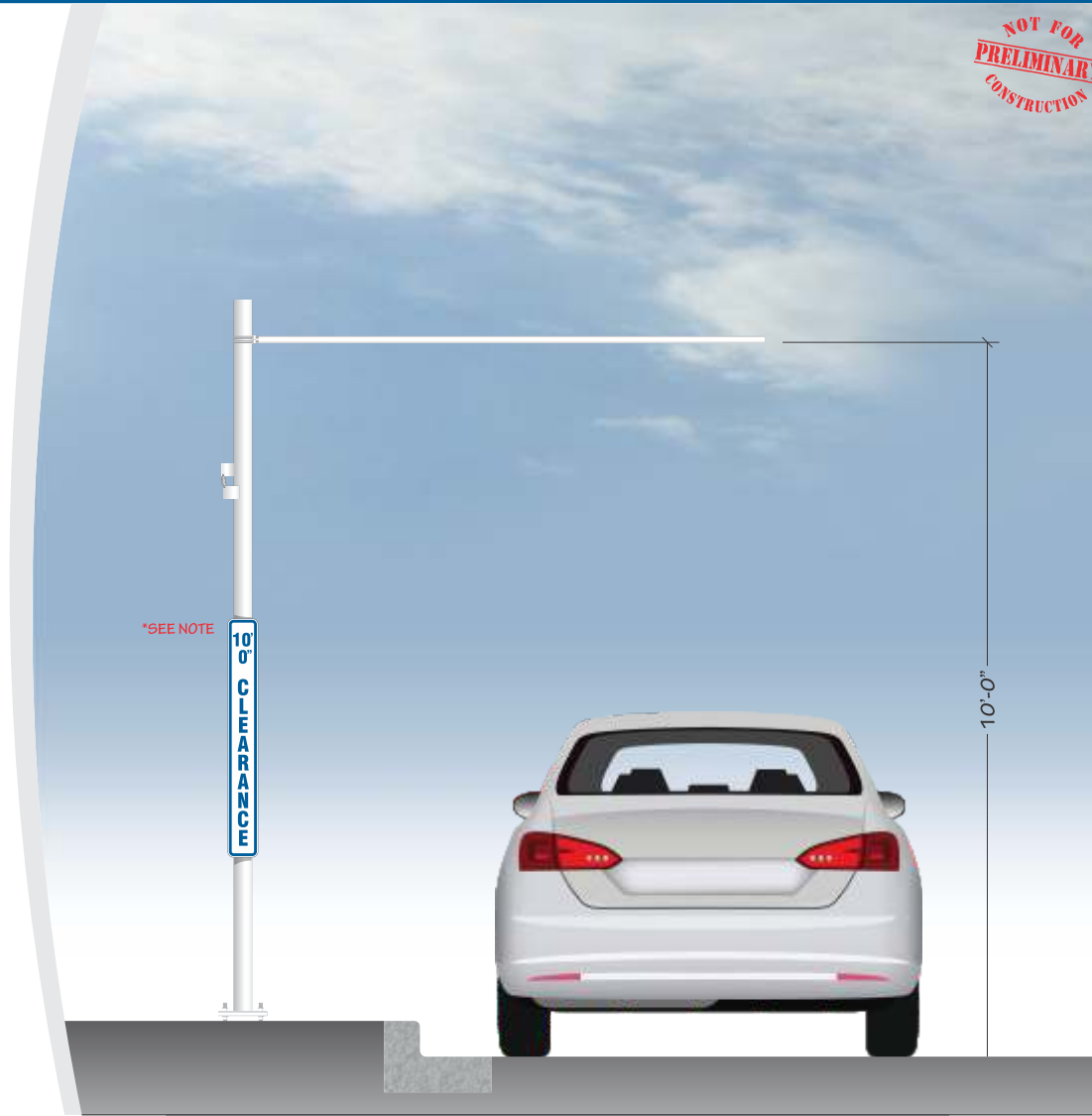
All steel (painted) construction

Re-settable if engaged

Used to help protect canopies from advancing vehicles that are too tall

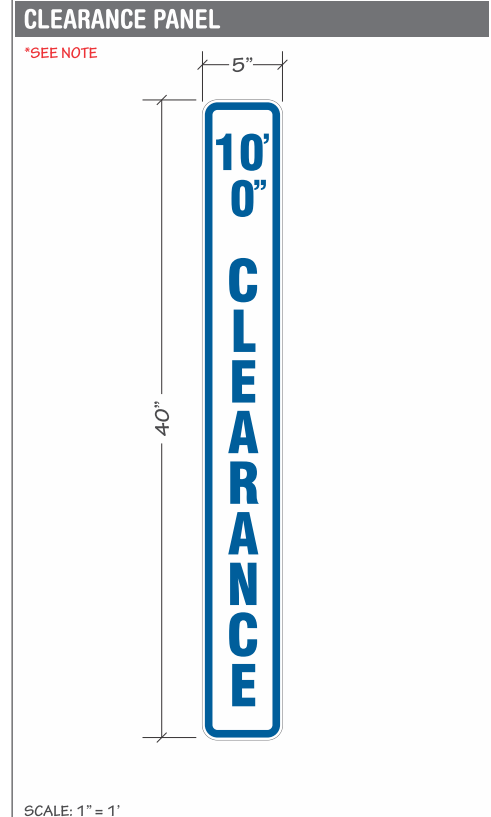
NOTE: Clearance height must be verified prior to mfg.

QTY: 2



SCALE: 3/8" = 1'

*SCALE AND COLORS NOT REPRESENTATIVE FROM EMAIL ATTACHMENTS
*ALL MEASUREMENTS ARE APPROXIMATE



SCALE: 1" = 1'

SALES PERSON: MARK WESSELL	DESIGNED BY: JK, BEN BLAUVELT	A0: 51860
--------------------------------------	---	---------------------

DATE CREATED / REVISION HISTORY	
3/25/24 - NEW	
4/26/24 - Permitting	
12/29/25 - VHD-2 Update	

© 2020 Springfield Sign & Graphics Inc., Springfield Sign

This drawing is Copyrighted material, it remains the property of Springfield Sign unless otherwise agreed upon in writing. It is unlawful to use this drawing for bidding purposes, nor can it be reproduced, copied or used in the production of a sign without written permission from Springfield Sign & Graphics.

This is an artistic rendition and final colors / sizes may vary from that depicted herein.

SPT-1 SLIM PUSH-THRU CABINET SIGN

PLAINFIELD, IN

Exterior Illuminated Push-Thru Cabinet Sign

SPT-1

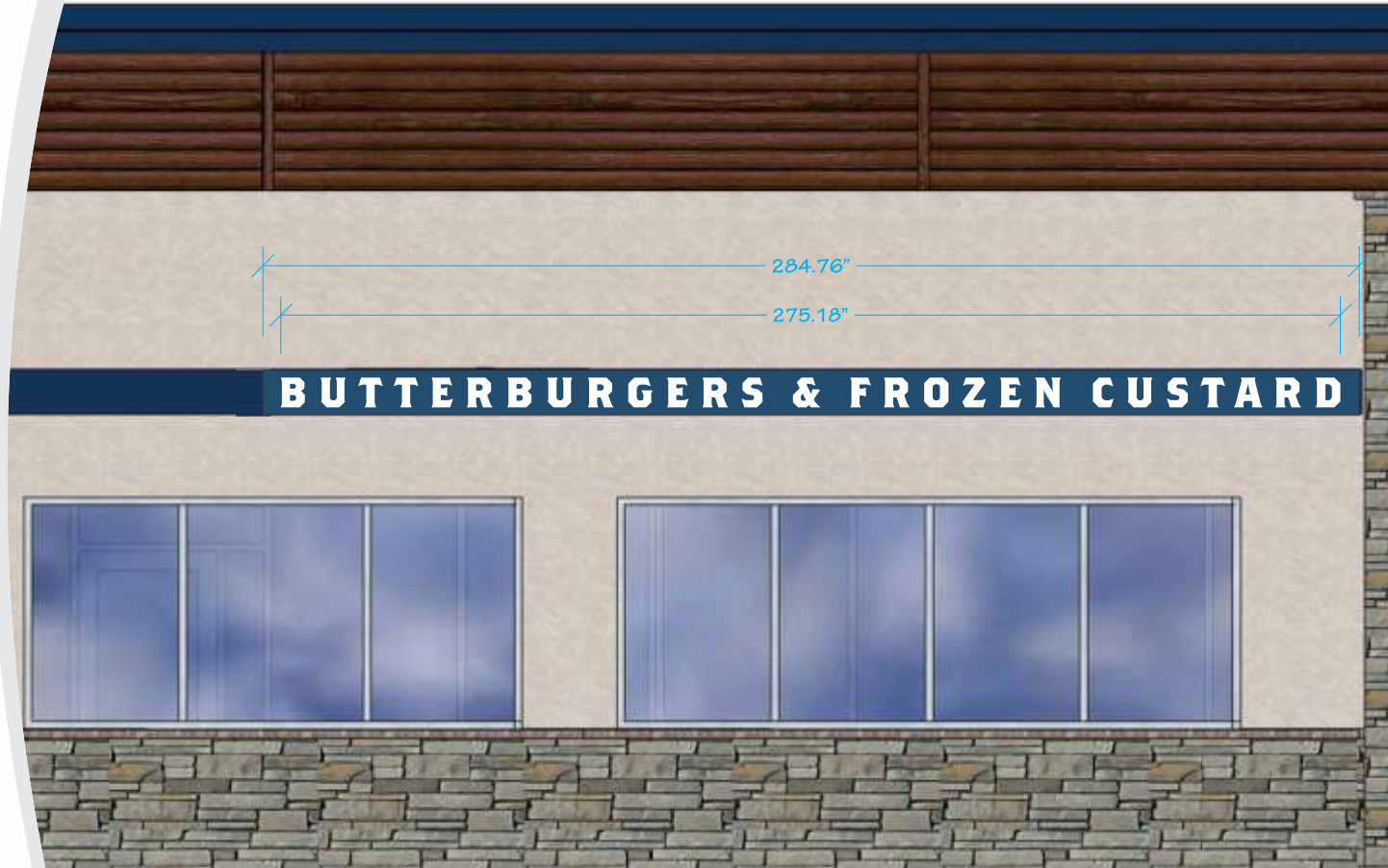
All Aluminum construction.

Single face LED internally illuminated White acrylic Push-Thru cabinet.

3" (depth) Cabinet to be painted Culver's Blue.

Flush mounted to face of awning.

NOTE: Sizing to be verified prior to production.



7.7" 11.5"

SCALE: 1/4" = 1'

*SCALE AND COLORS NOT REPRESENTATIVE FROM EMAIL ATTACHMENTS
*ALL MEASUREMENTS ARE APPROXIMATE

NOTES

Sizing is approximate, based off elevation drawings. Subject to change upon further review
QTY-1 SPT-1 (11.5" X 284.76") = 22.74 SF

DATE CREATED / REVISION HISTORY

4/9/24 - NEW			
4/26/24 - Permitting			
12/29/25 - SPT-1 Update			

SALES PERSON: MARK WESSELL	DESIGNED BY: JK, BEN BLAUVELT	AO: 51060
--------------------------------------	---	---------------------

© 2020 Springfield Sign & Graphics Inc., Springfield Sign

This drawing is Copyrighted material, it remains the property of Springfield Sign unless otherwise agreed upon in writing. It is unlawful to use this drawing for bidding purposes, nor can it be reproduced, copied or used in the production of a sign without written permission from Springfield Sign & Graphics.

hisT is an artistic rendition and final colors / sizes may vary from that depicted herein.



www.springfieldsign.com

SPT-1 SLIM PUSH-THRU CABINET SIGN

Exterior Illuminated Push-Thru Cabinet Sign - Attachment View

SPT-1

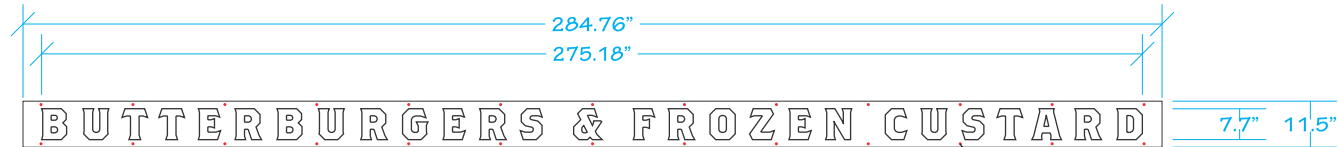
All Aluminum construction.

Single face LED internally illuminated White acrylic Push-Thru cabinet.

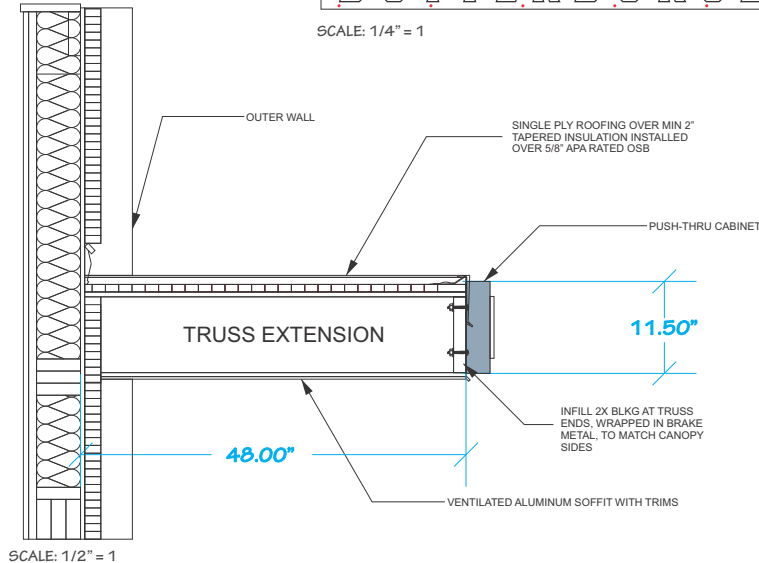
3" (depth) Cabinet to be painted Culver's Blue.

Flush mounted to face of awning.

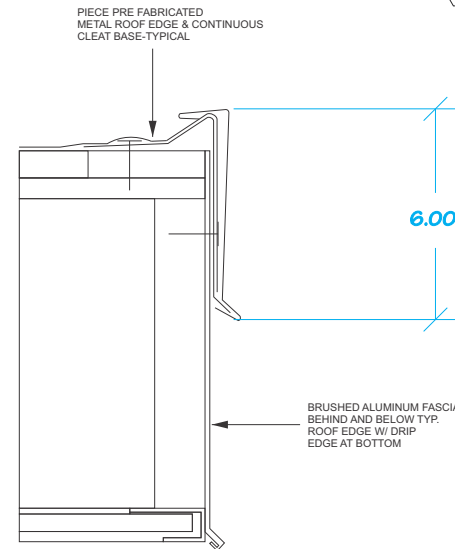
NOTE: Sizing to be verified prior to production.



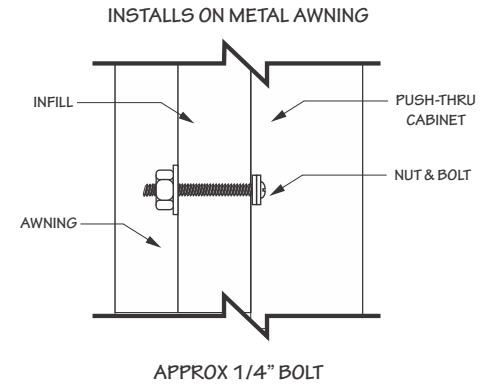
SCALE: 1/4" = 1



SCALE: 1/2" = 1



SCALE: NTS



SCALE: VARIOUS

*SCALE AND COLORS NOT REPRESENTATIVE FROM EMAIL ATTACHMENTS
*ALL MEASUREMENTS ARE APPROXIMATE

NOTES

Sizing is approximate, based off elevation drawings. Subject to change upon further review
QTY-1 SPT-1 (11.5" X 284.76") = 22.74 SF

DATE CREATED / REVISION HISTORY

4/9/24 - NEW			
4/26/24 - Permitting			
12/29/25 - SPT-1 Update			

SALES PERSON: MARK WESSELL	DESIGNED BY: JK, BEN BLAUVELT	AO: 51860
--------------------------------------	---	---------------------

© 2020 Springfield Sign & Graphics Inc., Springfield Sign

This drawing is Copyrighted material, it remains the property of Springfield Sign unless otherwise agreed upon in writing. It is unlawful to use this drawing for bidding purposes, nor can it be reproduced, copied or used in the production of a sign without written permission from Springfield Sign & Graphics.

hisT is an artistic rendition and final colors / sizes may vary from that depicted herein.

