



# Steel Poles

## Square Straight



### QUICK LINKS

[Ordering Guide](#)[Configurations](#)[Dimensions](#)[EPA](#)

## FEATURES & SPECIFICATIONS

### Pole Shaft

- Straight poles are 4", 5", or 6" square.
- Pole shaft is electro-welded ASTM-A500 Grade C steel tubing with a minimum yield strength of 50,000 psi.
- On Tenon Mount steel poles, tenon is 2-3/8" O.D. high-strength pipe. Tenon is 4-3/4" in length.

### Hand-Hole

- Standard hand-hole location is 12" above pole base.
- Poles 22' and above have a 3" x 6" reinforced hand-hole. Shorter poles have a 2" x 4" non-reinforced hand-hole.

### Base

- Pole base is ASTM-A36 hot-rolled steel plate with a minimum yield strength of 36,000 psi.
- Two-piece square base cover is optional.

### Anchor Bolts

- Poles are furnished with anchor bolts featuring zinc-plated double nuts and washers. Galvanized anchor bolts are optional.
- Anchor bolts conform to ASTM F 1554-07a Grade 55 with a minimum yield strength of 55,000 psi.

### Ground Lug

- Ground lug is standard.

### Duplex Receptacle

- Weatherproof duplex receptacle is optional.

### Ground Fault Circuit Interrupter

- Self-testing Ground fault circuit interrupter is optional.

### Finishes

- Every pole is provided with the DuraGrip® Protection System and a 5-year limited warranty:
- When the top-of-the line DuraGrip® Plus Protection System is selected, in addition to the DuraGrip® Protection System, a non-porous, automotive-grade corrosion coating is applied to the lower portion of the pole interior, sealing and further protecting it from corrosion. This option extends the limited warranty to 7 years.

### Determining The Luminaire/Pole Combination For Your Application:

- Select luminaire from luminaire ordering information
- Select bracket configuration if required
- Determine EPA value from luminaire/bracket EPA chart
- Select pole height
- Select MPH to match wind speed in the application area (See windspeed maps).
- Confirm pole EPA equal to or exceeding value of luminaire/bracket EPA
- Consult factory for special wind load requirements and banner brackets

### Pole Vibration Damper

- A pole vibration damper is recommended in open terrain areas of the country where low steady state winds are common.
- Non-tapered poles and lightly loaded poles are more susceptible to destructive vibration if a damper is not installed.

### Listings

- UL Listed
- BAA/TAA Compliant





## ORDERING GUIDE

[Back to Quick Links](#)

TYPICAL ORDER EXAMPLE: **4SQ B5 S11G 24 S PLP DGP**

Pole Series	Mounting Method	Material	Height 4	Mounting Configuration	Pole Finish	Options
<b>4SQ</b> - 4" x 4" Square Straight Pole <b>5SQ</b> - 5" x 5" Square Straight Pole <b>6SQ</b> - 6" x 6" Square Straight Pole	<b>Bolt-On Mount</b> <sup>1</sup> - See pole selection guide for patterns and fixture matches. <b>B5</b> - 5" Traditional Drilling Pattern <b>B3</b> - 3" Reduced Drilling Pattern <b>B2</b> - 2" Reduced Drilling Pattern	<b>S11G</b> - 11 Ga. Steel (4SQ and 5SQ only) S07G - 07 Ga. Steel	8' 10' 12' 13' 14' 15' 16' 17' 17' 6" 18' 20' 22' 22' 6" 23' 24' 25' 26' 27' <b>28'</b> 30' 32' 35' 39'	S - Single/Parallel D180 - Double D90 - Double DN90 - Double T90 - Triple TN120 - Triple Q90 - Quad QN90 - Quad	<b>BRZ</b> - Bronze BLK - Black PLP - Platinum Plus WHT - White SVG - Satin Verde Green GPT - Graphite MSV - Metallic Silver BZA - Alternate Bronze	GA - Galvanized Anchor Bolts SF - Single Flood <sup>3</sup> DF - Double Flood <sup>3</sup> DGP - DuraGrip® Plus LAB - Less Anchor Bolts OSXX - Pole preparation for PMOS Occupancy Sensor <sup>4</sup> CRXX - Conduit Raceway <sup>6</sup>
	<b>T</b> - Tenon Mount - See pole selection guide for tenon and fixture/bracket matches.			<b>N</b> - Tenon Mount (Standard tenon size is 2-3/8" O.D.)		
	<b>I</b> - No Mounting Holes <sup>1</sup> - Use with: • BKA 4ISF & BKA 5ISF • BKA X4ISF & BKA X5ISF					<div style="border: 1px solid black; padding: 5px;">           Standard SF and DF pole preparations are located 3/4 of the height of the pole from the base, except on 20' poles. Maximum height for SF and DF pole preparations on 20' poles is 13' from the base.         </div>

Height Restriction, Consult Pole Selection Chart on opposite page

## Accessory Ordering Information

Description	Order Number	Description	Order Number
4BC - 4" Square Base Cover	122559CLR	Vibration Damper - 4" Square Pole (bolt-on mount only)	172539
<b>5BC</b> - 5" Square Base Cover	122561CLR	Vibration Damper - 5" Square Pole (bolt-on mount only)	172538
6BC - 6" Square Base Cover	122563CLR	Vibration Damper - 6" Square Pole (bolt-on mount only)	178361
ER2 - Weatherproof Duplex Receptacle	122566CLR	PMOS120 - 120V Occupancy Sensor	518030CLR <sup>5</sup>
GFI - Ground Fault Circuit Interrupter	122567CLR	PMOS208/240 - 208, 240V Occupancy Sensor	534239CLR <sup>5</sup>
MH5 - mounting Hole Plugs for use with 5" traditional drill pattern (1 set of 3 plugs)	132336	PMOS277 - 277V Occupancy Sensor	518029CLR <sup>5</sup>
MH3 - mounting Hole Plugs for use with 3" reduced drill pattern (1 set of 3 plugs)	681126	PMOS480 - 480V Occupancy Sensor	534240CLR <sup>5</sup>
MH2 - Mounting Hole Plugs for use with 2" reduced drill pattern (1 sets of 3 plugs)	725841		

### FOOTNOTES:

- See Area Light Brackets - 3" Reduced Drill Pattern and Area Light Brackets - 5" Traditional Drill Pattern spec sheets.
- Pole heights will have +/- 1/2" tolerance.
- See Flood Lighting Brackets section for choice of FBO brackets.
- Order PMOS separately. Change "XX" to indicate height and side of pole

location for pole preparation. EX: OS18A indicates preparation is to be 18ft. up from pole base on side A. Optimal distance from ground to sensor is 20ft.

5 - OSXX option required. Not for use with Metal Halide fixtures.

6 - CR selection must indicate required height and side of pole mounting location. Mounting template required at time of order.

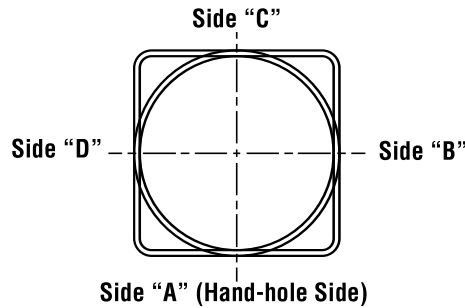




## DRILLING LOCATIONS

[Back to Quick Links](#)

Sides	A	B	C	D
Hand-hole	X			
Single	X			
D180		X		X
D90	X			X
DN90 <sup>1</sup>				
T90	X	X		X
TN120 <sup>2</sup>				
Q90	X	X	X	X
QN90 <sup>3</sup>				
Single FBO	X			
Double FBO		X		X

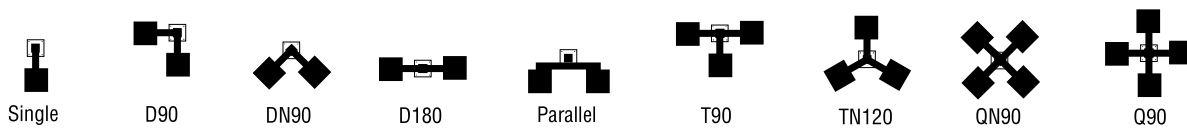


### NOTES:

- 1 - Two locations will be 45° to the left and right of Side A.
- 2 - Other two locations will be 120° to the left and right of Side A.
- 3 - Two locations will be 45° to the left and right of Side A and two locations will be 135° to the left and right of Side A.

Consult factory for custom variations. Standard SF and DF pole preparations are located 3/4 of the height of the pole from the base, except on 20' poles. Maximum height for SF and DF pole preparations on 20' poles is 13' from the base.

## FIXTURE CONFIGURATIONS



## BOLT CIRCLE

4" (102mm) square  
10-1/8" (257mm) sq.



11" (279mm) Dia. Bolt Circle

5" (127mm) square  
10-1/8" (257mm) sq.



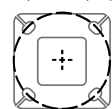
11" (279mm) Dia. Bolt Circle

5" (127mm) square  
10-1/8" (257mm) sq.



11" (279mm) Dia. Bolt Circle

6" (152mm) square  
12" (305mm) sq.



12" (305mm) Dia. Bolt Circle

Bolt Circle Designator	B	C	D	J
Bolt Circle	Slotted 8"-11" (203mm-279mm)	Slotted 9"-11" (229mm-279mm)	Slotted 9"-11" (229mm-279mm)	Slotted 12" (305mm)
Anchor Bolt Size	3/4" x 30" (19mm x 762mm)	3/4" x 30" (19mm x 762mm)	1" x 36" (25mm x 914mm)	1" x 36" (25mm x 914mm)
Anchor Bolt Projection	3-1/4" (83mm)	3-1/4" (83mm)	4" (102mm)	4" (102mm)
Base Plate Opening for Wireway Entry	3-5/8" (92mm)	4-3/4" (121mm)	4-5/8" (117mm)	5-5/8" (143mm)
Base Plate Dimensions	10-1/8" sq. x 3/4" thk. (257mm x 19mm)	10-1/8" sq. x 3/4" thk. (257mm x 19mm)	10-1/8" sq. x 1" thk. (257mm x 25mm)	12" sq. x 1-1/8" thk. (305mm x 29mm)
Pole Gauge	11	11	7	7

Note: Base plate illustrations may change without notice. Do not use for setting anchor bolts. Consult factory for the appropriate anchor bolt template.

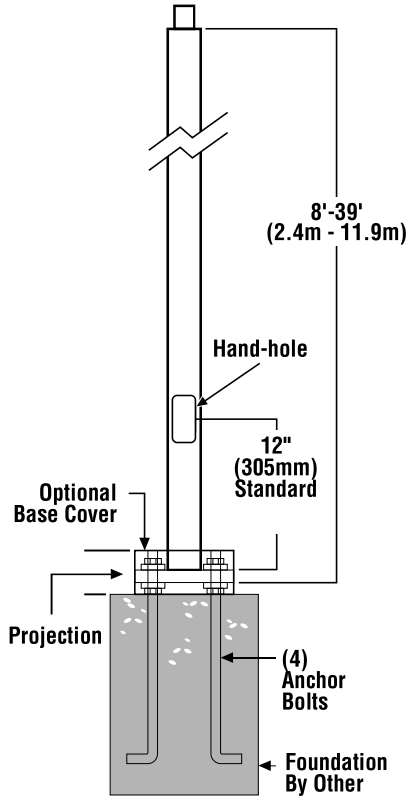




## PRODUCT DIMENSIONS

[Back to Quick Links](#)

**SQT -**  
**N= 2-3/8" (60mm) O.D. x 4-3/4" (121mm) Tenon**

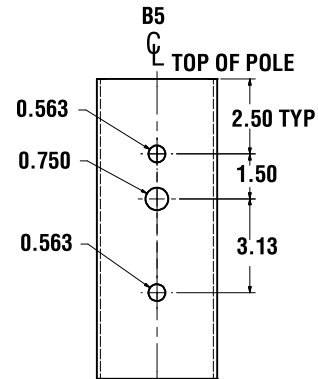
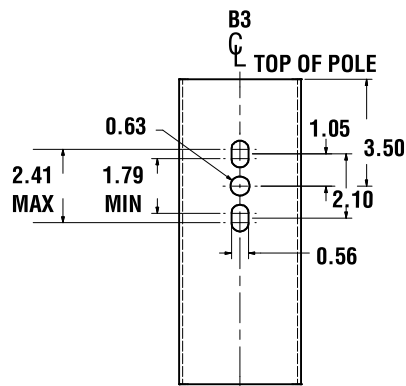
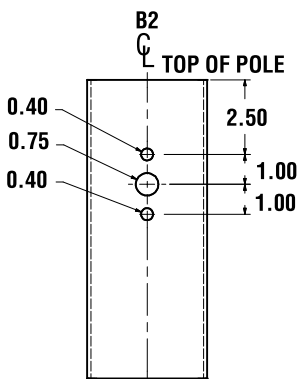


**SF -**  
**Single Flood  
 Pole Preparation**



SHIPPING WEIGHTS	
4"(102mm) sq. 11 Ga. is approximately	7.50 lbs./ft.
4"(102mm) sq. 07 Ga. is approximately	10.00 lbs./ft.
5"(127mm) sq. 11 Ga. is approximately	9.00 lbs./ft.
5"(127mm) sq. 07 Ga. is approximately	12.50 lbs./ft.
6"(152mm) sq. 07 Ga. is approximately	15.40 lbs./ft.
Anchor Bolts (3/4" x 30")(19mm x 762mm)	15 lbs. (7kg)/set
Anchor Bolts (1" x 36")(25mm x 914mm)	30 lbs. (14kg)/set

### Bolt-On Mount 2-Bolt Pattern





## WIND SPEED

[Back to Quick Links](#)

### EPA Information

All LSI Industries' poles are guaranteed to meet the EPA requirements listed. LSI Industries is not responsible if a pole order has a lower EPA rating than the indicated wind-loading zone where the pole will be located.

**CAUTION:** This guarantee does not apply if the pole/bracket/fixture combination is used to support any other items such as flags, pennants, or signs, which would add stress to the pole. LSI Industries cannot accept responsibility for harm or damage caused in these situations.

**NOTE:** Pole calculations include a 1.3 gust factor over steady wind velocity. Example: poles designed to withstand 80 MPH steady wind will withstand gusts to 104 MPH. EPAs are for locations 100 miles away from hurricane ocean lines. Consult LSI for other areas. Note: Hurricane ocean lines are the Atlantic and Gulf of Mexico coastal areas. For applications in Florida or Canada, consult factory.

### Use ONLY with "Wind Speed Map for ASCE 7-10

POLE <sup>1</sup>	Mtg. Height Length (ft)	Wall Thick (ga)	BOLT CIRCLE			EPA								
			Designator	Dia. (in)	Anchor bolt Dia (in)	110 MPH	115 MPH	120 MPH	130 MPH	140 MPH	150 MPH	160 MPH	170 MPH	180 MPH
4" x 11-ga x 12'	12	11	B	8" - 11"	0.75	13.9	12.5	11.3	9.2	7.6	6.3	5.2	4.3	3.6
4" x 11-ga x 14'	14	11	B	8" - 11"	0.75	10.7	9.5	8.5	6.8	5.4	4.4	3.5	2.7	2.1
4" x 11-ga x 16'	16	11	B	8" - 11"	0.75	8.2	7.2	6.4	4.9	3.8	2.9	2.1	1.5	1.0
4" x 11-ga x 18'	18	11	B	8" - 11"	0.75	6.3	5.4	4.7	3.4	2.4	1.6	1.0	0.4	n/a
4" x 11-ga x 20'	20	11	B	8" - 11"	0.75	4.6	3.9	3.2	2.1	1.2	0.6	n/a	n/a	n/a
4" x 11-ga x 22'	22	11	B	8" - 11"	0.75	7.6	6.6	5.7	4.2	3.0	2.0	1.2	0.5	n/a
4" x 11-ga x 24'	24	11	B	8" - 11"	0.75	6.0	5.1	4.3	2.9	1.8	0.9	n/a	n/a	n/a
4" x 11-ga x 26'	26	11	B	8" - 11"	0.75	4.6	3.7	3.0	1.7	0.7	n/a	n/a	n/a	n/a
4" x 7-ga x 14'	14	7	B	8" - 11"	0.75	18.3	16.4	14.9	12.2	10.2	8.5	7.1	5.9	5.0
4" x 7-ga x 16'	16	7	B	8" - 11"	0.75	14.7	13.2	11.8	9.6	7.8	6.3	5.2	4.2	3.4
4" x 7-ga x 18'	18	7	B	8" - 11"	0.75	11.9	10.5	9.3	7.4	5.9	4.6	3.6	2.8	2.1
4" x 7-ga x 20'	20	7	B	8" - 11"	0.75	9.6	8.4	7.4	5.7	4.3	3.2	2.3	1.6	0.9
4" x 7-ga x 22'	22	7	B	8" - 11"	0.75	7.7	6.6	5.7	4.2	3.0	2.0	1.2	0.5	n/a
4" x 7-ga x 24'	24	7	B	8" - 11"	0.75	6.0	5.1	4.3	2.9	1.8	0.9	n/a	n/a	n/a
4" x 7-ga x 26'	26	7	B	8" - 11"	0.75	4.6	3.7	3.0	1.7	0.7	n/a	n/a	n/a	n/a
4" x 7-ga x 28 <sup>2</sup>	28	7	B	8" - 11"	0.75	3.3	2.5	1.8	0.7	n/a	n/a	n/a	n/a	n/a
4" x 7-ga x 30 <sup>2</sup>	30	7	B	8" - 11"	0.75	2.2	1.4	0.8	n/a	n/a	n/a	n/a	n/a	n/a
5" x 11-ga x 14'	14	11	C	9" - 11"	0.75	17.4	15.7	14.1	11.5	9.3	7.7	6.3	5.2	4.2
5" x 11-ga x 16'	16	11	C	9" - 11"	0.75	13.8	12.3	10.9	8.7	6.9	5.5	4.3	3.3	2.5
5" x 11-ga x 18'	18	11	C	9" - 11"	0.75	10.8	9.6	8.4	6.5	4.9	3.7	2.6	1.8	1.1
5" x 11-ga x 20'	20	11	C	9" - 11"	0.75	8.5	7.3	6.3	4.6	3.2	2.1	1.2	0.5	n/a
5" x 11-ga x 22'	22	11	C	9" - 11"	0.75	10.9	9.5	8.3	6.2	4.5	3.2	2.1	1.2	0.5
5" x 11-ga x 24'	24	11	C	9" - 11"	0.75	8.8	7.5	6.4	4.5	3.0	1.8	0.8	n/a	n/a
5" x 11-ga x 26'	26	11	C	9" - 11"	0.75	6.8	5.7	4.6	3.0	1.6	0.6	n/a	n/a	n/a
5" x 11-ga x 28'	28	11	C	9" - 11"	0.75	5.2	4.1	3.2	1.6	0.4	n/a	n/a	n/a	n/a
5" x 11-ga x 30'	30	11	C	9" - 11"	0.75	3.6	2.7	1.8	0.4	n/a	n/a	n/a	n/a	n/a
5" x 7-ga x 20'	20	7	D	9" - 11"	1.00	21.6	19.3	17.3	14.0	11.3	9.2	7.4	6.0	4.8
5" x 7-ga x 22'	22	7	D	9" - 11"	1.00	20.7	18.6	16.6	13.3	10.7	8.5	6.8	5.4	4.2
5" x 7-ga x 24'	24	7	D	9" - 11"	1.00	17.7	15.6	13.8	10.8	8.5	6.6	5.0	3.7	2.6
5" x 7-ga x 26'	26	7	D	9" - 11"	1.00	14.9	13.1	11.4	8.8	6.6	4.9	3.5	2.3	1.3
5" x 7-ga x 28'	28	7	D	9" - 11"	1.00	12.5	10.9	9.4	6.9	4.9	3.4	2.1	1.0	n/a
5" x 7-ga x 30'	30	7	D	9" - 11"	1.00	10.3	8.9	7.5	5.2	3.4	2.0	0.8	n/a	n/a
5" x 7-ga x 35'	35	7	D	9" - 11"	1.00	6.0	4.8	3.6	1.8	n/a	n/a	n/a	n/a	n/a
6" x 7-ga x 24'	24	7	J	12"	1.00	18.6	16.4	14.3	11.2	8.6	6.5	4.8	3.4	2.2
6" x 7-ga x 26'	26	7	J	12"	1.00	15.6	13.4	11.7	8.8	6.5	4.6	3.0	1.8	0.7
6" x 7-ga x 28'	28	7	J	12"	1.00	12.9	10.9	9.3	6.7	4.6	2.8	1.5	n/a	n/a
6" x 7-ga x 30'	30	7	J	12"	1.00	10.4	8.8	7.3	4.8	2.9	1.3	n/a	n/a	n/a
6" x 7-ga x 32'	32	7	J	12"	1.00	8.3	6.8	5.5	3.1	1.3	n/a	n/a	n/a	n/a
6" x 7-ga x 34'	34	7	J	12"	1.00	6.5	5.0	3.7	1.6	n/a	n/a	n/a	n/a	n/a
6" x 7-ga x 35'	35	7	J	12"	1.00	5.5	4.2	2.9	0.9	n/a	n/a	n/a	n/a	n/a
6" x 7-ga x 39'	39	7	J	12"	1.00	2.3	1.0	n/a	n/a	n/a	n/a	n/a	n/a	n/a

All LSI Industries' poles are guaranteed to meet the EPA requirements listed. LSI Industries is not responsible if a pole order has a lower EPA rating than the indicated wind-loading zone where the pole will be located.

**CAUTION:** This guarantee does not apply if the pole/bracket/fixture combination is used to support any other items such as flags, pennants, or signs, which would add stress to the pole. LSI Industries cannot accept responsibility for harm or damage caused in these situations.

### Note:

- 1- Poles shorter than these listed here in for each gauge have EPA rating equal to or greater than what is provided in this table. To Confirm EPA ratings on shorter poles, contact LSI Industries.
- 2- LSI Industries recommends a vibration damper be ordered with this length.

