

**LIGHTING EQUIPMENT SCHEDULE**

June 14, 2019

**GENERAL NOTES:**

- The fixtures included herein constitute the avid® hotels basis-of-design for architectural lighting. Cutsheets for all included fixtures immediately follow the fixture schedule. All owner substitutions of non-mandated fixtures should approximate the size, configuration, lighting output, finish, color temperature & CRI of the fixtures included here. It is strongly recommended to submit all deviations to IHG for review prior to purchase and installation.
- Please refer to FF&E Specifications for information on decorative light fixtures (indicated as "DF" on prototype drawings) and guest corridor light fixtures.

<u>Type</u>	<u>Description</u>	<u>Manufacturer No.</u>	<u>Lamp</u>	<u>Voltage</u>
A	<b>LED Troffer</b> 2'x2' Recessed For Lay-in Ceiling	EATON / Metalux – LED Recessed Troffer 22GR-LD5-32-F1-UNV-L840-CD1	LED 29.9W, 4000K 3268 Delivered Lumens 80+ CRI	120- 277VAC
B	<b>Lensed LED Striplight</b> 4'-0" Length Surface-mount Utility Light	EATON / Metalux – SNLED Lensed LED Striplight 4SNLED-LD4-26SL-LN-UNV- L840-CD1	LED 22W, 4000K 2680 Delivered Lumens 85+ CRI	120- 277VAC
BD1	<b>Site Lighting</b> Led Parking Lot Light Fixture Brown Bronze Finish Square Pole Adapter Included	DECORS – LED Street Light Luminaire DU2R1056-A2S-BRN-CW	64 LED 144W, 5000K 19,600 Delivered Lumens 75+ CRI ANSI TYPE II S	120- 277VAC
<b>Note 1: Parking Lot lighting is based on 1-FC across the whole site at 30ft. Pole height can be adjusted to meet local codes, it is the responsibility of the architect to achieve 1-FC across whole site.</b>				
<b>Note 2: Pole to be provided by GC.</b>				
BD2	<b>Site Lighting</b> Led Parking Lot Light Fixture Brown Bronze Finish Universal Pole Adapter Included 13' Pole with Two (2) heads on each Pole to be used at the Outdoor Pool Area.	DECORS – LED Street Light Luminaire DU2R1028-A2S-BRN-CW	32 LED 75W, 5000K 10,125 Delivered Lumens 75+ CRI ANSI TYPE II S	120- 277VAC
<b>Note 1: Outdoor Pool Area to use (2) Two 13' Poles with Two (2) heads on each pole which will utilize two 75 W Pole Light Fixtures on each pole.</b>				
<b>Note 2: All Poles to be provided by GC.</b>				
D1	<b>Recessed LED Downlight</b> 4" Round Aperture Silver Reflector, White Flange 0-10V Dimming to 5%	DMF Lighting F4L-100-DRD2M-10-9-30-A- DRD2T-R-4-S-SW	LED 14.7W, 3000K Flood (approx. 50°) Beam 999 Delivered Lumens 93+ CRI	120

**LIGHTING EQUIPMENT SCHEDULE**

June 14, 2019

**GENERAL NOTES:**

- The fixtures included herein constitute the avid® hotels basis-of-design for architectural lighting. Cutsheets for all included fixtures immediately follow the fixture schedule. All owner substitutions of non-mandated fixtures should approximate the size, configuration, lighting output, finish, color temperature & CRI of the fixtures included here. It is strongly recommended to submit all deviations to IHG for review prior to purchase and installation.
- Please refer to FF&E Specifications for information on decorative light fixtures (indicated as "DF" on prototype drawings) and guest corridor light fixtures.

<u>Type</u>	<u>Description</u>	<u>Manufacturer No.</u>	<u>Lamp</u>	<u>Voltage</u>
D2	<b>Recessed LED Downlight</b> 6" Round Aperture Silver Reflector, White Flange 0-10V Dimming to 1%	DMF Lighting F6L-X*-200-DCD1M-20-9-30- DRD2T-R-6-S-SW  *X = Fire rating to be determined based on requirements of project.	LED 29W, 3000K Flood (approx. 50°) Beam 2001 Delivered Lumens 90+ CRI	120
D4	<b>Recessed LED Downlight</b> 4" Round Aperture Silver Reflector, White Flange 0-10V Dimming to 5%	DMF Lighting F4L-X*-100-DRD2M-10-9-30-A- DRD2T-R-4-S-SW  *X = Fire rating to be determined based on requirements of project.	LED 14.7W, 3000K Flood (approx. 50°) Beam 999 Delivered Lumens 93+ CRI	120
D5	<b>Recessed LED Downlight</b> 4" Round Aperture Silver Reflector, White Flange 0-10V Dimming to 5%	DMF Lighting F4L-100-DRD2M-10-9-40-A- DRD2T-R-4-S-SW	LED 14.7W, 4000K Flood (approx. 50°) Beam 999 Delivered Lumens 93+ CRI	120
S2	<b>Wall Surface-Mounted LED Half-Cylinder Downlight</b> 15 7/8" Wide, 8" Tall Bronze Matte Finish	Visa Lighting OW1464-L40K-H-MVOLT-BMAT- TC  *Mount in the "downlight" position	LED 32W, 4000K 2500 Delivered Lumens 80+ CRI	120
S3	<b>Wall Surface-Mounted Linear LED Side/Down Light</b> 2" Wide, 4'-0" Long, 4.25" High Satin Clear Anodized Finish	Lumium Hs2-SMS-4-30K-HO-1V-ND-SC- MF-0-EMB12	LED 10W/FT, 3000K 4720 Delivered Lumens 80+ CRI	120

**LIGHTING EQUIPMENT SCHEDULE**

June 14, 2019

**GENERAL NOTES:**

- The fixtures included herein constitute the avid® hotels basis-of-design for architectural lighting. Cutsheets for all included fixtures immediately follow the fixture schedule. All owner substitutions of non-mandated fixtures should approximate the size, configuration, lighting output, finish, color temperature & CRI of the fixtures included here. It is strongly recommended to submit all deviations to IHG for review prior to purchase and installation.
- Please refer to FF&E Specifications for information on decorative light fixtures (indicated as "DF" on prototype drawings) and guest corridor light fixtures.

<u>Type</u>	<u>Description</u>	<u>Manufacturer No.</u>	<u>Lamp</u>	<u>Voltage</u>
S4.4	<b>Surface-Mounted Exterior Linear LED Fixture</b> 4'-0" Length With Honeycomb Louver IP66 Rated	Ecosense L50-E-X*-06-30-80-MULT-9X59 CBL-3P-L-UNV-01 MNT-L-TRKCLIP-X* LV-L50-HCOMB-X* MP-L50-3H-X*	LED 6W/FT, 4000K 9° x 59° Beam 443 Delivered Lumens/FT 80+ CRI	120
		*X = Length. Contractor to order appropriate lengths to make 4'-0" run.  Contractor to order necessary mounting equipment for lengths ordered. Provide manufacturer's mounting track for ceiling attachment.		
S4.6	<b>Surface-Mounted Exterior Linear LED Fixture</b> 6'-0" Length With Honeycomb Louver IP66 Rated	Ecosense L50-E-X*-06-30-80-MULT-9X59 CBL-3P-L-UNV-01 MNT-L-TRKCLIP-X* LV-L50-HCOMB-X* MP-L50-3H-X*	LED 6W/FT, 4000K 9° x 59° Beam 443 Delivered Lumens/FT 80+ CRI	120
		*X = Length. Contractor to order appropriate lengths to make 6'-0" run.  Contractor to order necessary mounting equipment for lengths ordered. Provide manufacturer's mounting track for ceiling attachment.		

**LIGHTING EQUIPMENT SCHEDULE**

June 14, 2019

**GENERAL NOTES:**

- The fixtures included herein constitute the avid® hotels basis-of-design for architectural lighting. Cutsheets for all included fixtures immediately follow the fixture schedule. All owner substitutions of non-mandated fixtures should approximate the size, configuration, lighting output, finish, color temperature & CRI of the fixtures included here. It is strongly recommended to submit all deviations to IHG for review prior to purchase and installation.
- Please refer to FF&E Specifications for information on decorative light fixtures (indicated as "DF" on prototype drawings) and guest corridor light fixtures.

<u>Type</u>	<u>Description</u>	<u>Manufacturer No.</u>	<u>Lamp</u>	<u>Voltage</u>
S4.8	<b>Wall Surface-Mounted Exterior Linear LED Fixture</b> 8'-0" Length With Honeycomb Louver and 12" Wall Mount Arm IP66 Rated	Ecosense L50-E-X*-06-30-80-MULT-9X59 CBL-3P-L-UNV-01 WMA-L-CA-12-Anodized Aluminum LV-L50-HCOMB-X* MP-L50-3H-X*	LED 6W/FT, 4000K 9° x 59° Beam 443 Delivered Lumens/FT 80+ CRI	120
		*X = Length. Contractor to order appropriate lengths to make 8'-0" run.		
S5	<b>Wall Surface-Mounted Exterior LED Uplight</b> 4" Diameter, 15" Height, 5.25 Depth Finish: Grey White Non-Dimming	Visa Lighting OW2306-L30K-MVOLT-NRW- GW9002  Mount in the "uplight" position	LED 15W, 4000K 23° Beam 900 Delivered Lumens 93 CRI	120
S6	<b>Ground-Mounted Exterior Linear LED Wallwasher</b> 8'-0" Length Bronze Finish	Orgatech Architura Economy Signlighter 1400-8-LH-40-AC-SW-45-BZ-P	LED 8W/FT, 4000K 45° Beam 8400 Delivered Lumens 90+ CRI	120

**Note:** This fixture is to be used for uplighting Stair A ONLY when avid signage is installed on the face of / at the top of stair tower.

SL1      **NOT USED**

**(NOTE: CORRIDOR LIGHT  
FIXTURES HAVE BEEN MOVED  
TO FF&E PUBLIC AREA  
SPECIFICATIONS)**

**LIGHTING EQUIPMENT SCHEDULE**

June 14, 2019

**GENERAL NOTES:**

- The fixtures included herein constitute the avid® hotels basis-of-design for architectural lighting. Cutsheets for all included fixtures immediately follow the fixture schedule. All owner substitutions of non-mandated fixtures should approximate the size, configuration, lighting output, finish, color temperature & CRI of the fixtures included here. It is strongly recommended to submit all deviations to IHG for review prior to purchase and installation.
- Please refer to FF&E Specifications for information on decorative light fixtures (indicated as "DF" on prototype drawings) and guest corridor light fixtures.

<u>Type</u>	<u>Description</u>	<u>Manufacturer No.</u>	<u>Lamp</u>	<u>Voltage</u>
T1	<b>Surface-Mounted One Circuit Track System</b> Black Finish 1 3/8" x 11/16" Reference drawings for track layout; supply current limiting as required per code when applicable.	Juno Trac-Master T-*FT-BK  *Include all feeds, end caps, and joiners required for a complete system. Order appropriate lengths based on drawings.	N/A	120
T2	<b>Surface-Mounted One Circuit Track System</b> White Finish 1 3/8" x 11/16" Reference drawings for track layout; supply current limiting as required per code when applicable.	Juno Trac-Master T-*FT-WH  *Include all feeds, end caps, and joiners required for a complete system. Order appropriate lengths based on drawings.	N/A	120
TF1	<b>LED Track Fixture</b> Black Finish 6 1/2" H x 4 1/4" W TRIAC Dimming	LF Illumination Emily Cylindrical Trackhead TRA24-B-J-19C-92-30-REFLN15-D1-1-BB	LED 19W, 3000K 15° Beam Spread 1583 Delivered Lumens 92 CRI	120
TF2	<b>LED Track Fixture</b> White Finish 6 1/2" H x 4 1/4" W TRIAC Dimming	LF Illumination Emily Cylindrical Trackhead TRA24-B-J-19C-92-30-REFLV60-D1-1-WW	LED 19W, 3000K 60° Beam Spread 1583 Delivered Lumens 92 CRI	120
TT1	<b>Recessed LED 2x2 Fixture</b> 23.7" Square, 1.9" Deep 0-10V Dimming	Beghelli PLX-2-WT30-120-277V-PLX2-RM-GRD	LED 38W, 3000K 4549 Delivered Lumens 80+ CRI	120-277

**LIGHTING EQUIPMENT SCHEDULE**

June 14, 2019

**GENERAL NOTES:**

- The fixtures included herein constitute the avid® hotels basis-of-design for architectural lighting. Cutsheets for all included fixtures immediately follow the fixture schedule. All owner substitutions of non-mandated fixtures should approximate the size, configuration, lighting output, finish, color temperature & CRI of the fixtures included here. It is strongly recommended to submit all deviations to IHG for review prior to purchase and installation.
- Please refer to FF&E Specifications for information on decorative light fixtures (indicated as "DF" on prototype drawings) and guest corridor light fixtures.

<u>Type</u>	<u>Description</u>	<u>Manufacturer No.</u>	<u>Lamp</u>	<u>Voltage</u>
TT2	<b>Recessed LED 2x4 Fixture</b> 23.7" Square, 1.9" Deep 0-10V Dimming	Beghelli PLX-4-WT30-120-277V-PLX4-RM-GRD	LED 38W, 3000K 8249 Delivered Lumens 80+ CRI	120-277
W1	<b>Recessed LED Wallwasher</b> 6" Round Aperture Silver Reflector, White Flange Integrated ELV Dimming to 5%	DMF Lighting F6L-X*-DRD2M-10-9-30-DRD2-T-R-6-W-SW  *X = Fire rating to be determined based on requirements of project.	LED 14.7W, 3000K Flood (approx. 50°) Beam 999 Delivered Lumens 93+ CRI	120

**DESCRIPTION**

GRLED is a recessed lensed troffer series which offers a high quality luminaire designed with the latest solid state lighting and electronic driver technology for optimal performance and energy efficiency. The GRLED is compatible with all of today's popular ceiling systems and is available with a number of shielding options and accessories for application versatility.

The GRLED series features efficiency, quality and performance. The series is an excellent choice for use in a variety of indoor spaces such as offices, schools, residential, hospitals or retail merchandising areas.

**SPECIFICATION FEATURES****Construction**

Rigid housing is die formed of code gauge prime cold rolled steel and features full length die-formed stiffeners and unibody endplate for added strength. Side flanges are hemmed for safe handling. Innovative design provides superior lens brightness, uniformity and visual comfort. Unibody endplates are securely attached with interlocking tabs and screws. Four auxiliary fixture end suspension points provided. Endplates have integral Grid-lock feature for safety and convenience. Drivers and internal components are accessible from below the ceiling and LED modules include plug-in low voltage connectors.

**Controls**

Metalux LED luminaires come standard with 0-10V dimming driver (10% standard, 1% optional).

Options compatible with Eaton's Connected Lighting Systems:

- WaveLinX sensor
- LumaWatt Pro sensor
- SVPD sensor
- DLVP sensor and driver
- Fifth Light DALI driver

Other options include step-dimming and 3rd party drivers. Refer to the Connected Lighting options page and ordering information for more details.

**Electrical**

Long-Life LED system coupled with electrical driver to deliver optimal performance. LED's available in 3000K, 3500K, 4000K or 5000K with a minimum of 80 CRI. TM21 rating up to L88 >60,000 hours. Electronic drivers are cULus recognized and available for 120-277V and 347V applications. Standard dimming is 0-10V to 10% with 1%, step and Fifth Light DALI dimming options available.

**Emergency Battery Pack Option**

Optional 120V-277V integral emergency battery pack is available in 7-watts or 14-watts to meet critical life-safety lighting requirements. The 90-minute batteries provide constant power to the LED system, ensuring code-compliance. A test switch/indicator button can be tested safely from the ground using a laser pointer, while the patented EZ Key prevents accidental discharge of the battery during construction. Emergency/generator transfer options available – see ordering information for details.

**Frame/Optical Shielding**

Die formed, flat steel door with frosted #12 pattern acrylic prismatic lens offering the balance of rigidity and light stability. Primary stocking skus come standard with robust .095 lens with other options available for maximum versatility.

**Compliance**

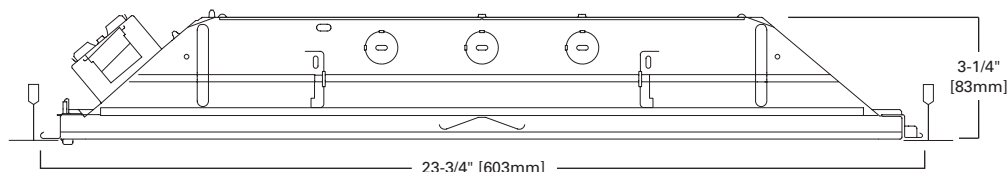
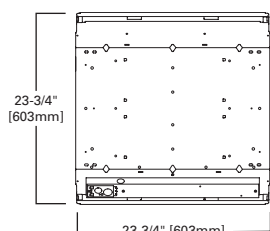
Modules are UL recognized components and indoor luminaires are cULus listed for 25°C ambient environments. Fixtures are suitable for direct insulation contact and are damp location listed. RoHS compliant. LED components comply with IESNA LM-79 and LM-80 standards. DesignLights Consortium® Qualified and classified for both DLC Standard and DLC Premium, refer to www.designlights.org for details.

**22GR  
LED****2' X 2' LED TROFFER**

General Recessed LED Troffer  
For Use in Insulated Ceilings



Connected Systems  
[CLICK HERE](#)

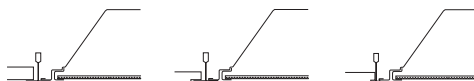
**MOUNTING DATA****DOOR FRAMES**

<b>GC</b> Flat, White Steel Aluminum	<b>GCAFA</b> Flat, Extruded White Aluminum	<b>GCRA</b> Deep, Regressed, Extruded Natural
---	--	---

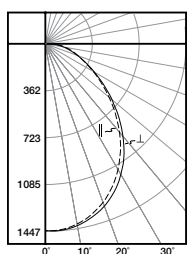
**CEILING COMPATIBILITY**

G	G	G	Ceiling Type	Trim Type
Grid/Lay-in Standard	Concealed T	Slot Grid	Exposed Grid	G
			Concealed T	G
			Slot Grid	G

(Verify compatibility/ consult factory.)

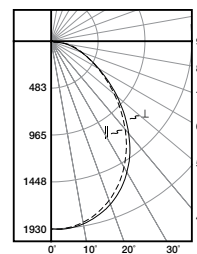


PHOTOMETRICS



**22GR-LD5-32-F1-UNV-L835-CD1-U**  
 Electronic Driver  
 Linear LED 3500K  
 Spacing criterion:  
 (H) 1.14 x mounting  
 height, (L) 1.18 x  
 mounting height  
 Lumens: 3268  
 Input Watts: 29.9W  
 Efficacy: 109.1 lm/W  
 Test Report: 22GR-  
 LD5-32-F1-UNV-  
 L835-CD1-U.IES

Candlepower			
Angle	Along H	45°	Across L
0	1443	1443	1443
5	1435	1432	1441
10	1404	1405	1418
15	1354	1359	1375
20	1288	1296	1318
25	1200	1296	1318
30	1097	1113	1141
35	983	998	1030
40	858	872	899
45	731	745	768
50	604	615	637
55	490	494	509
60	388	385	399
65	301	293	305
70	237	220	228
75	181	163	165
80	130	112	113
85	72	60	59.2
90	0	0	0



**22GR-LD5-43-F1-UNV-L835-CD1-U**  
 Electronic Driver  
 Linear LED 3500K  
 Spacing criterion:  
 (H) 1.14 x mounting  
 height, (L) 1.18 x  
 mounting height  
 Lumens: 4360  
 Input Watts: 40.1W  
 Efficacy: 108.7 lm/W  
 Test Report:  
 22GR-LD5-43-F1-  
 UNV-L835-CD1-U.  
 IES

Candlepower			
Angle	Along H	45°	Across L
0	1965	1965	1965
5	1915	1910	1923
10	1873	1875	1892
15	1806	1813	1835
20	1718	1729	1759
25	1601	1619	1655
30	1463	1485	1522
35	1312	1331	1374
40	1145	1164	1200
45	975	994	1024
50	806	821	850
55	654	659	679
60	517	513	532
65	402	391	407
70	316	293	304
75	242	217	220
80	173	149	151
85	96	80	79
90	0	0	0

Coefficients of Utilization

rc	Effective floor cavity reflectance																							
	80%				70%				50%				30%				10%				0%			
	70	50	30	10	70	50	30	10	50	30	10	50	30	10	50	30	10	50	30	10	50	30	10	0
0	119	119	119	119	116	116	116	116	111	111	111	106	106	106	102	102	102	100	100	100	100	100	100	100
1	109	105	101	97	107	103	99	96	98	95	93	95	92	90	91	89	87	85	85	85	85	85	85	85
2	100	93	86	81	98	91	85	80	87	82	78	84	80	76	81	78	74	72	72	72	72	72	72	72
3	92	82	74	68	90	81	73	68	78	72	67	75	70	65	72	68	64	62	62	62	62	62	62	62
4	85	73	65	59	83	72	64	58	70	63	58	67	62	57	65	60	56	54	54	54	54	54	54	54
5	78	66	58	51	76	65	57	51	63	56	51	61	55	50	59	54	49	47	47	47	47	47	47	47
6	73	60	51	45	71	59	51	45	57	50	45	56	49	44	54	48	44	42	42	42	42	42	42	42
7	68	55	46	40	66	54	46	40	52	45	40	51	45	40	50	44	39	38	38	38	38	38	38	38
8	63	50	42	36	62	49	42	36	48	41	36	47	41	36	46	40	36	34	34	34	34	34	34	34
9	59	46	38	33	58	46	38	33	45	38	33	43	37	33	42	37	32	31	31	31	31	31	31	31
10	56	43	35	30	54	42	35	30	41	35	30	40	34	30	40	34	30	28	28	28	28	28	28	28

Coefficients of Utilization

rc	Effective floor cavity reflectance																							
	80%				70%				50%				30%				10%				0%			
	70	50	30	10	70	50	30	10	50	30	10	50	30	10	50	30	10	50	30	10	50	30	10	0
0	119	119	119	119	116	116	116	116	111	111	111	106	106	106	102	102	102	100	100	100	100	100	100	100
1	109	105	101	97	107	103	99	96	98	95	93	95	92	90	91	89	87	85	85	85	85	85	85	85
2	100	93	86	81	98	91	85	80	87	82	78	84	80	76	81	78	74	72	72	72	72	72	72	72
3	92	82	74	68	90	81	73	68	78	72	67	75	70	65	72	68	64	62	62	62	62	62	62	62
4	85	73	65	59	83	72	64	58	70	63	58	67	62	57	65	60	56	54	54	54	54	54	54	54
5	78	66	58	51	76	65	57	51	63	56	51	61	55	50	59	54	49	47	47	47	47	47	47	47
6	73	60	51	45	71	59	51	45	57	50	45	56	49	44	54	48	44	42	42	42	42	42	42	42
7	68	55	46	40	66	54	46	40	52	45	40	51	45	40	50	44	39	38	38	38	38	38	38	38
8	63	50	42	36	62	49	42	36	48	41	36	47	41	36	46	40	36	34	34	34	34	34	34	34
9	59	46	38	33	58	46	38	33	45	38	33	43	37	33	42	37	32	31	31	31	31	31	31	31
10	56	43	35	30	54	42	35	30	41	35	30	40	34	30	40	34	30	28	28	28	28	28	28	28

Zonal Lumen Summary

Zone	Lumens	% Fixture
0-30	1079	33.0
0-40	1704	52.1
0-60	2724	83.4
0-90	3268	100.0
0-180	3268	100.0

Luminance Data

Angle in Deg	Average 0-Deg cd/sm	Average 45-Deg cd/sm	Average 90-Deg cd/sm
45	3310	3374	3476
55	2737	2758	2841
65	2283	2221	2312
75	2245	2012	2040
85	2646	2205	2175

Zonal Lumen Summary

Zone	Lumens	% Fixture
0-30	1439	33.0
0-40	2273	52.1
0-60	3634	83.4
0-90	4360	100.0
0-180	4360	100.0

Luminance Data

Angle in Deg	Average 0-Deg cd/sm	Average 45-Deg cd/sm	Average 90-Deg cd/sm
45	4416	4502	4638
55	3652	3679	3791
65	3046	2963	3084
75	2994	2685	2722
85	3527	2940	2903

ENERGY AND PERFORMANCE DATA BY CATALOG NUMBER

Stock or MTO*	Catalog Logic	Delivered Lumens	Watts	Efficacy (LPW)
MTO	22GR-LD5-20-F1-UNV-L835-CD1-U	2068	16.1	128
Stock	22GR-LD5-24-F1-UNV-L835-CD1-U	2459	19.2	128
MTO	22GR-LD5-28-F1-UNV-L835-CD1-U	2898	22.9	126
Stock	22GR-LD5-32-F1-UNV-L835-CD1-U	3268	29.9	109
MTO	22GR-LD5-36-F1-UNV-L835-CD1-U	3642	34.5	105
MTO	22GR-LD5-40-F1-UNV-L835-CD1-U	4098	38.8	106
Stock	22GR-LD5-43-F1-UNV-L835-CD1-U	4360	40.1	109
MTO	22GR-LD5-50-F1-UNV-L835-CD1-U	4929	40.4	122
MTO	22GR-LD5-60-F1-UNV-L835-CD1-U	5931	49.6	120
MTO	22GR-LD5-70-F1-UNV-L835-CD1-U	6991	64.2	109
MTO	22GR-LD5-85-F1-UNV-L835-CD1-U	8554	81.1	106
MTO	22GR-LD5-90-F1-UNV-L835-CD1-U	8991	86.0	105

\*Stocked in 3500K and 4000K others are MTO.

LENS TABLE

Approximate Lumen Multiplier	
F1	1.0
F125	1.0
A125	1.01
A	1.01
A19/156	.975
FGW080	.85

CCT TABLE

Approximate Color Temperature Multiplier	
5000K	1.016
4000K	1.016
3500K	1.0
3000K	.982
2700K	.930

ORDERING INFORMATION

SAMPLE NUMBER: 22GR-LD5-27-F1-UNV-L835-CD1-U

<p><b>Rating</b> [Blank]= Standard ATW-SW4= Chicago Rated</p> <p><b>Width / Length</b> 22=2' x 2'</p> <p><b>Trim Type</b> G=Grid/Lay-in (Standard) (1) G=Concealed T G=Slot Grid</p> <p><b>Series</b> (11) R=General Purpose Troffer</p> <p><b>Door Frame</b> Standard=Flat White Steel Door (Leave Blank) FA=Flush White Extruded Aluminum c/w Spring Latch RA=Regressed White Extruded Aluminum FAN=Flush Natural Anodized Extruded Aluminum FAN=Regressed Natural Anodized Extruded Aluminum FAB=Flush Black Extruded Aluminum RAB=Regressed Black Extruded Aluminum A/WG=Prismatic Acrylic Lens, Wireguard &amp; Doorframe F1/WG=Frosted Prismatic Acrylic Lens, Wireguard &amp; Doorframe</p>	<p><b>LED Type</b> LD5=LED 5.0</p> <p><b>LED Lumen Output</b> (9) 20=2000 50=5000 24=2400 60=6000 28=2800 70=7000 32=3200 85=8500 36=3600 90=9000 40=4000 43=4300</p> <p><b>Shielding</b> F1=A12 .095 HP (Standard) F125=A12 .125 HP A=A12 .095 A125=A12 .125 A19/156=#19 Pattern Acrylic (.156" Thick) FGW080=Frosted Glazed Lens .080</p>	<p><b>Voltage</b> (2) 347V=347 Volt (12), (13) UNV=Universal Voltage 120-277 (3) 48V=48 Volt Low-voltage (Class 2)</p> <p><b>Options</b> GL=Single Element Fuse GM=Double Element Fuse</p> <p><b>Emergency</b> EL7W=7-watt, 120V-277V emergency battery pack installed (4) EL14W=14-watt 120V-277V emergency battery pack installed (4) ELV7W=7-watt, DLVP-compatible low voltage emergency battery pack installed (4) ELV14W=14-watt DLVP-compatible low voltage emergency battery pack installed (4) GTR2=Bodine Generator Transfer Relay (8) ETRD=Iota Emergency Transfer Relay with dimming control (8)</p> <p><b>CCT</b> L830=3000K L835=3500K L840=4000K L850=5000K</p> <p><b>Flex</b> A3/8-4/18GDIM=3/8" Flex with 0-10V Dimming Leads Multiple other configurations available. See below for details.</p>	<p><b>Driver Type</b> CD=0-10V Dimming Driver (10%-100% Dimming) HCD=0-10V Dimming Driver (1%-100% Dimming) SR=Sensor-ready Dimming Driver for LWIPD1 option (1%-100% Dimming) (10), (8) 5LTD=Fifth Light DALI Driver (10%-100% Dimming) (7), (8) 5LTHD=Fifth Light Dimming Driver (1%-100% Dimming) (8) LV1=DLVP Dimming Driver (0%-100% Dimming) (8) SD=Step Dimming Driver (50% or 100% Dimming) (7) LH=Lutron HiLume (LDE1 series) 1%-100% EcoSystem Driver with Soft-on Fade to Black dimming (7) L5=Lutron 5 Series (LDE5-Series) 5%-100% EcoSystem Driver (7) LU=Lutron HiLume (L3D series) 1%-100% EcoSystem/3-wire Driver (7)</p>	<p><b>Number of Drivers</b> 1=1 Driver 2=2 Drivers</p> <p><b>Options</b> PAF=Painted After Fabrication G1=Gasket, Door Frame and Housing G2=G1 plus Gasket between Lens and Door G3=G1 and G2 plus Gasketing on Mounting Surface of Fixture Trims (9), (8)</p>
--	---	---	--	--

\*WHERE EMERGENCY LIGHTING IS  
REQUIRED.  
EMERGENCY LIGHTING COVERAGES  
TO BE DESIGNED BY IMPLEMENTATION  
ARCHITECT/ENGINEER TO MEET  
LOCAL REQUIREMENTS AND IHG  
BRAND SAFETY STANDARDS.

**Integrated Sensing Systems**  
SWPD1=WaveLinX Wireless Integrated Sensor (A)  
LWIPD1=LumaWatt Pro Wireless Integrated Sensor (8)  
LWTPD1=LumaWatt Pro Wireless Tile-mount Sensor (8)  
SLVPD1=DLVP Low-voltage Integrated Sensor (8)  
SVPD1=0-10V Stand-alone Integrated Sensor (8)

**Packaging**  
U=Unit Pack  
PAL=Job Pack, out of carton  
PALC=Job Pack, in carton

**ACCESSORIES**

EQ-CLIP-U=T-BAR Safety Earthquake Clips (1)  
DF-22-W=2' x 2' Drywall Frame Kit  
ISHH-01=Programming Remote for Integrated Sensor (8)  
ISHH-02=Personal Control Remote for Integrated Sensor (8)



NOTES: (1) An EQ Grid Clip is recommended for all 9/16" ceiling systems. (2) Products also available in non-US voltages and frequencies for international markets. (3) Not available when specifying emergencies, voltage must be specific. (4) With integral test switch/indicator/laser test. For approximate delivered lumens multiply the lumens per watt of the desired fixture by the wattage of the emergency battery pack (100 lm/W x 7=700 lumens). IES-format photometry for luminaire under emergency operation available. (5) Gasketing only available with aluminum door frame. (6) Gasketing minimum .125. (7) Step-Dim (Bi-Level) and Fifth Light (DALI) only available for 3600 lumen and up. Requires two drivers for 8500 lumens and up. (8) Used to bypass local control during outage. Must be used in conjunction with UL 1008 device (provided by others). GTR2 option includes 2 relays on fixtures with dimming drivers. ETRD option only requires one relay when used on a dimming fixture. Must specify voltage as 120V or 277V when ordering these devices. (9) Nominal lumen output. See table for actual values. (10) SR driver required for LWIPD1 only. PDR required for 8500 lumens and up. (11) DesignLights Consortium® Qualified and classified for both DLC Standard and DLC Premium, refer to www.designlights.org for details. (12) Requires 2 drivers for 7000 lumens and up. (13) 347V versions are not available with emergency options. SD, 5LTD, and SR drivers with 347V are available but not DLC qualified.

**Integrated Sensing and Control System Options**

NOTES: Integrated options must be used in conjunction with the associated system and may not be compatible with other options or accessories. Please refer to the following: (A) Consult WaveLinX system pages for additional details and compatibility. (8) Consult LumaWatt Pro system pages for additional details and compatibility. (9) Consult DLVP system pages for additional details and compatibility. (10) Consult SVPD series system pages for additional details and compatibility. (12) Consult Fifth Light system pages for additional details and compatibility. (13) Consult Marketplace Options - Lutron system pages for additional details and compatibility. Compatible only with driver series shown, and may require two or more drivers. Requires field commissioning to operate or dim. Contact Lutron at www.lutron.com.

**Flexible Metal Conduit Options**

Flex options available for 0-10V dimming control, DALI dimming control, emergency and night light functions. 72-inch factory-installed and pre-wired to driver, fitted to luminaire housing access plate with 90° enclosed FMC connector. Not all options may be combined and installation ratings vary by type.  
A3/8-4/18GDIM series notes: Factory installed dimming option 3/8" flexible metal conduit with 2-#18 power and ground wires and 2-#18 UL-listed jacketed 0-10V +/- control wires. Meets UL 66, 83, 1479, 1569, 1581, 2556. NEC® 250.118, 300.22(C), 392, 396, 330, 501, 502, 503, 530, 504, 505, 518, 520, 530, 645, 72; Federal Specification A-A-59544 (formerly J-C-30B); all applicable OSHA and HUD Requirements. UL Classified 1-, 2-, and 3-hour through penetration with applicable fire stop product (not included). May be surface mounted, fished and/or embedded in plaster. Cable tray and approved raceway rated, install per NEC®; Environmental Air-Handling Space Installation per NEC® 300.22(C).

Specifications & dimensions subject to change without notice. Consult your Eaton Representative for availability and ordering information.

**SHIPPING DATA**

<b>Catalog No.</b>	<b>Wt.</b>	<b>Pallet</b>
22GR-LD5-32	10 lbs.	56

**DESCRIPTION**

SNLED Lensed is a narrow LED lensed striplight series. This high quality luminaire is dedicated to the latest solid state lighting and electronic driver technology for optimal performance and energy efficiency. This Lensed product is available with three different lens types.

The small size of the SNLED makes it an ideal choice for size restricted architectural applications. The SNLED Series can be the illumination solution in commercial, industrial, retail and residential applications. Fixtures can be used in storage/utility areas, coves, display cases, shops, task and general area lighting.

**SPECIFICATION FEATURES****Construction**

Channel is die formed cold rolled steel with numerous KOs for ease of installation. Groove for Tong Hanger. End plate quickly converts to snap-in channel connector for continuous row alignment. Channel/wireway cover secured with sheet metal screws.

**Controls**

Equipped standard with a 0-10V continuous dimming driver that works with any standard 0-10V control/dimmer. Dimming range is 10% to 100%; varies by control device. Combine with energy-saving products like occupancy sensors, day lighting controls, and lighting relay panels to maximize energy savings. For motion control, reference options for both end and middle of the row applications.

**Electrical**

Long-Life LED system coupled with electronic (120-277V) driver to deliver optimal lighting performance. LED's available in 3000K, 3500K, 4000K, or 5000K with a CRI  $\geq$  85. Other color temperatures are available. Projected life is 60,000 + hours at 70% lumen output based on TM21. This driver is 0-10V dimming standard.

**Emergency Battery Pack Option**

Optional 120v-277v integral emergency battery pack is

available in 7-watts or 14-watts to meet critical life-safety lighting requirements. The 90-minute batteries provide constant power to the LED system, ensuring code-compliance. A test switch/indicator button can be tested safely from the ground using a laser pointer, while the patented EZ Key prevents accidental discharge of the battery during construction. See ordering information for details.

**Finish**

Multistage iron phosphate pretreatment ensures maximum bonding and rust inhibitor. High reflective paint after fabrication, baked white enamel finish is standard.

**Channel/Wireway Cover**

Die formed heavy gauge steel. Tight fit for ease of maintenance.

Catalog #

Type

Project

Comments

Date

Prepared by

**Shielding**

Offers three different lensed optical distributions. (LC) Clear with linear optical ribs. (LN) Semi-frost for narrow distribution. (LW) Full frost for wide distribution.

**Installation**

Fixture may be surface, pendant, or stem mounted. See accessories below in ordering information.

**Compliance**

Components are UL recognized. Indoor luminaires are cULus listed for 40° C ambient environments, RoHS compliant, damp location listed, and comply with IESNA LM-79. LEDs comply with LM-80 standards. DesignLights Consortium® Qualified. Refer to [www.designlights.org](http://www.designlights.org) Qualified Products List under Family Models for details.

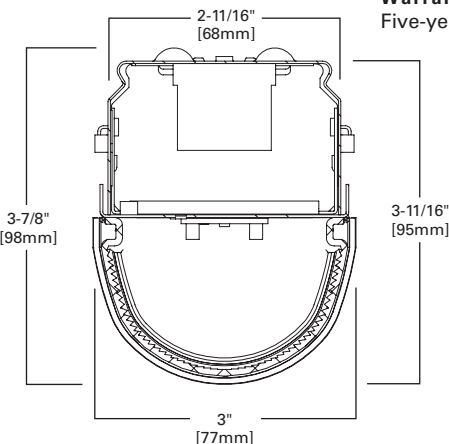
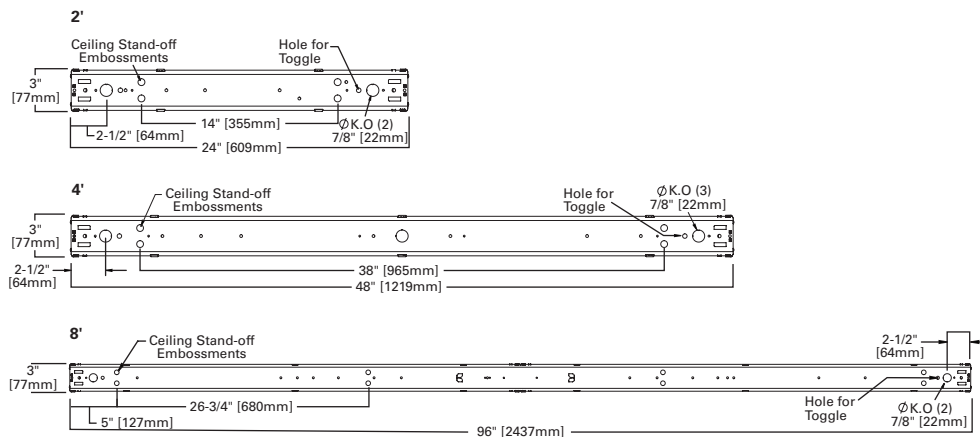
**Warranty**

Five-year warranty.

**SNLED LENSED LED**

Lensed LED Striplight

powered by  
**fifthlight**  
technology

**MOUNTING DATA****LINEAR DISCONNECT**

Safe and convenient means of  
disconnecting power



SNLED Type	Stock* / MTO	Lumen Type	Length	Catalog Logic	Nominal Lumens	Wattage	lm/W
Clear Lens (LC)	MTO	Standard	2 ft.	2SNLED-LD4-18SL-LC-UNV-L8XX-CD1-U	1907	17	105
Clear Lens (LC)	MTO	Standard	2 ft.	2SNLED-LD4-22SL-LC-UNV-L8XX-CD1-U	2325	22	101
Clear Lens (LC)	MTO	Standard	2 ft.	2SNLED-LD4-26SL-LC-UNV-L8XX-CD1-U	2712	23	112

Clear Lens (LC)	MTO	Standard	4 ft.	4SNLED-LD4-18SL-LC-UNV-L8XX-CD1-U	2038	16	111
Clear Lens (LC)	MTO	Standard	4 ft.	4SNLED-LD4-22SL-LC-UNV-L8XX-CD1-U	2301	18	120
Clear Lens (LC)	Stock	Standard	4 ft.	4SNLED-LD4-26SL-LC-UNV-L8XX-CD1-U	2688	22	120
Clear Lens (LC)	Stock	Standard	4 ft.	4SNLED-LD4-30SL-LC-UNV-L8XX-CD1-U	3061	25	120
Clear Lens (LC)	MTO	Standard	4 ft.	4SNLED-LD4-34SL-LC-UNV-L8XX-CD1-U	3431	28	120
Clear Lens (LC)	MTO	Standard	4 ft.	4SNLED-LD4-37SL-LC-UNV-L8XX-CD1-U	3822	32	114
Clear Lens (LC)	MTO	Standard	4 ft.	4SNLED-LD4-41SL-LC-UNV-L8XX-CD1-U	4233	37	112
Clear Lens (LC)	Stock	Standard	4 ft.	4SNLED-LD4-46SL-LC-UNV-L8XX-CD1-U	4615	41	112
Clear Lens (LC)	MTO	Standard	4 ft.	4SNLED-LD4-49SL-LC-UNV-L8XX-CD1-U	4994	46	107
Clear Lens (LC)	MTO	Standard	4 ft.	4SNLED-LD4-52SL-LC-UNV-L8XX-CD1-U	5357	50	104
Clear Lens (LC)	MTO	Standard	4 ft.	4SNLED-LD4-56SL-LC-UNV-L8XX-CD1-U	5714	56	99
Clear Lens (LC)	MTO	High	4 ft.	4SNLED-LD4-60HL-LC-UNV-L8XX-CD1-U	6115	51	118

Clear Lens (LC)	MTO	Standard	8 ft.	8TSNLED-LD4-60SL-LC-UNV-L8XX-CD1-U	6122	50	120
Clear Lens (LC)	MTO	Standard	8 ft.	8TSNLED-LD4-68SL-LC-UNV-L8XX-CD1-U	6863	57	120
Clear Lens (LC)	Stock	Standard	8 ft.	8TSNLED-LD4-75SL-LC-UNV-L8XX-CD1-U	7643	65	116
Clear Lens (LC)	Stock	Standard	8 ft.	8TSNLED-LD4-83SL-LC-UNV-L8XX-CD1-U	8466	73	113
Clear Lens (LC)	MTO	Standard	8 ft.	8TSNLED-LD4-90SL-LC-UNV-L8XX-CD2-U	9230	82	110
Clear Lens (LC)	MTO	Standard	8 ft.	8TSNLED-LD4-98SL-LC-UNV-L8XX-CD2-U	9988	91	107
Clear Lens (LC)	MTO	Standard	8 ft.	8TSNLED-LD4-105SL-LC-UNV-L8XX-CD2-U	10714	100	105
Clear Lens (LC)	MTO	High	8 ft.	8SNLED-LD4-130HL-LC-UNV-L8XX-CD1-U	13000	130	100
Clear Lens (LC)	MTO	High	8 ft.	8SNLED-LD4-170HL-LC-UNV-L8XX-CD1-U	17460	140	125

SNLED Type	Stock* / MTO	Lumen Type	Length	Catalog Logic	Nominal Lumens	Wattage	lm/W
Semi-Frost Lens (LN)	MTO	Standard	2 ft.	2SNLED-LD4-18SL-LN-UNV-L8XX-CD1-U	1901	17	105
Semi-Frost Lens (LN)	MTO	Standard	2 ft.	2SNLED-LD4-22SL-LN-UNV-L8XX-CD1-U	2318	22	101
Semi-Frost Lens (LN)	MTO	Standard	2 ft.	2SNLED-LD4-26SL-LN-UNV-L8XX-CD1-U	2704	23	116
Semi-Frost Lens (LN)	MTO	High	2 ft.	2SNLED-LD4-32HL-LN-UNV-L8XX-CD1-U	3200	32	100

Semi-Frost Lens (LN)	MTO	Standard	4 ft.	4SNLED-LD4-18SL-LN-UNV-L8XX-CD1-U	2032	16	111
Semi-Frost Lens (LN)	MTO	Standard	4 ft.	4SNLED-LD4-22SL-LN-UNV-L8XX-CD1-U	2294	18	120
Semi-Frost Lens (LN)	Stock	Standard	4 ft.	4SNLED-LD4-26SL-LN-UNV-L8XX-CD1-U	2680	22	120
Semi-Frost Lens (LN)	Stock	Standard	4 ft.	4SNLED-LD4-30SL-LN-UNV-L8XX-CD1-U	3052	25	120
Semi-Frost Lens (LN)	MTO	Standard	4 ft.	4SNLED-LD4-34SL-LN-UNV-L8XX-CD1-U	3421	28	120
Semi-Frost Lens (LN)	MTO	Standard	4 ft.	4SNLED-LD4-37SL-LN-UNV-L8XX-CD1-U	3810	32	114
Semi-Frost Lens (LN)	MTO	Standard	4 ft.	4SNLED-LD4-41SL-LN-UNV-L8XX-CD1-U	4220	37	112
Semi-Frost Lens (LN)	Stock	Standard	4 ft.	4SNLED-LD4-46SL-LN-UNV-L8XX-CD1-U	4601	41	112
Semi-Frost Lens (LN)	MTO	Standard	4 ft.	4SNLED-LD4-49SL-LN-UNV-L8XX-CD1-U	4979	46	107
Semi-Frost Lens (LN)	MTO	Standard	4 ft.	4SNLED-LD4-53SL-LN-UNV-L8XX-CD1-U	5341	50	106
Semi-Frost Lens (LN)	MTO	Standard	4 ft.	4SNLED-LD4-56SL-LN-UNV-L8XX-CD1-U	5697	56	99
Semi-Frost Lens (LN)	MTO	High	4 ft.	4SNLED-LD4-60HL-LN-UNV-L8XX-CD1-U	6096	51	118

Semi-Frost Lens (LN)	MTO	Standard	8 ft.	8TSNLED-LD4-60SL-LN-UNV-L8XX-CD1-U	6103	50	120
Semi-Frost Lens (LN)	MTO	Standard	8 ft.	8TSNLED-LD4-68SL-LN-UNV-L8XX-CD1-U	6842	57	120
Semi-Frost Lens (LN)	Stock	Standard	8 ft.	8TSNLED-LD4-75SL-LN-UNV-L8XX-CD1-U	7620	65	116
Semi-Frost Lens (LN)	Stock	Standard	8 ft.	8TSNLED-LD4-83SL-LN-UNV-L8XX-CD1-U	8441	73	113
Semi-Frost Lens (LN)	MTO	Standard	8 ft.	8TSNLED-LD4-91SL-LN-UNV-L8XX-CD2-U	9202	82	111
Semi-Frost Lens (LN)	MTO	Standard	8 ft.	8TSNLED-LD4-98SL-LN-UNV-L8XX-CD2-U	9958	91	107
Semi-Frost Lens (LN)	MTO	Standard	8 ft.	8TSNLED-LD4-106SL-LN-UNV-L8XX-CD2-U	10681	100	106
Semi-Frost Lens (LN)	MTO	High	8 ft.	8TSNLED-LD4-130HL-LN-UNV-L8XX-CD2-U	13000	130	100
Semi-Frost Lens (LN)	MTO	High	8 ft.	8TSNLED-LD4-170HL-LN-UNV-L8XX-CD2-U	17100	140	122

WATTAGE

SNLED Type	Stock* / MTO	Lumen Type	Length	Catalog Logic	Nominal Lumens	Wattage	lm/W
Full Frost Lens (LW)	MTO	Standard	2 ft.	2SNLED-LD4-16SL-LW-UNV-L8XX-CD1-U	1702	17	99
Full Frost Lens (LW)	MTO	Standard	2 ft.	2SNLED-LD4-20SL-LW-UNV-L8XX-CD1-U	2075	22	92
Full Frost Lens (LW)	MTO	Standard	2 ft.	2SNLED-LD4-23SL-LW-UNV-L8XX-CD1-U	2421	23	104
Full Frost Lens (LW)	MTO	Standard	4 ft.	4SNLED-LD4-16SL-LW-UNV-L8XX-CD1-U	1819	16	111
Full Frost Lens (LW)	MTO	Standard	4 ft.	4SNLED-LD4-20SL-LW-UNV-L8XX-CD1-U	2054	18	109
Full Frost Lens (LW)	Stock	Standard	4 ft.	4SNLED-LD4-23SL-LW-UNV-L8XX-CD1-U	2399	22	111
Full Frost Lens (LW)	Stock	Standard	4 ft.	4SNLED-LD4-27SL-LW-UNV-L8XX-CD1-U	2732	25	108
Full Frost Lens (LW)	MTO	Standard	4 ft.	4SNLED-LD4-30SL-LW-UNV-L8XX-CD1-U	3062	28	106
Full Frost Lens (LW)	MTO	Standard	4 ft.	4SNLED-LD4-33SL-LW-UNV-L8XX-CD1-U	3411	32	105
Full Frost Lens (LW)	MTO	Standard	4 ft.	4SNLED-LD4-37SL-LW-UNV-L8XX-CD1-U	3778	37	101
Full Frost Lens (LW)	Stock	Standard	4 ft.	4SNLED-LD4-41SL-LW-UNV-L8XX-CD1-U	4119	41	100
Full Frost Lens (LW)	MTO	Standard	4 ft.	4SNLED-LD4-44SL-LW-UNV-L8XX-CD1-U	4457	46	96
Full Frost Lens (LW)	MTO	Standard	4 ft.	4SNLED-LD4-47SL-LW-UNV-L8XX-CD1-U	4781	50	94
Full Frost Lens (LW)	MTO	Standard	4 ft.	4SNLED-LD4-50SL-LW-UNV-L8XX-CD1-U	5100	56	89
Full Frost Lens (LW)	MTO	High	4 ft.	4SNLED-LD4-54HL-LW-UNV-L8XX-CD1-U	5458	51	106
Full Frost Lens (LW)	MTO	Standard	8 ft.	8TSNLED-LD4-54SL-LW-UNV-L8XX-CD1-U	5464	50	108
Full Frost Lens (LW)	MTO	Standard	8 ft.	8TSNLED-LD4-61SL-LW-UNV-L8XX-CD1-U	6125	57	107
Full Frost Lens (LW)	Stock	Standard	8 ft.	8TSNLED-LD4-67SL-LW-UNV-L8XX-CD1-U	6822	65	104
Full Frost Lens (LW)	Stock	Standard	8 ft.	8TSNLED-LD4-74SL-LW-UNV-L8XX-CD1-U	7556	73	101
Full Frost Lens (LW)	MTO	Standard	8 ft.	8TSNLED-LD4-81SL-LW-UNV-L8XX-CD2-U	8238	82	99
Full Frost Lens (LW)	MTO	Standard	8 ft.	8TSNLED-LD4-88SL-LW-UNV-L8XX-CD2-U	8915	91	96
Full Frost Lens (LW)	MTO	Standard	8 ft.	8TSNLED-LD4-95SL-LW-UNV-L8XX-CD2-U	9562	100	95
Full Frost Lens (LW)	MTO	High	8 ft.	8TSNLED-LD4-110HL-LW-UNV-L8XX-CD2-U	11000	130	84
Full Frost Lens (LW)	MTO	High	8 ft.	8TSNLED-LD4-150HL-LW-UNV-L8XX-CD2-U	15300	140	121

\* Stocked in either 3500K or 4000K

PHOTOMETRICS

See website for IES/photometric files

LUMEN MAINTENANCE

Ambient Temperature	TM-21 Lumen Maintenance (12,000 hours)	Theoretical L70 (Hours)
25°C	92.55%	273,000

Max Ambient temp in compliance with CSA: 40°C

ORDERING INFORMATION

SAMPLE NUMBER: 4SNLED-LD4-46SL-LN-UNV-L835-CD1-U

<p>2=2' Length 4=4' Length 8T=8' Length</p>	<p><b>Optic</b> LC=Clear Lens LN=Semi-Frost Lens - Narrow LW=Full Frost Lens - Wide</p>	<p><b>Driver Type</b> CD=0-10V Dimming Driver (10% - 100% Dimming) HCD=0-10V Dimming Driver (1% - 100% Dimming)<sup>(11)</sup> SD=Step-dim (Bi Level)<sup>(4), (10)</sup> 5LTD=5th Light (DALI) Driver<sup>(4), (6)</sup></p>	<p><b>Packaging</b> U=Unit Pack</p>																																																																															
<p><b>Series</b> SNLED=Commercial LED Striplight<sup>(9)</sup></p>	<p><b>Voltage</b> UNV=Universal Voltage 120-277 347=347V 480=480V<sup>(4)</sup></p>	<p><b>Number of Drivers</b> 1=1 Driver 2=2 Drivers</p>																																																																																
<p><b>Lamp Type</b> LD4=LED 4.0</p>	<p><b>Options</b> <b>Emergency</b> EL7W=7-watt, 120V-277V emergency battery pack installed<sup>(7), (4)</sup> EL14W=14-watt 120V-277V emergency battery pack installed<sup>(7), (4)</sup> GTD2=Bodine Generator Transfer Device<sup>(13)</sup> ETS2=IOTA Emergency Transfer Switch<sup>(13)</sup></p>	<p><b>ACCESSORIES</b> (Order Separately) AYC=Chain/Set=36" Chain Hanger (Use 1 set per fixture) SCF=Fixed Stem Set (Specify Length) SCS=Swivel Stem Set (Specify Length) SCA=Adjustable 48" Stem Set EYE CHAIN SET/3FT=Eye Bolt Chain (Use 1 set per fixture) WG/SNF-2FT=2' Wire Guard WG/SNF-4FT=4' Wire Guard A1B/Spacer-U=Spacer 1-1/2" to 2-1/2" from ceiling (Use 2 per fixture) TOGGLE=Single Toggle No. 2 (Specify Length) Y-TOGGLE=Y Toggle No. 2 (Specify Length)</p>																																																																																
<p><b>LED Lumens Output</b><sup>(2)</sup></p> <table border="1"> <thead> <tr> <th>Stocked Lumens</th> <th>Stocked Lumens</th> <th>Stocked Lumens</th> </tr> <tr> <th>Packages - LC</th> <th>Packages - LN</th> <th>Packages - LW</th> </tr> </thead> <tbody> <tr><td>26SL=2600<sup>(8)</sup></td><td>26SL=2600<sup>(8)</sup></td><td>23SL=2300<sup>(8)</sup></td></tr> <tr><td>30SL=3000</td><td>30SL=3000</td><td>27SL=2700</td></tr> <tr><td>46SL=4600</td><td>32HL=3200</td><td>41SL=4100</td></tr> <tr><td>75SL=7500<sup>(14)</sup></td><td>46SL=4600</td><td>67SL=6700<sup>(14)</sup></td></tr> <tr><td>83SL=8300<sup>(14)</sup></td><td>75SL=7500<sup>(14)</sup></td><td>74SL=7400<sup>(14)</sup></td></tr> <tr><td></td><td>83SL=8300<sup>(14)</sup></td><td></td></tr> <tr> <th>MTO Lumens</th> <th>MTO Lumens</th> <th>MTO Lumens</th> </tr> <tr> <th>Packages - LC</th> <th>Packages - LN</th> <th>Packages - LW</th> </tr> <tr><td>18SL=1800<sup>(8)</sup></td><td>18SL=1800<sup>(8)</sup></td><td>16SL=1600<sup>(8)</sup></td></tr> <tr><td>22SL=2200</td><td>22SL=2200<sup>(8)</sup></td><td>20SL=2000</td></tr> <tr><td>34SL=3400</td><td>22SL=2200<sup>(8)</sup></td><td>30SL=3000</td></tr> <tr><td>37SL=3700</td><td>34SL=3400</td><td>33SL=3300</td></tr> <tr><td>41SL=4100</td><td>37SL=3700</td><td>37SL=3700</td></tr> <tr><td>49SL=4900</td><td>41SL=4100</td><td>44SL=4400</td></tr> <tr><td>52SL=5200</td><td>49SL=4900</td><td>47SL=4700</td></tr> <tr><td>56SL=5600</td><td>53SL=5300</td><td>50SL=5000</td></tr> <tr><td>60SL=6000<sup>(14)</sup></td><td>56SL=5600</td><td>54SL=5400</td></tr> <tr><td>60HL=6000<sup>(1), (14)</sup></td><td>60SL=6000</td><td>54HL=5400<sup>(1), (14)</sup></td></tr> <tr><td>68SL=6800<sup>(14)</sup></td><td>60HL=6000<sup>(1), (14)</sup></td><td>61SL=6100<sup>(14)</sup></td></tr> <tr><td>90SL=9000<sup>(3), (14)</sup></td><td>68SL=6800<sup>(14)</sup></td><td>81SL=8100<sup>(3), (14)</sup></td></tr> <tr><td>98SL=9800<sup>(3), (14)</sup></td><td>91SL=9100<sup>(3), (14)</sup></td><td>88SL=8800<sup>(3), (14)</sup></td></tr> <tr><td>105SL=10,500<sup>(3), (14)</sup></td><td>98SL=9800<sup>(3), (14)</sup></td><td>95SL=9500<sup>(3), (14)</sup></td></tr> <tr><td>130HL=13,000<sup>(3), (12), (14)</sup></td><td>106SL=10,600<sup>(3), (14)</sup></td><td>110HL=11,000<sup>(3), (14)</sup></td></tr> <tr><td>170HL=17,000<sup>(3), (12), (14)</sup></td><td>130HL=13,000<sup>(3), (14)</sup></td><td>150HL=15,300<sup>(3), (14)</sup></td></tr> <tr><td></td><td>170HL=17,000<sup>(3), (14)</sup></td><td></td></tr> </tbody> </table>	Stocked Lumens	Stocked Lumens	Stocked Lumens	Packages - LC	Packages - LN	Packages - LW	26SL=2600 <sup>(8)</sup>	26SL=2600 <sup>(8)</sup>	23SL=2300 <sup>(8)</sup>	30SL=3000	30SL=3000	27SL=2700	46SL=4600	32HL=3200	41SL=4100	75SL=7500 <sup>(14)</sup>	46SL=4600	67SL=6700 <sup>(14)</sup>	83SL=8300 <sup>(14)</sup>	75SL=7500 <sup>(14)</sup>	74SL=7400 <sup>(14)</sup>		83SL=8300 <sup>(14)</sup>		MTO Lumens	MTO Lumens	MTO Lumens	Packages - LC	Packages - LN	Packages - LW	18SL=1800 <sup>(8)</sup>	18SL=1800 <sup>(8)</sup>	16SL=1600 <sup>(8)</sup>	22SL=2200	22SL=2200 <sup>(8)</sup>	20SL=2000	34SL=3400	22SL=2200 <sup>(8)</sup>	30SL=3000	37SL=3700	34SL=3400	33SL=3300	41SL=4100	37SL=3700	37SL=3700	49SL=4900	41SL=4100	44SL=4400	52SL=5200	49SL=4900	47SL=4700	56SL=5600	53SL=5300	50SL=5000	60SL=6000 <sup>(14)</sup>	56SL=5600	54SL=5400	60HL=6000 <sup>(1), (14)</sup>	60SL=6000	54HL=5400 <sup>(1), (14)</sup>	68SL=6800 <sup>(14)</sup>	60HL=6000 <sup>(1), (14)</sup>	61SL=6100 <sup>(14)</sup>	90SL=9000 <sup>(3), (14)</sup>	68SL=6800 <sup>(14)</sup>	81SL=8100 <sup>(3), (14)</sup>	98SL=9800 <sup>(3), (14)</sup>	91SL=9100 <sup>(3), (14)</sup>	88SL=8800 <sup>(3), (14)</sup>	105SL=10,500 <sup>(3), (14)</sup>	98SL=9800 <sup>(3), (14)</sup>	95SL=9500 <sup>(3), (14)</sup>	130HL=13,000 <sup>(3), (12), (14)</sup>	106SL=10,600 <sup>(3), (14)</sup>	110HL=11,000 <sup>(3), (14)</sup>	170HL=17,000 <sup>(3), (12), (14)</sup>	130HL=13,000 <sup>(3), (14)</sup>	150HL=15,300 <sup>(3), (14)</sup>		170HL=17,000 <sup>(3), (14)</sup>		<p><b>"WHERE EMERGENCY LIGHTING IS REQUIRED."</b> <b>EMERGENCY LIGHTING COVERAGES TO BE DESIGNED BY IMPLEMENTATION ARCHITECT/ENGINEER TO MEET LOCAL REQUIREMENTS AND IHG BRAND SAFETY STANDARDS.</b></p>
Stocked Lumens	Stocked Lumens	Stocked Lumens																																																																																
Packages - LC	Packages - LN	Packages - LW																																																																																
26SL=2600 <sup>(8)</sup>	26SL=2600 <sup>(8)</sup>	23SL=2300 <sup>(8)</sup>																																																																																
30SL=3000	30SL=3000	27SL=2700																																																																																
46SL=4600	32HL=3200	41SL=4100																																																																																
75SL=7500 <sup>(14)</sup>	46SL=4600	67SL=6700 <sup>(14)</sup>																																																																																
83SL=8300 <sup>(14)</sup>	75SL=7500 <sup>(14)</sup>	74SL=7400 <sup>(14)</sup>																																																																																
	83SL=8300 <sup>(14)</sup>																																																																																	
MTO Lumens	MTO Lumens	MTO Lumens																																																																																
Packages - LC	Packages - LN	Packages - LW																																																																																
18SL=1800 <sup>(8)</sup>	18SL=1800 <sup>(8)</sup>	16SL=1600 <sup>(8)</sup>																																																																																
22SL=2200	22SL=2200 <sup>(8)</sup>	20SL=2000																																																																																
34SL=3400	22SL=2200 <sup>(8)</sup>	30SL=3000																																																																																
37SL=3700	34SL=3400	33SL=3300																																																																																
41SL=4100	37SL=3700	37SL=3700																																																																																
49SL=4900	41SL=4100	44SL=4400																																																																																
52SL=5200	49SL=4900	47SL=4700																																																																																
56SL=5600	53SL=5300	50SL=5000																																																																																
60SL=6000 <sup>(14)</sup>	56SL=5600	54SL=5400																																																																																
60HL=6000 <sup>(1), (14)</sup>	60SL=6000	54HL=5400 <sup>(1), (14)</sup>																																																																																
68SL=6800 <sup>(14)</sup>	60HL=6000 <sup>(1), (14)</sup>	61SL=6100 <sup>(14)</sup>																																																																																
90SL=9000 <sup>(3), (14)</sup>	68SL=6800 <sup>(14)</sup>	81SL=8100 <sup>(3), (14)</sup>																																																																																
98SL=9800 <sup>(3), (14)</sup>	91SL=9100 <sup>(3), (14)</sup>	88SL=8800 <sup>(3), (14)</sup>																																																																																
105SL=10,500 <sup>(3), (14)</sup>	98SL=9800 <sup>(3), (14)</sup>	95SL=9500 <sup>(3), (14)</sup>																																																																																
130HL=13,000 <sup>(3), (12), (14)</sup>	106SL=10,600 <sup>(3), (14)</sup>	110HL=11,000 <sup>(3), (14)</sup>																																																																																
170HL=17,000 <sup>(3), (12), (14)</sup>	130HL=13,000 <sup>(3), (14)</sup>	150HL=15,300 <sup>(3), (14)</sup>																																																																																
	170HL=17,000 <sup>(3), (14)</sup>																																																																																	

NOTES: <sup>(1)</sup> 4 ft. only. <sup>(2)</sup> Nominal lumen values. <sup>(3)</sup> Two drivers required. <sup>(4)</sup> 4 ft. and 8 ft. only. <sup>(5)</sup> Motion Sensor offers dimmability. <sup>(6)</sup> For a complete listing of Fifth Light products, visit [www.eaton.com/lightingsystems](http://www.eaton.com/lightingsystems) <sup>(7)</sup> With integral test switch/indicator/laser test. For approximate delivered lumens multiply the lumens per watt of the desired fixture by the wattage of the emergency battery pack (100 lm/W x 7=700 lumens). IES-format photometry for luminaire under emergency operation available. <sup>(8)</sup> 2 ft. and 4 ft. only. <sup>(9)</sup> DesignLights Consortium™ Qualified and classified for DLC Standard (all lumen packages), refer to [www.designlights.org](http://www.designlights.org) for details. <sup>(10)</sup> 4100 lumen and above on 4 ft. and 8200 lumen and above on 8 ft. <sup>(11)</sup> HCD driver option requires two drivers for 6700 - 10,500 lumens. Not available for 13,000 lumens and above. <sup>(12)</sup> Not currently listed on DLC QPL. <sup>(13)</sup> Used to transfer fixture to secondary power source for life-safety operation. When used with a dimming fixture, two devices are required to ensure control is disabled while operating under emergency power. <sup>(14)</sup> 8 ft. only.

Specifications & dimensions subject to change without notice. Consult your Eaton Representative for availability and ordering information.

SHIPPING DATA

Length.	Wt.
2 ft.	4.3 lbs.
4 ft.	8.2 lbs.
8 ft.	15.1 lbs.



## LED Street Light Luminaire - DU2R1056-A2S-BRN-CW

<https://decorsusa.com/parking-lot-light/>

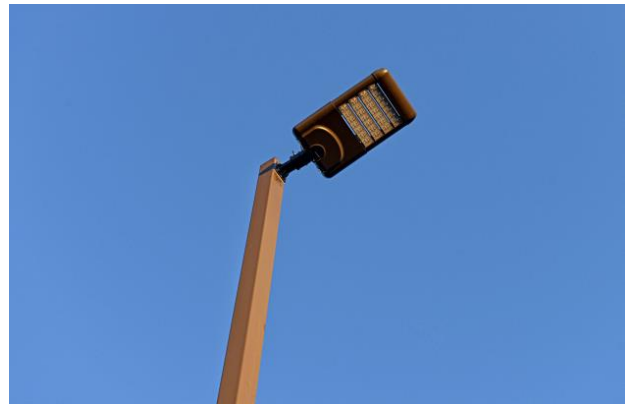
Type: BD1

70W-400W HPS Replacement - Typical Mounting Height of 3-15 Meters(15-50 Feet)

### ■ FEATURES

- **Warranty:** 5 years
- **Power Saving:** At least 60% Energy Saving
- **Product Life:** LEDs last for more than 75,000 hrs (12 hrs/day for about 10 years)
- **Heat Dissipation:** Patented heat dissipation design, achieves optimum efficiency
- **Modular Design:** Can replace the module directly, if you want another kind of application
- **Knuckle:** Can adjust the angle from 0 degree to 90 degree.
- **Lab Tested:** National listing lab test in accordance with IES Standards
- **Solid-State:** High-Shock and High-Vibration Resistant
- **High CRI:** 75 CRI enhances all original colors
- **Application:** Parking Lot, Area Lighting, Street Light, Highways

### ■ PHOTO



### ■ SPECIFICATIONS (MODEL: DU2R1056-A2S-BRN-CW)

Color	5000K
Part No.	DU2R1056
Input Voltage	120-277VAC
Working Current	700MA
Power Factor	0.96
LED Quantity	64 pcs of LEDs
Total Consumption	144 W
Total Lumens	19,600 lm
Efficacy	140 lm/w
LED	Lumileds
Beam Pattern	Type II (A2S)
Color Rendering Index	More than 75
Pipe Mounting Diameter	1.96-2.36 in. pipe(50mm-60mm)
IP Rating	IP65   UL Listed   DLC
Product Dimension	678mm*346mm*102mm
Working Condition	Temperature: -40°C~55°C Humidity: 10%~95%
Lifetime:	More than 75,000 hrs
Gross Weight	11.2 kg
Packing	L770*W440*H200 mm
Fixture Finishing	BRN: Brown Bronze

**Customer Service**

**866.248.6300**

Attn: Utkarsh Soni

E-mail: [utkarsh@decorsusa.com](mailto:utkarsh@decorsusa.com)

Phone: 1-856.264.1452



LED Street Light Luminaire – DU2R1056-A2S-BRN-CW

Type: BD1

**Lighting Equipment Schedule**

<b><u>Type</u></b>	<b><u>Description</u></b>	<b><u>Manufacturer No.</u></b>	<b><u>Lamp</u></b>	<b><u>Voltage</u></b>
BD1	<b>Site Lighting</b> Led Parking Lot Light Fixture Brown Bronze Finish Square Pole Adapter Included	DECORS – LED Street Light Luminaire DU2R1056-A2S-BRN-CW	64 LED 144 W, 5000 K 19,600 Delivered Lumens 75+ CRI ANSI TYPE II S	120- 277VAC

**Note 1:** Parking Lot lighting is based on 1-FC across the whole site at 30ft. Pole height can be adjusted to meet local codes, it is the responsibility of the architect to achieve 1-FC across whole site.

**Note 2:** Pole to be provided by GC.



**LED Street Light Luminaire - DU2R1028-A2S-BRN-CW**  
<https://decorsusa.com/parking-lot-light/>

70W-400W HPS Replacement - Typical Mounting Height 13-50 Feet

■ **FEATURES**

- **Warranty:** 5 years
- **Power Saving:** At least 60% Energy Saving
- **Product Life:** LEDs last for more than 50,000 hrs (12 hrs/day for about 10 years)
- **Heat Dissipation:** Patented heat dissipation design, achieves optimum efficiency
- **Modular Design:** Can replace the module directly for flexible design
- **Knuckle:** Can adjust the angle from 0 degree to 90 degree.
- **Lab Tested:** National listing lab test in accordance with IES Standards
- **Solid-State:** High-Shock and High-Vibration Resistant
- **High CRI:** 75 CRI enhances all original colors
- **Application:** Parking Lot, Area Lighting Etc

■ **PHOTO**



■ **SPECIFICATIONS (MODEL: DU2R1028-A2S-BRN-CW)**

<b>Color</b>	5000 K (Cool White)
<b>Part No.</b>	DU2R1048
<b>Input Voltage</b>	120-277VAC
<b>Working Current</b>	700MA
<b>Power Factor</b>	0.96
<b>LED Quantity</b>	32
<b>Total Consumption</b>	75 W
<b>Total Lumens</b>	11,001
<b>Efficacy</b>	140 lm/w
<b>LED</b>	Lumileds
<b>Beam Pattern</b>	Type II (A2S)
<b>Color Rendering Index</b>	More than 75
<b>Pipe Mounting Dismeter</b>	1.96-2.36 in. pipe(50mm-60mm)
<b>IP Rating</b>	IP65   UL Listed   DLC
<b>Product Dimension</b>	L564 x W346 x H102mm
<b>Working Condition</b>	Temperature: -40°C~55°C Humidity: 10%~95%
<b>Lifetime:</b>	More than 75,000 hrs
<b>Gross Weight</b>	8.4 KG
<b>Packing</b>	L770*W440*H200 mm
<b>Fixture Finishing</b>	BRN: Brown Bronze

Customer Service

866.248.6300

Attn: Utkarsh Soni  
 E-mail: [utkarsh@decorsusa.com](mailto:utkarsh@decorsusa.com)  
 Phone: 1-856.264.1452



LED Street Light Luminaire – DU2R1028-A2S-BRN-CW

Type: BD2

**Lighting Equipment Schedule**

<u>Type</u>	<u>Description</u>	<u>Manufacturer No.</u>	<u>Lamp</u>	<u>Voltage</u>
BD2	<b>Site Lighting</b> Led Parking Lot Light Fixture Brown Bronze Finish Universal Pole Adapter Included 13’ Pole with Two (2) heads on each Pole to be used at the Outdoor Pool Area.	DECORS – LED Street Light Luminaire DU2R1028-A2S-BRN-CW	32 LED  75 W, 5000 K 10,125 Delivered Lumens 75+ CRI ANSI TYPE II S	120- 277VAC

**Note 1:** Outdoor Pool Area to use (2) Two 13’ Poles with Two (2) heads on each pole which will utilize two 75 W Pole Light Fixtures on each pole.

**Note 2:** All Poles to be provided by GC.

**Note 3:** Contact at [sales@decorsusa.com](mailto:sales@decorsusa.com) or 1866-248-6300 for any questions

## PRODUCT SPECIFICATIONS



- Fire Rated: UL Listed fire resistance rated for up to two hours
- Sound Rated: Constructed to dampen unwanted noise
- 750 & 1000 lumen outputs
- 2700K, 3000K, 3500K, 4000K CCT
- Flicker-free TRIAC/ELV, 0-10V or Lutron Hi-lume 1% dimming
- IC rated, cULus Listed, ENERGY STAR® qualified, Title 24 compliant, UL Fire Listed, UL Listed for Wet Location, ASTM E283 certified Air Tight

### Frame-in Kit

**HOUSING:** Fire and sound-rated housing. Up to 120 minute fire rated L500 (floor-ceiling) & P500 (roof-ceiling) design. Die formed #24 gauge galvanized steel construction. Snap on galvanized cover. Non-combustible matt insulation.

**JUNCTION BOX:** Pre-wired #18 gauge galvanized steel junction box with (7) 1/2" knockouts and (4) Romex® knockouts and removable plates. Supplied with quick connectors for easy installation. Through branch wiring maximum of (8) #12 AWG 90°C branch circuit connectors (four-in, four-out).

**MOUNTING:** Pre-installed adjustable bar hangers engineered to accommodate lumber, laminated beams and T-bar.

**CEILING:** 1/2" up to 1".

**CUTOUT:** 4 3/8" (4" frame-in kit), 5 3/4" (5" frame-in kit), 6 3/8" (6" frame-in kit).

### Light Engine

**LED:** Tightly binned, high performing white Cree® LED.

**LUMEN OUTPUT (POWER):** 750 lm (11.8W), 1000 lm (14.7W).

**COLOR QUALITY:** 93+ CRI, 2-step SDCM.

**CCT OPTIONS:** 2700K, 3000K, 3500K, 4000K.

**CONNECTOR:** PowerPlug® Luminaire Disconnect Model 182 (TRIAC/ELV), Model 102 (0-10V, Lutron Hi-lume® 1% and/or emergency lighting).

**INPUT VOLTAGE:** 120/277V.

**DIMMING:** Down to less than 5% for TRIAC/ELV at 120V or 0-10V at 120/277V. Down to less than 1% for Lutron Hi-lume® 1% at 120/277V.

**EMERGENCY LIGHTING:** Optional Emergency LED Driver for lighting up to 90 minutes in event of power failure.

**LIFETIME:** 50,000 hours at 70% lumen maintenance.

**PHOTOMETRIC TESTING:** Tested in accordance to IESNA LM-79-2008.

**LISTINGS:** cULus Listed. IC rated. ENERGY STAR® qualified. California Title 24 JA8 compliant. ASTM E283 certified Air Tight. Fire Rated. STC/IC Sound Rated. UL Listed for Wet location.

**WARRANTY:** 5 year limited warranty.

### Trim

**CONSTRUCTION:** Die-cast aluminum. Twist & Lock mounting allows easy field installation and tight ceiling fit.



Product Code:	Type:	
Project:	Contact:	Date:



Type: D1

### PRODUCT SELECTION GUIDE

#### FRAME-IN KIT (Product Code Example: F4L)

APERTURE	FIRE RATING	DRIVER	OPTION
<b>F4L</b> 4" Aperture	<b>[Blank]</b> 1 Hour Fire Rating	<b>[Blank]</b> Integrated TRIAC/ELV	<b>[Blank]</b> None
<b>F5L</b> 5" Aperture	<b>2</b> 2 Hour Fire Rating	<b>70</b> 0-10V, 750 lm	<b>EM</b> Emergency Driver <i>Only available for 0-10V and Lutron Hi-Lume 1% driver</i>
<b>F6L</b> 6" Aperture		<b>100</b> 0-10V, 1000 lm	
		<b>7C</b> Lutron LDE1 <sup>1</sup> , 750 lm	
		<b>10C</b> Lutron LDE1 <sup>1</sup> , 1000 lm	
		<b>7W</b> Lutron L3DA3W <sup>2</sup> , 750 lm	
		<b>10W</b> Lutron L3DA3W <sup>2</sup> , 1000 lm	

\*WHERE EMERGENCY LIGHTING IS REQUIRED.

EMERGENCY LIGHTING COVERAGES TO BE DESIGNED BY IMPLEMENTATION ARCHITECT/ENGINEER TO MEET LOCAL REQUIREMENTS AND IHG BRAND SAFETY STANDARDS.

#### LIGHT ENGINE (Product Code Example: DRD2M7927)

PRODUCT CODE	LUMENS (WATTS)	CRI	CCT	DRIVER
<b>DRD2M</b> Module	<b>7</b> 750 lm (11.8W)	<b>9</b> 93+ CRI	<b>27</b> 2700K	<b>[Blank]</b> Integrated TRIAC/ELV
	<b>10</b> 1000 lm (14.7W)		<b>30</b> 3000K	
		<b>35</b> 3500K	<b>A</b> Alternate Dimming <i>Must be selected if 0-10V, Lutron Hi-Lume 1% or EM driver is selected for frame-in kit driver</i>	
		<b>40</b> 4000K		

#### TRIM (Product Code Example: DRD2TR4SWH)

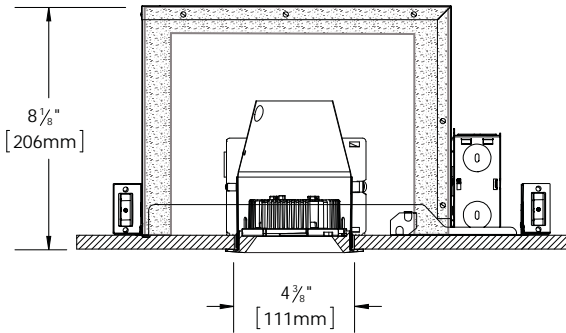
PRODUCT CODE	SHAPE	APERTURE	STYLE	FINISH	OPTION
<b>DRD2T</b> Trim	<b>R</b> Round	<b>4</b> 4" Aperture	<b>S</b> Smooth	<b>WH</b> White	<b>[Blank]</b> None
	<b>S</b> Square <i>Only available in 4" aperture, smooth style</i>	<b>5</b> 5" Aperture	<b>B</b> Baffle	<b>BK</b> Black	<b>DF</b> Dead Front <i>Only available in round shape, 4" aperture, smooth style; Compatible with 750 lm light engine only</i>
	<b>D</b> Deep <i>Only available in 6" aperture; smooth or baffle style; white, low iridescent or custom finish</i>	<b>6</b> 6" Aperture	<b>W</b> Wall Wash <i>Only available in white finish</i>	<b>SW</b> Silver Reflector, White Flange	
				<b>AZ</b> Low Iridescent Reflector, White Flange <i>Only available in deep shape</i>	
				<b>CC</b> Custom Color	

<sup>1</sup> Lutron LDE1 Dimming refers to Lutron Hi-lume 1% EcoSystem LED driver with Soft-on, Fade-to-Black™

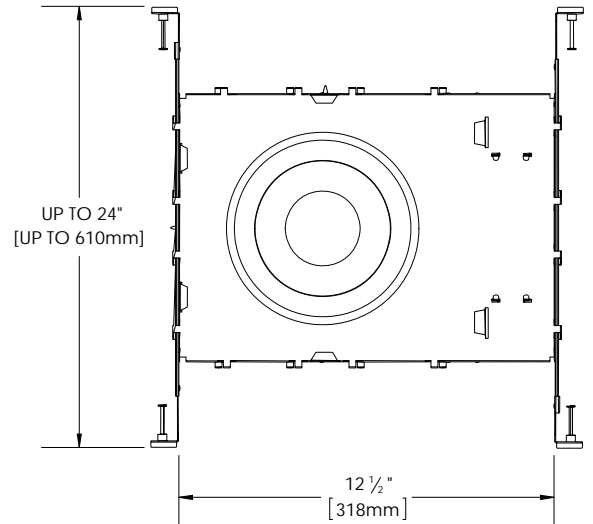
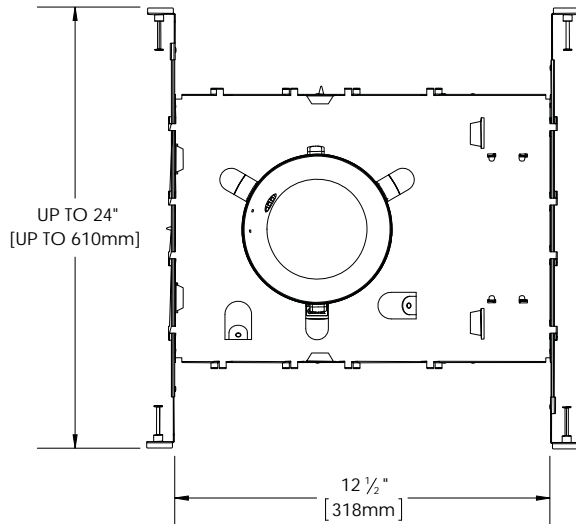
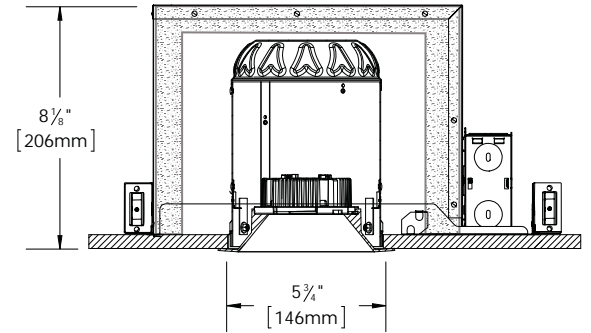
<sup>2</sup> Lutron L3DAE Dimming refers to Lutron Hi-lume 1% 3-wire LED driver

## FRAME-IN KIT DIMENSIONS

**F4L**  
4" Fire Rated Housing

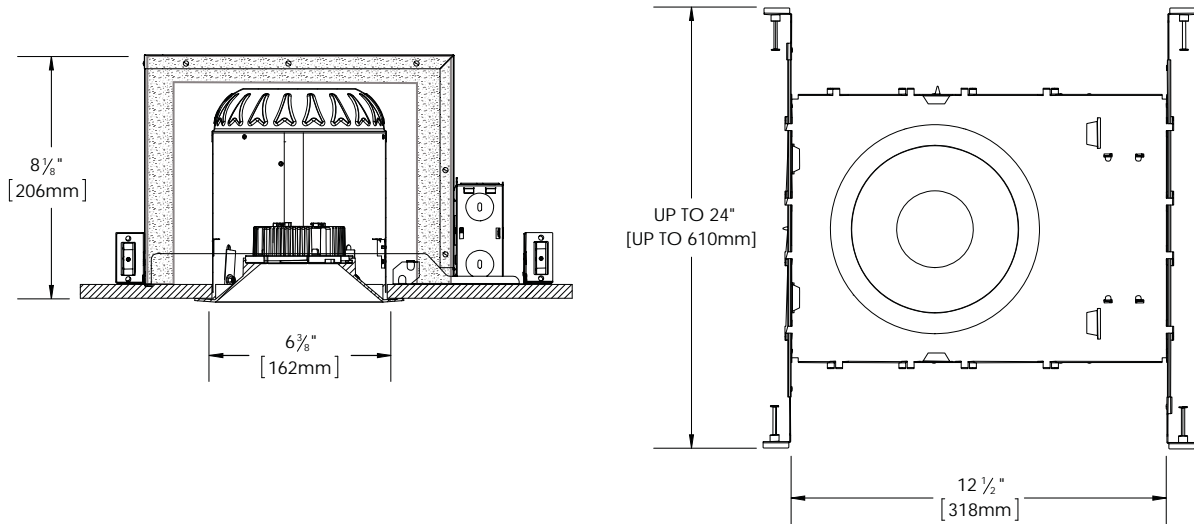


**F5L**  
5" Fire Rated Housing



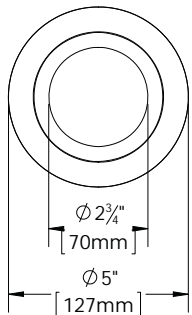
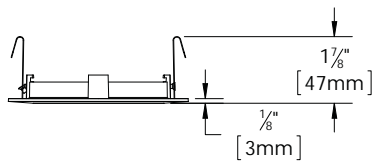
## FRAME-IN KIT DIMENSIONS

### F6L 6" Fire Rated Housing

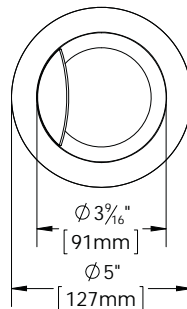
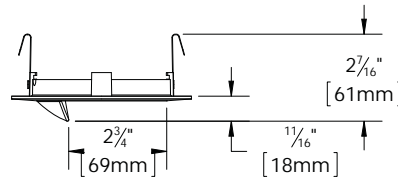


## TRIM DIMENSIONS

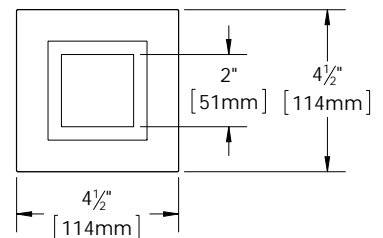
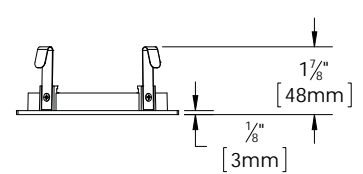
### DRD2TR4 4" Round Trim



### DRD2TR4W 4" Wall Wash Trim

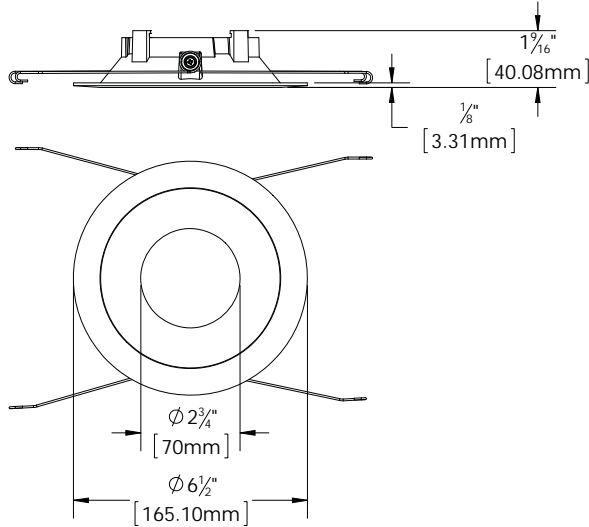


### DRD2TS4 4" Square Trim

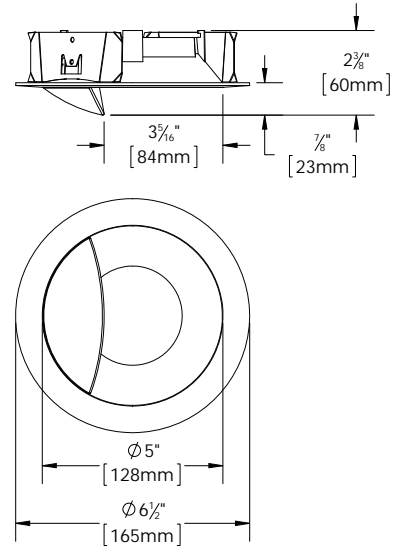


## TRIM DIMENSIONS

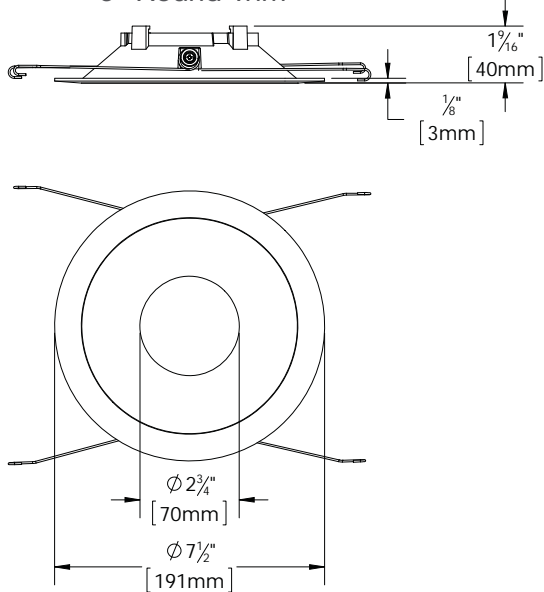
**DRD2TR5**  
5" Round Trim



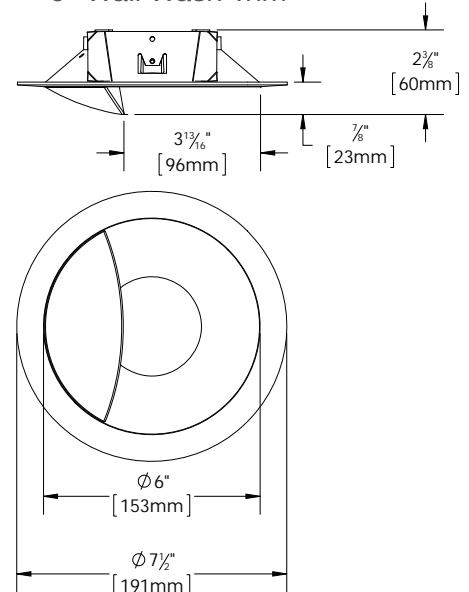
**DRD2TR5W**  
5" Wall Wash Trim



**DRD2TR6**  
6" Round Trim

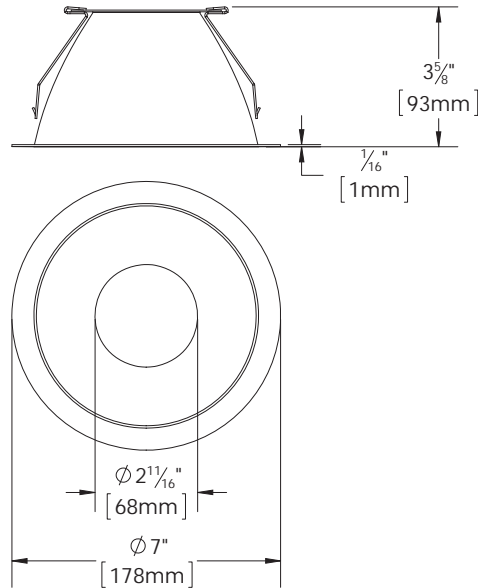


**DRD2TR6W**  
6" Wall Wash Trim



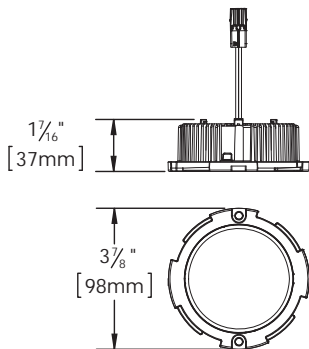
## TRIM DIMENSIONS

DRD2TD6  
6" Deep Trim



## LIGHT ENGINE OVERVIEW

DRD2M  
LED Module



	DRD2M7	DRD2M10
Total Module Lumen Output (lm)	750	1000
Total Rated Power (W)	11.8	14.7
Efficacy (lm/W)	64	68
Color Rendering Index	93+	
CCT Options	2700K, 3000K, 3500K, 4000K	
Optics	Flood	
Binning	2-step SDCM	
Lifetime (L70)	50,000 hours	
Max Ambient Operating Temperature	40°C	
Input Voltage (V)	120/277V, 50/60Hz	
Input Current at 120V (Max)	0.10A	0.13A
Input Current at 277V (Max)	0.042A	0.053A
Power Factor	>0.9	
Total Harmonic Distortion	<20%	
Dimming	100% - 5%	



Type: D1

### DIMMER COMPATIBILITY

#### Recommended Phase-control Dimmers (Dims down to 5% nominal measured light output)

Brand	Series	Model Number	Max Load DRD2M7	Max Load DRD2M10
Control 4	Control 4	C4-APD120	10	9
Cooper	Decorator	DLC03P, DAL06P	25	20
Legrand	Adorne	ADTP703TU	35	30
Lutron	Caseta	PD-6WCL	12	10
	CL Series	AYCL-153, CTCL-153, DVCL-153, LGCL-513, SCL-153, TGCL-513	12	10
	CL Series	AYCL-253, DVCL-253	20	15
	Grafik Eye 3000	QSGR-3P	30	25
	Grafik Sys / Homeworks	RPM-4A	25	20
	Grafik Sys / Homeworks	RPM-4U	30	25
	Maestro CL	MACL-153M, MSCL-OP153M, MSCL-VP153M	12	10
	Maestro Wireless	MRF2-6ELV, MRF2-6CL	12	10

#### Compatible Phase-control Dimmers<sup>1</sup> (Dims down to 20% nominal measured light output)

Brand	Series	Model Number	Max Load DRD2M7	Max Load DRD2M10
Cooper	Slide	SLC03P, SAL06P	25	20
Legrand	Harmony	H703PTU, HCL453P	30	25
Leviton	IllumaTech Slide	IPE04	25	20
	SureSlide	6621, 6674	10	10
Lutron	Diva	DV-600	12	10
	Maestro	MA-600	12	9
	Maestro ELV	MAELV-600, MSCELV-600	35	30
	Maestro Wireless	MRF2-6ND	12	10
	Radio RA	RRD-6NA, RRD-6CL, RRD-6D	12	10
	Power Booster	PHPM-PA, PHPM-WBX	25	20
	Sunrise	SR400RPC120, ZP260QEW	20	15
Watt Stopper	Digital Light Management	LMRC-221	160	150
	Dimming Sensor	PW-100D	14	12

<sup>1</sup> Dimmer compatibility reflects performance compatibility only. Please reference your local codes for application.

## PRODUCT SPECIFICATIONS



- Fire Rated: UL Listed fire resistance rated for up to two hours
- Sound Rated: Constructed to dampen unwanted noise
- 1500 & 2000 lumen outputs
- 2700K, 3000K, 3500K, 4000K CCT
- 0-10V or Lutron Hi-lume 1% dimming
- IC rated, cULus Listed, ENERGY STAR® qualified, Title 24 compliant, UL Fire Listed, UL Listed for Wet Location, ASTM E283 certified Air Tight

### Frame-in Kit

**HOUSING:** Fire and sound-rated housing. Up to 120 minute fire rated L500 (floor-ceiling) & P500 (roof-ceiling) design. Die formed #24 gauge galvanized steel construction. Snap on galvanized cover. Non-combustible matt insulation.

**JUNCTION BOX:** Pre-wired #18 gauge galvanized steel junction box with (7) 1/2" knockouts and (4) Romex® knockouts and removable plates. Supplied with quick connectors for easy installation. Through branch wiring maximum of (8) #12 AWG 90°C branch circuit connectors (four-in, four-out).

**MOUNTING:** Pre-installed adjustable bar hangers engineered to accommodate lumber, laminated beams and T-bar.

**CEILING:** 1/2" up to 1".

**CUTOUT:** 5 3/4" (5" frame-in kit), 6 3/8" (6" frame-in kit).

### Light Engine

**LED:** Next generation Cree® chip-on-board LED.

**LUMEN OUTPUT (POWER):** 1500 lm (19.5W), 2000 lm (29.0W).

**COLOR QUALITY:** 90+ CRI, 2-step SDCM.

**CCT OPTIONS:** 2700K, 3000K, 3500K, 4000K.

**CONNECTOR:** PowerPlug® Luminaire Disconnect Model 182.

**INPUT VOLTAGE:** 120/277V.

**DIMMING:** Down to less than 1% for 0-10V or Lutron Hi-lume® 1% at 120/277V.

**EMERGENCY LIGHTING:** Optional Emergency LED Driver for lighting up to 90 minutes in event of power failure.

**LIFETIME:** 50,000 hours at 70% lumen maintenance.

**PHOTOMETRIC TESTING:** Tested in accordance to IESNA LM-79-2008.

**LISTINGS:** cULus Listed. IC rated. ENERGY STAR® qualified. California Title 24 JA8 compliant. ASTM E283 certified Air Tight. Fire Rated. STC/IIC Sound Rated. UL Listed for Wet location.

**WARRANTY:** 5 year limited warranty.

### Trim

**CONSTRUCTION:** Die-cast aluminum. Twist & Lock mounting allows easy tool-free field installation and tight ceiling fit.



Product Code:		Type:	
Project:		Contact:	Date:



Type: D2

### PRODUCT SELECTION GUIDE

#### FRAME-IN KIT (Product Code Example: F5L150)

APERTURE	FIRE RATING	DRIVER	OPTION
F5L 5" Aperture	[Blank] 1 Hour Fire Rating	15O 0-10V, 1500 Im	[Blank] None
F6L 6" Aperture	2 2 Hour Fire Rating	20O 0-10V, 2000 Im	EM Emergency Driver
	Fire Rating to be determined based on requirements of project.	15C Lutron LDE1 <sup>1</sup> , 1500 Im	
		20C Lutron LDE1 <sup>1</sup> , 2000 Im	
		15W Lutron L3DA3W <sup>2</sup> , 1500 Im	
		20W Lutron L3DA3W <sup>2</sup> , 2000 Im	

\*WHERE EMERGENCY LIGHTING IS REQUIRED.

EMERGENCY LIGHTING COVERAGES TO BE DESIGNED BY IMPLEMENTATION ARCHITECT/ENGINEER TO MEET LOCAL REQUIREMENTS AND IHG BRAND SAFETY STANDARDS.

#### LIGHT ENGINE (Product Code Example: DCD1M15927A)

PRODUCT CODE	LUMENS (WATTS)	CRI	CCT	CONSTRUCTION
DCD1M Module	15 1500 Im (19.5W)	9 90+ CRI	27 2700K	A Alternate Construction
	20 2000 Im (29.0W)		30 3000K	
			35 3500K	
			40 4000K	

#### TRIM (Product Code Example: DRD2TR5SWH)

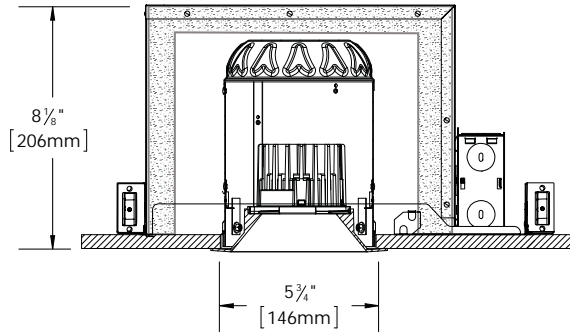
PRODUCT CODE	SHAPE	APERTURE	STYLE	FINISH
DRD2T Trim	R Round	5 5" Aperture	S Smooth	WH White
	D Deep <i>Only available in 6" aperture; smooth or baffle style; white, low iridescent or custom finish</i>	6 6" Aperture	B Baffle	BK Black
			W Wall Wash <i>Only available in white finish</i>	SW Silver Reflector, White Flange
				AZ Low Iridescent Reflector, White Flange <i>Only available in deep shape</i>
				CC Custom Color

<sup>1</sup> Lutron LDE1 Dimming refers to Lutron Hi-lume 1% EcoSystem LED driver with Soft-on, Fade-to-Black™

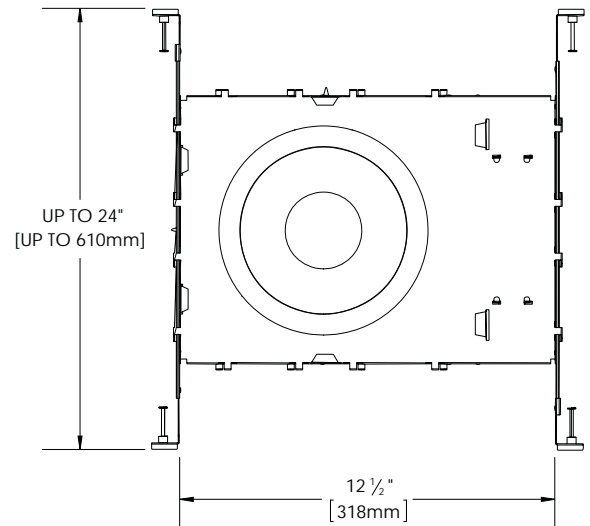
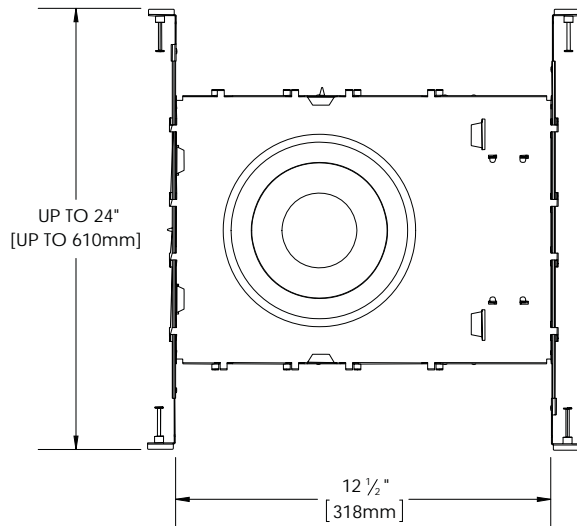
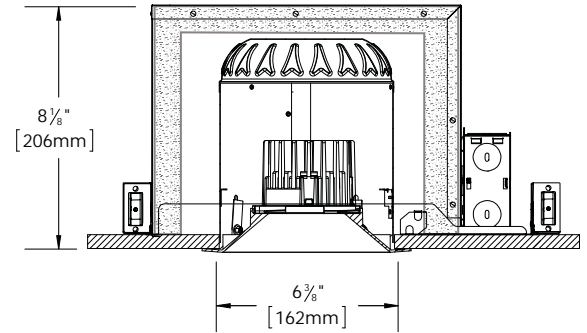
<sup>2</sup> Lutron L3DAE Dimming refers to Lutron Hi-lume 1% 3-wire LED driver

## FRAME-IN KIT DIMENSIONS

**F5L**  
5" Fire Rated Housing

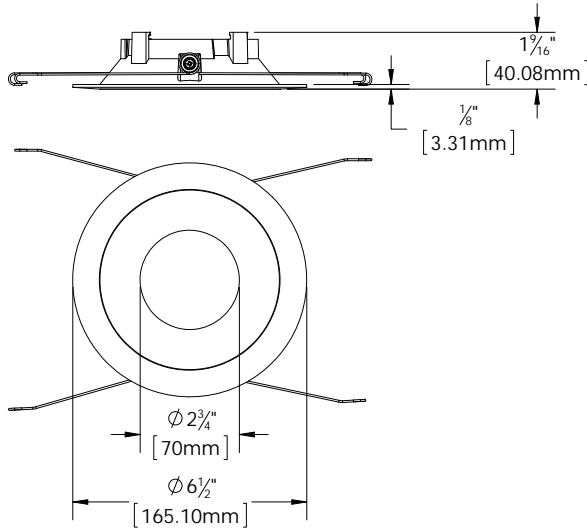


**F6L**  
6" Fire Rated Housing

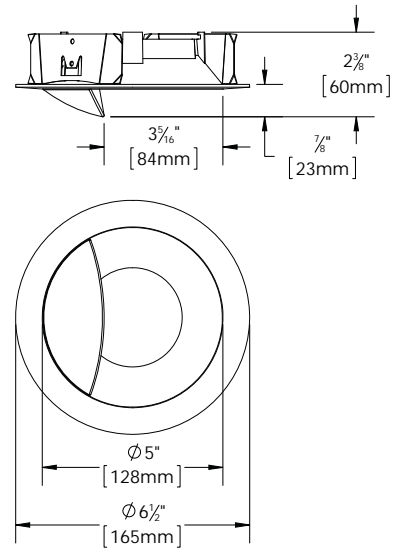


## TRIM DIMENSIONS

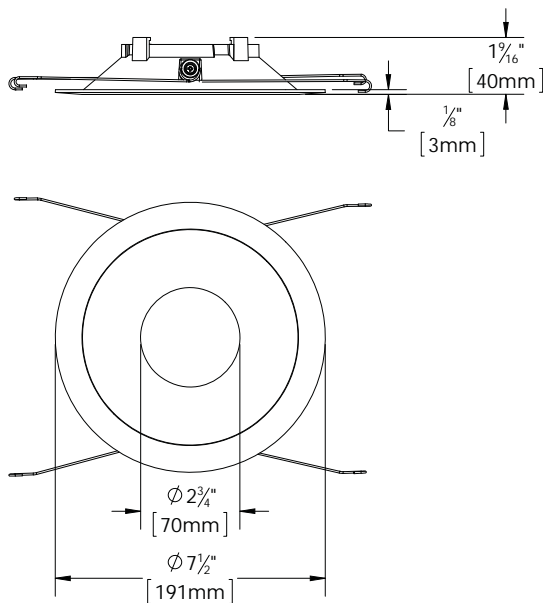
**DRD2TR5**  
5" Round Trim



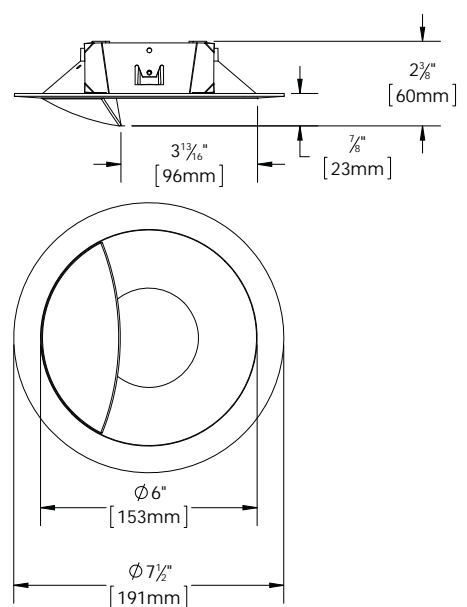
**DRD2TR5W**  
5" Wall Wash Trim



**DRD2TR6**  
6" Round Trim

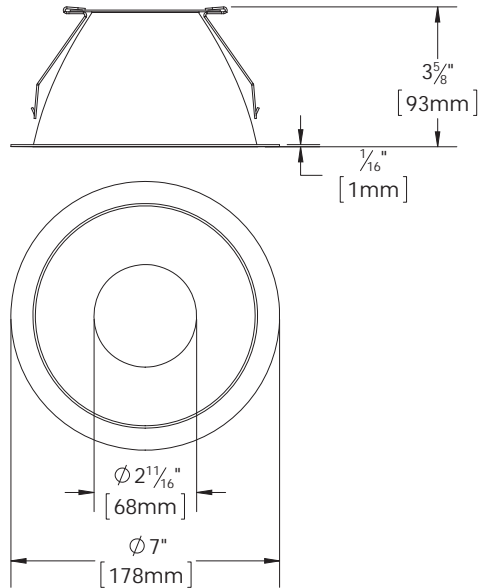


**DRD2TR6W**  
6" Wall Wash Trim

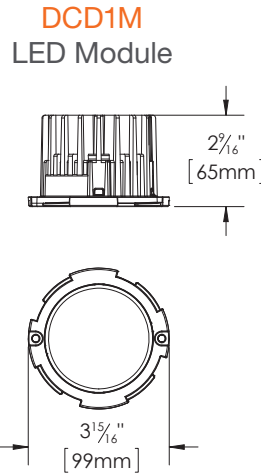


## TRIM DIMENSIONS

DRD2TD6  
6" Deep Trim



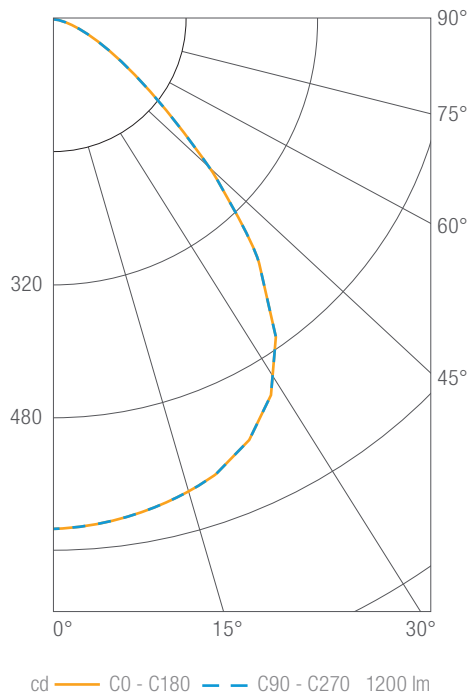
## LIGHT ENGINE OVERVIEW



	DCD1M10	DCD1M15	DCD1M20
Total Module Lumen Output (lm)	1000	1500	2000
Total Rated Power (W)	13.6	19.5	29.0
Efficacy (lm/W)	74	77	69
Color Rendering Index	90+		
CCT Options	2700K, 3000K, 3500K, 4000K		
Optics	Flood		
Binning	2-step SDCM		
Lifetime (L70)	50,000 hours		
Max Ambient Operating Temperature	40°C		
Input Voltage (V)	38VDC (light engine), 120 or 277VAC (luminaire), 50/60Hz		
Input Current at 120V (Max)	0.20A	0.26A	0.37A
Input Current at 277V (Max)	0.10A	0.12A	0.16A
Power Factor	>0.9		
Total Harmonic Distortion	<20%		
Dimming	100% - 5% (TRIAC/ELV), 100% - 10% (0-10V), 100% - 1% (Lutron Hi-lume 1%)		

## PHOTOMETRICS

Light Engine: **DCD1M10930A** (DCD1 Module, 1000 lm, 90 CRI, 3000K)  
Trim: **DRD2TR6SWH** (DRD2 Trim, 6" Aperture, Smooth, White)



Luminous Intensity

Gamma	C 0°
0°	618
5°	615
10°	609
15°	598
20°	584
25°	563
30°	528
35°	471
40°	391
45°	293
50°	197
55°	129
60°	85
65°	55
70°	31
75°	15
80°	7
85°	3
90°	0

Values in candela

Zonal Lumen Summary

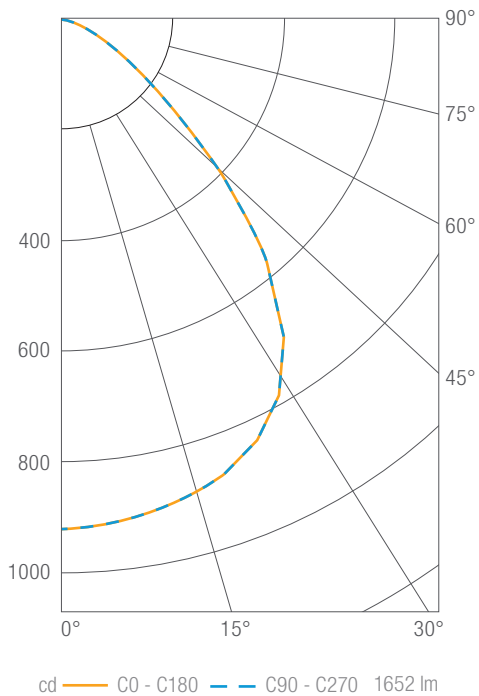
Zone	Lumens	Luminaire %
0-30	486	41
0-40	777	65
0-60	1123	94
0-90	1200	100
0-180	1200	100

Illuminance Chart

Distance from LED	Foot Candles	Diameter
3.0'	69	5.8'
6.0'	17	11.6'
9.0'	8	17.4'
12.0'	4	23.3'

Beam Angle: 88°

Light Engine: **DCD1M15930A** (DCD1 Module, 1500 lm, 90 CRI, 3000K)  
Trim: **DRD2TR6SWH** (DRD2 Trim, 6" Aperture, Smooth, White)



Luminous Intensity

Gamma	C 0°
0°	851
5°	847
10°	838
15°	824
20°	804
25°	775
30°	727
35°	649
40°	539
45°	403
50°	272
55°	178
60°	117
65°	75
70°	42
75°	20
80°	10
85°	4
90°	0

Values in candela

Zonal Lumen Summary

Zone	Lumens	Luminaire %
0-30	669	41
0-40	1070	65
0-60	1546	94
0-90	1652	100
0-180	1652	100

Illuminance Chart

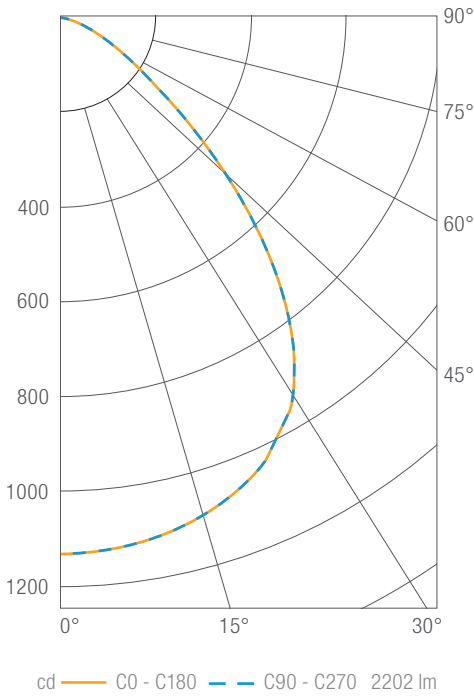
Distance from LED	Foot Candles	Diameter
3.0'	95	5.8'
6.0'	24	11.6'
9.0'	11	17.4'
12.0'	6	23.3'

Beam Angle: 88°

## PHOTOMETRICS

Light Engine: **DCD1M20930A** (DCD1 Module, 2000 lm, 90 CRI, 3000K)

Trim: **DRD2TR6SWH** (DRD2 Trim, 6" Aperture, Smooth, White)



Luminous Intensity

Gamma	C 0°
0°	1135
5°	1129
10°	1117
15°	1098
20°	1072
25°	1033
30°	969
35°	865
40°	718
45°	538
50°	362
55°	237
60°	156
65°	100
70°	56
75°	27
80°	13
85°	5
90°	0

Values in candela

Zonal Lumen Summary

Zone	Lumens	Luminaire %
0-30	892	41
0-40	1426	65
0-60	2062	94
0-90	2202	100
0-180	2202	100

Illuminance Chart

Distance from LED	Foot Candles	Diameter
3.0'	126	5.8'
6.0'	32	11.6'
9.0'	14	17.4'
12.0'	8	23.3'

Beam Angle: 88°

Light Engine: **DCD1Mxx927A, DCD1Mxx935A, DCD1Mxx940A**

Trim: **DRD2TR6SWH** (DRD2 Trim, 6" Aperture, Smooth, White)

### CCT Scaling

DCD1Mxx927A (2700K)	DCD1Mxx930A (3000K)	DCD1Mxx935A (3500K)	DCD1Mxx940A (4000K)
0.93	1.00	1.00	1.07



### DIMMER COMPATIBILITY

#### Recommended Phase-control Dimmers (Dims down to 5% nominal measured light output)

Brand	Series	Model Number	Max Load DCD1M10	Max Load DCD1M15	Max Load DCD1M20
Cooper	Decorator	DLC03P, DAL06P	17	10	8
Legrand	Adorne	ADTP703TU	28	17	14
Lutron	Caseta	PD-6WCL	9	6	4
	CL Series	AYCL-153, CTCL-153, DVCL-153, LGCL-513, SCL-153, TGCL-513	9	5	4
	CL Series	DVCL-253	15	9	7
	Grafik Eye 3000	QSGR-3P	18	13	9
	Grafik Sys / Homeworks	RPM-4U	18	11	9
	Grafik Sys / Homeworks	RPM-4A	20	13	10
	Maestro	MA-600	9	5	4
	Maestro CL	MACL-153M, MSCL-OP153M, MSCL-VP153M	9	5	4
	Maestro ELV	MAELV-600, MSCELV-600	26	16	13
	Maestro Wireless	MRF2-6ELV, MRF2-6CL, MRF2-6ND	9	6	4
Radio RA	RRD-6NA, RRD-6CL, RRD-6D	9	6	4	

#### Compatible Phase-control Dimmers<sup>1</sup> (Dims down to 20% nominal measured light output)

Brand	Series	Model Number	Max Load DCD1M10	Max Load DCD1M15	Max Load DCD1M20
Cooper	Aspire	9573	17	10	8
	Slide	SLC03P, SAL06P	17	10	8
Legrand	Harmony	H703PTU, HCL453P	25	14	12
Leviton	IllumaTech Slide	IPE04	18	11	9
	SureSlide	6621, 6674	8	5	4
Lutron	Diva	DV-600	8	5	4
	Skylark	S-600, SLV-600	9	6	4
	Skylark	S-1000	14	8	7
	Skylark ELV	SELV-300	19	11	9
Lightolier	Sunrise	SR400RPC120, ZP260QEW	15	9	7
Watt Stopper	Digital Light Management	LMRC-221	132	97	68
	Dimming Sensor	PW-100D	47	29	23

<sup>1</sup> Dimmer compatibility reflects performance compatibility only. Please reference your local codes for application.



Type: D2

## DIMMER COMPATIBILITY

Recommended 0-10V Dimmers (Dims down to 10% nominal measured light output)

Brand	Series	Model Number	Max Load DCD1M10	Max Load DCD1M15	Max Load DCD1M20
Legrand	Titan	CD4FB	138	97	71
Leviton	IllumaTech	IP710-DLZ	65	46	34
Lithonia	Synergy	ISD BC	65	46	34
Lutron	Diva	DVTV	103	73	54
	Nova	NFTV	154	110	78
	Nova	NTSTV-DV	137	105	76
Watt Stopper	Micro Decorator Style	DCLV1	192	135	95



### PRODUCT SPECIFICATIONS



- Fire Rated: UL Listed fire resistance rated for up to two hours
- Sound Rated: Constructed to dampen unwanted noise
- 750 & 1000 lumen outputs
- 2700K, 3000K, 3500K, 4000K CCT
- Flicker-free TRIAC/ELV, 0-10V or Lutron Hi-lume 1% dimming
- IC rated, cULus Listed, ENERGY STAR® qualified, Title 24 compliant, UL Fire Listed, UL Listed for Wet Location, ASTM E283 certified Air Tight

### Frame-in Kit

**HOUSING:** Fire and sound-rated housing. Up to 120 minute fire rated L500 (floor-ceiling) & P500 (roof-ceiling) design. Die formed #24 gauge galvanized steel construction. Snap on galvanized cover. Non-combustible matt insulation.

**JUNCTION BOX:** Pre-wired #18 gauge galvanized steel junction box with (7) 1/2" knockouts and (4) Romex® knockouts and removable plates. Supplied with quick connectors for easy installation. Through branch wiring maximum of (8) #12 AWG 90°C branch circuit connectors (four-in, four-out).

**MOUNTING:** Pre-installed adjustable bar hangers engineered to accommodate lumber, laminated beams and T-bar.

**CEILING:** 1/2" up to 1".

**CUTOUT:** 4 3/8" (4" frame-in kit), 5 3/4" (5" frame-in kit), 6 3/8" (6" frame-in kit).

### Light Engine

**LED:** Tightly binned, high performing white Cree® LED.

**LUMEN OUTPUT (POWER):** 750 lm (11.8W), 1000 lm (14.7W).

**COLOR QUALITY:** 93+ CRI, 2-step SDCM.

**CCT OPTIONS:** 2700K, 3000K, 3500K, 4000K.

**CONNECTOR:** PowerPlug® Luminaire Disconnect Model 182 (TRIAC/ELV), Model 102 (0-10V, Lutron Hi-lume® 1% and/or emergency lighting).

**INPUT VOLTAGE:** 120/277V.

**DIMMING:** Down to less than 5% for TRIAC/ELV at 120V or 0-10V at 120/277V. Down to less than 1% for Lutron Hi-lume® 1% at 120/277V.

**EMERGENCY LIGHTING:** Optional Emergency LED Driver for lighting up to 90 minutes in event of power failure.

**LIFETIME:** 50,000 hours at 70% lumen maintenance.

**PHOTOMETRIC TESTING:** Tested in accordance to IESNA LM-79-2008.

**LISTINGS:** cULus Listed. IC rated. ENERGY STAR® qualified. California Title 24 JA8 compliant. ASTM E283 certified Air Tight. Fire Rated. STC/IIC Sound Rated. UL Listed for Wet location.

**WARRANTY:** 5 year limited warranty.

### Trim

**CONSTRUCTION:** Die-cast aluminum. Twist & Lock mounting allows easy field installation and tight ceiling fit.



Product Code:	Type:	
Project:	Contact:	Date:



### PRODUCT SELECTION GUIDE

#### FRAME-IN KIT (Product Code Example: F4L)

APERTURE	FIRE RATING	DRIVER	OPTION
<b>F4L</b> 4" Aperture	<b>[Blank]</b> 1 Hour Fire Rating	<b>[Blank]</b> Integrated TRIAC/ELV	<b>[Blank]</b> None
<b>F5L</b> 5" Aperture	<b>2</b> 2 Hour Fire Rating	<b>70</b> 0-10V, 750 lm	<b>EM</b> Emergency Driver <i>Only available for 0-10V and Lutron Hi-Lume 1% driver</i>
<b>F6L</b> 6" Aperture	<b>Fire rating to be determined based on requirements of project.</b>	<b>100</b> 0-10V, 1000 lm	
		<b>7C</b> Lutron LDE1 <sup>1</sup> , 750 lm	
		<b>10C</b> Lutron LDE1 <sup>1</sup> , 1000 lm	
		<b>7W</b> Lutron L3DA3W <sup>2</sup> , 750 lm	
		<b>10W</b> Lutron L3DA3W <sup>2</sup> , 1000 lm	

**\*WHERE EMERGENCY LIGHTING IS REQUIRED.**

**EMERGENCY LIGHTING COVERAGES TO BE DESIGNED BY IMPLEMENTATION ARCHITECT/ENGINEER TO MEET LOCAL REQUIREMENTS AND IHG BRAND SAFETY STANDARDS.**

#### LIGHT ENGINE (Product Code Example: DRD2M7927)

PRODUCT CODE	LUMENS (WATTS)	CRI	CCT	DRIVER
<b>DRD2M</b> Module	<b>7</b> 750 lm (11.8W)	<b>9</b> 93+ CRI	<b>27</b> 2700K	<b>[Blank]</b> Integrated TRIAC/ELV
	<b>10</b> 1000 lm (14.7W)		<b>30</b> 3000K	
		<b>35</b> 3500K		
		<b>40</b> 4000K		
			<b>A</b> Alternate Dimming <i>Must be selected if 0-10V, Lutron Hi-Lume 1% or EM driver is selected for frame-in kit driver</i>	

#### TRIM (Product Code Example: DRD2TR4SWH)

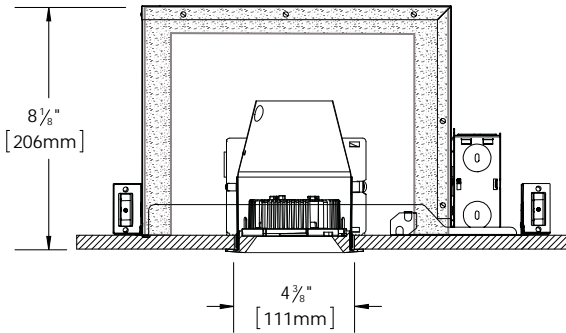
PRODUCT CODE	SHAPE	APERTURE	STYLE	FINISH	OPTION
<b>DRD2T</b> Trim	<b>R</b> Round	<b>4</b> 4" Aperture	<b>S</b> Smooth	<b>WH</b> White	<b>[Blank]</b> None
	<b>S</b> Square <i>Only available in 4" aperture, smooth style</i>	<b>5</b> 5" Aperture	<b>B</b> Baffle	<b>BK</b> Black	<b>DF</b> Dead Front <i>Only available in round shape, 4" aperture, smooth style; Compatible with 750 lm light engine only</i>
	<b>D</b> Deep <i>Only available in 6" aperture; smooth or baffle style; white, low iridescent or custom finish</i>	<b>6</b> 6" Aperture	<b>W</b> Wall Wash <i>Only available in white finish</i>	<b>SW</b> Silver Reflector, White Flange	
				<b>AZ</b> Low Iridescent Reflector, White Flange <i>Only available in deep shape</i>	
				<b>CC</b> Custom Color	

<sup>1</sup> Lutron LDE1 Dimming refers to Lutron Hi-Lume 1% EcoSystem LED driver with Soft-on, Fade-to-Black™

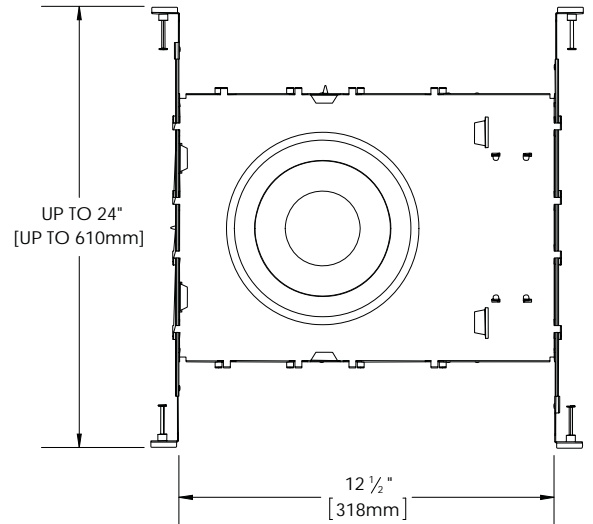
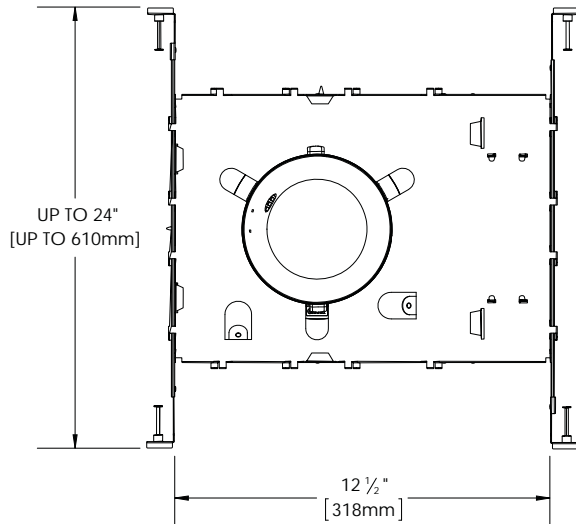
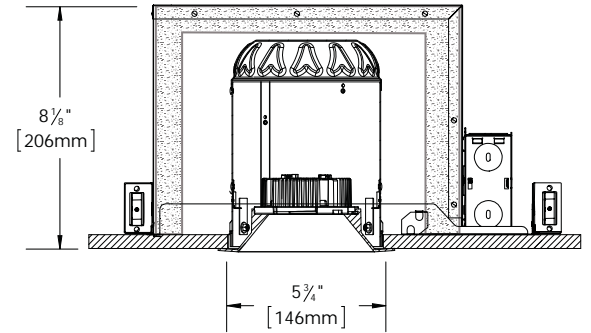
<sup>2</sup> Lutron L3DAE Dimming refers to Lutron Hi-Lume 1% 3-wire LED driver

## FRAME-IN KIT DIMENSIONS

**F4L**  
 4" Fire Rated Housing

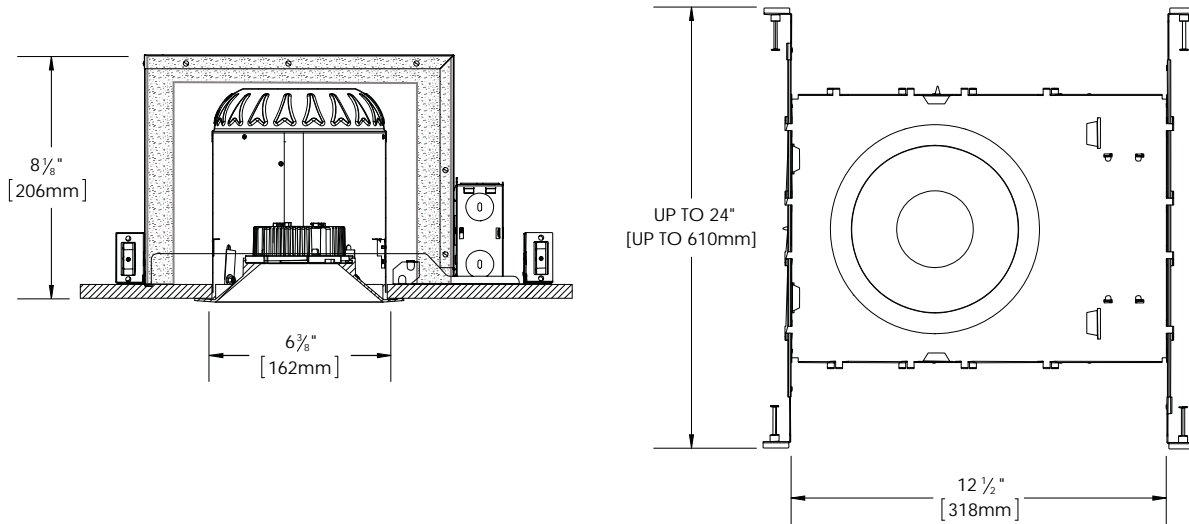


**F5L**  
 5" Fire Rated Housing



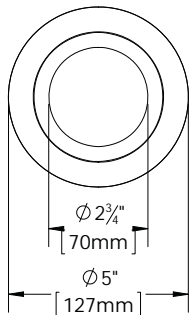
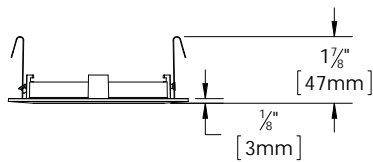
## FRAME-IN KIT DIMENSIONS

### F6L 6" Fire Rated Housing

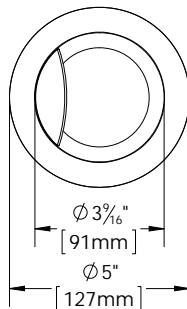
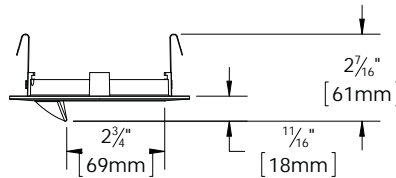


## TRIM DIMENSIONS

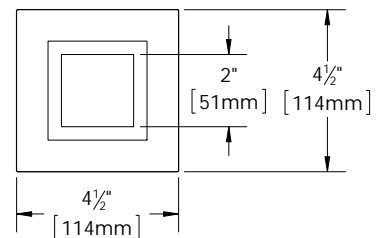
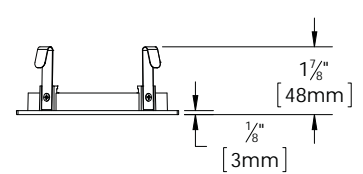
### DRD2TR4 4" Round Trim



### DRD2TR4W 4" Wall Wash Trim

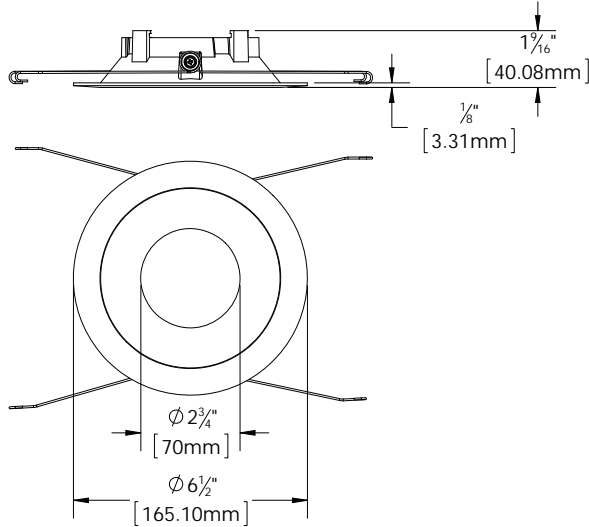


### DRD2TS4 4" Square Trim

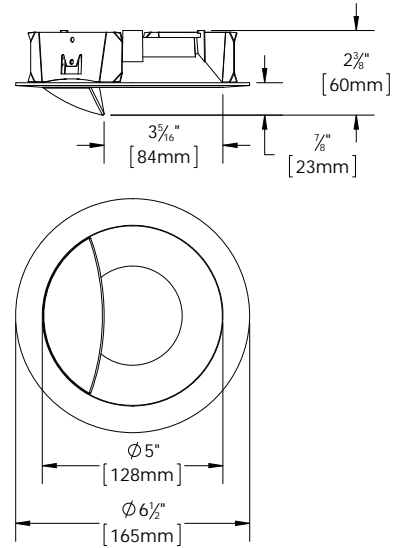


## TRIM DIMENSIONS

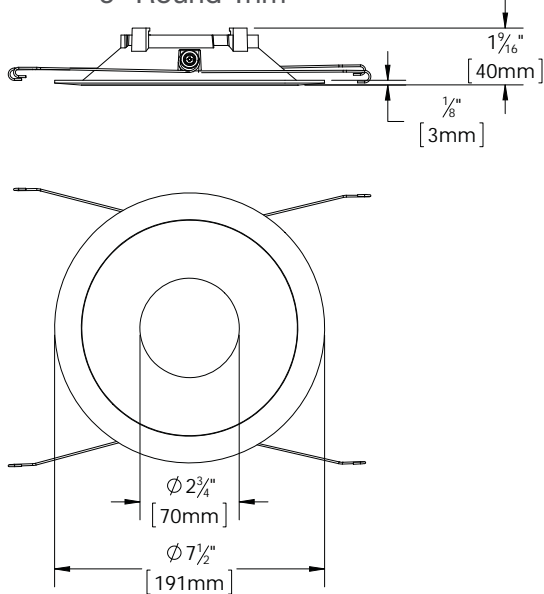
**DRD2TR5**  
5" Round Trim



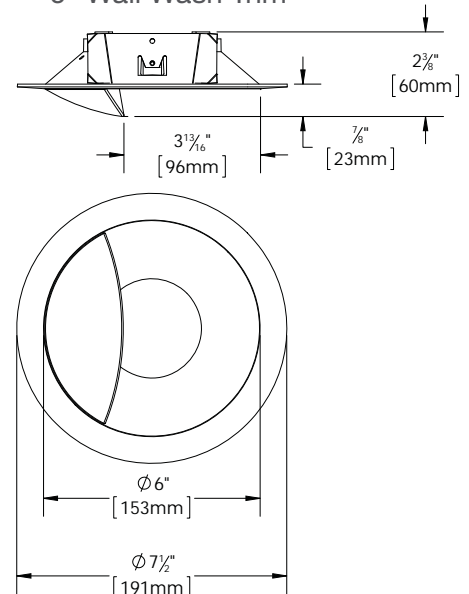
**DRD2TR5W**  
5" Wall Wash Trim



**DRD2TR6**  
6" Round Trim

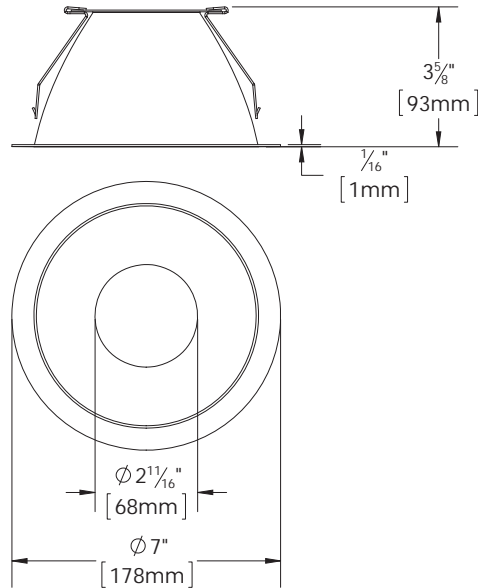


**DRD2TR6W**  
6" Wall Wash Trim



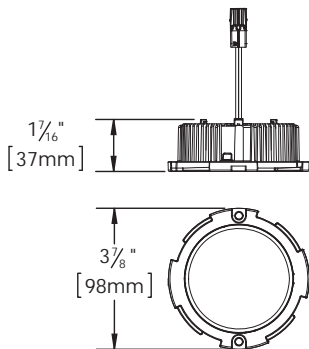
## TRIM DIMENSIONS

DRD2TD6  
6" Deep Trim



## LIGHT ENGINE OVERVIEW

DRD2M  
LED Module



	DRD2M7	DRD2M10
Total Module Lumen Output (lm)	750	1000
Total Rated Power (W)	11.8	14.7
Efficacy (lm/W)	64	68
Color Rendering Index	93+	
CCT Options	2700K, 3000K, 3500K, 4000K	
Optics	Flood	
Binning	2-step SDCM	
Lifetime (L70)	50,000 hours	
Max Ambient Operating Temperature	40°C	
Input Voltage (V)	120/277V, 50/60Hz	
Input Current at 120V (Max)	0.10A	0.13A
Input Current at 277V (Max)	0.042A	0.053A
Power Factor	>0.9	
Total Harmonic Distortion	<20%	
Dimming	100% - 5%	



Type: D4

### DIMMER COMPATIBILITY

#### Recommended Phase-control Dimmers (Dims down to 5% nominal measured light output)

Brand	Series	Model Number	Max Load DRD2M7	Max Load DRD2M10
Control 4	Control 4	C4-APD120	10	9
Cooper	Decorator	DLC03P, DAL06P	25	20
Legrand	Adorne	ADTP703TU	35	30
Lutron	Caseta	PD-6WCL	12	10
	CL Series	AYCL-153, CTCL-153, DVCL-153, LGCL-513, SCL-153, TGCL-513	12	10
	CL Series	AYCL-253, DVCL-253	20	15
	Grafik Eye 3000	QSGR-3P	30	25
	Grafik Sys / Homeworks	RPM-4A	25	20
	Grafik Sys / Homeworks	RPM-4U	30	25
	Maestro CL	MACL-153M, MSCL-OP153M, MSCL-VP153M	12	10
	Maestro Wireless	MRF2-6ELV, MRF2-6CL	12	10

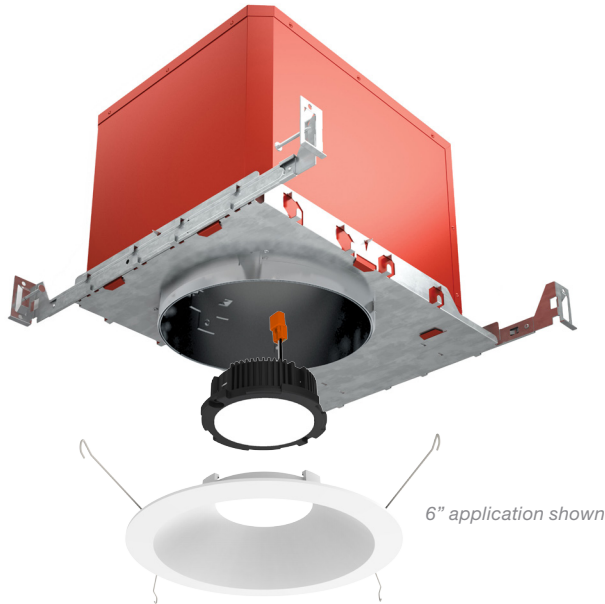
#### Compatible Phase-control Dimmers<sup>1</sup> (Dims down to 20% nominal measured light output)

Brand	Series	Model Number	Max Load DRD2M7	Max Load DRD2M10
Cooper	Slide	SLC03P, SAL06P	25	20
Legrand	Harmony	H703PTU, HCL453P	30	25
Leviton	IllumaTech Slide	IPE04	25	20
	SureSlide	6621, 6674	10	10
Lutron	Diva	DV-600	12	10
	Maestro	MA-600	12	9
	Maestro ELV	MAELV-600, MSCELV-600	35	30
	Maestro Wireless	MRF2-6ND	12	10
	Radio RA	RRD-6NA, RRD-6CL, RRD-6D	12	10
	Power Booster	PHPM-PA, PHPM-WBX	25	20
	Sunrise	SR400RPC120, ZP260QEW	20	15
Watt Stopper	Digital Light Management	LMRC-221	160	150
	Dimming Sensor	PW-100D	14	12

<sup>1</sup> Dimmer compatibility reflects performance compatibility only. Please reference your local codes for application.



### PRODUCT SPECIFICATIONS



- Fire Rated: UL Listed fire resistance rated for up to two hours
- Sound Rated: Constructed to dampen unwanted noise
- 750 & 1000 lumen outputs
- 2700K, 3000K, 3500K, 4000K CCT
- Flicker-free TRIAC/ELV, 0-10V or Lutron Hi-lume 1% dimming
- IC rated, cULus Listed, ENERGY STAR® qualified, Title 24 compliant, UL Fire Listed, UL Listed for Wet Location, ASTM E283 certified Air Tight

### Frame-in Kit

**HOUSING:** Fire and sound-rated housing. Up to 120 minute fire rated L500 (floor-ceiling) & P500 (roof-ceiling) design. Die formed #24 gauge galvanized steel construction. Snap on galvanized cover. Non-combustible matt insulation.

**JUNCTION BOX:** Pre-wired #18 gauge galvanized steel junction box with (7) 1/2" knockouts and (4) Romex® knockouts and removable plates. Supplied with quick connectors for easy installation. Through branch wiring maximum of (8) #12 AWG 90°C branch circuit connectors (four-in, four-out).

**MOUNTING:** Pre-installed adjustable bar hangers engineered to accommodate lumber, laminated beams and T-bar.

**CEILING:** 1/2" up to 1".

**CUTOUT:** 4 3/8" (4" frame-in kit), 5 3/4" (5" frame-in kit), 6 3/8" (6" frame-in kit).

### Light Engine

**LED:** Tightly binned, high performing white Cree® LED.

**LUMEN OUTPUT (POWER):** 750 lm (11.8W), 1000 lm (14.7W).

**COLOR QUALITY:** 93+ CRI, 2-step SDCM.

**CCT OPTIONS:** 2700K, 3000K, 3500K, 4000K.

**CONNECTOR:** PowerPlug® Luminaire Disconnect Model 182 (TRIAC/ELV), Model 102 (0-10V, Lutron Hi-lume® 1% and/or emergency lighting).

**INPUT VOLTAGE:** 120/277V.

**DIMMING:** Down to less than 5% for TRIAC/ELV at 120V or 0-10V at 120/277V. Down to less than 1% for Lutron Hi-lume® 1% at 120/277V.

**EMERGENCY LIGHTING:** Optional Emergency LED Driver for lighting up to 90 minutes in event of power failure.

**LIFETIME:** 50,000 hours at 70% lumen maintenance.

**PHOTOMETRIC TESTING:** Tested in accordance to IESNA LM-79-2008.

**LISTINGS:** cULus Listed. IC rated. ENERGY STAR® qualified. California Title 24 JA8 compliant. ASTM E283 certified Air Tight. Fire Rated. STC/IIC Sound Rated. UL Listed for Wet location.

**WARRANTY:** 5 year limited warranty.

### Trim

**CONSTRUCTION:** Die-cast aluminum. Twist & Lock mounting allows easy field installation and tight ceiling fit.



Product Code:	Type:	
Project:	Contact:	Date:



Type: D5

### PRODUCT SELECTION GUIDE

#### FRAME-IN KIT (Product Code Example: F4L)

APERTURE	FIRE RATING	DRIVER	OPTION
<b>F4L</b> 4" Aperture	<b>[Blank]</b> 1 Hour Fire Rating	<b>[Blank]</b> Integrated TRIAC/ELV	<b>[Blank]</b> None
<b>F5L</b> 5" Aperture	<b>2</b> 2 Hour Fire Rating	<b>70</b> 0-10V, 750 lm	<b>EM</b> Emergency Driver <i>Only available for 0-10V and Lutron Hi-Lume 1% driver</i>
<b>F6L</b> 6" Aperture		<b>100</b> 0-10V, 1000 lm	
		<b>7C</b> Lutron LDE1 <sup>1</sup> , 750 lm	
		<b>10C</b> Lutron LDE1 <sup>1</sup> , 1000 lm	
		<b>7W</b> Lutron L3DA3W <sup>2</sup> , 750 lm	
		<b>10W</b> Lutron L3DA3W <sup>2</sup> , 1000 lm	

\*WHERE EMERGENCY LIGHTING IS REQUIRED.

EMERGENCY LIGHTING COVERAGES TO BE DESIGNED BY IMPLEMENTATION ARCHITECT/ENGINEER TO MEET LOCAL REQUIREMENTS AND IHG BRAND SAFETY STANDARDS.

#### LIGHT ENGINE (Product Code Example: DRD2M7927)

PRODUCT CODE	LUMENS (WATTS)	CRI	OCT	DRIVER
<b>DRD2M</b> Module	<b>7</b> 750 lm (11.8W)	<b>9</b> 93+ CRI	<b>27</b> 2700K	<b>[Blank]</b> Integrated TRIAC/ELV
	<b>10</b> 1000 lm (14.7W)		<b>30</b> 3000K	
			<b>35</b> 3500K	
			<b>40</b> 4000K	

#### TRIM (Product Code Example: DRD2TR4SWH)

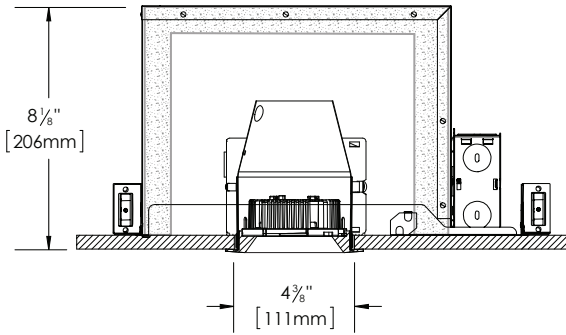
PRODUCT CODE	SHAPE	APERTURE	STYLE	FINISH	OPTION
<b>DRD2T</b> Trim	<b>R</b> Round	<b>4</b> 4" Aperture	<b>S</b> Smooth	<b>WH</b> White	<b>[Blank]</b> None
	<b>S</b> Square <i>Only available in 4" aperture, smooth style</i>	<b>5</b> 5" Aperture	<b>B</b> Baffle	<b>BK</b> Black	
	<b>D</b> Deep <i>Only available in 6" aperture; smooth or baffle style; white, low iridescent or custom finish</i>	<b>6</b> 6" Aperture	<b>W</b> Wall Wash <i>Only available in white finish</i>	<b>SW</b> Silver Reflector, White Flange	
				<b>AZ</b> Low Iridescent Reflector, White Flange <i>Only available in deep shape</i>	
				<b>CC</b> Custom Color	

<sup>1</sup> Lutron LDE1 Dimming refers to Lutron Hi-Lume 1% EcoSystem LED driver with Soft-on, Fade-to-Black™

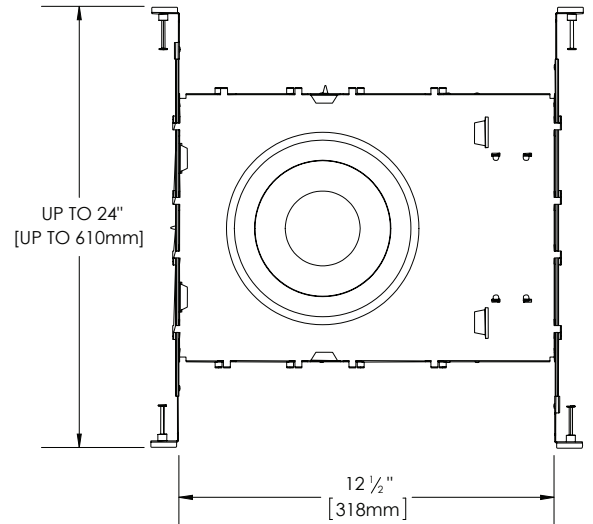
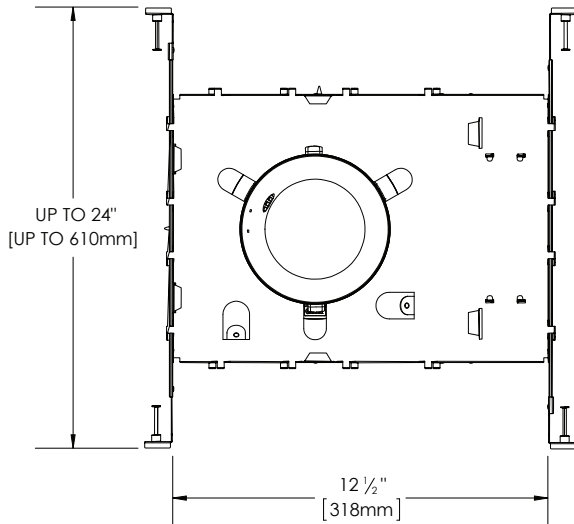
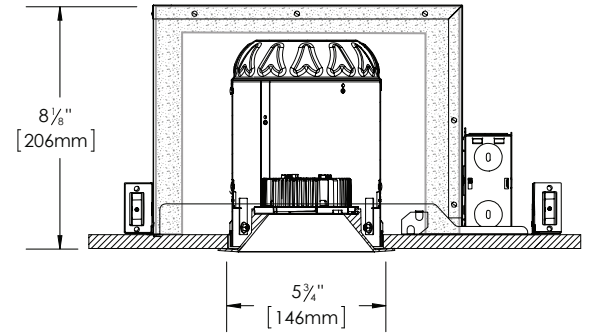
<sup>2</sup> Lutron L3DAE Dimming refers to Lutron Hi-Lume 1% 3-wire LED driver

## FRAME-IN KIT DIMENSIONS

**F4L**  
4" Fire Rated Housing

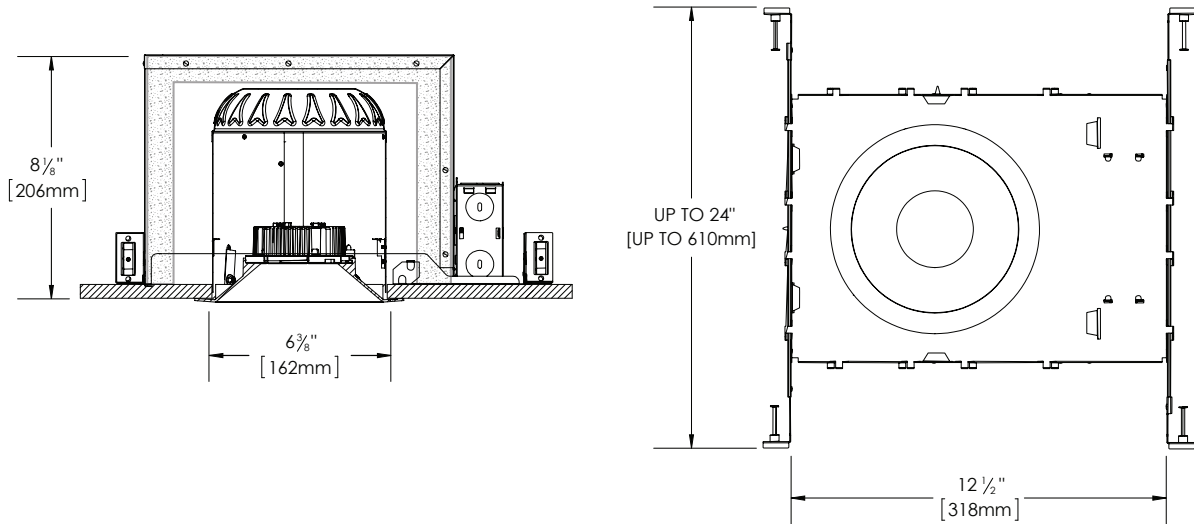


**F5L**  
5" Fire Rated Housing



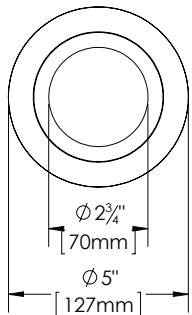
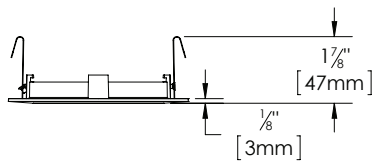
## FRAME-IN KIT DIMENSIONS

### F6L 6" Fire Rated Housing

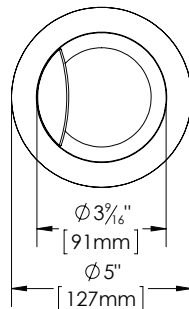
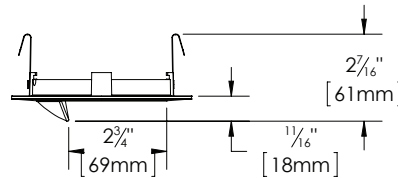


## TRIM DIMENSIONS

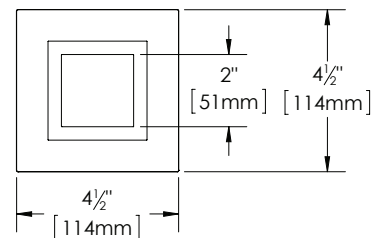
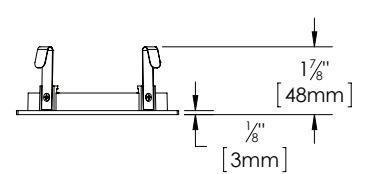
### DRD2TR4 4" Round Trim



### DRD2TR4W 4" Wall Wash Trim

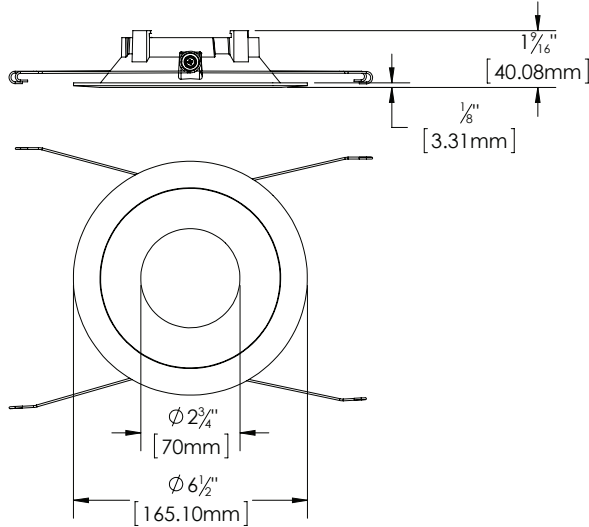


### DRD2TS4 4" Square Trim

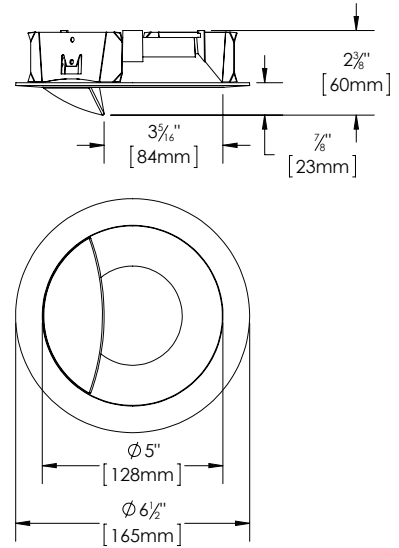


## TRIM DIMENSIONS

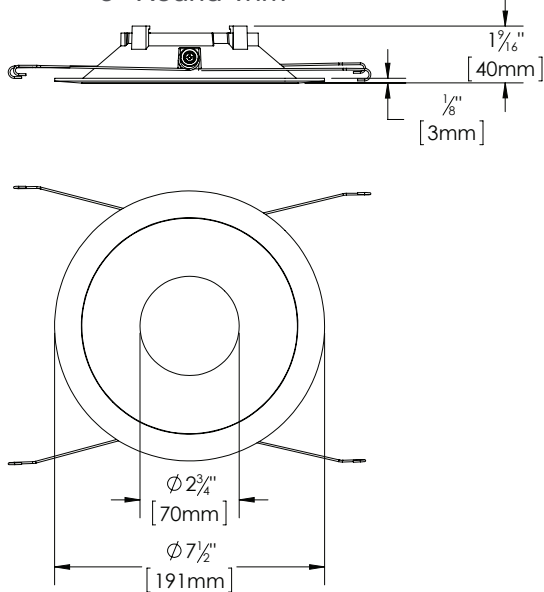
**DRD2TR5**  
5" Round Trim



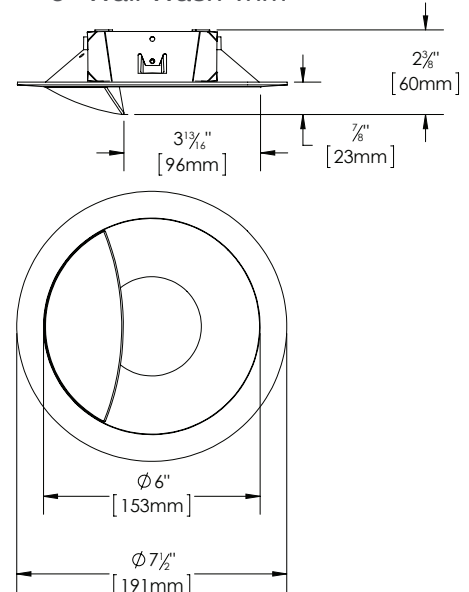
**DRD2TR5W**  
5" Wall Wash Trim



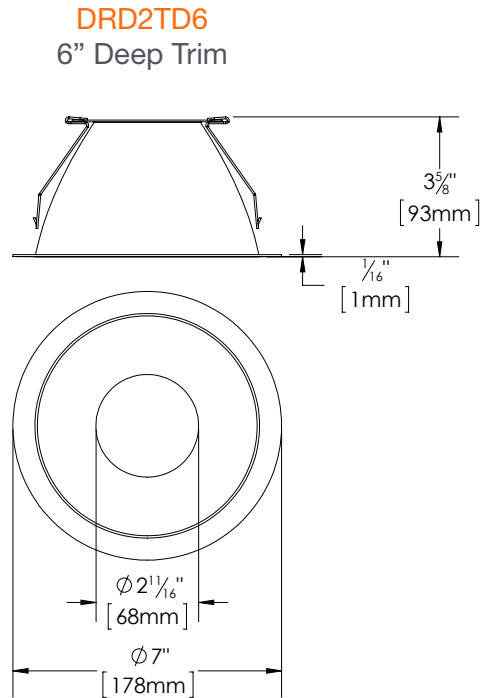
**DRD2TR6**  
6" Round Trim



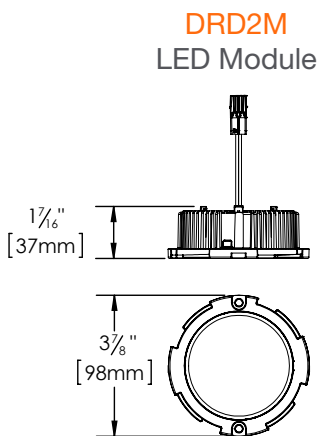
**DRD2TR6W**  
6" Wall Wash Trim



## TRIM DIMENSIONS



## LIGHT ENGINE OVERVIEW



	DRD2M7	DRD2M10
Total Module Lumen Output (lm)	750	1000
Total Rated Power (W)	11.8	14.7
Efficacy (lm/W)	64	68
Color Rendering Index	93+	
CCT Options	2700K, 3000K, 3500K, 4000K	
Optics	Flood	
Binning	2-step SDCM	
Lifetime (L70)	50,000 hours	
Max Ambient Operating Temperature	40°C	
Input Voltage (V)	120/277V, 50/60Hz	
Input Current at 120V (Max)	0.10A	0.13A
Input Current at 277V (Max)	0.042A	0.053A
Power Factor	>0.9	
Total Harmonic Distortion	<20%	
Dimming	100% - 5%	



### DIMMER COMPATIBILITY

#### Recommended Phase-control Dimmers (Dims down to 5% nominal measured light output)

Brand	Series	Model Number	Max Load DRD2M7	Max Load DRD2M10
Control 4	Control 4	C4-APD120	10	9
Cooper	Decorator	DLC03P, DAL06P	25	20
Legrand	Adorne	ADTP703TU	35	30
Lutron	Caseta	PD-6WCL	12	10
	CL Series	AYCL-153, CTCL-153, DVCL-153, LGCL-513, SCL-153, TGCL-513	12	10
	CL Series	AYCL-253, DVCL-253	20	15
	Grafik Eye 3000	QSGR-3P	30	25
	Grafik Sys / Homeworks	RPM-4A	25	20
	Grafik Sys / Homeworks	RPM-4U	30	25
	Maestro CL	MACL-153M, MSCL-OP153M, MSCL-VP153M	12	10
	Maestro Wireless	MRF2-6ELV, MRF2-6CL	12	10

#### Compatible Phase-control Dimmers<sup>1</sup> (Dims down to 20% nominal measured light output)

Brand	Series	Model Number	Max Load DRD2M7	Max Load DRD2M10
Cooper	Slide	SLC03P, SAL06P	25	20
Legrand	Harmony	H703PTU, HCL453P	30	25
Leviton	IllumaTech Slide	IPE04	25	20
	SureSlide	6621, 6674	10	10
Lutron	Diva	DV-600	12	10
	Maestro	MA-600	12	9
	Maestro ELV	MAELV-600, MSCELV-600	35	30
	Maestro Wireless	MRF2-6ND	12	10
	Radio RA	RRD-6NA, RRD-6CL, RRD-6D	12	10
	Power Booster	PHPM-PA, PHPM-WBX	25	20
	Sunrise	SR400RPC120, ZP260QEW	20	15
Watt Stopper	Digital Light Management	LMRC-221	160	150
	Dimming Sensor	PW-100D	14	12

<sup>1</sup> Dimmer compatibility reflects performance compatibility only. Please reference your local codes for application.

OW1464 – WRAP™



Type: **S2** Project:

[VisaLighting.com/products/Wrap](http://VisaLighting.com/products/Wrap)

Order Code: **OW1464**  
MODEL

**A** SOURCE

- **MVOLT**  
**B** VOLTAGE

**BMAT**  
**C** FINISH

**TC**  
**D** OPTION(S)

Fill in shaded boxes using information listed below



Characterized by simplicity of form, with its smooth, clean crescent curve, Wrap provides stunning direct and indirect light. The optional top cover provides a full cutoff solution.

**A SOURCE (Select one) B VOLTAGE**

MVOLT fixture accepts 120 through 277 input voltage  
LED Sources are 82CRI, within 3-step MacAdam and are dimmable 0-10V to 1%

LED Sources	CCT	Delivered Lumens	Power (Watts)	Voltage
L30K-L	3000K	1600	20	MVOLT
L35K-L	3500K	1600		
L40K-L	4000K	1700		
L30K-H	3000K	2400	32	MVOLT
L35K-H	3500K	2500		
L40K-H	4000K	2500		

**C FINISHES (Select one)**

See page 2 for color chart

Powder Coat Painted Finishes (Standard)

<b>AG7038</b> Agate Grey	<b>CVBL</b> Cove Blue	<b>GW9002</b> Grey White	<b>PB1035</b> Pearl Beige
<b>BMAT</b> Bronze Matte	<b>CW9001</b> Cream	<b>HTHR</b> Heather	<b>RUST</b> Rust
<b>BRNZ</b> Bronze	<b>GLIM</b> Glimmer	<b>JB9005</b> Jet Black	<b>SUNG</b> Sungold
<b>BSIL</b> Blade Silver	<b>GSIL</b> Graphite Silver	<b>OBRZ</b> Old Bronze	<b>TW9016</b> Traffic White

**D OPTIONS (Multiple Selections Allowed)**

⚠ Option availability may be interdependent with Voltage, Source or Other Options

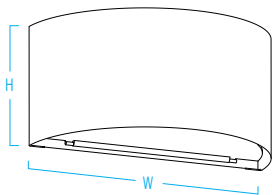
<b>BC</b> Bottom cover, matches finish (creates 90% uplight)
<b>TC</b> Top cover, matches finish (creates 100% downlight for full cut off)

**DIMENSIONS**

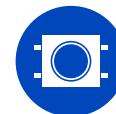
Depth is measured from wall to front of fixture

W = Width H = Height D = Depth

W	15-7/8"	(403 mm)
H	8"	(203 mm)
D	7-7/8"	(200 mm)



IP65 Rated



LED



ETL Listed

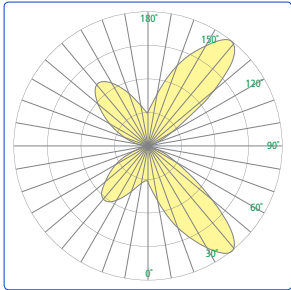


5 Year Warranty

**OW1464 – WRAP**



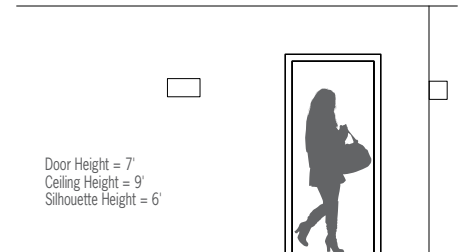
**Photometrics**



**Technical Information**

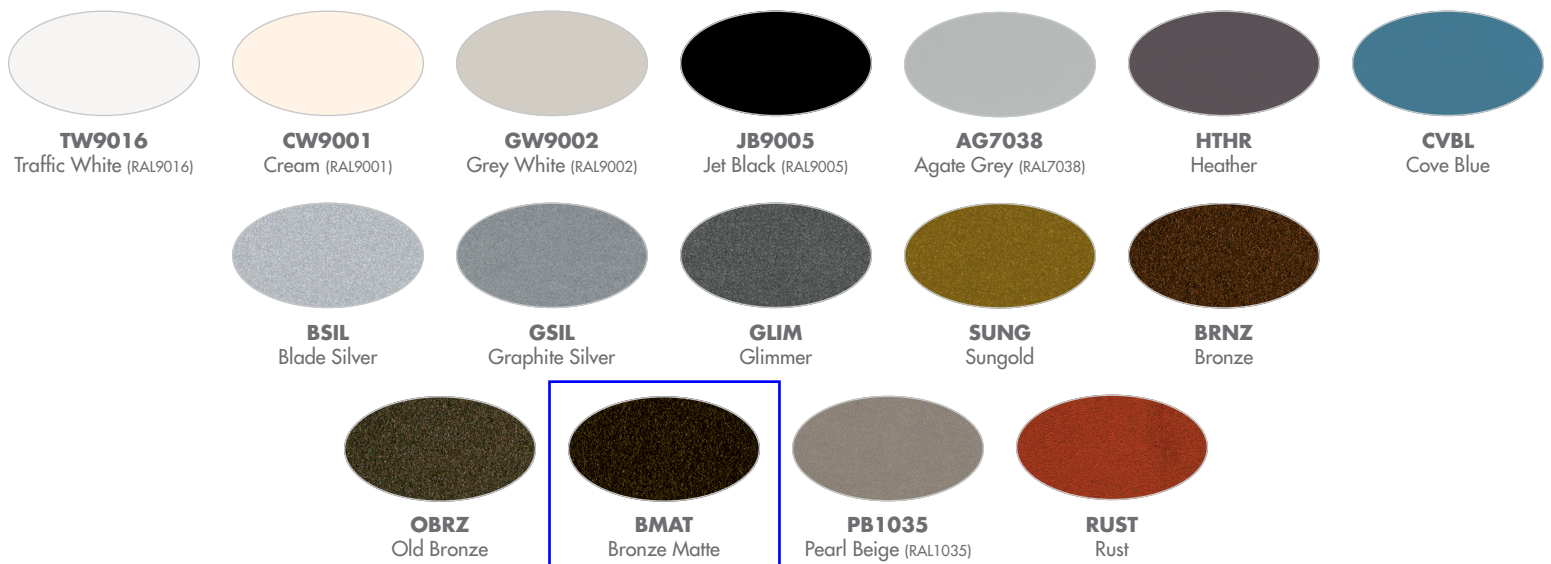
- Top or bottom lens cover options
  - ♦ BC option - 90% uplight & 10% downlight
  - ♦ TC option - 100% downlight
- IP65 rated
- Mounts to standard electrical junction box (by others) with provided hardware
- Rolled aluminum housing
- No VOC powder coat paint
- ETL listed for outdoor wet locations

**Relative Scale Drawing**



Specify color code when ordering. For accurate color matching, individual paint and finish samples are [available upon request](#)  
 For additional information see [VisaLighting.com/materials-finishes](http://VisaLighting.com/materials-finishes)

**Painted Finishes (Standard)**

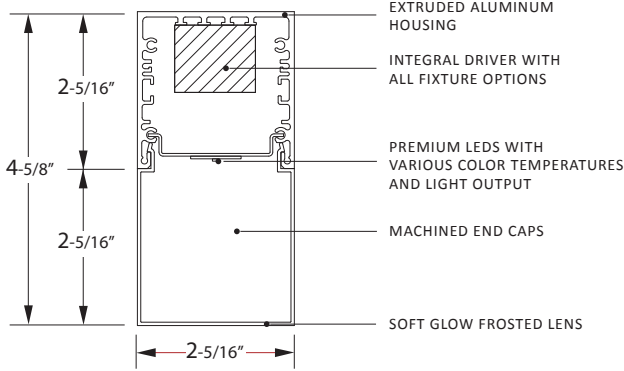


This document contains information which is the property of Visa Lighting, and may not, in whole or in part, be duplicated, disclosed, or used for design or manufacturing purposes without the prior written permission of Visa Lighting. ©Visa Lighting. Design Modification Rights Reserved.

# Hydrogen 2 LED

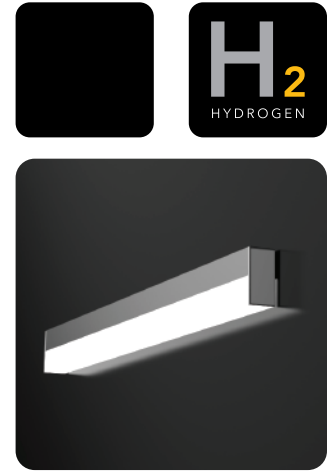
SURFACE MOUNTED (SM)

Type: S3



**FEATURES:**

- Ceiling and wall mounting system
- High transmission frosted lenses with no diode imaging
- No visible fasteners
- Extruded aluminum housing
- Dimmable/Programmable drivers for controllable light output
- High efficacy LEDs with 5 year warranty
- Under 2 steps MacAdams Ellipse Binning
- 3/8" thick machined end caps



**PRODUCT SPECIFICATION**

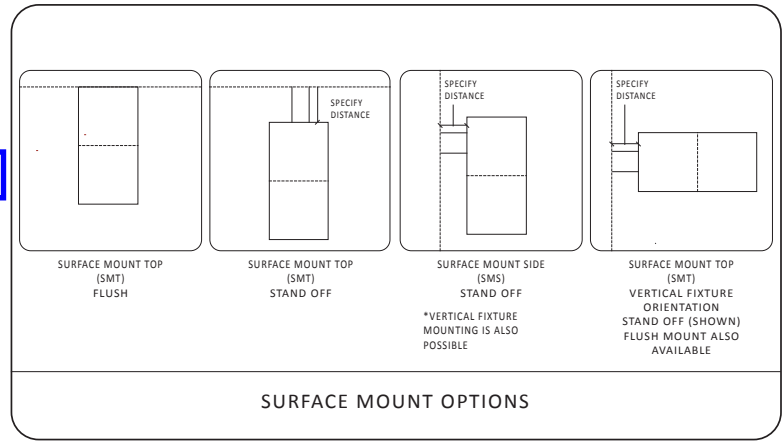
**NOTE:** All options *italicized in gray* may increase lead times and/or incur higher costs - please consult factory with questions.

FIXTURE TYPE	MOUNTING	NOMINAL LENGTH*	COLOR TEMP	LED DRIVE POWER	VOLTAGE	DRIVER	HOUSING FINISH
<b>H2</b> Hydrogen 2	<b>SMS</b> Surface Mount - SIDE <b>SMT</b> Surface Mount - TOP	1' 1'-1-3/8"*** 2' 2'-1-3/8" 3' 3'-1-3/8"*** <b>4' 4'-1-3/8"</b> 5' 5'-1-3/8"*** 6' 6'-1-3/8" 7' 7'-1-3/8"*** 8' 8'-1-3/8" 12' 12'-1-3/8"*** <b>CR</b> Continuous Run (Specify length in nominal feet)	27K 2700K <b>30K 3000K</b> 35K 3500K 40K 4000K 50K 5000K	<b>VLO</b> Very Low Output 475 lumens/ft. (4w/ft.) <b>LO</b> Low Output 720 lumens/ft. (6w/ft.) <b>SO</b> Standard Output 945 lumens/ft. (8w/ft.) <b>HO</b> High Output 1,180 lumens/ft. (10w/ft.) <b>VHO</b> Very High Output 1,375 lumens/ft. (12w/ft.) <b>CPO</b> Custom Power Output Consult factory	<b>UNV</b> Universal <b>1V</b> (120-277v) <b>2V</b> 120v <b>3V</b> 277v 347v*	<b>ND</b> Non-Dimming 0-10v DIMMING <b>10D</b> 10% DIM <b>1D</b> 1% DIM LUTRON <b>LTEA</b> Lutron Hi-Lume 1% (2-Wire) <b>LDE1</b> Lutron EcoSystem 1% "Soft on" (Digital) <b>LDES</b> Lutron EcoSystem 5% 5-Series (Digital) DALI <b>DALI</b> Digital Addressable Lighting Interface	<b>SC</b> Satin Clear Anodize (Standard) <b>SW</b> Satin White (Powder Coat) <b>MB</b> Matte Black (Powder Coat) <b>CF</b> Custom Finish* (Consult factory)

\*Dimensions are for reference only. Contact factory for more specific information or shop drawings.  
\*\*Odd lengths may incur slightly higher per foot pricing.  
\*Not all dimming options are available with 347v.  
\*RAL and color match are available.

HARDWARE* DETAIL FINISH	STAND OFF DISTANCE	OPTIONS/CUSTOMIZATION*
<b>MF</b> Machined Finish (Standard) <i>CF Custom Finish (Consult factory)</i>	<b>0</b> Flush .5 Half inch 1 1" 3 3" 6 6" <b>CU</b> Custom - Specify in inches (IE: CU4.5)	<b>XX</b> No EMB or Customization <b>EMB7</b> 7 Watt battery back-up** (Approximately 600 lumens) <b>EMB12</b> 12 Watt battery back-up** (Approximately 1,000 lumens) <b>90</b> 90+ CR LED BOARDS (2700K - 4000K only) <b>CCP</b> Corners/patterns* <b>CD</b> Custom Driver* <b>CR</b> Customization Requested*

**NOTE:** The MF option is strongly recommended. Other options will result in higher costs and potentially longer lead times.  
\*\*Hardware\* refers to the end caps and knuckles (knuckles only for the "Rotational" option).  
\*Consult factory for all custom options or custom concept requests.  
NOTE: Customization may incur higher costs and/or increased lead times.  
\*\*The EMB12 is slightly more expensive than the EMB7 option (BOTH OPTIONS ARE INTEGRAL).



**SPECIFICATION INFORMATION**

**GENERAL NOTES:**

All fixtures are **UL listed** for **dry** and **damp** locations.  
**INTEGRAL DRIVER** for all options.  
Please contact the factory with any specification questions.  
*Italicized grayed* out options may incur additional costs and/or extended lead times. Please consult the factory.

**DRIVER: [INTEGRAL]**

- 1) NON-DIMMING: As described... this fixture will not dim.
- 2) DIMMING: 0-10v: 1%, 10% :: Lutron: 2-wire Forward phase (Hi-Lume 1%), Ecosystem to 1% (Soft On), Ecosystem to 5% (5 Series). "DALI"- Specify driver. See "Dimming Options" on subsequent pages for more information. For other dimming options, consult the factory.
- 3) EMERGENCY: Specify EMB under the Options/Customization category at the end of the cut sheet along with the desired lumen output (600 or 1,000 lumens - the latter is slightly more costly).
- 4) Drivers are programmed according to our standard lumen packages or to custom watt/lumen package requirements.
- 5) Consult factory with any questions or specification requirements.

**FINISHES:**

The standard finish is a Satin Clear anodized housing with Machine Finished hardware. Machined finish is preferable for machined components (Hardware Detail) - Powder coating these parts may result in additional costs. Consult the factory with any questions about standard or custom finishing options.

**CUSTOMIZATION:**

We have numerous custom options available. However, if there is something unique required for a project, from simple options to complete custom requests, we are more than willing to entertain any creative notions you might have. Just ask.

## LED COMPONENT INFORMATION

- Fixture delivered light potential: 120 Lumens/Watt\*
- Uniform light distribution
- 90+ CRI LED diode options
- Exceptional binning- less than 2 step MacAdams Ellipse
- Minimum 70% initial lumen output at 70,000 hours
- Standard 0-10v dimming to %10
- Lutron, Eldoled, Dali, and other dimming options
- 5 year system warranty

\*Actual fixture efficacy will be dependent on specification. Higher lumens per watt are achieved with lower drive powers. Please contact the factory with questions or for more information.

## LUMEN OUTPUT \*

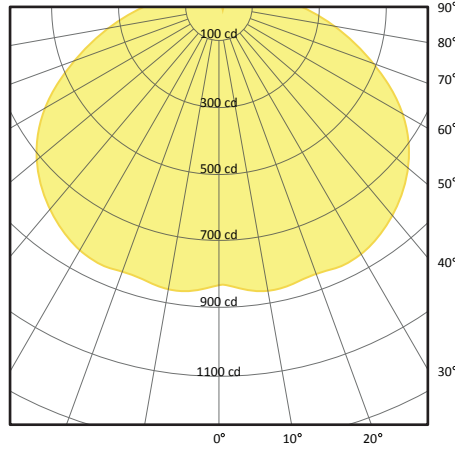
DRIVER OUTPUT	LUMEN OUTPUT (PER FOOT)	
	WATTAGE	LUMENS
VERY LOW (VLO)	4	475
LOW (LO)	6	720
STANDARD (SO)	8	945
HIGH (HO)	10	1,180
VERY HIGH (VHO)	12	1,375

DRIVER OUTPUT	PER 4' FIXTURE (TOTAL DELIVERED LUMENS)	
	WATTAGE	LUMENS
VERY LOW (VLO)	16	1,900
LOW (LO)	24	2,880
STANDARD (SO)	32	3,780
HIGH (HO)	40	4,720
VERY HIGH (VHO)	48	5,500

- **VERY LOW:** Considerably underdrives the LEDs to maximize fixture efficacy potential and limit wattage use.
- **LOW:** Underdrives the LEDs for reasonable light output while maintaining low wattage use.
- **STANDARD:** Drives the LEDs for the best combination of lumen output and fixture efficacy.
- **HIGH:** Drive the LEDs at higher capacity for higher lumen output with good efficacy.
- **VERY HIGH:** Drives the LEDs at the highest capacity for the highest lumen output with the best efficacy.

\*Lumen output will vary depending on ambient temperature. Cooler ambient and LED color temperatures result in higher luminaire performance. Calculations are based on 3500K LEDs.

## LUMINOUS INTENSITY DISTRIBUTION



## FIXTURE PROPERTIES (AS TESTED)

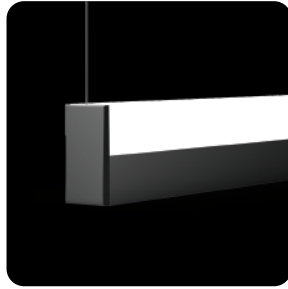
- 4' nominal length fixture
- Standard Output (SO)
- Total system energy consumption: 32 Watt
- 120 Lumens/Watt
- 4000K 80 CRI LED

## ZONAL LUMEN SUMMARY

ZONE	LUMEN	%LAMP	%FIXTURE
0 - 30	659	15.3%	18.3%
0 - 40	1,103	25.5%	30.6%
0 - 60	2,077	48.1%	57.6%
0 - 90	3,065	71%	85%
90 - 120	359	8.3%	10%
90 - 150	514	11.9%	14.3%
90 - 180	540	12.5%	15%
0 - 180	3,605	83.5%	100%



## MOUNTING



### CABLE SUSPENDED (CS)

3/64" aircraft cable suspension system. Hydrogen 2 (H2) can be static down-light: Direct (CSD) or static up-light: Indirect (CSI). Standard and custom power cord finishes, sleeve options, and canopy colors offer options to match almost any space. Stainless steel cables come in various lengths (4' is standard) and are field adjustable.



### SURFACE MOUNT (SM)

Side Mount Side (SMS) or Side Mount Top (SMT). Side, the fixture is mounted on the wall. Top, the fixture is mounted on the ceiling. Both Side and Top give a static down-light. Top or Side Mount specification denotes the power feed location(s). Optional stand-offs allows for fixtures to be mounted from 1/2" to 12" as well as custom lengths if needed.



Made in the USA

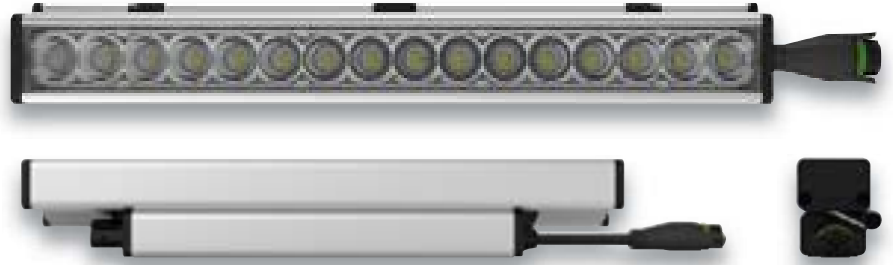


DATE <b>03/12</b>	PROJECT	FIRM	TYPE
-------------------	---------	------	------

THE L50 INCLUDES PATENTED OPTICAL DESIGN THAT DELIVERS THE WIDEST RANGE OF BEAM ANGLE OPTIONS FOR PRECISE COVE, WALL GRAZING, WALL WASHING OR LINE OF LIGHT APPLICATIONS. EXCLUSIVE FLIP TO FLAT™ HINGE DESIGN PROVIDES FLEXIBILITY WHEN MANAGING SMALL COVE DETAILS. TROV OFFERS SMOOTH, FLICKER FREE DIMMING DOWN TO 0%.

**FEATURES :**

- DIM TO 0%, ELV REVERSE PHASE
- 24 BEAM ANGLES
- MULTI-VOLT
- FLIP TO FLAT™
- 6 CCT OPTIONS
- 80+ AND 90+ CRI OPTIONS
- IP54 INTERIOR AND IP66 EXTERIOR OPTIONS



MODEL/ SIZE	INTERIOR/ EXTERIOR	LENGTH	POWER	CCT	CRI	VOLTAGE	OPTICS
L50	E	12" 48"	02 04 <b>06</b> 08 10 12	<b>WHITE CCT</b> 22 27 <b>30</b> 35 40 50	<b>MONO COLOR</b> GR**** BL AM RD***	<b>80</b> 90* Blank For Color	<b>MULT (120-277V)</b>  <b>GRAZING</b> 9 x 9 9 x 17 9 x 20 <b>9 x 59</b> 15 x 15 15 x 23 15 x 35 15 x 65  <b>COVE</b> 120** Asym  <b>LINE OF LIGHT</b> LOL  <b>WASHING</b> 25 x 25 25 x 33 25 x 45 25 x 75 39 x 9 55 x 25 40 x 40 40 x 48 40 x 60 40 x 90 45 x 15 70 x 40 70 x 70

**EXAMPLE:** L50-I-48-10-27-90-MULT-15x65 \*90 CRI not available in 2200K or 5000K \*\*120 is only available with Exterior option. See L35 spec sheet for interior cove options. \*\*\*Red is not available in 12W or 10W. \*\*\*\*Green is not available in 12W.

PERFORMANCE	WATTS	OPTIC	LUMEN OUTPUT	EFFICACY
	2W	9°x 29°	110 lm/LF ( 361 lm/m )	55 lm/W
	4W	9°x 29°	302 lm/LF ( 1037 lm/m )	76 lm/W
	6W	9°x 29°	482 lm/LF ( 1614 lm/m )	80 lm/W
	8W	9°x 29°	675 lm/LF ( 2224 lm/m )	84 lm/W
	10W	9°x 29°	785 lm/LF ( 2644 lm/m )	79 lm/W
	12W	9°x 29°	923 lm/LF ( 3109 lm/m )	77 lm/W

ALL LUMEN DATA IS FROM 4000K 80CRI FIXTURES. PLEASE SEE PHOTOMETRY SPEC SHEET FOR ADDITIONAL LUMEN DATA.

<b>COLOR RENDERING INDEX</b>	80+, 90+					*CALCULATIONS FOR LED FIXTURES ARE BASED ON MEASUREMENTS THAT COMPLY WITH IES LM-80 TESTING PROCEDURES AND IES TM-21 CALCULATOR
<b>COLOR CONSISTENCY</b>	2-STEP MACADAM ELLIPSE					
<b>LUMEN DEPRECIATION / RATED LIFE</b>	WATTS	L70 @ 25C	L70 @ 50C	L90 @ 25C	L90 @ 50C	
	2W-12W	>150,000	>70,000	>50,000	>25,000	

\* CALCULATIONS FOR LED FIXTURES ARE BASED ON MEASUREMENTS THAT COMPLY WITH IES LM-80 TESTING PROCEDURES AND IES TM-21 CALCULATOR

<b>ELECTRICAL</b>	<b>POWER CONSUMPTION</b>	2W*/LF (6.6W/M); 4W/LF (13.2W/M); 6W/LF (19.8W/M); 8W/LF (26.4W/M); 10W/LF (33W/M); 12W/FL (39.6W/M) * 3W*/LF (9.9W/M) at 220V -277V
-------------------	--------------------------	---

<b>MAX FIXTURE RUN LENGTH</b>		2W/LF	4W/LF	6W/LF	8W/LF	10W/LF	12W/LF
	Volts	Max Run all 1'	Max Run all 4'	Max Run all 1'	Max Run all 4'	Max Run all 1'	Max Run all 4'
	120	214	214	186	186	152	152
	220	374	392	340	340	277	277
	277	374	494	374	428	349	349

<b>POWER FACTOR</b>	4W, 6W, 8W, 10W, 12W >0.9, 2W<0.9
<b>OPERATING VOLTAGE</b>	MULTIVOLT: 110-277VAC, 50/60 Hz
<b>DRIVER</b>	INTEGRAL TO FIXTURE; DE-RATED POWER AND SYNCHRONOUS START-UP AT FULL BRIGHTNESS
<b>STARTUP TEMPERATURE</b>	-40°F TO 122°F (-40°C TO 50°C)
<b>OPERATING TEMPERATURE</b>	-40°F TO 122°F (-40°C TO 50°C)
<b>STORAGE TEMPERATURE</b>	-40°F TO 176°F (-40°C TO 80°C)

ECOSENSE LIGHTING INC.  
837 NORTH SPRING STREET  
SUITE 103  
LOS ANGELES, CA 90012

P • 310.496.6255  
F • 310.496.6256  
T • 855.632.6736  
855.6.ECOSEN

SPECIFICATIONS SUBJECT TO CHANGE WITHOUT NOTICE. VISIT [ECOSENSELIGHTING.COM](http://ECOSENSELIGHTING.COM) FOR THE MOST CURRENT SPECIFICATIONS.  
© 2017 ECOSENSE LIGHTING INC. ALL RIGHTS RESERVED. ECOSENSE, THE ECOSENSE LOGO, RISE, TROV, SLIM COVE AND ECOSPEC ARE REGISTERED TRADEMARKS OF ECOSENSE LIGHTING INC.  
FREEDOM TO CREATE™

ECOSENSELIGHTING.COM

DATE <b>03/12</b>	PROJECT	FIRM	TYPE
-------------------	---------	------	------

<b>CONTROL</b>	<b>DIMMING</b>	110-277VAC, ELV TYPE 0.07%-100%, REVERSE PHASE, TRAILING EDGE
<b>PHYSICAL</b>	<b>DIMENSIONS</b>	W 1.6" x H 2" x L 12"/48" ; (41.6mm x 50.5mm x 304.7mm/1201mm)
	<b>HOUSING /LENS</b>	EXTRUDED ALUMINUM; UV STABILIZED POLYCARBONATE; STAINLESS STEEL FASTENERS; PLASTIC ENDCAPS RUBBER OVERMOLD FOR CABLE ASSEMBLY
	<b>WEIGHT</b>	1.52LBS / 0.69KG (1FT) ; 4.95LBS / 2.25KG (4FT)
	<b>CONNECTORS</b>	INTEGRAL MALE/ FEMALE CONNECTORS
	<b>ENVIRONMENT</b>	INDOOR • ETL CERTIFIED FOR DRY/DAMP LOCATIONS IP54 OUTDOOR • ETL CERTIFIED FOR WET LOCATIONS IP66 IMPACT RATED TO IK10
	<b>BEAM ANGLE</b>	GRAZING, WASHING, COVE, ASYMMETRIC, LINE OF LIGHT
	<b>MOUNTING OPTIONS</b>	INTEGRAL MOUNTING AND ADJUSTABLE AIMING FROM 0°-180° IN 15° INCREMENTS

<b>FIXTURE RATING &amp; CERTIFICATIONS</b>	CE, ETL CERTIFIED RoHS COMPLIANT ENERGY STAR COMPLIANT DLC COMPLIANT RCM CERTIFIED	    
--	--	--

**LIMITED WARRANTY 5 YEARS**

**WIRING OPTIONS (MVOLT): 110-277VAC**

Power Cable Assembly, TROV, Leader/Jumper, 10 foot.....	CBL-3P-L-UNV-10*
Power Cable Assembly, TROV, Leader/Jumper, 50 foot.....	CBL-3P-L-UNV-50*
Power Cable Assembly, TROV, Jumper, 5 foot.....	CBL-3P-L-UNV-05**
Power Cable Assembly, TROV, Jumper, 1 foot.....	CBL-3P-L-UNV-01**
Power Cable Assembly, TROV, Male and Female terminator caps.....	CBL-3P-L-UNV-CAPS

\*Two (2) terminators are included with the 10' and 50' power cable. One Leader need per circuit/fixture run. Cables are not plenum rated.  
\*\* If using the 5' or 1' power cable assembly as a leader to power a run one set of CBL-3P-L-UNV-CAPS will also be need per cable.

**0-10V CONTROL OPTIONS**

100-120VAC / 277VAC Linear Dimming Control Module 0-10V - Plenum Rated ..... LDCM-PL-120-277-010V-GR  
All products come standard with ELV dimming capabilities. 0-10V Control options required for operation at 0-10V.

**OPTIONAL ACCESSORIES**

**Mounting**

Mounting Track and Clips Set, 48 Inch Track, 8 Clips.....	MNT-L-TRKCLIP-48	48" track and clips set will work with one 48" fixture or four 12" fixtures.
Mounting Track and Clips Set, 12 Inch Track, 2 Clips.....	MNT-L-TRKCLIP-12	12" track will not work with 48" fixtures.
Mounting Track Clip, TROV, Set of 2.....	MNT-L-CLIP	Clips needed = 12" fixtures need 1 set of 2 and 48" fixture needs 2 sets of 2.
90 Degree L bracket, TROV, Set of 2.....	MNT-L-LBKT	L-Brackets needed = 12" fixtures need 1 set of 2 and 48" fixture needs 1 set of 2.
Angle Locking Clip, TROV, Pack of 10.....	MNT-L-ANGLOCK	Angle Locks needed = 12" fixtures need 1 and 48" fixtures need 2. (Included with fixtures)
Mounting, Fine Adjustment Bracket, TROV.....	MNT-L-FAB	Fine Adjustment Brackets needed = 12" fixtures need 1 and 48" fixtures need 2. *Fine Adjustment Bracket is highly recommended for Grazing Optics.
Mounting, Fine Adjustment L-Bracket, TROV.....	MNT-L-LFAB	Fine Adjustment L-Brackets needed = 12" fixtures need 1 and 48" fixtures need 2. *Fine Adjustment L-Bracket is recommended for Asymetric Optics when aiming is needed.

**Snap-on Lenses**

Snap-on Lens, Frosted, 12 inch, L50.....	LENS-L50-FROST-12	Snap-on Lenses need = One 12" lens is needed per 12" fixture and one 48" lens is needed per 48" fixture. Snap on Lenses will not work with the asymmetric fixture. Clear lenses can be used to hold colored filters to customize the output color of any TROV fixture, except the ASYM. Color filters supplied by others.
Snap-on Lens, Frosted, 48 inch, L50.....	LENS-L50-FROST-48	
Snap-on Lens, Clear, 12 inch, L50.....	LENS-L50-CLEAR-12	
Snap-on Lens, Clear, 48 inch, L50.....	LENS-L50-CLEAR-48	

**Wall Mount Arm**

Wall Mount Arm, 6 inch, TROV.....	WMA-L-CA-06	Wall Mount Arms needed = For individual fixture installations two arms and one end set will be needed per fixture. For continuous run installation one endset will be needed per run. Each end set contains one left and one right end plate. One joining set will be needed per joint. One arm per fixture will be need plus one extra arm to complete the run. For example: A 10ft run made with two 4ft and two 1ft fixtures will contain; 1 x WMA-L-END, 3 x WMA-L-JNR, and 5 x WMA-L-CA-12. Leader cables are not included with wall mount arms, end sets, or joiners sets.
Wall Mount Arm, 12 inch, TROV.....	WMA-L-CA-12	
Wall Mount Arm, 18 inch, TROV.....	WMA-L-CA-18	
Wall Mount Arm, 24 inch, TROV.....	WMA-L-CA-24	
Wall Mount Arm End Plate Set, TROV, Includes Left and Right.....	WMA-L-END	
Wall Mount Arm Joiner Plate, TROV.....	WMA-L-JNR	

**Louvers**

Louver, Asymmetric, 12 inch, L50.....	LV-L50-ASYM-12	Louvers Needed = One 12" louver is needed per 12" fixture and one 48" louver is needed per 48" fixture. 48" louver is made up of four 12" louvers. Louvers cannot be used with the asymmetric fixture
Louver, Asymmetric, 48 inch, L50.....	LV-L50-ASYM-48	
Louver, Symmetric, 12 inch, L50.....	LV-L50-SYM-12	
Louver, Symmetric, 48 inch, L50.....	LV-L50-SYM-48	
Louver, Honeycomb, 12 inch, L50.....	LV-L50-HCOMB-12	
Louver, Honeycomb, 48 inch, L50.....	LV-L50-HCOMB-48	

DATE <b>03/13</b>	PROJECT	FIRM	TYPE
-------------------	---------	------	------

**OPTIONAL ACCESSORIES**

**Masking Plates**

Masking Plate, 3 inch high, 12 inch, L50 & L35 ..... <b>MP-L50-3H-12</b>	Masking Plates needed = One 12" lens is needed per 12" fixture and one 48" lens is needed per 48" fixture.
Masking Plate, 3 inch high, 48 inch, L50 & L35 ..... <b>MP-L50-3H-48</b>	

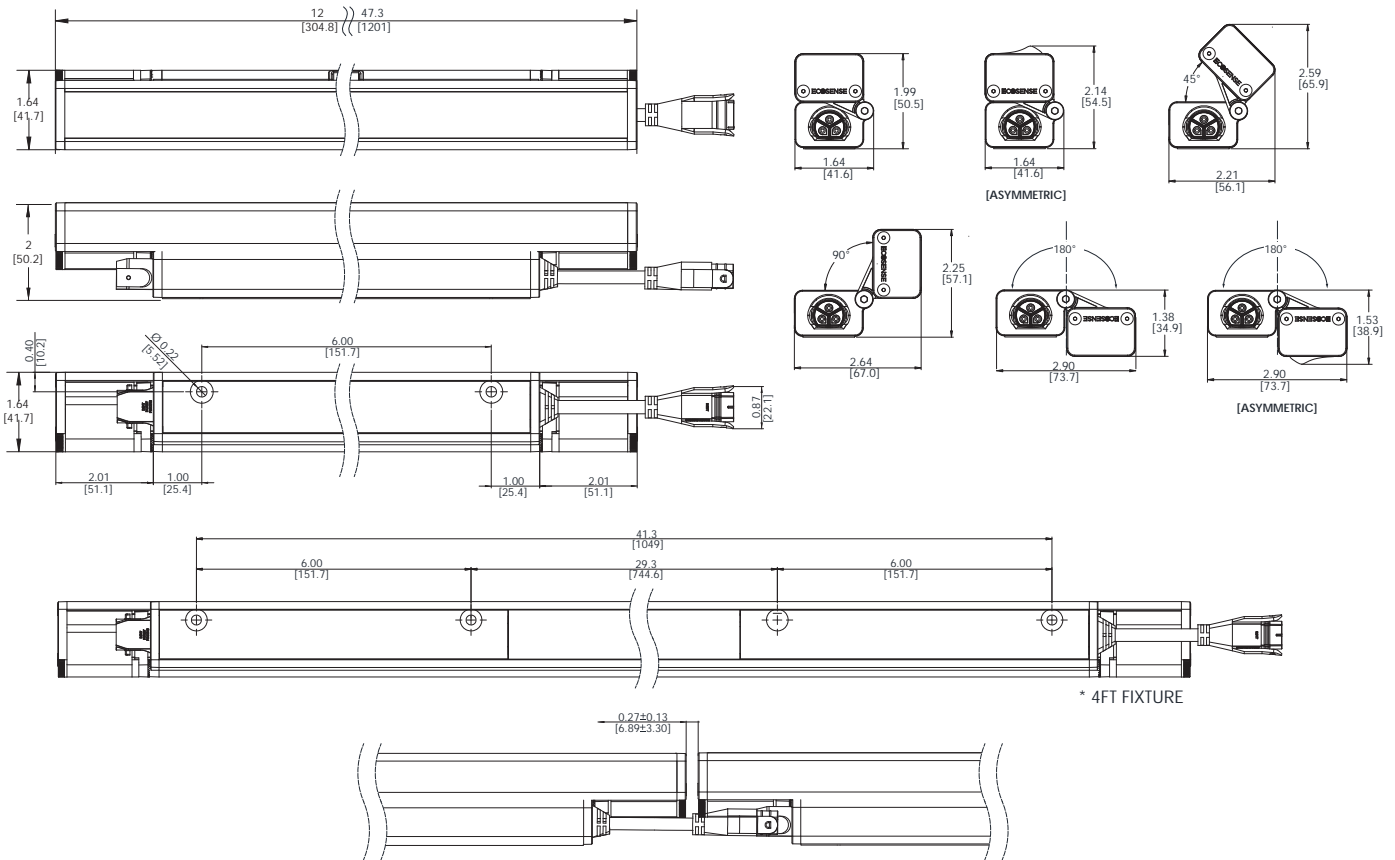
**Landscape Stake**

Landscape Stake, 6 inch, TROV, Set of 2 ..... <b>LS-L-STK-06</b>	Landscape Stakes needed = 12" and 48" fixtures both need one set of 2.
Landscape Stake, 12 inch, TROV, Set of 2 ..... <b>LS-L-STK-12</b>	
Landscape Stake, 18 inch, TROV, Set of 2 ..... <b>LS-L-STK-18</b>	

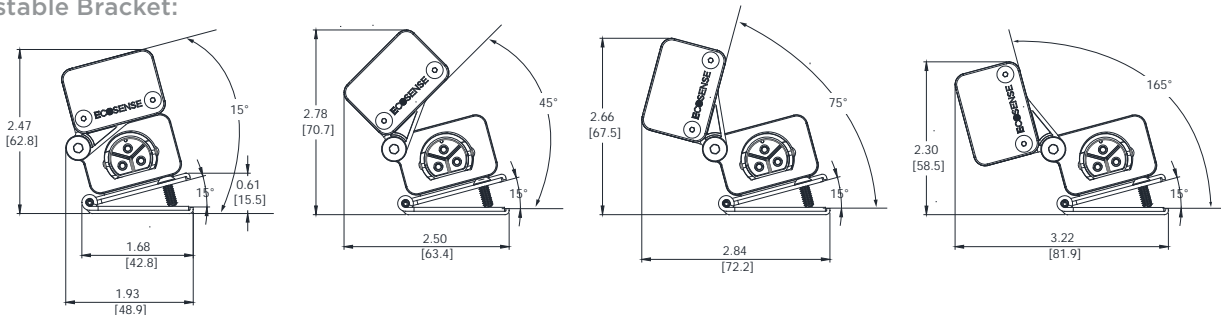
**Wire Box**

Conduit Connection, Wire Box, TROV, Interior Only, L50 ..... <b>CC-L-WIREBOX</b>	Wire box can be used instead of a leader cable to start a run. 1/2" conduit fitting can attach directly to the box on one end and the fixture to the other.
--	---

**DIMENSIONS + MOUNTING**



**Fine Adjustable Bracket:**



DATE <b>03/12</b>	PROJECT	FIRM	TYPE
-------------------	---------	------	------

THE L50 INCLUDES PATENTED OPTICAL DESIGN THAT DELIVERS THE WIDEST RANGE OF BEAM ANGLE OPTIONS FOR PRECISE COVE, WALL GRAZING, WALL WASHING OR LINE OF LIGHT APPLICATIONS. EXCLUSIVE FLIP TO FLAT™ HINGE DESIGN PROVIDES FLEXIBILITY WHEN MANAGING SMALL COVE DETAILS. TROV OFFERS SMOOTH, FLICKER FREE DIMMING DOWN TO 0%.

**FEATURES :**

- DIM TO 0%, ELV REVERSE PHASE
- 24 BEAM ANGLES
- MULTI-VOLT
- FLIP TO FLAT™
- 6 CCT OPTIONS
- 80+ AND 90+ CRI OPTIONS
- IP54 INTERIOR AND IP66 EXTERIOR OPTIONS



MODEL/ SIZE	INTERIOR/ EXTERIOR	LENGTH	POWER	CCT	CRI	VOLTAGE	OPTICS
L50	E	12" 48"	02 04 <b>06</b> 08 10 12	WHITE CCT 22 27 <b>30</b> 35 40 50	MONO COLOR GR**** BL AM RD***	<b>80</b> 90* Blank For Color	MULT (120-277V)  GRAZING 9 x 9 9 x 17 9 x 20 <b>9 x 59</b> 15 x 15 15 x 23 15 x 35 15 x 65  COVE 120** Asym  LINE OF LIGHT LOL  WASHING 25 x 25 25 x 33 25 x 45 25 x 75 39 x 9 55 x 25 40 x 40 40 x 48 40 x 60 40 x 90 45 x 15 70 x 40 70 x 70

**EXAMPLE:** L50-I-48-10-27-90-MULT-15x65 \*90 CRI not available in 2200K or 5000K \*\*120 is only available with Exterior option. See L35 spec sheet for interior cove options. \*\*\*Red is not available in 12W or 10W. \*\*\*\*Green is not available in 12W.

PERFORMANCE	WATTS	OPTIC	LUMEN OUTPUT	EFFICACY
	2W	9°x 29°	110 lm/LF ( 361 lm/m )	55 lm/W
	4W	9°x 29°	302 lm/LF ( 1037 lm/m )	76 lm/W
	6W	9°x 29°	482 lm/LF ( 1614 lm/m )	80 lm/W
	8W	9°x 29°	675 lm/LF ( 2224 lm/m )	84 lm/W
	10W	9°x 29°	785 lm/LF ( 2644 lm/m )	79 lm/W
	12W	9°x 29°	923 lm/LF ( 3109 lm/m )	77 lm/W

ALL LUMEN DATA IS FROM 4000K 80CRI FIXTURES. PLEASE SEE PHOTOMETRY SPEC SHEET FOR ADDITIONAL LUMEN DATA.

<b>COLOR RENDERING INDEX</b>	80+, 90+				
<b>COLOR CONSISTENCY</b>	2-STEP MACADAM ELLIPSE				
<b>LUMEN DEPRECIATION / RATED LIFE</b>	WATTS	L70 @ 25C	L70 @ 50C	L90 @ 25C	L90 @ 50C
	2W-12W	>150,000	>70,000	>50,000	>25,000

\*CALCULATIONS FOR LED FIXTURES ARE BASED ON MEASUREMENTS THAT COMPLY WITH IES LM-80 TESTING PROCEDURES AND IES TM-21 CALCULATOR

<b>ELECTRICAL</b>	<b>POWER CONSUMPTION</b>	2W*/LF (6.6W/M); 4W/LF (13.2W/M); 6W/LF (19.8W/M); 8W/LF (26.4W/M); 10W/LF (33W/M); 12W/FL (39.6W/M) * 3W*/LF (9.9W/M) at 220V -277V
-------------------	--------------------------	---

<b>MAX FIXTURE RUN LENGTH</b>		2W/LF	4W/LF	6W/LF	8W/LF	10W/LF	12W/LF
	Volts	Max Run all 1'	Max Run all 4'	Max Run all 1'	Max Run all 4'	Max Run all 1'	Max Run all 4'
	120	214	214	186	186	152	152
	220	374	392	340	340	277	277
	277	374	494	374	428	349	349

<b>POWER FACTOR</b>	4W, 6W, 8W, 10W, 12W >0.9, 2W<0.9
<b>OPERATING VOLTAGE</b>	MULTIVOLT: 110-277VAC, 50/60 Hz
<b>DRIVER</b>	INTEGRAL TO FIXTURE; DE-RATED POWER AND SYNCHRONOUS START-UP AT FULL BRIGHTNESS
<b>STARTUP TEMPERATURE</b>	-40°F TO 122°F (-40°C TO 50°C)
<b>OPERATING TEMPERATURE</b>	-40°F TO 122°F (-40°C TO 50°C)
<b>STORAGE TEMPERATURE</b>	-40°F TO 176°F (-40°C TO 80°C)

DATE <b>03/12</b>	PROJECT	FIRM	TYPE
-------------------	---------	------	------

<b>CONTROL</b>	<b>DIMMING</b>	110-277VAC, ELV TYPE 0.07%-100%, REVERSE PHASE, TRAILING EDGE
<b>PHYSICAL</b>	<b>DIMENSIONS</b>	W 1.6" x H 2" x L 12"/48" ; (41.6mm x 50.5mm x 304.7mm/1201mm)
	<b>HOUSING /LENS</b>	EXTRUDED ALUMINUM; UV STABILIZED POLYCARBONATE; STAINLESS STEEL FASTENERS; PLASTIC ENDCAPS RUBBER OVERMOLD FOR CABLE ASSEMBLY
	<b>WEIGHT</b>	1.52LBS / 0.69KG (1FT) ; 4.95LBS / 2.25KG (4FT)
	<b>CONNECTORS</b>	INTEGRAL MALE/ FEMALE CONNECTORS
	<b>ENVIRONMENT</b>	INDOOR • ETL CERTIFIED FOR DRY/DAMP LOCATIONS IP54 OUTDOOR • ETL CERTIFIED FOR WET LOCATIONS IP66 IMPACT RATED TO IK10
	<b>BEAM ANGLE</b>	GRAZING, WASHING, COVE, ASYMMETRIC, LINE OF LIGHT
	<b>MOUNTING OPTIONS</b>	INTEGRAL MOUNTING AND ADJUSTABLE AIMING FROM 0°-180° IN 15° INCREMENTS

**FIXTURE RATING & CERTIFICATIONS**

CE, ETL CERTIFIED  
RoHS COMPLIANT  
ENERGY STAR COMPLIANT  
DLC COMPLIANT  
RCM CERTIFIED



**LIMITED WARRANTY 5 YEARS**

**WIRING OPTIONS (MVOLT): 110-277VAC**

Power Cable Assembly, TROV, Leader/Jumper, 10 foot.....	CBL-3P-L-UNV-10*
Power Cable Assembly, TROV, Leader/Jumper, 50 foot.....	CBL-3P-L-UNV-50*
Power Cable Assembly, TROV, Jumper, 5 foot.....	CBL-3P-L-UNV-05**
Power Cable Assembly, TROV, Jumper, 1 foot.....	CBL-3P-L-UNV-01**
Power Cable Assembly, TROV, Male and Female terminator caps.....	CBL-3P-L-UNV-CAPS

\*Two (2) terminators are included with the 10' and 50' power cable. One Leader need per circuit/fixture run. Cables are not plenum rated.  
\*\* If using the 5' or 1' power cable assembly as a leader to power a run one set of CBL-3P-L-UNV-CAPS will also be need per cable.

**0-10V CONTROL OPTIONS**

100-120VAC / 277VAC Linear Dimming Control Module 0-10V - Plenum Rated ..... LDCM-PL-120-277-010V-GR  
All products come standard with ELV dimming capabilities. 0-10V Control options required for operation at 0-10V.

**OPTIONAL ACCESSORIES**

**Mounting**

Mounting Track and Clips Set, 48 Inch Track, 8 Clips.....	MNT-L-TRKCLIP-48	.....48" track and clips set will work with one 48" fixture or four 12" fixtures.
Mounting Track and Clips Set, 12 Inch Track, 2 Clips.....	MNT-L-TRKCLIP-12	.....12" track will not work with 48" fixtures.
Mounting Track Clip, TROV, Set of 2.....	MNT-L-CLIP	.....Clips needed = 12" fixtures need 1 set of 2 and 48" fixture needs 2 sets of 2.
90 Degree L bracket, TROV, Set of 2.....	MNT-L-LBKT	.....L-Brackets needed = 12" fixtures need 1 set of 2 and 48" fixture needs 1 set of 2.
Angle Locking Clip, TROV, Pack of 10.....	MNT-L-ANGLOCK	.....Angle Locks needed = 12" fixtures need 1 and 48" fixtures need 2. (Included with fixtures)
Mounting, Fine Adjustment Bracket, TROV.....	MNT-L-FAB	.....Fine Adjustment Brackets needed = 12" fixtures need 1 and 48" fixtures need 2. *Fine Adjustment Bracket is highly recommended for Grazing Optics.
Mounting, Fine Adjustment L-Bracket, TROV.....	MNT-L-LFAB	.....Fine Adjustment L-Brackets needed = 12" fixtures need 1 and 48" fixtures need 2. *Fine Adjustment L-Bracket is recommended for Asymetric Optics when aiming is needed.

**Snap-on Lenses**

Snap-on Lens, Frosted, 12 inch, L50.....	LENS-L50-FROST-12	Snap-on Lenses need = One 12" lens is needed per 12" fixture and one 48" lens is needed per 48" fixture. Snap on Lenses will not work with the asymmetric fixture. Clear lenses can be used to hold colored filters to customize the output color of any TROV fixture, except the ASYM. Color filters supplied by others.
Snap-on Lens, Frosted, 48 inch, L50.....	LENS-L50-FROST-48	
Snap-on Lens, Clear, 12 inch, L50.....	LENS-L50-CLEAR-12	
Snap-on Lens, Clear, 48 inch, L50.....	LENS-L50-CLEAR-48	

**Wall Mount Arm**

Wall Mount Arm, 6 inch, TROV.....	WMA-L-CA-06	Wall Mount Arms needed = For individual fixture installations two arms and one end set will be needed per fixture. For continuous run installation one endset will be needed per run. Each end set contains one left and one right end plate. One joining set will be needed per joint. One arm per fixture will be need plus one extra arm to complete the run. For example: A 10ft run made with two 4ft and two 1ft fixtures will contain; 1 x WMA-L-END, 3 x WMA-L-JNR, and 5 x WMA-L-CA-12. Leader cables are not included with wall mount arms, end sets, or joiners sets.
Wall Mount Arm, 12 inch, TROV.....	WMA-L-CA-12	
Wall Mount Arm, 18 inch, TROV.....	WMA-L-CA-18	
Wall Mount Arm, 24 inch, TROV.....	WMA-L-CA-24	
Wall Mount Arm End Plate Set, TROV, Includes Left and Right.....	WMA-L-END	
Wall Mount Arm Joiner Plate, TROV.....	WMA-L-JNR	

**Louvers**

Louver, Asymmetric, 12 inch, L50.....	LV-L50-ASYM-12	Louvers Needed = One 12" louver is needed per 12" fixture and one 48" louver is needed per 48" fixture. 48" louver is made up of four 12" louvers. Louvers cannot be used with the asymmetric fixture
Louver, Asymmetric, 48 inch, L50.....	LV-L50-ASYM-48	
Louver, Symmetric, 12 inch, L50.....	LV-L50-SYM-12	
Louver, Symmetric, 48 inch, L50.....	LV-L50-SYM-48	
Louver, Honeycomb, 12 inch, L50.....	LV-L50-HCOMB-12	
Louver, Honeycomb, 48 inch, L50.....	LV-L50-HCOMB-48	

DATE <b>03/12</b>	PROJECT	FIRM	TYPE
-------------------	---------	------	------

**OPTIONAL ACCESSORIES**

**Masking Plates**

Masking Plate, 3 inch high, 12 inch, L50 & L35 .....	MP-L50-3H-12
Masking Plate, 3 inch high, 48 inch, L50 & L35 .....	MP-L50-3H-48

Masking Plates needed = One 12" lens is needed per 12" fixture and one 48" lens is needed per 48" fixture.

**Landscape Stake**

Landscape Stake, 6 inch, TROV, Set of 2 .....	LS-L-STK-06
Landscape Stake, 12 inch, TROV, Set of 2 .....	LS-L-STK-12
Landscape Stake, 18 inch, TROV, Set of 2 .....	LS-L-STK-18

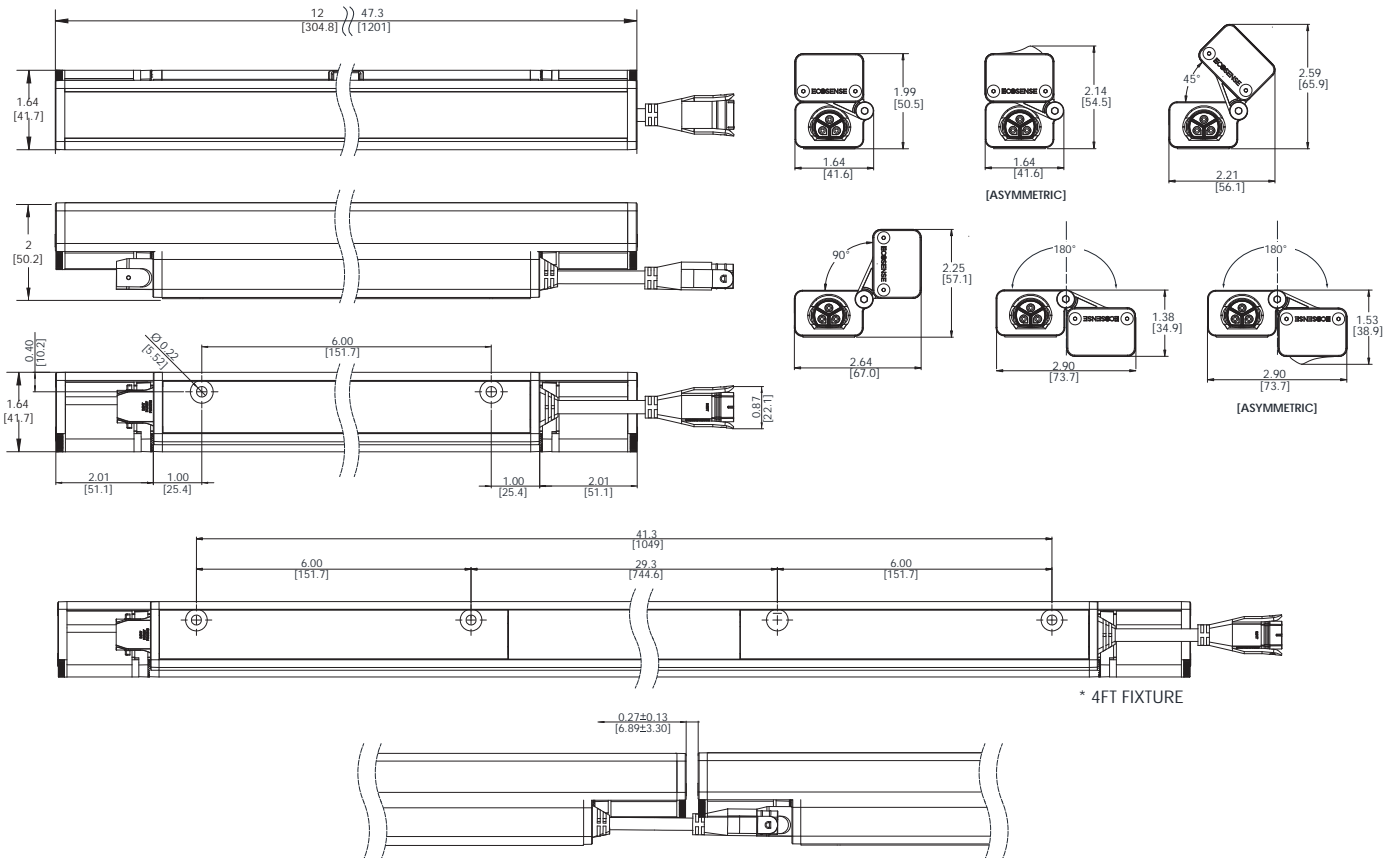
Landscape Stakes needed = 12" and 48" fixtures both need one set of 2.

**Wire Box**

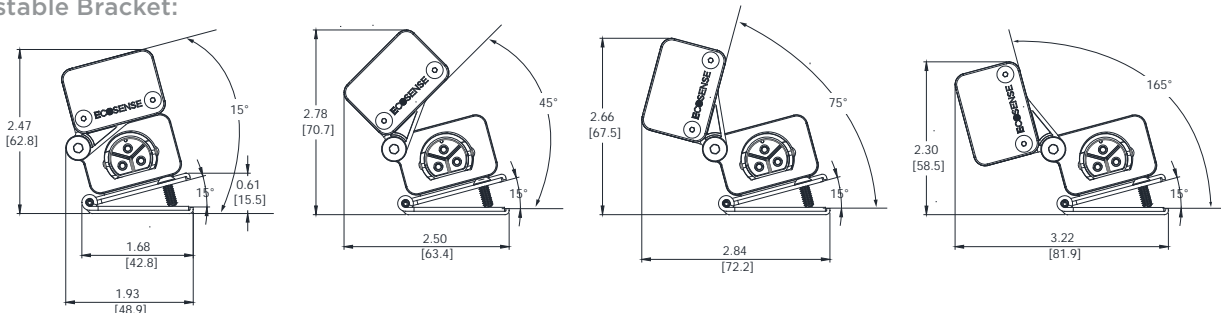
Conduit Connection, Wire Box, TROV, Interior Only, L50 .....CC-L-WIREBOX

Wire box can be used instead of a leader cable to start a run. 1/2" conduit fitting can attach directly to the box on one end and the fixture to the other.

**DIMENSIONS + MOUNTING**



**Fine Adjustable Bracket:**

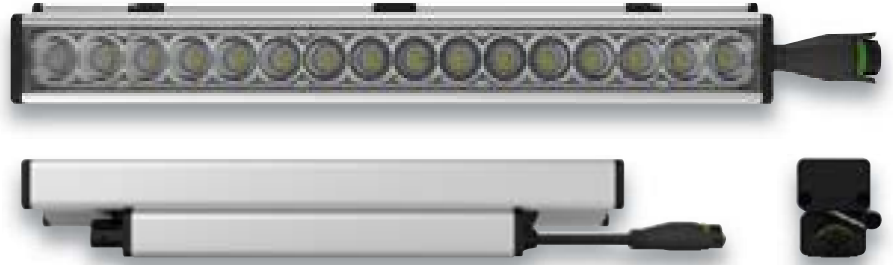


DATE <b>03/12</b>	PROJECT	FIRM	TYPE
-------------------	---------	------	------

THE L50 INCLUDES PATENTED OPTICAL DESIGN THAT DELIVERS THE WIDEST RANGE OF BEAM ANGLE OPTIONS FOR PRECISE COVE, WALL GRAZING, WALL WASHING OR LINE OF LIGHT APPLICATIONS. EXCLUSIVE FLIP TO FLAT™ HINGE DESIGN PROVIDES FLEXIBILITY WHEN MANAGING SMALL COVE DETAILS. TROV OFFERS SMOOTH, FLICKER FREE DIMMING DOWN TO 0%.

**FEATURES :**

- DIM TO 0%, ELV REVERSE PHASE
- 24 BEAM ANGLES
- MULTI-VOLT
- FLIP TO FLAT™
- 6 CCT OPTIONS
- 80+ AND 90+ CRI OPTIONS
- IP54 INTERIOR AND IP66 EXTERIOR OPTIONS



MODEL/ SIZE	INTERIOR/ EXTERIOR	LENGTH	POWER	CCT	CRI	VOLTAGE	OPTICS
L50	E	12" 48"	02 04 <b>06</b> 08 10 12	<b>WHITE CCT</b> 22 27 <b>30</b> 35 40 50	<b>MONO COLOR</b> GR**** BL AM RD***	<b>80</b> 90* Blank For Color	<b>MULT (120-277V)</b>  <b>GRAZING</b> 9 x 9 9 x 17 9 x 20 <b>9 x 59</b> 15 x 15 15 x 23 15 x 35 15 x 65  <b>COVE</b> 120** Asym  <b>LINE OF LIGHT</b> LOL  <b>WASHING</b> 25 x 25 25 x 33 25 x 45 25 x 75 39 x 9 55 x 25 40 x 40 40 x 48 40 x 60 40 x 90 45 x 15 70 x 40 70 x 70

**EXAMPLE:** L50-I-48-10-27-90-MULT-15x65 \*90 CRI not available in 2200K or 5000K \*\*120 is only available with Exterior option. See L35 spec sheet for interior cove options. \*\*\*Red is not available in 12W or 10W. \*\*\*\*Green is not available in 12W.

PERFORMANCE	WATTS	OPTIC	LUMEN OUTPUT	EFFICACY
	2W	9°x 29°	110 lm/LF ( 361 lm/m )	55 lm/W
	4W	9°x 29°	302 lm/LF ( 1037 lm/m )	76 lm/W
	6W	9°x 29°	482 lm/LF ( 1614 lm/m )	80 lm/W
	8W	9°x 29°	675 lm/LF ( 2224 lm/m )	84 lm/W
	10W	9°x 29°	785 lm/LF ( 2644 lm/m )	79 lm/W
	12W	9°x 29°	923 lm/LF ( 3109 lm/m )	77 lm/W

ALL LUMEN DATA IS FROM 4000K 80CRI FIXTURES. PLEASE SEE PHOTOMETRY SPEC SHEET FOR ADDITIONAL LUMEN DATA.

<b>COLOR RENDERING INDEX</b>	80+, 90+				
<b>COLOR CONSISTENCY</b>	2-STEP MACADAM ELLIPSE				
<b>LUMEN DEPRECIATION / RATED LIFE</b>	WATTS	L70 @ 25C	L70 @ 50C	L90 @ 25C	L90 @ 50C
	2W-12W	>150,000	>70,000	>50,000	>25,000

\*CALCULATIONS FOR LED FIXTURES ARE BASED ON MEASUREMENTS THAT COMPLY WITH IES LM-80 TESTING PROCEDURES AND IES TM-21 CALCULATOR

<b>ELECTRICAL</b>	<b>POWER CONSUMPTION</b>	2W*/LF (6.6W/M); 4W/LF (13.2W/M); 6W/LF (19.8W/M); 8W/LF (26.4W/M); 10W/LF (33W/M); 12W/FL (39.6W/M) * 3W/LF (9.9W/M) at 220V -277V
-------------------	--------------------------	--

<b>MAX FIXTURE RUN LENGTH</b>		2W/LF	4W/LF	6W/LF	8W/LF	10W/LF	12W/LF
	Volts	Max Run all 1'	Max Run all 4'	Max Run all 1'	Max Run all 4'	Max Run all 1'	Max Run all 4'
	120	214	214	186	186	152	152
	220	374	392	340	340	277	277
	277	374	494	374	428	349	349

<b>POWER FACTOR</b>	4W, 6W, 8W, 10W, 12W >0.9, 2W<0.9
<b>OPERATING VOLTAGE DRIVER</b>	MULTIVOLT: 110-277VAC, 50/60 Hz
<b>STARTUP TEMPERATURE</b>	INTEGRAL TO FIXTURE; DE-RATED POWER AND SYNCHRONOUS START-UP AT FULL BRIGHTNESS
<b>OPERATING TEMPERATURE</b>	-40°F TO 122°F (-40°C TO 50°C)
<b>STORAGE TEMPERATURE</b>	-40°F TO 176°F (-40°C TO 80°C)

**ECOSENSE LIGHTING INC.**  
837 NORTH SPRING STREET  
SUITE 103  
LOS ANGELES, CA 90012

**P • 310.496.6255**  
**F • 310.496.6256**  
**T • 855.632.6736**  
855.6.ECOSEN

SPECIFICATIONS SUBJECT TO CHANGE WITHOUT NOTICE. VISIT [ECOSENSELIGHTING.COM](http://ECOSENSELIGHTING.COM) FOR THE MOST CURRENT SPECIFICATIONS.  
© 2017 ECOSENSE LIGHTING INC. ALL RIGHTS RESERVED. ECOSENSE, THE ECOSENSE LOGO, RISE, TROV, SLIM COVE AND ECOSPEC ARE REGISTERED TRADEMARKS OF ECOSENSE LIGHTING INC.  
**FREEDOM TO CREATE™**

[ECOSENSELIGHTING.COM](http://ECOSENSELIGHTING.COM)

DATE <b>03/12</b>	PROJECT	FIRM	TYPE
-------------------	---------	------	------

<b>CONTROL</b>	<b>DIMMING</b>	110-277VAC, ELV TYPE 0.07%-100%, REVERSE PHASE, TRAILING EDGE
<b>PHYSICAL</b>	<b>DIMENSIONS</b>	W 1.6" x H 2" x L 12"/48" ; (41.6mm x 50.5mm x 304.7mm/1201mm)
	<b>HOUSING /LENS</b>	EXTRUDED ALUMINUM; UV STABILIZED POLYCARBONATE; STAINLESS STEEL FASTENERS; PLASTIC ENDCAPS RUBBER OVERMOLD FOR CABLE ASSEMBLY
	<b>WEIGHT</b>	1.52LBS / 0.69KG (1FT) ; 4.95LBS / 2.25KG (4FT)
	<b>CONNECTORS</b>	INTEGRAL MALE/ FEMALE CONNECTORS
	<b>ENVIRONMENT</b>	INDOOR • ETL CERTIFIED FOR DRY/DAMP LOCATIONS IP54 OUTDOOR • ETL CERTIFIED FOR WET LOCATIONS IP66 IMPACT RATED TO IK10
	<b>BEAM ANGLE</b>	GRAZING, WASHING, COVE, ASYMMETRIC, LINE OF LIGHT
	<b>MOUNTING OPTIONS</b>	INTEGRAL MOUNTING AND ADJUSTABLE AIMING FROM 0°-180° IN 15° INCREMENTS

<b>FIXTURE RATING &amp; CERTIFICATIONS</b>	CE, ETL CERTIFIED RoHS COMPLIANT ENERGY STAR COMPLIANT DLC COMPLIANT RCM CERTIFIED	    
--	--	--

**LIMITED WARRANTY 5 YEARS**

**WIRING OPTIONS (MVOLT): 110-277VAC**

Power Cable Assembly, TROV, Leader/Jumper, 10 foot.....	<b>CBL-3P-L-UNV-10*</b>
Power Cable Assembly, TROV, Leader/Jumper, 50 foot.....	<b>CBL-3P-L-UNV-50*</b>
Power Cable Assembly, TROV, Jumper, 5 foot.....	<b>CBL-3P-L-UNV-05**</b>
<b>Power Cable Assembly, TROV, Jumper, 1 foot.....</b>	<b>CBL-3P-L-UNV-01**</b>
Power Cable Assembly, TROV, Male and Female terminator caps.....	<b>CBL-3P-L-UNV-CAPS</b>

\*Two (2) terminators are included with the 10' and 50' power cable. One Leader need per circuit/fixture run. Cables are not plenum rated.  
\*\* If using the 5' or 1' power cable assembly as a leader to power a run one set of CBL-3P-L-UNV-CAPS will also be need per cable.

**0-10V CONTROL OPTIONS**

100-120VAC / 277VAC Linear Dimming Control Module 0-10V - Plenum Rated .....	<b>LDCM-PL-120-277-010V-GR</b>
--	--------------------------------

All products come standard with ELV dimming capabilities. 0-10V Control options required for operation at 0-10V.

**OPTIONAL ACCESSORIES**

**Mounting**

Mounting Track and Clips Set, 48 Inch Track, 8 Clips..... **MNT-L-TRKCLIP-48** .....48" track and clips set will work with one 48" fixture or four 12" fixtures.  
 Mounting Track and Clips Set, 12 Inch Track, 2 Clips.....**MNT-L-TRKCLIP-12** .....12" track will not work with 48" fixtures.  
 Mounting Track Clip, TROV, Set of 2..... **MNT-L-CLIP** .....Clips needed = 12" fixtures need 1 set of 2 and 48" fixture needs 2 sets of 2.  
 90 Degree L bracket, TROV, Set of 2.....**MNT-L-LBKT** .....L-Brackets needed = 12" fixtures need 1 set of 2 and 48" fixture needs 1 set of 2.  
 Angle Locking Clip, TROV, Pack of 10.....**MNT-L-ANGLOCK** .....Angle Locks needed = 12" fixtures need 1 and 48" fixtures need 2.  
 (Included with fixtures)

Mounting, Fine Adjustment Bracket, TROV..... **MNT-L-FAB** .....Fine Adjustment Brackets needed = 12" fixtures need 1 and 48" fixtures need 2.  
 \*Fine Adjustment Bracket is highly recommended for Grazing Optics.  
 Mounting, Fine Adjustment L-Bracket, TROV.....**MNT-L-LFAB** .....Fine Adjustment L-Brackets needed = 12" fixtures need 1 and 48" fixtures need 2.  
 \*Fine Adjustment L-Bracket is recommended for Asymetric Optics when aiming is needed.

**Snap-on Lenses**

Snap-on Lens, Frosted, 12 inch, L50 .....	<b>LENS-L50-FROST-12</b>	Snap-on Lenses need = One 12" lens is needed per 12" fixture and one 48" lens is needed per 48" fixture. Snap on Lenses will not work with the asymmetric fixture. Clear lenses can be used to hold colored filters to customize the output color of any TROV fixture, except the ASYM. Color filters supplied by others.
Snap-on Lens, Frosted, 48 inch, L50 .....	<b>LENS-L50-FROST-48</b>	
Snap-on Lens, Clear, 12 inch, L50 .....	<b>LENS-L50-CLEAR-12</b>	
Snap-on Lens, Clear, 48 inch, L50 .....	<b>LENS-L50-CLEAR-48</b>	

**Wall Mount Arm**

Wall Mount Arm, 6 inch TROV.....	<b>WMA-L-CA-06</b>	Wall Mount Arms needed = For individual fixture installations two arms and one end set will be needed per fixture. For continuous run installation one endset will be needed per run. Each end set contains one left and one right end plate. One joining set will be needed per joint. One arm per fixture will be need plus one extra arm to complete the run. For example: A 10ft run made with two 4ft and two 1ft fixtures will contain; 1 x WMA-L-END, 3 x WMA-L-JNR, and 5 x WMA-L-CA-12. Leader cables are not included with wall mount arms, end sets, or joiners sets.
<b>Wall Mount Arm, 12 inch, TROV.....</b>	<b>WMA-L-CA-12</b>	
Wall Mount Arm, 18 inch, TROV.....	<b>WMA-L-CA-18</b>	
Wall Mount Arm, 24 inch, TROV.....	<b>WMA-L-CA-24</b>	
Wall Mount Arm End Plate Set, TROV, Includes Left and Right.....	<b>WMA-L-END</b>	
Wall Mount Arm Joiner Plate, TROV .....	<b>WMA-L-JNR</b>	

**Louvers**

Louver, Asymmetric, 12 inch, L50 .....	<b>LV-L50-ASYM-12</b>	Louvers Needed = One 12" louver is needed per 12" fixture and one 48" louver is needed per 48" fixture. 48" louver is made up of four 12" louvers. Louvers cannot be used with the asymmetric fixture
Louver, Asymmetric, 48 inch, L50 .....	<b>LV-L50-ASYM-48</b>	
Louver, Symmetric, 12 inch, L50 .....	<b>LV-L50-SYM-12</b>	
Louver, Symmetric, 48 inch, L50 .....	<b>LV-L50-SYM-48</b>	
<b>Louver, Honeycomb, 12 inch, L50 .....</b>	<b>LV-L50-HCOMB-12</b>	
<b>Louver, Honeycomb, 48 inch, L50 .....</b>	<b>LV-L50-HCOMB-48</b>	

DATE <b>03/12</b>	PROJECT	FIRM	TYPE
-------------------	---------	------	------

**OPTIONAL ACCESSORIES**

**Masking Plates**

Masking Plate, 3 inch high, 12 inch, L50 & L35	MP-L50-3H-12
Masking Plate, 3 inch high, 48 inch, L50 & L35	MP-L50-3H-48

Masking Plates needed = One 12" lens is needed per 12" fixture and one 48" lens is needed per 48" fixture.

**Landscape Stake**

Landscape Stake, 6 inch, TROV, Set of 2	LS-L-STK-06
Landscape Stake, 12 inch, TROV, Set of 2	LS-L-STK-12
Landscape Stake, 18 inch, TROV, Set of 2	LS-L-STK-18

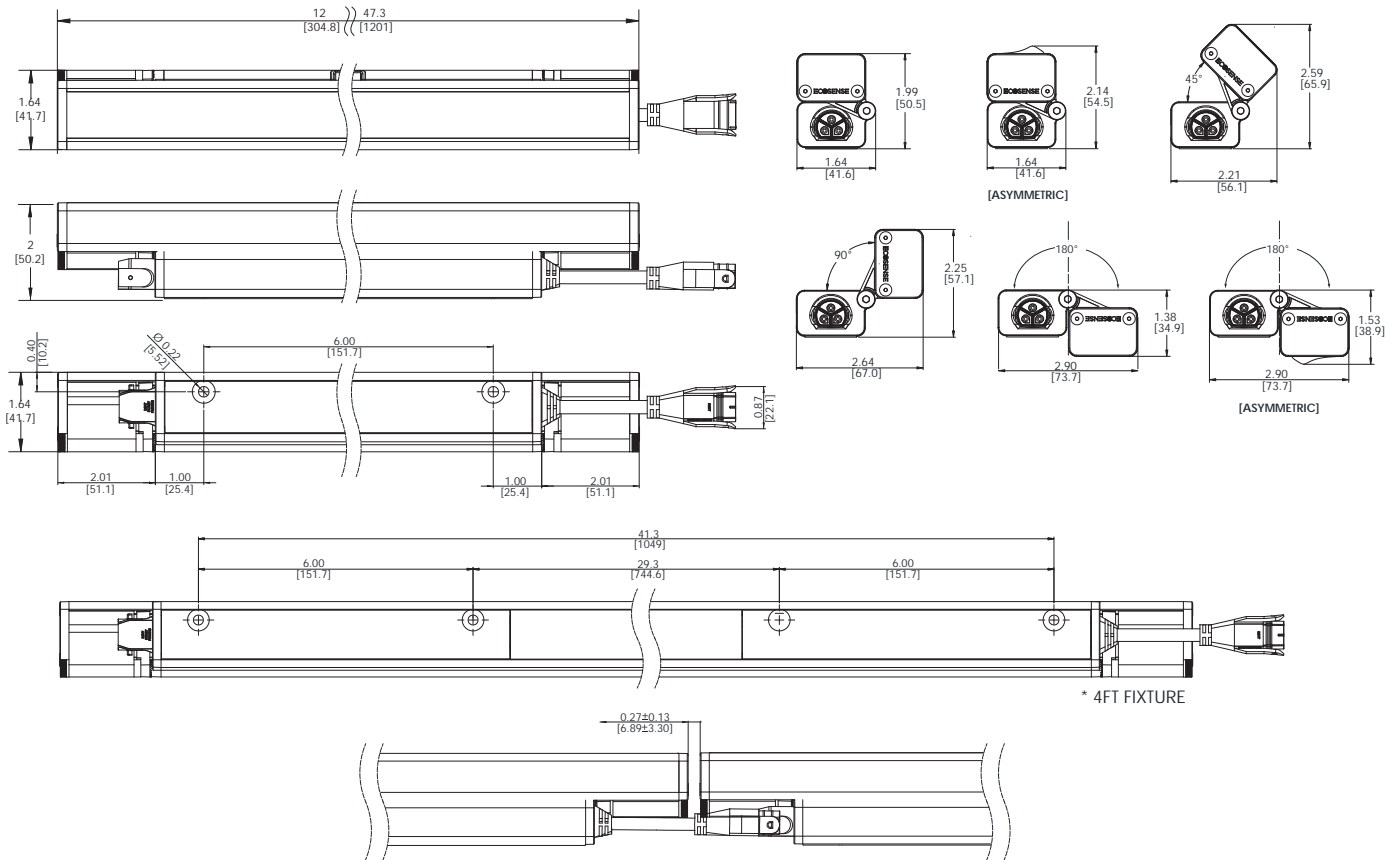
Landscape Stakes needed = 12" and 48" fixtures both need one set of 2.

**Wire Box**

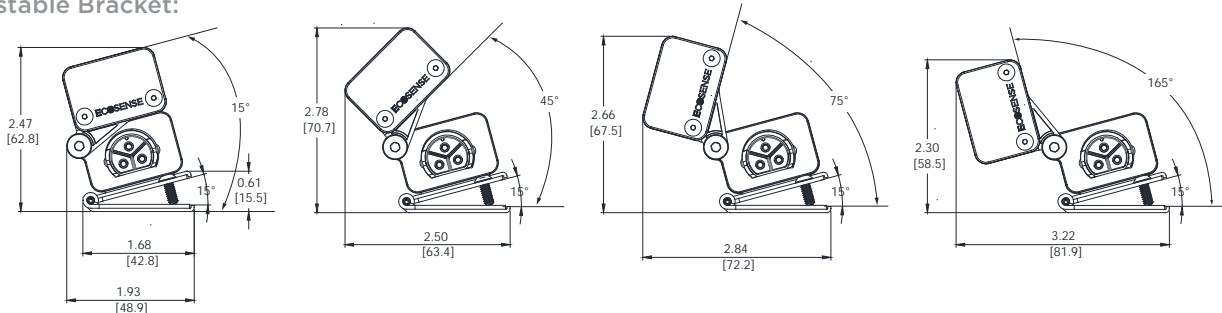
Conduit Connection, Wire Box, TROV, Interior Only, L50 .....CC-L-WIREBOX

Wire box can be used instead of a leader cable to start a run. 1/2" conduit fitting can attach directly to the box on one end and the fixture to the other.

**DIMENSIONS + MOUNTING**



**Fine Adjustable Bracket:**



**OW2306 – SCOPE™**  
Cast Housing, Downlight Only



Type:  Project:

[VisaLighting.com/products/Scope](http://VisaLighting.com/products/Scope)

Fill in shaded boxes using information listed below

Order Code: **OW2306** MODEL  –  MVOLT

**A SOURCE** Downlight Only **B VOLTAGE** **C OPTICAL DISTRIBUTION** **D FINISH** **E OPTION(S)**



Scope, an elegant outdoor fixture, is ideal for mounting along paths of egress and to window mullions or walls.

**DIMENSIONS**

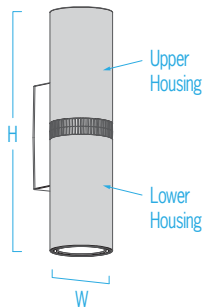
Depth is measured from wall to front of fixture

W = Width H = Height D = Depth

- W 3-7/8" (98 mm)
- H 15" (381 mm)
- D 5-1/4" (133 mm)
- D 5-1/2" (140 mm)  
(with JBC option)

For mullion mounting: Minimum required mullion width is 3.00"

May be mounted in inverse position



**A SOURCE (Select one) B VOLTAGE**

MVOLT fixture accepts 120 through 277 input voltage  
Dimmable 0-10V to 10%  
93CRI, within 3-step MacAdam

**C OPTICAL DISTRIBUTION**

Downlight Only

LED Sources	CCT	Delivered Lumens	Power (Watts)	Voltage
<input checked="" type="radio"/> L30K	3000K	900	15	<input type="text" value="MVOLT"/>
<input type="radio"/> L35K	3500K			
<input checked="" type="radio"/> L40K	4000K			

Optical Distribution	Max Candela
<input type="radio"/> MED 65° Beam	421
<input checked="" type="radio"/> NRW 23° Beam	993

**D FINISHES (Select one)**

See page 2 for color chart

Powder Coat Painted Finishes (Standard)

<b>AG7038</b> Agate Grey	<b>CVBL</b> Cove Blue	<input checked="" type="radio"/> <b>GW9002</b> Grey White	<b>PB1035</b> Pearl Beige
<b>BMAT</b> Bronze Matte	<b>CW9001</b> Cream White	<b>HTHR</b> Heather	<b>RUST</b> Rust
<b>BRNZ</b> Bronze	<b>GLIM</b> Glimmer	<b>JB9005</b> Jet Black	<b>SUNG</b> Sungold
<b>BSIL</b> Blade Silver	<b>GSIL</b> Graphite Silver	<b>OBRZ</b> Old Bronze	<b>TW9016</b> Traffic White

**E OPTIONS (Multiple Selections Allowed)**

**⚠ Option availability may be interdependent with Voltage, Source or Other Options**

- JBC** Junction box cover (4-1/2" square) for use with an existing 4" octagonal junction box. Painted to match finish
- RMB** Remote mounted power supply (required for mullion mount)
- XPS** Express 10 day shipping. **Items marked with a bullet (•) are not available with XPS**

**ACCESSORIES (Order Separately)**

**Remote emergency line voltage inverter – Surface or cabinet mount**

- PS-EMVL** Can supply a single fixture up to 20W at 120V or 277V for 90 minutes
- PS-EMVM** Can supply multiple fixtures up to a combined 125W at 120V or 277V for 90 minutes
- PS-EMVH** Can supply multiple fixtures up to a combined 375W at 120V or 277V for 90 minutes

Mount in the "up" position



IP65



XPS



LED



ETL Listed

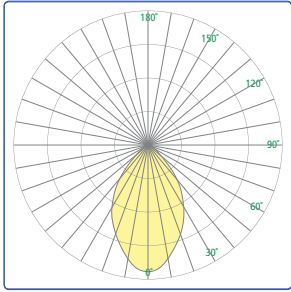


5 Year Warranty

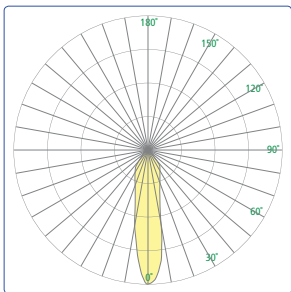
**OW2306 – SCOPE**  
Cast Housing, Downlight Only



**Photometrics**



MED 65° Beam

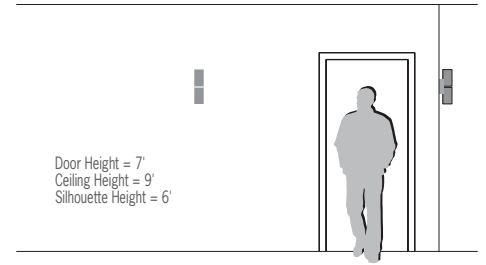


NRW 23° Beam

**Technical Information**

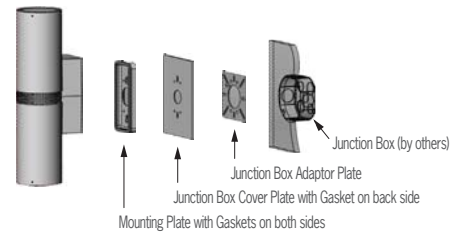
- Integral (unless RMB option is selected) high power factor electronic power supply
- Modular design for replacement of LED source and power supply
- IP65 rated
- Bracket mounting system simplifies installation and maintenance
- **May be mounted in inverse position**
- Surface mount to 2x4 junction box or window mullion. Mullion mount requires RMB option and minimum 3.00" mullion. Optional junction box cover (JBC) is available for 4x4 junction box
- Tamper resistant fasteners
- Cast aluminum body
- No VOC powder coat paint finish
- ETL listed for wet location

**Relative Scale Drawing**



**Junction Box Cover (JBC option) Mounting Detail**

Mount in the "up" position

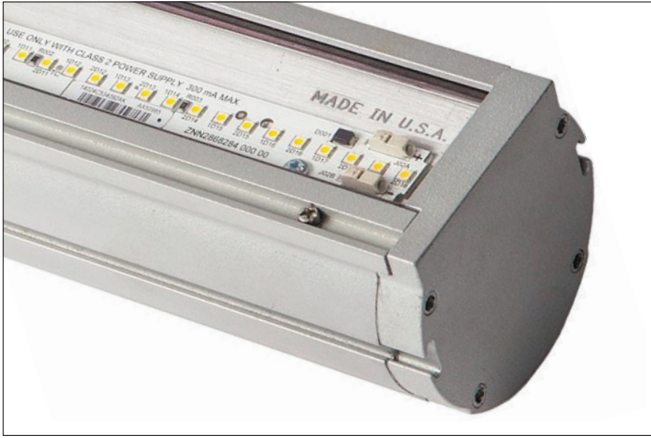


Specify color code when ordering. For accurate color matching, individual paint and finish samples are [available upon request](#). For additional information see [VisaLighting.com/materials-finishes](http://VisaLighting.com/materials-finishes)

**Painted Finishes (Standard)**

<b>TW9016</b> Traffic White (RAL9016)	<b>CW9001</b> Cream (RAL9001)	<b>GW9002</b> Grey White (RAL9002)	<b>JB9005</b> Jet Black (RAL9005)	<b>AG7038</b> Agate Grey (RAL7038)	<b>HTHR</b> Heather	<b>CVBL</b> Cove Blue
<b>BSIL</b> Blade Silver	<b>GSIL</b> Graphite Silver	<b>GLIM</b> Glimmer	<b>SUNG</b> Sungold	<b>BRNZ</b> Bronze		
<b>OBRZ</b> Old Bronze	<b>BMAT</b> Bronze Matte	<b>PB1035</b> Pearl Beige (RAL1035)	<b>RUST</b> Rust			

This document contains information which is the property of Visa Lighting, and may not, in whole or in part, be duplicated, disclosed, or used for design or manufacturing purposes without the prior written permission of Visa Lighting. ©Visa Lighting. Design Modification Rights Reserved.



# Architura Economy Signlighter

## LED Linear Signlighter & Wallwash

### 120VAC

Project		avid® Hotel	
Type	S6	Date	

Driverless 120V LED Arrays with 120° distribution for general signlighting and wallwashing creates a powerful energy efficient and economical linear floodlight for replacement of fluorescent luminaires with formed reflectors to create flood and asymmetric outputs. Adjustable aiming.

*Super bright LED fixtures should be aimed away from the casual visual field to avoid glare and visual discomfort.*

#### Construction

Architectural extruded aluminum housing. Diecast endcaps. Polycarbonate lens. Swivel adjustment.

#### Electrical

120VAC. 24" long 18/3 weatherproof cord exits rear. Reverse phase dimmable (ELV).

#### Warranty

5 year/50,000 hour limited warranty.

#### Mounting

Wall, ceiling, or ground post mount. Sliding swivel or space saving brackets adjust along the fixture to allow for mounting condition changes.

#### Finish

Anodized Silver, polyester powder coated bronze, or white.

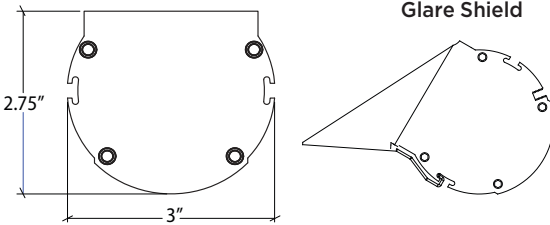
#### Environment

Wet Location - IP65. Operating Temperature -22°F - 122°F.

#### Certifications

UL Listed. Certified to CSA Standard C22.2 No. 9. Tested in accordance with IESNA LM-79 and LM-80 Standards.

120VAC								
LED Output	LS				LH			
Length	2 ft	3 ft	4 ft	8 ft	2 ft	3 ft	4 ft	8 ft
Color	27k, 30k, 35k, & 40k							
Optics	45°, 120°							
Voltage	120VAC							
Watts/ft	4W/ft				8W/ft			
Wattage	8W	12W	16W	32W	16W	24W	32W	64W
Max Run	100 ft row max							
Lumen/ft	525 lm/ft				1050 lm/ft			
CRI	>90				>90			



#### 1400 Architura Series OPTIONS:

Name	Part No.
(G) Glare Shield	1400xLEDGxx
(A4) 4" Extended Arm	A4xxPWR & A4xx- (2ft fixture uses only 1 part # A4xx-PWR)
(Ac) Custom Length Extended Arm	Ac-xxPWR & Ac-xx - (2ft fixture uses only 1 part # Ac-xxPWR)
(P) Permapost	PERMAPOST & PERMAPOST-PWR - (2ft fixture uses only 1 part # PERMAPOST-PWR)

x = Length: 2, 3, 4, 8    c = Custom length (specify in inches)    xx = Color (SO) Silver, (BZ) Bronze, (WH) White, (CU) Custom

#### ORDER GUIDE

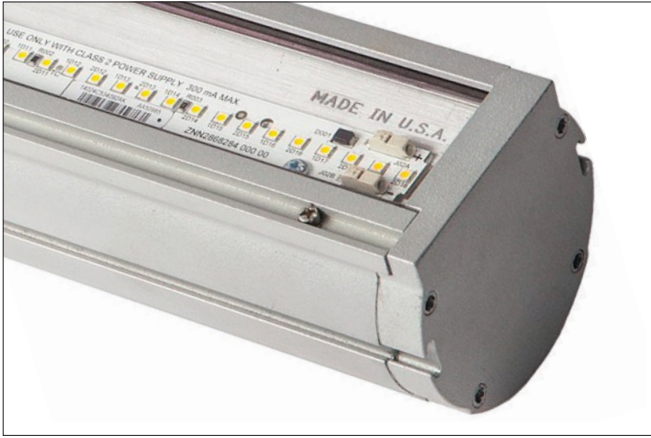
1400	Series	Length	LED Output	CCT	AC Voltage	Mounting	Optics	Finish	Options
	1400	2' Nom.	LS Standard (4W/ft; 525 lm/ft)	27 27k	AC 120VAC	SW Swivel Mount	45 45°	SO Silver	G Glare Shield
		3' Nom.		30 30k		LB L-Bracket Mount	120 120°	BZ Bronze	A4 4" Extended Arm
		4' Nom.		35 35k		(See "Options" for Extended Arms and Permapost)		WH White	CU Custom Length Extended Arm (specify length)
		8' Nom.	LH High (8W/ft; 1050 lm/ft)	40 40k		CU Custom Mount		CU Custom Finish Color Code:	P Permapost
									2 Natatorium
									N None

Note - 100' row max

**Example:** 1400-4-LS-27-AC-SW-120-SO-N

Specifications are correct at the time of publishing, but may be modified or improved in accordance with current electrical, safety or manufacturing methods without notification.





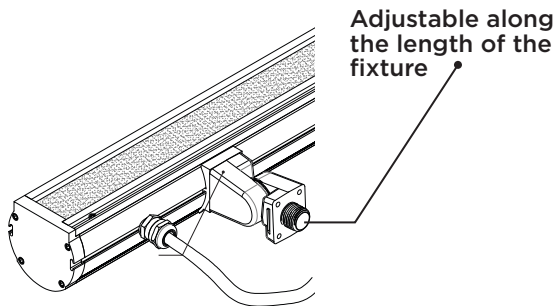
# Architura 1400

## Mounting Options

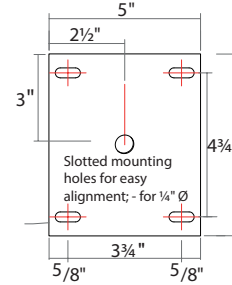
Note: Add 1/2" to each fixture length when using Swivel Mount Brackets with interconnected fixture rows.

### SW – Swivel Mount

Heavy duty adjustable mounting arm bracket with 1/2" NPT. Fixture mounts to swivel mount arm bracket, field adjustable along the length of the fixture. Use for individual fixture or for multiple fixtures mounted in a row. The Standard Swivel Mount bracket (SW) arm extends approximately 3". Extended arms are available from 4" (A4) up to 24" (A24), see next page. 16" weatherproof cord exits 6" from the back right end of individual fixtures with the lens in the up position. All brackets can be installed at roughin, allowing the fixture to be attached and connected to power later.

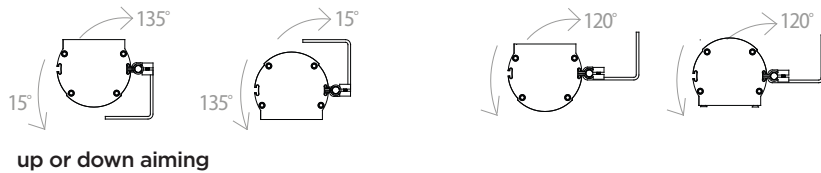
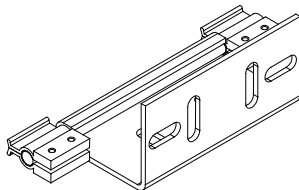


### Available accessory - Mounting Bracket



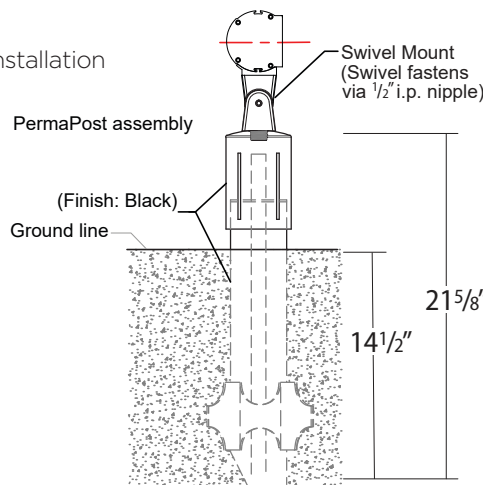
### SB – Sliding Bracket (adjustable; enables close mounting)

Fixture mounts to the adjustable sliding bracket at any position along the length of the fixture. Mount bracket with 1/4" screws or bolts (not supplied). Use for individual fixture or for multiple fixtures mounted in a row. Individual fixtures up to 2' long can be supported by a single sliding bracket at the center of the fixture. Add 1/2" to each fixture length when using sliding brackets with interconnected fixture rows.



### P – Permapost

Provide easy at-grade installation



Specifications are correct at the time of publishing, but may be modified or improved in accordance with current electrical, safety or manufacturing methods without notification.





# Architura Economy Signlighter

## Mounting Options

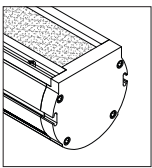
### Row Mounting - SB, SW, A4-A24, PP (Sliding Bracket, Swivel Mount, A4-A24 Extended Arm)

#### Specifying Interconnecting fixtures

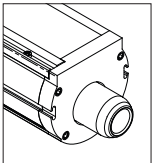
Tool-less, wire-thru, push fit connections allow individual fixture rotation during installation, solving the problem of aiming connected rows.

#### Row mounting

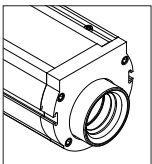
18" weatherproof cord exits 6" from the back left end of fixtures with the lens in the up position. When fixtures are inverted down aiming, the cord will be on the right. All fixtures are provided with capped liquid tight connectors allowing field modification.



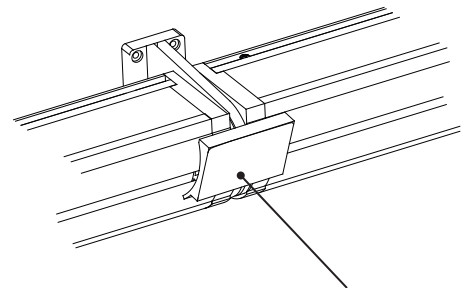
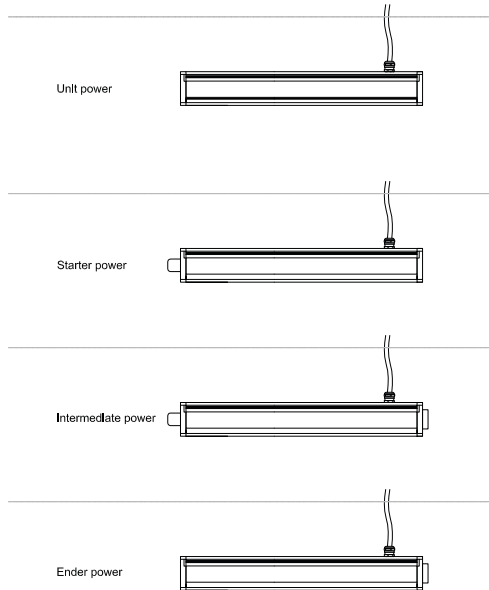
Unit powered



Starter connector



End connector



**Optional locking bracket:**  
Secures fixtures at connecting points. 2 3/4" long slides into the channel and secures with two screws at the base.

For swivel mounting, locking bracket will be on the cord grip side of the fixture.

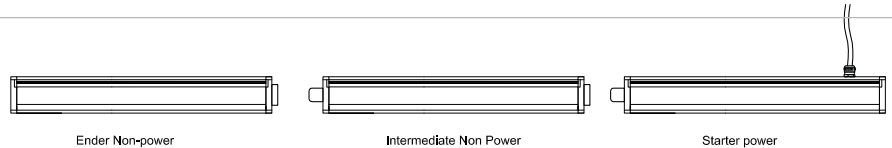


#### Row mounting

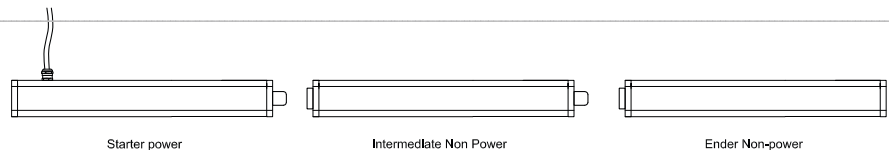
Supplied with 18" weatherproof cord 6" from the back right with the lens facing up. For down aiming, the power cord will be on the right. Field modifiable.



**Row mounting:**  
**Architura shown as uplight**  
Maximum row length: 150 ft.



**Row mounting:**  
**Architura shown as downlight**  
Maximum row length: 150 ft.



Specifications are correct at the time of publishing, but may be modified or improved in accordance with current electrical, safety or manufacturing methods without notification.

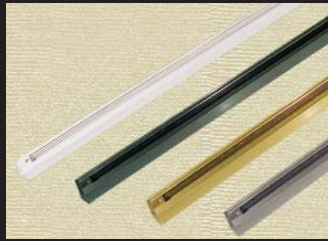


GUEST CORRIDOR FIXTURES  
MOVED TO FF&E PUBLIC AREA  
SPECIFICATIONS, TYPE REP-410.



**TRACK LIGHTING  
TRACKS AND  
ACCESSORIES**  
4 FOOT TRACK

TK6004



PROJECT	Type: T1
FIXTURE TYPE	
MODEL	
LAMP	
CONTACT/TELEPHONE	

**Specifications**

**Description**

Extruded 4 ft. aluminum track with 20-amp rated flat, solid integral conductors. These tracks can be joined together using any of the track connectors. Available in four colours: Black, White, Brushed Brass and Brushed Nickel.

**Features**

- Extruded aluminum construction
- Low profile aesthetic design
- Solid 12-gauge conductors
- Polarity groove on ground wire side
- Surface or stem mounted (mounting hardware supplied)
- 20 Amp

**Extrusion**

0.030" die cast aluminum construction with 0.045" PVC insulators holding 12 gauge flat conductor wiring. Polarity groove is located on face of track to indicate location of grounding conductor.

**Electrical**

System Electrical Rating: 20A, 120V, 60Hz  
Note: Track lighting is a one circuit electrical distribution system designed to supply lighting units in a flexible ways.

**Compatibility**

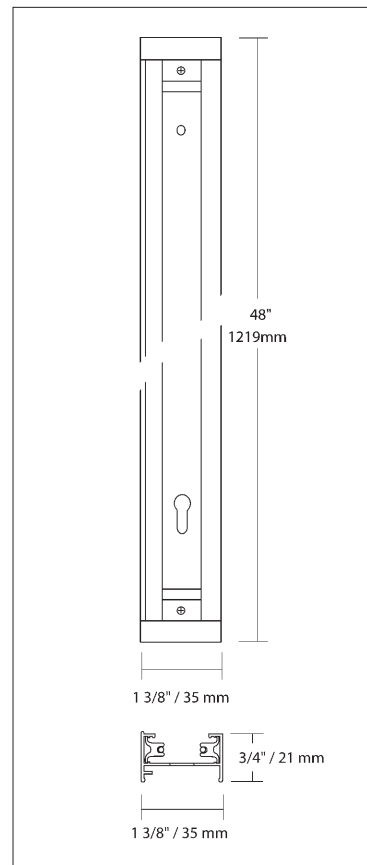
Liteline Track system is compatible with all Liteline Track accessories and connectors.

**1-Circuit Track**

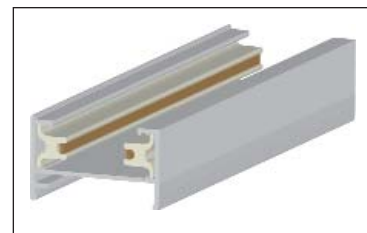
Single circuit track is available for 120V applications. Single hot and neutral conductors are rated for 20 Amps per branch circuit. Copper electrical conductors are concealed in an insulating thermo plastic low profile track cross-section.

**Dimensions & Ordering Guide**

Model	Colour
TK6004-BK	Black
TK6004-WH	White
TK6004-BB	Brushed Brass
TK6004-BN	Brushed Nickel



All dimensions are in inches / millimeters



**Listings**



**LITELINE CORPORATION**

8 Abacus Road, Brampton, Ontario, Canada L6T 5B7  
Tel: 416-996-1856 • Fax: 905-794-1990 / 1-888-738-9736  
E-mail: sales@liteline.com • Website: www.liteline.com

Product specifications subject to change without notice.



**TRACK LIGHTING  
TRACKS AND  
ACCESSORIES**  
4 FOOT TRACK  
TK6004



PROJECT	Type: T2
FIXTURE TYPE	
MODEL	
LAMP	
CONTACT/TELEPHONE	

**Specifications**

**Description**

Extruded 4 ft. aluminum track with 20-amp rated flat, solid integral conductors. These tracks can be joined together using any of the track connectors. Available in four colours: Black, White, Brushed Brass and Brushed Nickel.

**Features**

- Extruded aluminum construction
- Low profile aesthetic design
- Solid 12-gauge conductors
- Polarity groove on ground wire side
- Surface or stem mounted (mounting hardware supplied)
- 20 Amp

**Extrusion**

0.030" die cast aluminum construction with 0.045" PVC insulators holding 12 gauge flat conductor wiring. Polarity groove is located on face of track to indicate location of grounding conductor.

**Electrical**

System Electrical Rating: 20A, 120V, 60Hz  
Note: Track lighting is a one circuit electrical distribution system designed to supply lighting units in a flexible ways.

**Compatibility**

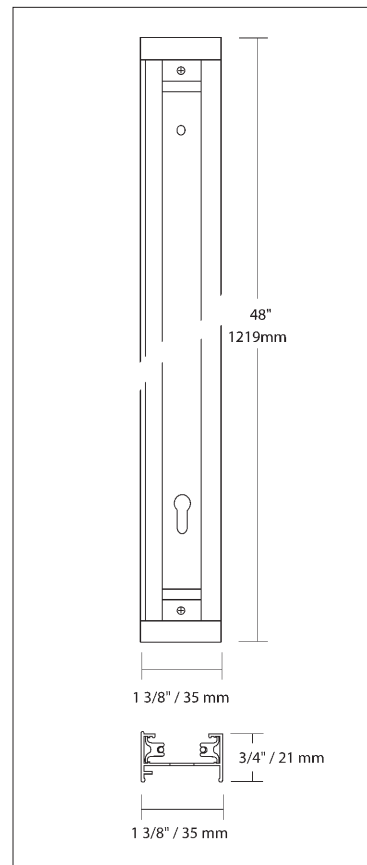
Liteline Track system is compatible with all Liteline Track accessories and connectors.

**1-Circuit Track**

Single circuit track is available for 120V applications. Single hot and neutral conductors are rated for 20 Amps per branch circuit. Copper electrical conductors are concealed in an insulating thermo plastic low profile track cross-section.

**Dimensions & Ordering Guide**

Model	Colour
TK6004-BK	Black
TK6004-WH	White
TK6004-BB	Brushed Brass
TK6004-BN	Brushed Nickel



All dimensions are in inches / millimeters



**Listings**



**LITELINE CORPORATION**

8 Abacus Road, Brampton, Ontario, Canada L6T 5B7  
Tel: 416-996-1856 • Fax: 905-794-1990 / 1-888-738-9736  
E-mail: sales@liteline.com • Website: www.liteline.com

**Product specifications subject to change without notice.**



Project: \_\_\_\_\_  
 Fixture Type: \_\_\_\_\_  
 Location: \_\_\_\_\_  
 Contact/Phone: \_\_\_\_\_

Type: T1

# TRAC-MASTER®

One Circuit Trac System

## TRAC SECTION, JOINERS & FEEDS T Series

### PRODUCT DESCRIPTION

Low-Profile, single-circuit trac sections for surface or pendant mounting. I-beam cross section provides added strength and rigidity in pendant suspended applications. Compatible with a full range of feed, connector and mounting accessories, as listed on back of this page, to complete virtually any installation requirement. Accepts all Trac-Master and Trac-Lites trac fixtures.

### PRODUCT SPECIFICATIONS

**Construction** Extruded aluminum "I" beam channel • One-piece thermoplastic insulator • Injection molded polycarbonate dead-end with set screw • Standard lengths may be cut-to-length by installer.

**Electrical** Two 12 gauge solid copper conductors • Rated 20 amps at 120 volts • Aluminum channel used as system ground • One-piece insulator insures consistent conductor spacing for reliable electrical contact • Insulating bushings supplied at mounting hole locations to prevent shorts to ground.

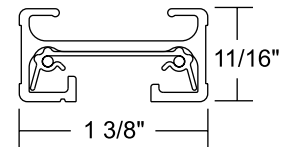
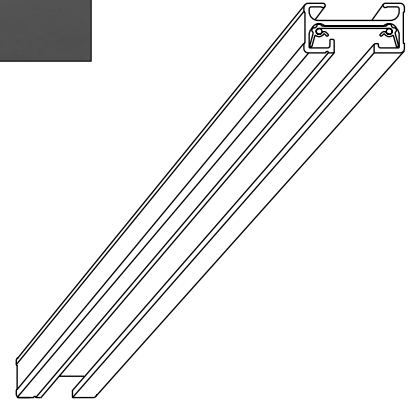
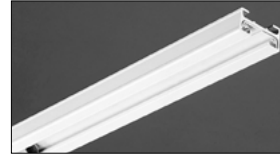
**Labels** UL listed, CSA certified.

### PRODUCT INSTALLATION

Debossed polarity line provides visual cue to proper trac, trac connector and fixture alignment • Supplied with toggle bolts for surface mounting • Integral raceway in top of channel accommodates pendant mounting hardware and wire routing to electrical feed • Insulator stays same length as extrusion to simplify field-cutting of trac • Connectors and feeds simply push into trac sections.

Specifications subject to change without notice.

### DIMENSIONS



### ORDERING INFORMATION

Example: T 8FT WH

Series	Length	Finish
T Trac-Master 1-Circuit Track Sections	<b>2FT</b> 2-foot track section; actual length 19-7/8"	<b>BL</b> Black
	<b>4FT</b> 4-foot track section; actual length 43-7/8"	<b>NAT</b> Natural
	<b>6FT</b> 6-foot track section; actual length 67-7/8"	<b>SL</b> Silver
	<b>8FT</b> 8-foot track section; actual length 91-7/8"	<b>WH</b> White
	<b>12FT</b> 12-foot track section; actual length 139-7/8"	

#### NOTE:

Supply current limiting as required per code when applicable.

Type: T1

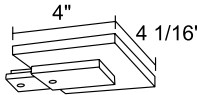
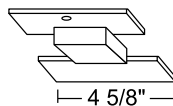
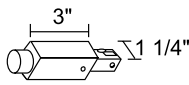
# TRAC-MASTER®

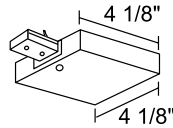
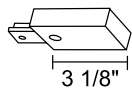
One Circuit Trac System

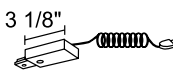
## TRAC SECTION, JOINERS & FEEDS T Series

### Electrical Feeds

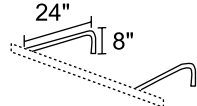
Examples: T21, BL, T34, RP, WH

T21	T21 RP	T29	T34	T34 RP
BL, SL, WH	BL, SL, WH	BL, SL, WH	BL, SL, WH	BL, SL, WH
<p><b>End Feed Connector and Outlet Box Cover</b></p> <p>For outlet box feed. Includes: outlet box cover, fixture strap and ground screw.</p> 	<p><b>End Feed Connector and Outlet Box Cover</b></p> <p>Same as T21 except designed for use in opposite polarity orientation compared to standard feed connectors.</p>	<p><b>Floating Electrical Feed</b></p> <p>Permits mounting any point of trac under outlet box. Includes floating connector, outlet box cover plus extra trac dead end.</p> 	<p><b>Conduit End Feed</b></p> <p>For surface wiring. Use standard 1/2" connector.</p> 	<p><b>Conduit End Feed</b></p> <p>Same as T34 except designed for use in opposite polarity orientation compared to standard feed connectors.</p>

T36	T36 RP	T38	T38 RP
BL, SL, WH	BL, SL, WH	BL, SL, WH	BL, SL, WH
<p><b>T-Bar End Feed</b></p> <p>Wiring compartment contains standard 1/2" KO's. Feeds surface trac from above, when T-bar is directly above trac.</p> 	<p><b>T-Bar End Feed</b></p> <p>Same as T36 except designed for use in opposite polarity orientation compared to standard feed connectors.</p>	<p><b>Live End Feed Connector</b></p> <p>Feed trac from above with flexible conduit, BX, etc., or end feed in pendant systems. Accepts standard 1/2" connector.</p> 	<p><b>Live End Feed Connector</b></p> <p>Same as T38 except designed for use in opposite polarity orientation compared to standard feed connectors.</p>

T22	T122
BL, SL, WH	BL, SL, WH
<p><b>Cord and Plug End Feed</b></p> <p>Comes with 15' two-wire white cord. Includes surface wire retainers and in-line switch. Max cap. 7 amps. Not UL Listed.</p> 	<p><b>Cord and Plug End Feed</b></p> <p>Same as T122 but with matching color 3-wire grounded cord and plug. No switch. Not UL Listed.</p>

### Outrigger System

T47
BL, WH
<p><b>Outrigger Bracket (non-electrified)</b></p> <p>For mounting trac out from wall. Use two for 2', 4' or 6' trac sections, three for 8' trac sections and four for 12' trac sections. Order trac and connectors separately. For portable electrical feed, use T22 or T122 Cord &amp; Plug Connector. For permanent wiring, use T38 end feed connector.</p> 

Type: T1


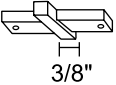
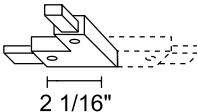
**TRAC-MASTER®**

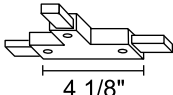
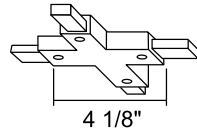
One Circuit Trac System

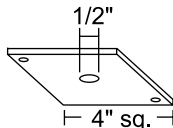

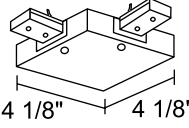
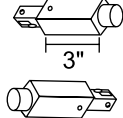
**TRAC SECTION, JOINERS & FEEDS**  
**T Series**

**Trac Joiners & Dead End**

Examples: T20 BL, T25 RP, WH

T20	T23	T24N ‡	T24F ‡
BL, SL, WH	BL, SL, WH	BL, SL, WH	BL, SL, WH
<p><b>Accordion Adjustable Joiner</b></p> <p>Can flex to 90° angle to left, right, up or down. Joins two trac sections.</p> 	<p><b>Miniature Straight Connector</b></p> <p>Joins two trac sections end to end.</p> 	<p><b>Adjustable Connector</b></p> <p>Joins two trac sections to make a 90° angle or straight run. Straight and right angle covers supplied. For outlet box feed, No. T27 cover plate required.</p> 	<p><b>Adjustable Connector</b></p> <p>Same as T24 but with integral ground connection. For outlet box feed, No. T27 cover plate required.</p>

T25 ‡	T25 RP ‡	T25 F ‡	T26 ‡	T26 F ‡
BL, SL, WH	BL, SL, WH	BL, SL, WH	BL, SL, WH	BL, SL, WH
<p><b>"T" Connector</b></p> <p>Joins three trac sections. For outlet box feed, No. T27 cover plate required.</p>	<p><b>"T" Connector</b></p> <p>Same as T25 except designed for use in opposite polarity orientation compared to standard feed connectors.</p> 	<p><b>"T" Connector</b></p> <p>Same as T25 but with integral ground connection. For outlet box feed, No. T27 cover plate required.</p>	<p><b>"X" Connector</b></p> <p>Joins four trac sections at 90° angles. For outlet box feed, T27 cover plate required.</p> 	<p><b>"X" Connector</b></p> <p>Same as T26 but with integral ground connection. For outlet box feed, No. T27 cover plate required.</p>

T27	T28	T35	T49
BL, SL, WH	BL, SL, WH	BL, SL, WH	BL, SL, WH
<p><b>Outlet Box Cover</b></p> <p>Use with Nos. T24/T25/T26 for outlet box electrical feed. Includes: nipple, locknut and ground screw.</p> 	<p><b>Trac Dead End</b></p> <p>For use with field-cut trac sections.</p> 	<p><b>T-Bar Adjustable Joiner Feed</b></p> <p>Joins two trac sections to make 90° angle or straight run. Wiring compartment contains standard 1/2" KO's. Feeds from above when T-bar is directly above trac.</p> 	<p><b>Trac Continuation Kit</b></p> <p>Permits trac to continue a run around obstructions. Includes one T34 Conduit Feed and one T34 RP Conduit Feed. Fits standard 1/2" conduit.</p> 

‡ T24N, T25 and T26 may not be used as feed connectors in Canada due to special grounding requirements – T24F, T25F & T26F are approved for use as feed connectors in Canada (may also be used in U.S.).

Type: T1

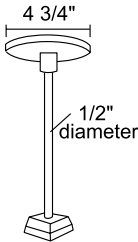
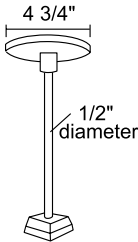
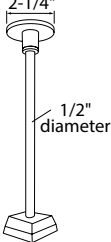
# TRAC-MASTER®

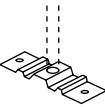
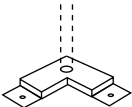
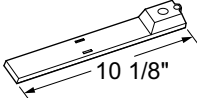

One Circuit Trac System



## TRAC SECTION, JOINERS & FEEDS T Series

### Pendant Stems

Examples: T90 12IN, BL, T93, BL

T90	T91	T9091M
12IN, 18IN, 24IN, 36IN, 48IN	12IN, 18IN, 24IN, 36IN, 48IN	12IN, 18IN, 24IN, 36IN, 48IN
BL, SL, WH	BL, SL, WH	BL, SL, WH
<p><b>T-Bar Pendant Stem Kit</b></p> <p>Compatible with 15/16" flush T-Bar ceilings. Use two for 2', 4', 6' of trac or three for 8' of trac. Includes canopy, T-Bar mounting plate, stem and trac attachment hardware. For electrical feed, order <b>T93</b> wireway cover.</p> 	<p><b>Rigid Ceiling Pendant Stem Kit</b></p> <p>Attaches directly to junction box in rigid ceilings. Use two for 2', 4', 6' of trac or three for 8' of trac. Includes canopy, J-Box mounting strap, stem and trac attachment hardware. For electrical feed, order <b>T93</b> wireway cover.</p> 	<p><b>Pendant Stem Mechanical Support Kit</b></p> <p>For mechanical support only (no feed). Suspends Trac from T-bar or rigid ceilings. Use two for 2', 4', 6' of trac or three for 8' of trac or four for 12' of trac (support is required every 4 feet). Includes Mini-Canopy, pendant stem, 15/16" T-bar clip, drywall anchor and Trac mounting hardware.</p> 

T92	T92 L	T93	T94
	BL, SL, WH	BL, SL, WH	BL, SL, WH
<p><b>Straight Structural Bridge</b></p> <p>For use with <b>T24</b> Straight Connector. Permits mounting Pendant Stem Kits (T90, T91) at center of Trac Joiner.</p> 	<p><b>Corner Structural Bridge</b></p> <p>For use with <b>T24</b> Right Angle Connector. Permits mounting Pendant Stem Kits (T90, T91) at center of Right Angle Connector.</p> 	<p><b>Wireway Cover</b></p> <p>For Pendant Stem Kits <b>T90</b> and <b>T91</b>. Conceals electrical feed wires from stem to connector. One cover required for each trac feed.</p> 	<p><b>Sloped Ceiling Adapter</b></p> <p>Allows <b>T90</b> or <b>T91</b> pendant to hang straight down from sloped ceilings. Can be used to feed electrical wires to Trac at up to 60° angle.</p> 

T96	T56
BL, SL, WH	BL, SL, WH
<p><b>Pendant Stem Threaded Coupling</b></p> <p>Enables multiple pendant stems to be joined for higher ceiling applications.</p> 	<p><b>Solid Rod Pendant Mounting Kit</b></p> <p>Attaches solid 5/16" threaded rod to Trac. Includes: plastic cap, mounting bracket and hardware. Rod not supplied.</p> 

Type: T1

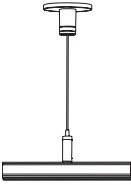
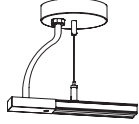
# TRAC-MASTER®

One Circuit Trac System

## TRAC SECTION, JOINERS & FEEDS T Series

### Cable Suspension



Examples: T595 48IN BL, T598 144IN WH

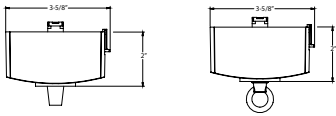
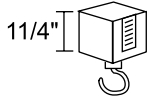
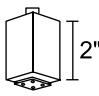
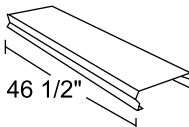
T595	T597	T596	T598
48IN, 144IN	48IN, 144IN	48IN, 144IN	48IN, 144IN
BL, WH	BL, WH	BL, WH	BL, WH
<p><b>T-Bar Ceiling Cable Suspension Kit</b></p> <p>Mechanical-only cable suspension kit for 1-circuit or 2-circuit trac. Compatible with 15/16" flush T-Bar ceilings. Adjustable 48" or 144" stainless steel cable length. Includes mini-canopy, T-bar clip and cable hardware. Trac requires support every 4'.</p> 	<p><b>Rigid Ceiling Cable Suspension Kit</b></p> <p>Mechanical-only cable suspension kit for 1-circuit or 2-circuit trac. Attaches directly to junction box in rigid ceilings. Adjustable 48" or 144" stainless steel cable length. Includes mini-canopy, toggle bolt and cable hardware. Trac requires support every 4'.</p>	<p><b>T-Bar Ceiling Cable Suspension/Feed Kit</b></p> <p>Cable suspension kit with adjustable 48" or 144" electrical feed cable for 1-circuit trac. Compatible with 15/16" flush T-Bar ceilings. Includes canopy, T-bar clip, mounting plate, cable hardware and flexible electrical feed cable. Trac feed connector not included (order separately). Trac requires support every 4'.</p>	<p><b>Rigid Ceiling Cable Suspension/Feed Kit</b></p> <p>Cable suspension kit with adjustable 48" or 144" electrical feed cable for 1-circuit trac. Attaches directly to junction box in rigid ceilings. Includes canopy, J-box mounting strap, cable hardware and flexible electrical feed cable. Trac feed connector not included (order separately). Trac requires support every 4'.</p> 

**Note:** Cable suspension is recommended for pattern installations only, or those installations that are supplemented with additional rigid mounting points (stems, threaded rod, etc.).

### Accessories

Example: T31N BL

T37F	T37D	T37F916	T37D916
<p><b>15/16" T-Bar Attachment Clip</b></p> <p>To attach to inverted tee ceilings using flush tiles. Use two for 2' or 4' trac and three for 6' or 8' trac.</p> 	<p><b>15/16" T-Bar Attachment Clip</b></p> <p>Same as <b>T37F</b> with spacer for ceilings using drop tiles.</p>	<p><b>9/16" T-Bar Attachment Clip</b></p> <p>To attach to inverted tee ceilings using flush or drop tiles. Use two for 2' or 4' trac and three for 6' or 8' trac.</p> 	<p><b>9/16" T-Bar Attachment Clip</b></p> <p>Same as <b>T37F916</b> with spacer for ceilings using drop tiles.</p>

T31N	T32	T33	T39
BL, SL, WH	BL, SL, WH	BL, SL, WH	
<p><b>Pendant Adapter</b></p> <p>Adapts corded, swag or chain-hung fixture to trac. Includes loop hook for chain installation and strain relief for direct cord suspension. Chain installation accepts cord diameters up to 0.270" and supports up to 15 lbs. Strain relief installation accepts cord diameters of 0.170" to 0.255", type SVT 18/3, and supports up to 5 lbs. May also be specified with GTYPE, HTYPE or LTYPE Alternate Mounting Adapters (i.e. T31N HTYPE WH). 5A max. UL Listed.</p> 	<p><b>Plant or Utility Hook</b></p> <p>Supports up to 25 lbs. Not UL Listed.</p> 	<p><b>Outlet Adapter</b></p> <p>Provides electrical receptacle. Not UL Listed.</p> 	<p><b>Trac Wireway Cover</b></p> <p>4' black thermoplastic extrusion, covers wire carried in trac wireway. Use one for 4' trac, two for 8' and three for 12' trac. Can be field cut.</p> 

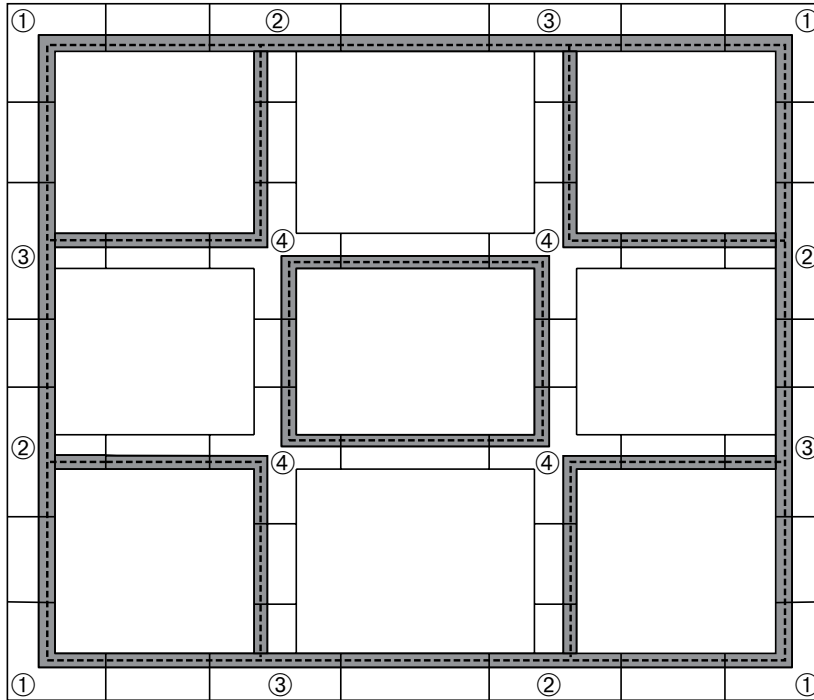
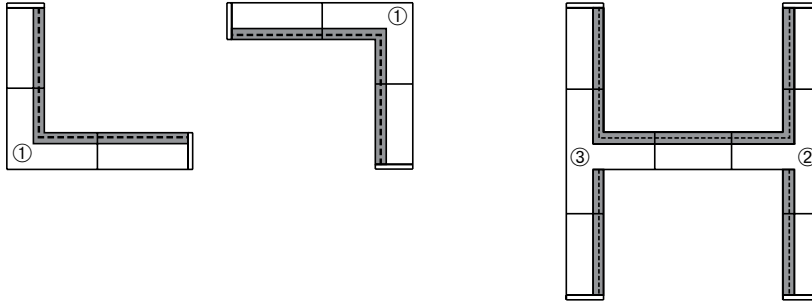
Type: T1

# TRAC-MASTER®

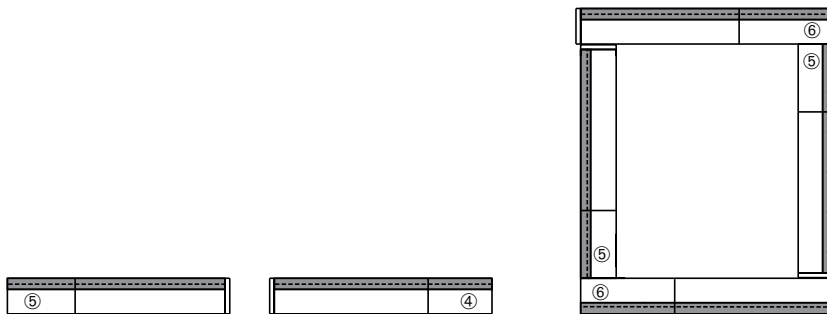
One Circuit Trac System

## TRAC SECTION, JOINERS & FEEDS T Series

### Example Trac Configurations & Recommended Components (Top Plan View)



- ① Standard "L" Connector – **T24N**
- ② Standard "T" Connector – **T25**
- ③ Reverse Polarity "T" Connector – **T25 RP**
- ④ Standard "X" Connector – **T26**
- ⑤ Standard End Feed Connector – **T38** (or similar End Feed)
- ⑥ Reverse Polarity End Feed Connector – **T38 RP** (or similar Reverse Polarity End Feed)



(Each run controlled by separate feeds)



Project: \_\_\_\_\_  
 Fixture Type: \_\_\_\_\_  
 Location: \_\_\_\_\_  
 Contact/Phone: \_\_\_\_\_

Type: T2

# TRAC-MASTER®

One Circuit Trac System

## TRAC SECTION, JOINERS & FEEDS T Series

### PRODUCT DESCRIPTION

Low-Profile, single-circuit trac sections for surface or pendant mounting. I-beam cross section provides added strength and rigidity in pendant suspended applications. Compatible with a full range of feed, connector and mounting accessories, as listed on back of this page, to complete virtually any installation requirement. Accepts all Trac-Master and Trac-Lites trac fixtures.

### PRODUCT SPECIFICATIONS

**Construction** Extruded aluminum "I" beam channel • One-piece thermoplastic insulator • Injection molded polycarbonate dead-end with set screw • Standard lengths may be cut-to-length by installer.

**Electrical** Two 12 gauge solid copper conductors • Rated 20 amps at 120 volts • Aluminum channel used as system ground • One-piece insulator insures consistent conductor spacing for reliable electrical contact • Insulating bushings supplied at mounting hole locations to prevent shorts to ground.

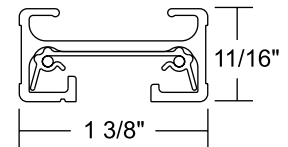
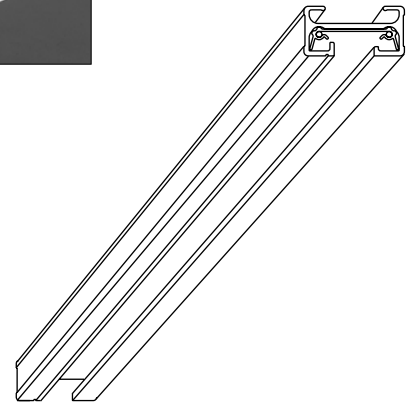
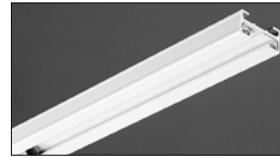
**Labels** UL listed, CSA certified.

### PRODUCT INSTALLATION

Debossed polarity line provides visual cue to proper trac, trac connector and fixture alignment • Supplied with toggle bolts for surface mounting • Integral raceway in top of channel accommodates pendant mounting hardware and wire routing to electrical feed • Insulator stays same length as extrusion to simplify field-cutting of trac • Connectors and feeds simply push into trac sections.

Specifications subject to change without notice.

### DIMENSIONS



### ORDERING INFORMATION

Example: T 8FT WH

Series	Length	Finish
T Trac-Master 1-Circuit Track Sections	<b>2FT</b> 2-foot track section; actual length 19-7/8"	<b>BL</b> Black
	<b>4FT</b> 4-foot track section; actual length 43-7/8"	<b>NAT</b> Natural
	<b>6FT</b> 6-foot track section; actual length 67-7/8"	<b>SL</b> Silver
	<b>8FT</b> 8-foot track section; actual length 91-7/8"	<b>WH</b> White
	<b>12FT</b> 12-foot track section; actual length 139-7/8"	

#### NOTE:

Supply current limiting as required per code when applicable.

Type: T2

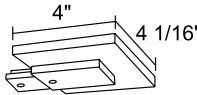
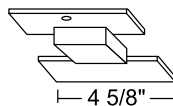
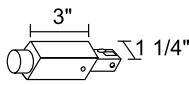
# TRAC-MASTER®

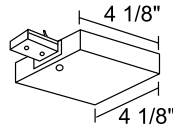
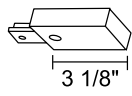
One Circuit Trac System

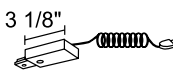
## TRAC SECTION, JOINERS & FEEDS T Series

### Electrical Feeds

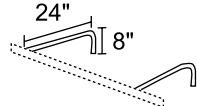
Examples: T21, BL, T34, RP, WH

T21	T21 RP	T29	T34	T34 RP
BL, SL, WH	BL, SL, WH	BL, SL, WH	BL, SL, WH	BL, SL, WH
<p><b>End Feed Connector and Outlet Box Cover</b></p> <p>For outlet box feed. Includes: outlet box cover, fixture strap and ground screw.</p> 	<p><b>End Feed Connector and Outlet Box Cover</b></p> <p>Same as T21 except designed for use in opposite polarity orientation compared to standard feed connectors.</p>	<p><b>Floating Electrical Feed</b></p> <p>Permits mounting any point of trac under outlet box. Includes floating connector, outlet box cover plus extra trac dead end.</p> 	<p><b>Conduit End Feed</b></p> <p>For surface wiring. Use standard 1/2" connector.</p> 	<p><b>Conduit End Feed</b></p> <p>Same as T34 except designed for use in opposite polarity orientation compared to standard feed connectors.</p>

T36	T36 RP	T38	T38 RP
BL, SL, WH	BL, SL, WH	BL, SL, WH	BL, SL, WH
<p><b>T-Bar End Feed</b></p> <p>Wiring compartment contains standard 1/2" KO's. Feeds surface trac from above, when T-bar is directly above trac.</p> 	<p><b>T-Bar End Feed</b></p> <p>Same as T36 except designed for use in opposite polarity orientation compared to standard feed connectors.</p>	<p><b>Live End Feed Connector</b></p> <p>Feed trac from above with flexible conduit, BX, etc., or end feed in pendant systems. Accepts standard 1/2" connector.</p> 	<p><b>Live End Feed Connector</b></p> <p>Same as T38 except designed for use in opposite polarity orientation compared to standard feed connectors.</p>

T22	T122
BL, SL, WH	BL, SL, WH
<p><b>Cord and Plug End Feed</b></p> <p>Comes with 15' two-wire white cord. Includes surface wire retainers and in-line switch. Max cap. 7 amps. Not UL Listed.</p> 	<p><b>Cord and Plug End Feed</b></p> <p>Same as T122 but with matching color 3-wire grounded cord and plug. No switch. Not UL Listed.</p>

### Outrigger System

T47
BL, WH
<p><b>Outrigger Bracket (non-electrified)</b></p> <p>For mounting trac out from wall. Use two for 2', 4' or 6' trac sections, three for 8' trac sections and four for 12' trac sections. Order trac and connectors separately. For portable electrical feed, use T22 or T122 Cord &amp; Plug Connector. For permanent wiring, use T38 end feed connector.</p> 

Type: T2


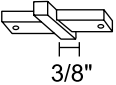
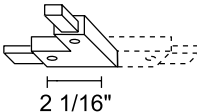
**TRAC-MASTER®**

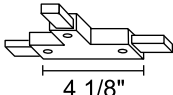
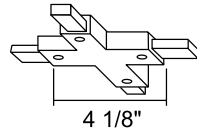
One Circuit Trac System

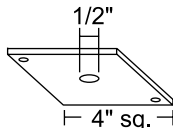

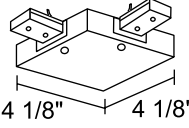
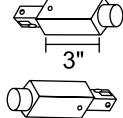
**TRAC SECTION, JOINERS & FEEDS**  
**T Series**

**Trac Joiners & Dead End**

Examples: T20 BL, T25 RP, WH

T20	T23	T24N ‡	T24F ‡
BL, SL, WH	BL, SL, WH	BL, SL, WH	BL, SL, WH
<p><b>Accordion Adjustable Joiner</b></p> <p>Can flex to 90° angle to left, right, up or down. Joins two trac sections.</p>  <p>2"</p>	<p><b>Miniature Straight Connector</b></p> <p>Joins two trac sections end to end.</p>  <p>3/8"</p>	<p><b>Adjustable Connector</b></p> <p>Joins two trac sections to make a 90° angle or straight run. Straight and right angle covers supplied. For outlet box feed, No. T27 cover plate required.</p>  <p>2 1/16"</p>	<p><b>Adjustable Connector</b></p> <p>Same as T24 but with integral ground connection. For outlet box feed, No. T27 cover plate required.</p>

T25 ‡	T25 RP ‡	T25 F ‡	T26 ‡	T26 F ‡
BL, SL, WH	BL, SL, WH	BL, SL, WH	BL, SL, WH	BL, SL, WH
<p><b>"T" Connector</b></p> <p>Joins three trac sections. For outlet box feed, No. T27 cover plate required.</p>  <p>4 1/8"</p>	<p><b>"T" Connector</b></p> <p>Same as T25 except designed for use in opposite polarity orientation compared to standard feed connectors.</p>	<p><b>"T" Connector</b></p> <p>Same as T25 but with integral ground connection. For outlet box feed, No. T27 cover plate required.</p>	<p><b>"X" Connector</b></p> <p>Joins four trac sections at 90° angles. For outlet box feed, T27 cover plate required.</p>  <p>4 1/8"</p>	<p><b>"X" Connector</b></p> <p>Same as T26 but with integral ground connection. For outlet box feed, No. T27 cover plate required.</p>

T27	T28	T35	T49
BL, SL, WH	BL, SL, WH	BL, SL, WH	BL, SL, WH
<p><b>Outlet Box Cover</b></p> <p>Use with Nos. T24/T25/T26 for outlet box electrical feed. Includes: nipple, locknut and ground screw.</p>  <p>1/2" 4" sq.</p>	<p><b>Trac Dead End</b></p> <p>For use with field-cut trac sections.</p> 	<p><b>T-Bar Adjustable Joiner Feed</b></p> <p>Joins two trac sections to make 90° angle or straight run. Wiring compartment contains standard 1/2" KO's. Feeds from above when T-bar is directly above trac.</p>  <p>4 1/8" 4 1/8"</p>	<p><b>Trac Continuation Kit</b></p> <p>Permits trac to continue a run around obstructions. Includes one T34 Conduit Feed and one T34 RP Conduit Feed. Fits standard 1/2" conduit.</p>  <p>3"</p>

‡ T24N, T25 and T26 may not be used as feed connectors in Canada due to special grounding requirements – T24F, T25F & T26F are approved for use as feed connectors in Canada (may also be used in U.S.).

Type: T2

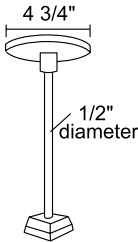
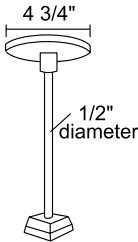
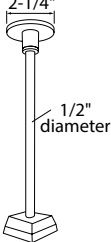
# TRAC-MASTER®

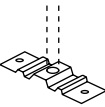
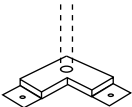
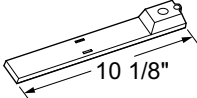

One Circuit Trac System



## TRAC SECTION, JOINERS & FEEDS T Series

### Pendant Stems

Examples: T90 12IN, BL, T93, BL

T90	T91	T9091M
12IN, 18IN, 24IN, 36IN, 48IN	12IN, 18IN, 24IN, 36IN, 48IN	12IN, 18IN, 24IN, 36IN, 48IN
BL, SL, WH	BL, SL, WH	BL, SL, WH
<p><b>T-Bar Pendant Stem Kit</b></p> <p>Compatible with 15/16" flush T-Bar ceilings. Use two for 2', 4', 6' of trac or three for 8' of trac. Includes canopy, T-Bar mounting plate, stem and trac attachment hardware. For electrical feed, order <b>T93</b> wireway cover.</p> 	<p><b>Rigid Ceiling Pendant Stem Kit</b></p> <p>Attaches directly to junction box in rigid ceilings. Use two for 2', 4', 6' of trac or three for 8' of trac. Includes canopy, J-Box mounting strap, stem and trac attachment hardware. For electrical feed, order <b>T93</b> wireway cover.</p> 	<p><b>Pendant Stem Mechanical Support Kit</b></p> <p>For mechanical support only (no feed). Suspends Trac from T-bar or rigid ceilings. Use two for 2', 4', 6' of trac or three for 8' of trac or four for 12' of trac (support is required every 4 feet). Includes Mini-Canopy, pendant stem, 15/16" T-bar clip, drywall anchor and Trac mounting hardware.</p> 

T92	T92 L	T93	T94
	BL, SL, WH	BL, SL, WH	BL, SL, WH
<p><b>Straight Structural Bridge</b></p> <p>For use with <b>T24</b> Straight Connector. Permits mounting Pendant Stem Kits (T90, T91) at center of Trac Joiner.</p> 	<p><b>Corner Structural Bridge</b></p> <p>For use with <b>T24</b> Right Angle Connector. Permits mounting Pendant Stem Kits (T90, T91) at center of Right Angle Connector.</p> 	<p><b>Wireway Cover</b></p> <p>For Pendant Stem Kits <b>T90</b> and <b>T91</b>. Conceals electrical feed wires from stem to connector. One cover required for each trac feed.</p> 	<p><b>Sloped Ceiling Adapter</b></p> <p>Allows <b>T90</b> or <b>T91</b> pendant to hang straight down from sloped ceilings. Can be used to feed electrical wires to Trac at up to 60° angle.</p> 

T96	T56
BL, SL, WH	BL, SL, WH
<p><b>Pendant Stem Threaded Coupling</b></p> <p>Enables multiple pendant stems to be joined for higher ceiling applications.</p> 	<p><b>Solid Rod Pendant Mounting Kit</b></p> <p>Attaches solid 5/16" threaded rod to Trac. Includes: plastic cap, mounting bracket and hardware. Rod not supplied.</p> 

Type: T2

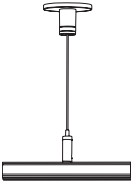
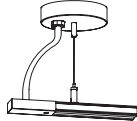
# TRAC-MASTER®

One Circuit Trac System

## TRAC SECTION, JOINERS & FEEDS T Series

### Cable Suspension



Examples: T595 48IN BL, T598 144IN WH

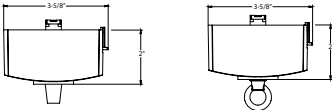
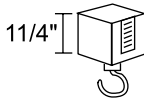
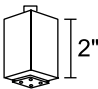
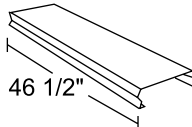
T595	T597	T596	T598
48IN, 144IN	48IN, 144IN	48IN, 144IN	48IN, 144IN
BL, WH	BL, WH	BL, WH	BL, WH
<p><b>T-Bar Ceiling Cable Suspension Kit</b></p> <p>Mechanical-only cable suspension kit for 1-circuit or 2-circuit trac. Compatible with 15/16" flush T-Bar ceilings. Adjustable 48" or 144" stainless steel cable length. Includes mini-canopy, T-bar clip and cable hardware. Trac requires support every 4'.</p> 	<p><b>Rigid Ceiling Cable Suspension Kit</b></p> <p>Mechanical-only cable suspension kit for 1-circuit or 2-circuit trac. Attaches directly to junction box in rigid ceilings. Adjustable 48" or 144" stainless steel cable length. Includes mini-canopy, toggle bolt and cable hardware. Trac requires support every 4'.</p>	<p><b>T-Bar Ceiling Cable Suspension/Feed Kit</b></p> <p>Cable suspension kit with adjustable 48" or 144" electrical feed cable for 1-circuit trac. Compatible with 15/16" flush T-Bar ceilings. Includes canopy, T-bar clip, mounting plate, cable hardware and flexible electrical feed cable. Trac feed connector not included (order separately). Trac requires support every 4'.</p>	<p><b>Rigid Ceiling Cable Suspension/Feed Kit</b></p> <p>Cable suspension kit with adjustable 48" or 144" electrical feed cable for 1-circuit trac. Attaches directly to junction box in rigid ceilings. Includes canopy, J-box mounting strap, cable hardware and flexible electrical feed cable. Trac feed connector not included (order separately). Trac requires support every 4'.</p> 

**Note:** Cable suspension is recommended for pattern installations only, or those installations that are supplemented with additional rigid mounting points (stems, threaded rod, etc.).

### Accessories

Example: T31N BL

T37F	T37D	T37F916	T37D916
<p><b>15/16" T-Bar Attachment Clip</b></p> <p>To attach to inverted tee ceilings using flush tiles. Use two for 2' or 4' trac and three for 6' or 8' trac.</p> 	<p><b>15/16" T-Bar Attachment Clip</b></p> <p>Same as T37F with spacer for ceilings using drop tiles.</p>	<p><b>9/16" T-Bar Attachment Clip</b></p> <p>To attach to inverted tee ceilings using flush or drop tiles. Use two for 2' or 4' trac and three for 6' or 8' trac.</p> 	<p><b>9/16" T-Bar Attachment Clip</b></p> <p>Same as T37F916 with spacer for ceilings using drop tiles.</p>

T31N	T32	T33	T39
BL, SL, WH	BL, SL, WH	BL, SL, WH	
<p><b>Pendant Adapter</b></p> <p>Adapts corded, swag or chain-hung fixture to trac. Includes loop hook for chain installation and strain relief for direct cord suspension. Chain installation accepts cord diameters up to 0.270" and supports up to 15 lbs. Strain relief installation accepts cord diameters of 0.170" to 0.255", type SVT 18/3, and supports up to 5 lbs. May also be specified with GTYPE, HTYPE or LTYPE Alternate Mounting Adapters (i.e. T31N HTYPE WH). 5A max. UL Listed.</p> 	<p><b>Plant or Utility Hook</b></p> <p>Supports up to 25 lbs. Not UL Listed.</p> 	<p><b>Outlet Adapter</b></p> <p>Provides electrical receptacle. Not UL Listed.</p> 	<p><b>Trac Wireway Cover</b></p> <p>4' black thermoplastic extrusion, covers wire carried in trac wireway. Use one for 4' trac, two for 8' and three for 12' trac. Can be field cut.</p> 

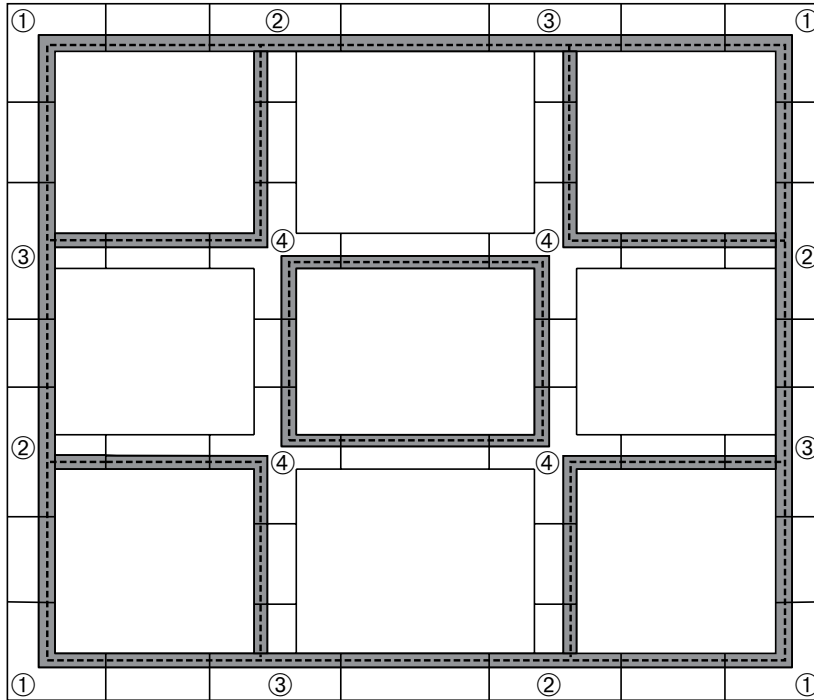
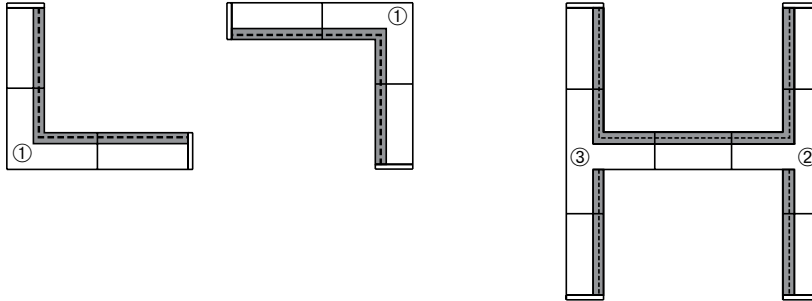
Type: T2

# TRAC-MASTER®

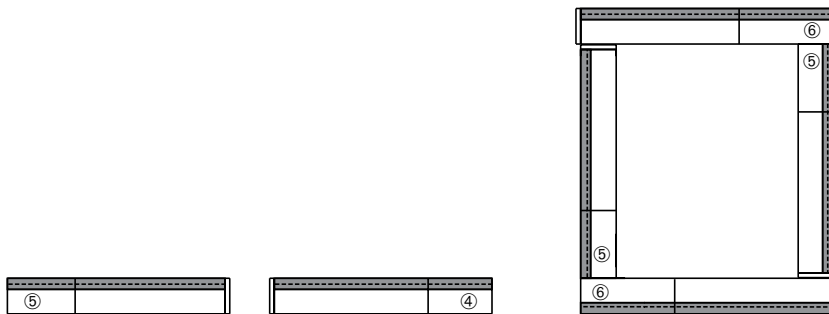
One Circuit Trac System

## TRAC SECTION, JOINERS & FEEDS T Series

### Example Trac Configurations & Recommended Components (Top Plan View)



- ① Standard "L" Connector – T24N
- ② Standard "T" Connector – T25
- ③ Reverse Polarity "T" Connector – T25 RP
- ④ Standard "X" Connector – T26
- ⑤ Standard End Feed Connector – T38 (or similar End Feed)
- ⑥ Reverse Polarity End Feed Connector – T38 RP (or similar Reverse Polarity End Feed)



(Each run controlled by separate feeds)

Type: TF1

**EMILY SERIES**  
DIE CAST CYLINDER TRACKHEAD

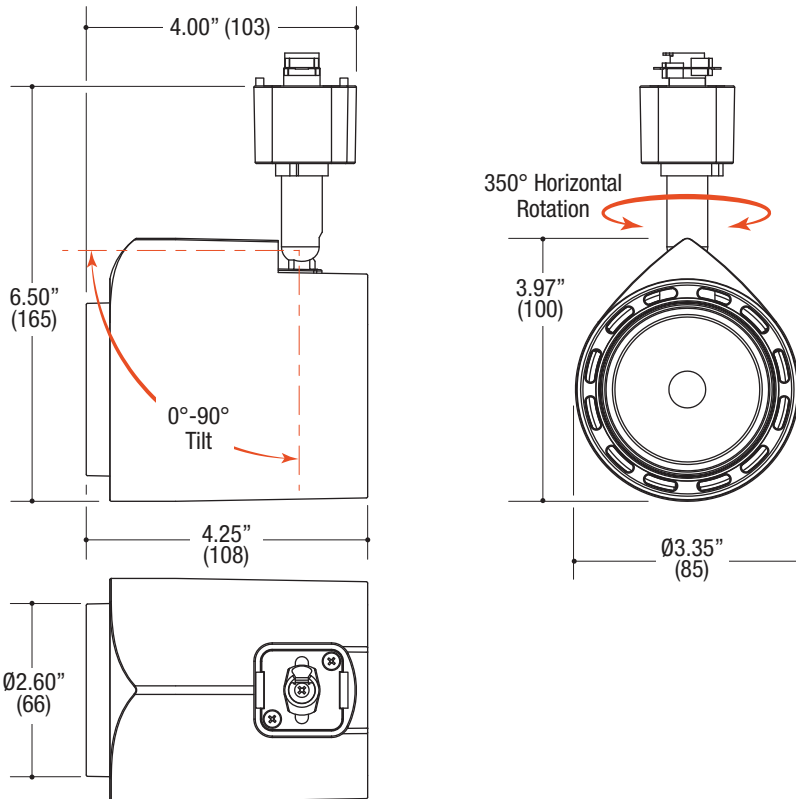
**LED INTEGRAL DRIVER SMALL**

PROJECT

TYPE

CATALOG NUMBER

## EMILY Cylindrical Trackhead



## Specifications

### TRACKHEAD

- Cylinder shaped trackhead
- 0° - 90° vertical tilting / 350° horizontal rotation
- Die cast aluminum heatsink housing
- Optimal thermal dissipation
- Powder coat finish

### LED SOURCE

#### CREE

- Interchangeable optics
- 13W / 1045lm (@ 92CRI / 3000K nom.)
- 19W / 1583lm (@ 92CRI / 3000K nom.)

### ELECTRICAL

- Integral LED driver

### MOUNTING

- Compatible with Juno®, Halo®, GES®, TEK®, XTS® or Lightolier®

### LABELS

- Suitable for dry location



**5 YEAR WARRANTY**

Limited

*Halo® is a registered trademark of Cooper Industries,  
Juno® is a registered trademark of Juno Lighting,  
Global® is a registered trademark of Nordic Aluminium.  
Lightolier® is a registered trademark of Philips.*

### ORDERING INFO

SERIES	ADAPTER	WATTAGE	CRI	COLOR	BEAM	POWER SUPPLY	VOLTAGE	FINISH
<b>TRA24-B</b>	<b>H</b> Halo® compatible	<b>13C</b> 13W LED	<b>92</b>	<b>27</b> 2700	<b>M</b> Medium Reflector 24°	<b>D1</b>	<b>1</b> 120V	<b>BB</b>
<b>EMILY SMALL TRACKHEAD</b> Die-Cast Aluminum Adjustable Aim	<b>J</b> Juno® compatible <b>G</b> Global® GES compatible <b>T</b> Global® TEK compatible <b>X</b> Global® XTS compatible <b>L</b> Lightolier compatible	1045lm del. <b>19C</b> 19W LED 1583lm del. Delivered @ 92CRI / 3000K Narrow Beam 		<b>30</b> 3000 <b>35</b> 3500 <b>40</b> 4000 <b>50</b> 5000	Optional Optics: Narrow: <b>LF# OPT-TRA24B-REFLN 15°</b> Wide: <b>LF# OPT-TRA24B-REFLW 40°</b> Very Wide: <b>LF# OPT-TRA24B-REFLV 60°</b>	Phase Dimming (120V dimming only)	<b>4*</b> 240V * "X" Adapter Only	<b>WW</b> White <b>AG</b> Aluminum <b>Grey</b>

Ordering Example: **TRA24-B-J-13C-92-35-M-D1-1-WW**

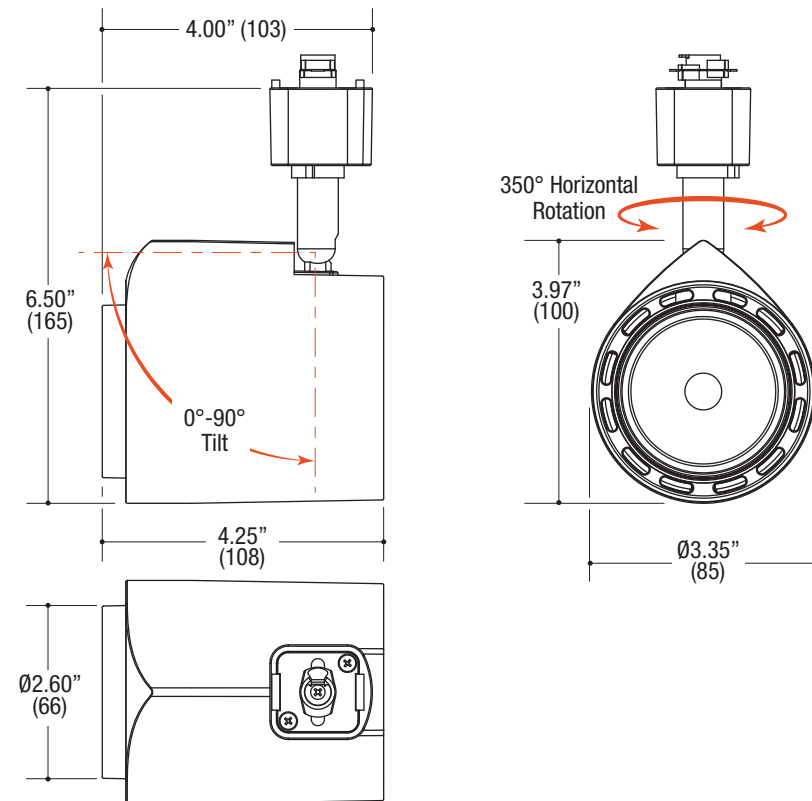
Type: TF2

**EMILY SERIES**  
DIE CAST CYLINDER TRACKHEAD

**LED INTEGRAL DRIVER SMALL**

PROJECT	TYPE	CATALOG NUMBER
---------	------	----------------

## EMILY Cylindrical Trackhead



## Specifications

### TRACKHEAD

- Cylinder shaped trackhead
- 0° - 90° vertical tilting / 350° horizontal rotation
- Die cast aluminum heatsink housing
- Optimal thermal dissipation
- Powder coat finish

### LED SOURCE

#### CREE

- Interchangeable optics
- 13W / 1045lm (@ 92CRI / 3000K nom.)
- 19W / 1583lm (@ 92CRI / 3000K nom.)

### ELECTRICAL

- Integral LED driver

### MOUNTING

- Compatible with Juno®, Halo®, GES®, TEK®, XTS® or Lightolier®

### LABELS

- Suitable for dry location



**5 YEAR WARRANTY**

Limited

*Halo® is a registered trademark of Cooper Industries,  
Juno® is a registered trademark of Juno Lighting,  
Global® is a registered trademark of Nordic Aluminium.  
Lightolier® is a registered trademark of Philips.*

### ORDERING INFO

SERIES	ADAPTER	WATTAGE	CRI	COLOR	BEAM	POWER SUPPLY	VOLTAGE	FINISH
<b>TRA24-B</b>	<b>H</b> Halo® compatible	<b>13C</b> 13W LED	<b>92</b>	<b>27</b> 2700	<b>M</b> Medium Reflector 24°	<b>D1</b>	<b>1</b> 120V	<b>BB</b> Black
<b>EMILY SMALL TRACKHEAD</b> Die-Cast Aluminum Adjustable Aim	<b>J</b> Juno® compatible <b>G</b> Global® GES compatible <b>T</b> Global® TEK compatible <b>X</b> Global® XTS compatible <b>L</b> Lightolier compatible	1045lm del. <b>19C</b> 19W LED 1583lm del. Delivered @ 92CRI / 3000K Narrow Beam		<b>30</b> 3000 <b>35</b> 3500 <b>40</b> 4000 <b>50</b> 5000	Optional Optics: Narrow: LF# OPT-TRA24B-REFLN 15° Wide: LF# OPT-TRA24B-REFLW 40° Very Wide: LF# OPT-TRA24B-REFLV 60°	Phase Dimming (120V dimming only)	<b>4*</b> 240V * "X" Adapter Only	<b>WW</b> White <b>AG</b> Aluminum Grey

Ordering Example: **TRA24-B-J-13C-92-35-M-D1-1-WW**

# PLANEX®

TYPE IC | INDOOR | DAMP | EMERGENCY BACKUP

TITLE  
24



## FLAT PANEL LED

- **PLANEX®** is DesignLights Consortium® qualified for Luminaires for Ambient Lighting of Interior Commercial Spaces.
- **EMERGENCY BACKUP** available. Emergency mode initial lumen output: 1300 lm.
- **HOUSING:** White powder coated aluminum frame. Low profile design.



**APPLICATION:** The PLANEX® is ideal for hospitality, healthcare, offices, banks, retail, hotels, restaurants and schools.

### CONFIGURATIONS

MODEL	SIZE	LED/COLOR TEMP	INPUT	OPTIONS
PLX	14 (1' x 4')	WT30 <sup>1</sup> (3000K)	120-277V	EM (emergency backup - all sizes)
	2 (2' x 2')	WT35 (3500K)		AC_50 <sup>2</sup> (aircraft cable kit suspension mount)
	4 (2' x 4')	WT40 (4000K)		PLX14-SM <sup>3</sup> (1x4 surface mount kit)
		WT50 (5000K)		PLX2-SM <sup>3</sup> (2x2 surface mount kit)
				PLX4-SM <sup>3</sup> (2x4 surface mount kit)
				PLX14-RM <sup>3</sup> (1x4 recessed mount kit)
				<b>PLX2-RM<sup>3</sup> (2x2 recessed mount kit)</b>
				PLX4-RM <sup>3</sup> (2x4 recessed mount kit)

NOTE 1: Special order may have longer lead time.  
 NOTE 2: Requires surface kit for suspension mount.  
 NOTE 3: Both surface and recessed mount kits must be ordered as a separate line item.

#### MECHANICAL:

- Extruded aluminum frame
- White powder coat finish
- Approved for insulated ceilings

#### ELECTRICAL:

- Color Temp: 3000K, 3500K, 4000K, 5000K
- Input Voltage: 120-277V

#### WATTAGE/WEIGHT:

- PLX14: 40W (12 lbs)
- PLX2: 40W (11 lbs)
- PLX4: 75W (15 lbs)

#### DIMMING:

- Built in 3-in-1 dimming
- **1-10V** or PWM Signal or Resistance
- Compatible with most dimming systems

#### EMERGENCY:

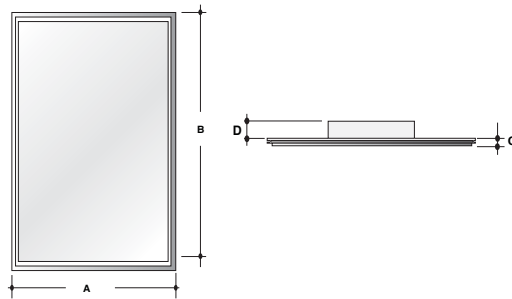
- Minimum 90 minute runtime.
- All-in-One remote configuration.

**OPERATING TEMP:** -20°C to +50°C

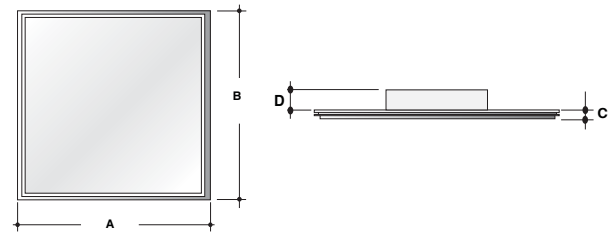
#### MOUNTING:

- Grid ceilings (GRD) - standard safety/suspension cable included.
- Surface and Recessed Mounts are available contact factory for details.

**WARRANTY:** 5 year warranty, see website for full warranty details.



MODEL	A	B	C	D
PLX14	11.8" (300 MM)	47.7" (1212 MM)	0.5" (12.1 MM)	1.8" (44.5 MM)
PLX4	23.7" (603 MM)	47.7" (1212 MM)	0.5" (12.1 MM)	1.8" (44.5 MM)



MODEL	A	B	C	D
PLX2	23.7" (603 MM)	23.7" (603 MM)	0.5" (12.1 MM)	1.9" (44.5 MM)

# PLANEX®

TYPE IC | INDOOR | DAMP | EMERGENCY BACKUP

TITLE  
24



## FLAT PANEL LED

- **PLANEX®** is DesignLights Consortium® qualified for Luminaires for Ambient Lighting of Interior Commercial Spaces.
- **EMERGENCY BACKUP** available. Emergency mode initial lumen output: 1300 lm.
- **HOUSING:** White powder coated aluminum frame. Low profile design.



**APPLICATION:** The PLANEX® is ideal for hospitality, healthcare, offices, banks, retail, hotels, restaurants and schools.

### CONFIGURATIONS

MODEL	SIZE	LED/COLOR TEMP	INPUT	OPTIONS
PLX	14 (1' x 4')	WT30 <sup>1</sup> (3000K)	120-277V	EM (emergency backup - all sizes)
	2 (2' x 2')	WT35 (3500K)		AC_50 <sup>2</sup> (aircraft cable kit suspension mount)
	4 (2' x 4')	WT40 (4000K) WT50 (5000K)		PLX14-SM <sup>3</sup> (1x4 surface mount kit) PLX2-SM <sup>3</sup> (2x2 surface mount kit) PLX4-SM <sup>3</sup> (2x4 surface mount kit) PLX14-RM <sup>3</sup> (1x4 recessed mount kit) PLX2-RM <sup>3</sup> (2x2 recessed mount kit) PLX4-RM <sup>3</sup> (2x4 recessed mount kit)

NOTE 1: Special order may have longer lead time.  
 NOTE 2: Requires surface kit for suspension mount.  
 NOTE 3: Both surface and recessed mount kits must be ordered as a separate line item.

#### MECHANICAL:

- Extruded aluminum frame
- White powder coat finish
- Approved for insulated ceilings

#### ELECTRICAL:

- Color Temp: 3000K, 3500K, 4000K, 5000K
- Input Voltage: 120-277V

#### WATTAGE/WEIGHT:

- PLX14: 40W (12 lbs)
- PLX2: 40W (11 lbs)
- PLX4: 75W (15 lbs)

#### DIMMING:

- Built in 3-in-1 dimming
- 1-10V or PWM Signal or Resistance
- Compatible with most dimming systems

#### EMERGENCY:

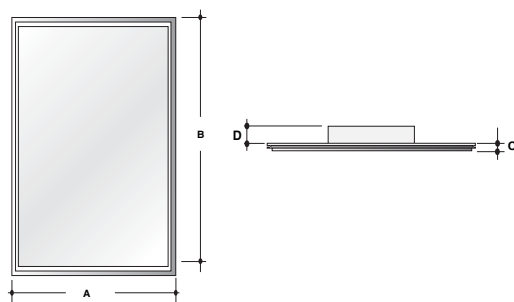
- Minimum 90 minute runtime.
- All-in-One remote configuration.

**OPERATING TEMP:** -20°C to +50°C

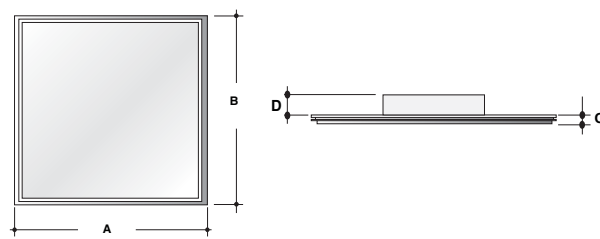
#### MOUNTING:

- Grid ceilings (GRD) - standard safety/suspension cable included.
- Surface and Recessed Mounts are available contact factory for details.

**WARRANTY:** 5 year warranty, see website for full warranty details.



MODEL	A	B	C	D
PLX14	11.8" (300 MM)	47.7" (1212 MM)	0.5" (12.1 MM)	1.8" (44.5 MM)
PLX4	23.7" (603 MM)	47.7" (1212 MM)	0.5" (12.1 MM)	1.8" (44.5 MM)



MODEL	A	B	C	D
PLX2	23.7" (603 MM)	23.7" (603 MM)	0.5" (12.1 MM)	1.9" (44.5 MM)



### PRODUCT SPECIFICATIONS



- Fire Rated: UL Listed fire resistance rated for up to two hours
- Sound Rated: Constructed to dampen unwanted noise
- 750 & 1000 lumen outputs
- 2700K, 3000K, 3500K, 4000K CCT
- Flicker-free TRIAC/ELV, 0-10V or Lutron Hi-lume 1% dimming
- IC rated, cULus Listed, ENERGY STAR® qualified, Title 24 compliant, UL Fire Listed, UL Listed for Wet Location, ASTM E283 certified Air Tight

### Frame-in Kit

**HOUSING:** Fire and sound-rated housing. Up to 120 minute fire rated L500 (floor-ceiling) & P500 (roof-ceiling) design. Die formed #24 gauge galvanized steel construction. Snap on galvanized cover. Non-combustible matt insulation.

**JUNCTION BOX:** Pre-wired #18 gauge galvanized steel junction box with (7) 1/2" knockouts and (4) Romex® knockouts and removable plates. Supplied with quick connectors for easy installation. Through branch wiring maximum of (8) #12 AWG 90°C branch circuit connectors (four-in, four-out).

**MOUNTING:** Pre-installed adjustable bar hangers engineered to accommodate lumber, laminated beams and T-bar.

**CEILING:** 1/2" up to 1".

**CUTOUT:** 4 3/8" (4" frame-in kit), 5 3/4" (5" frame-in kit), 6 3/8" (6" frame-in kit).

### Light Engine

**LED:** Tightly binned, high performing white Cree® LED.

**LUMEN OUTPUT (POWER):** 750 lm (11.8W), 1000 lm (14.7W).

**COLOR QUALITY:** 93+ CRI, 2-step SDCM.

**CCT OPTIONS:** 2700K, 3000K, 3500K, 4000K.

**CONNECTOR:** PowerPlug® Luminaire Disconnect Model 182 (TRIAC/ELV), Model 102 (0-10V, Lutron Hi-lume® 1% and/or emergency lighting).

**INPUT VOLTAGE:** 120/277V.

**DIMMING:** Down to less than 5% for TRIAC/ELV at 120V or 0-10V at 120/277V. Down to less than 1% for Lutron Hi-lume® 1% at 120/277V.

**EMERGENCY LIGHTING:** Optional Emergency LED Driver for lighting up to 90 minutes in event of power failure.

**LIFETIME:** 50,000 hours at 70% lumen maintenance.

**PHOTOMETRIC TESTING:** Tested in accordance to IESNA LM-79-2008.

**LISTINGS:** cULus Listed. IC rated. ENERGY STAR® qualified. California Title 24 JA8 compliant. ASTM E283 certified Air Tight. Fire Rated. STC/IIC Sound Rated. UL Listed for Wet location.

**WARRANTY:** 5 year limited warranty.

### Trim

**CONSTRUCTION:** Die-cast aluminum. Twist & Lock mounting allows easy field installation and tight ceiling fit.



Product Code:	Type:	
Project:	Contact:	Date:



### PRODUCT SELECTION GUIDE

#### FRAME-IN KIT (Product Code Example: F4L)

APERTURE	FIRE RATING	DRIVER	OPTION
F4L 4" Aperture	[Blank] 1 Hour Fire Rating	[Blank] Integrated TRIAC/ELV	[Blank] None
F5L 5" Aperture	2 2 Hour Fire Rating	7O 0-10V, 750 lm	EM Emergency Driver <i>Only available for 0-10V and Lutron Hi-Lume 1% driver</i>
F6L 6" Aperture	Fire Rating to be determined based on requirements of project.	10O 0-10V, 1000 lm	
		7C Lutron LDE1 <sup>1</sup> , 750 lm	
		10C Lutron LDE1 <sup>1</sup> , 1000 lm	
		7W Lutron L3DA3W <sup>2</sup> , 750 lm	
		10W Lutron L3DA3W <sup>2</sup> , 1000 lm	

#### LIGHT ENGINE (Product Code Example: DRD2M7927)

PRODUCT CODE	LUMENS (WATTS)	CRI	CCT	DRIVER
DRD2M Module	7 750 lm (11.8W)	9 93+ CRI	27 2700K	[Blank] Integrated TRIAC/ELV
	10 1000 lm (14.7W)		30 3000K	A Alternate Dimming <i>Must be selected if 0-10V, Lutron Hi-Lume 1% or EM driver is selected for frame-in kit driver</i>
			35 3500K	
			40 4000K	

#### TRIM (Product Code Example: DRD2TR4SWH)

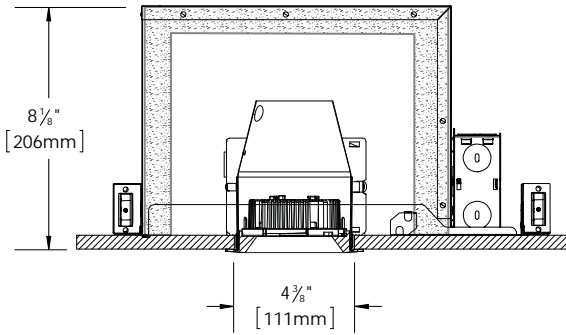
PRODUCT CODE	SHAPE	APERTURE	STYLE	FINISH	OPTION
DRD2T Trim	R Round	4 4" Aperture	S Smooth	WH White	[Blank] None
	S Square <i>Only available in 4" aperture, smooth style</i>	5 5" Aperture	B Baffle	BK Black	DF Dead Front <i>Only available in round shape, 4" aperture, smooth style; Compatible with 750 lm light engine only</i>
	D Deep <i>Only available in 6" aperture; smooth or baffle style; white, low iridescent or custom finish</i>	6 6" Aperture	W Wall Wash <i>Only available in white finish</i>	SW Silver Reflector, White Flange	
				AZ Low Iridescent Reflector, White Flange <i>Only available in deep shape</i>	
				CC Custom Color	

<sup>1</sup> Lutron LDE1 Dimming refers to Lutron Hi-lume 1% EcoSystem LED driver with Soft-on, Fade-to-Black™

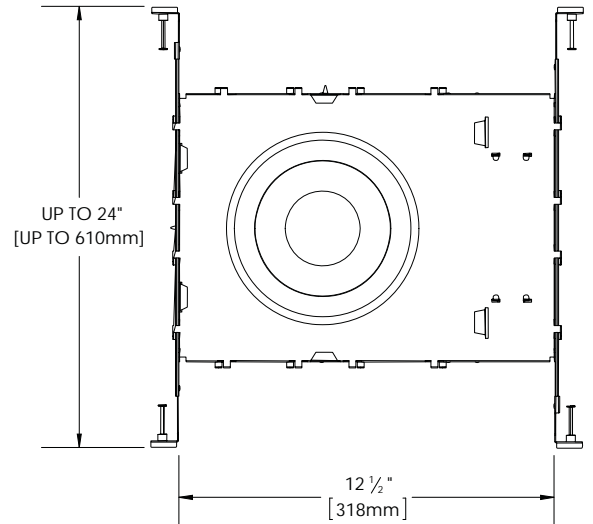
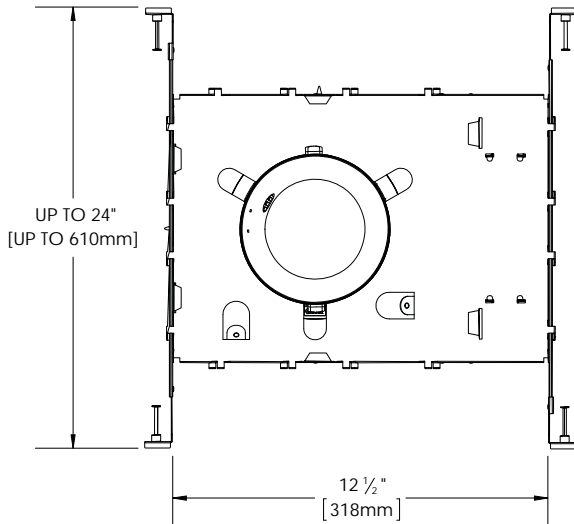
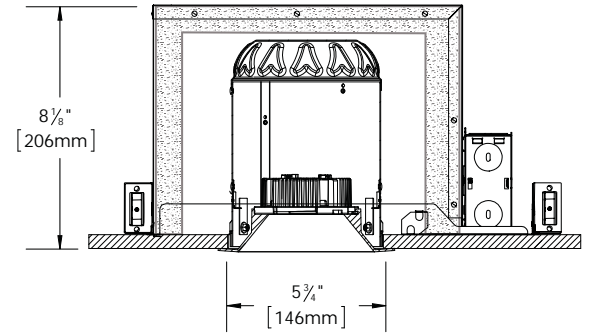
<sup>2</sup> Lutron L3DAE Dimming refers to Lutron Hi-lume 1% 3-wire LED driver

## FRAME-IN KIT DIMENSIONS

**F4L**  
 4" Fire Rated Housing

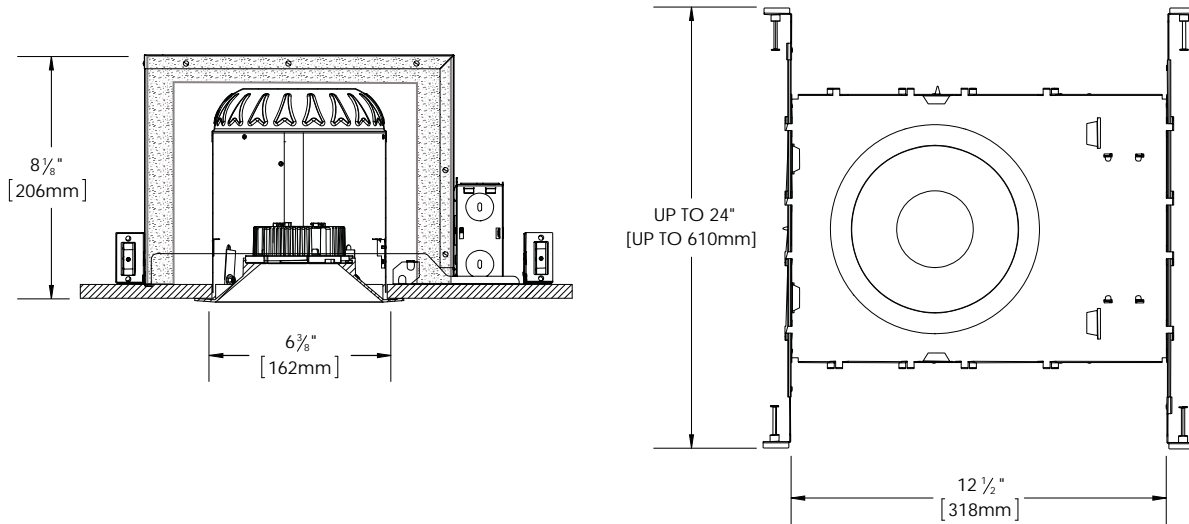


**F5L**  
 5" Fire Rated Housing



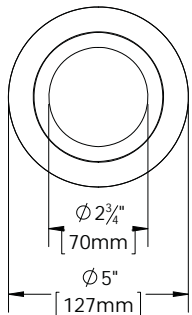
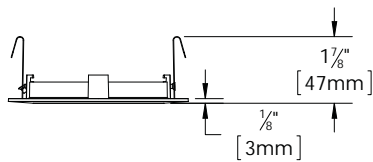
## FRAME-IN KIT DIMENSIONS

### F6L 6" Fire Rated Housing

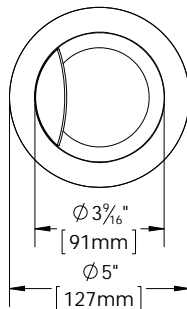
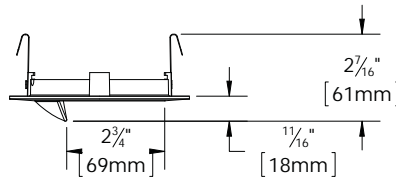


## TRIM DIMENSIONS

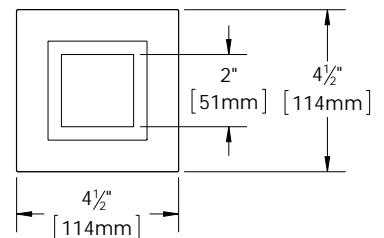
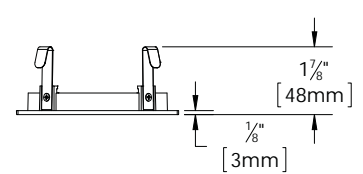
### DRD2TR4 4" Round Trim



### DRD2TR4W 4" Wall Wash Trim

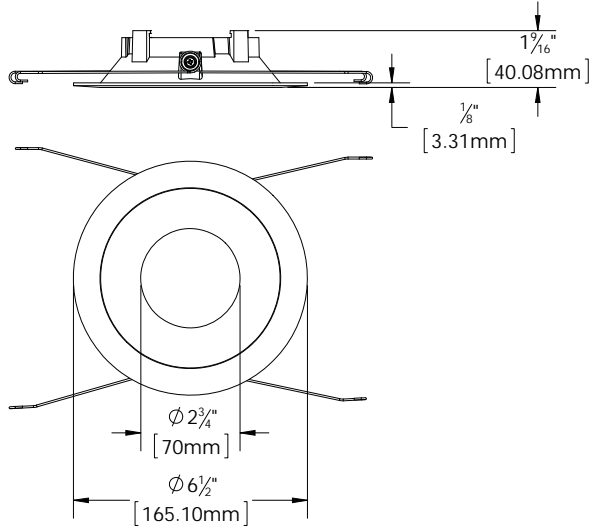


### DRD2TS4 4" Square Trim

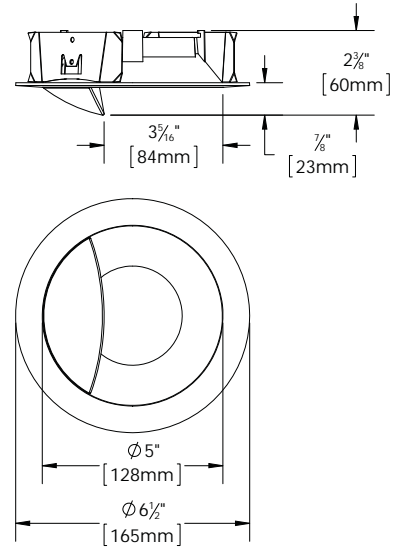


## TRIM DIMENSIONS

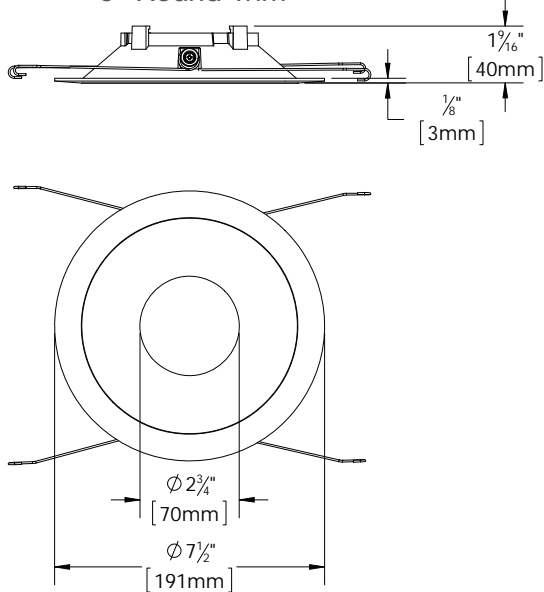
**DRD2TR5**  
5" Round Trim



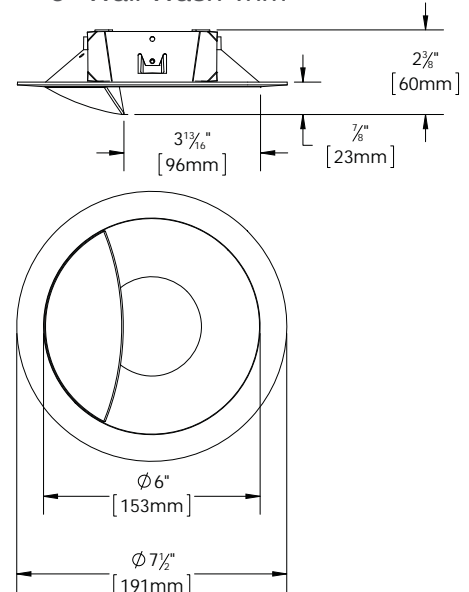
**DRD2TR5W**  
5" Wall Wash Trim



**DRD2TR6**  
6" Round Trim

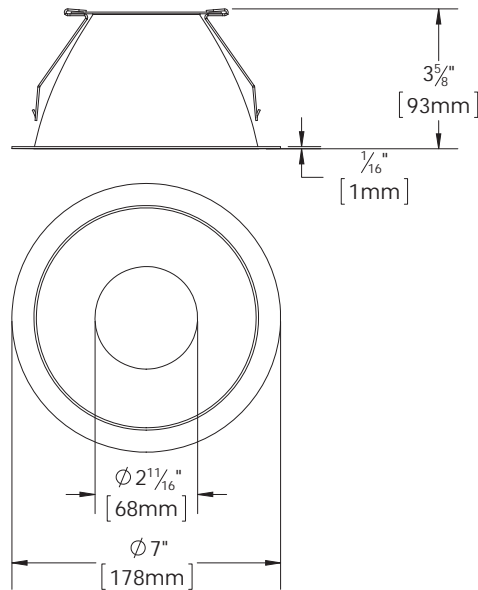


**DRD2TR6W**  
6" Wall Wash Trim



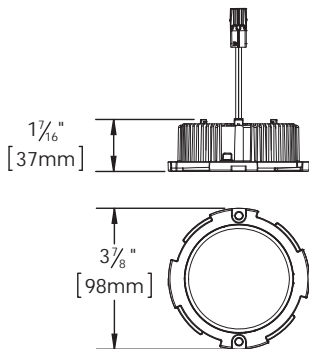
## TRIM DIMENSIONS

DRD2TD6  
6" Deep Trim



## LIGHT ENGINE OVERVIEW

DRD2M  
LED Module



	DRD2M7	DRD2M10
Total Module Lumen Output (lm)	750	1000
Total Rated Power (W)	11.8	14.7
Efficacy (lm/W)	64	68
Color Rendering Index	93+	
CCT Options	2700K, 3000K, 3500K, 4000K	
Optics	Flood	
Binning	2-step SDCM	
Lifetime (L70)	50,000 hours	
Max Ambient Operating Temperature	40°C	
Input Voltage (V)	120/277V, 50/60Hz	
Input Current at 120V (Max)	0.10A	0.13A
Input Current at 277V (Max)	0.042A	0.053A
Power Factor	>0.9	
Total Harmonic Distortion	<20%	
Dimming	100% - 5%	



Type: W1

### DIMMER COMPATIBILITY

#### Recommended Phase-control Dimmers (Dims down to 5% nominal measured light output)

Brand	Series	Model Number	Max Load DRD2M7	Max Load DRD2M10
Control 4	Control 4	C4-APD120	10	9
Cooper	Decorator	DLC03P, DAL06P	25	20
Legrand	Adorne	ADTP703TU	35	30
Lutron	Caseta	PD-6WCL	12	10
	CL Series	AYCL-153, CTCL-153, DVCL-153, LGCL-513, SCL-153, TGCL-513	12	10
	CL Series	AYCL-253, DVCL-253	20	15
	Grafik Eye 3000	QSGR-3P	30	25
	Grafik Sys / Homeworks	RPM-4A	25	20
	Grafik Sys / Homeworks	RPM-4U	30	25
	Maestro CL	MACL-153M, MSCL-OP153M, MSCL-VP153M	12	10
	Maestro Wireless	MRF2-6ELV, MRF2-6CL	12	10

#### Compatible Phase-control Dimmers<sup>1</sup> (Dims down to 20% nominal measured light output)

Brand	Series	Model Number	Max Load DRD2M7	Max Load DRD2M10
Cooper	Slide	SLC03P, SAL06P	25	20
Legrand	Harmony	H703PTU, HCL453P	30	25
Leviton	IllumaTech Slide	IPE04	25	20
	SureSlide	6621, 6674	10	10
Lutron	Diva	DV-600	12	10
	Maestro	MA-600	12	9
	Maestro ELV	MAELV-600, MSCELV-600	35	30
	Maestro Wireless	MRF2-6ND	12	10
	Radio RA	RRD-6NA, RRD-6CL, RRD-6D	12	10
	Power Booster	PHPM-PA, PHPM-WBX	25	20
	Sunrise	SR400RPC120, ZP260QEW	20	15
Watt Stopper	Digital Light Management	LMRC-221	160	150
	Dimming Sensor	PW-100D	14	12

<sup>1</sup> Dimmer compatibility reflects performance compatibility only. Please reference your local codes for application.