



PL70

 Round: PL70-E
 Fluted: PL70-D

Technical informations

Date

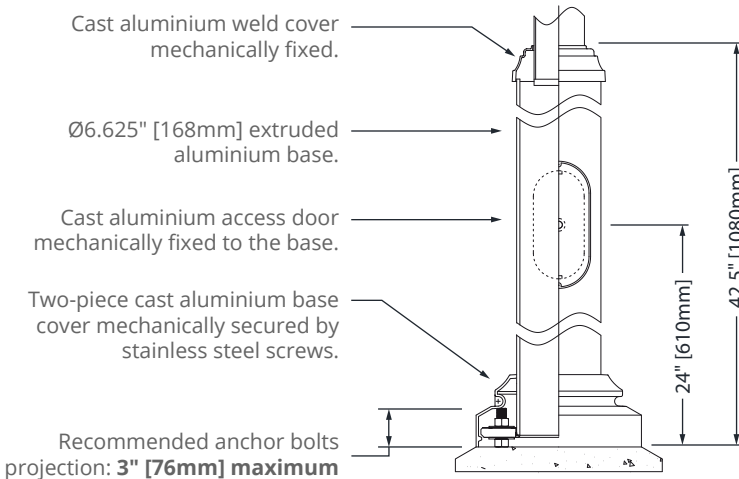
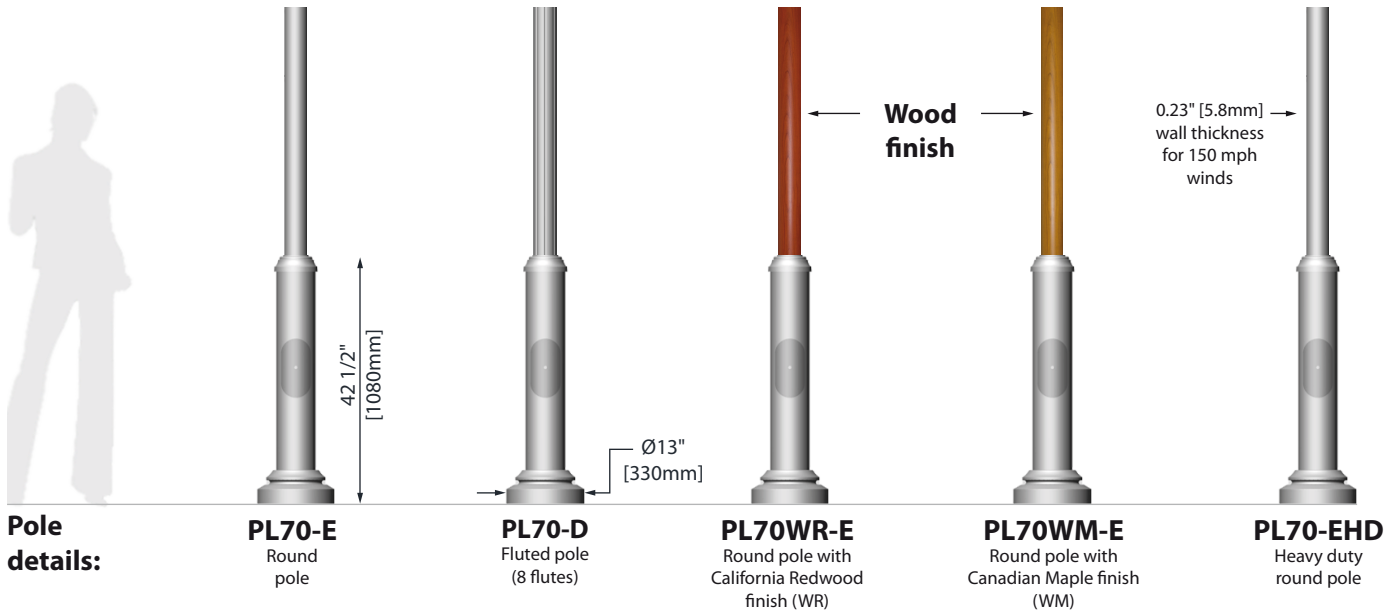
City / Location

Project name

Type

QTY

Aluminium $\varnothing 4"$ [102mm] poles with $\varnothing 6.625"$ [168mm] muffler type base.



CONSTRUCTION

- Cast aluminium: 356.1
- Extruded aluminium: 6061-T6
- $\varnothing 4"$ [102mm] extruded aluminium tube, E= straight or D= fluted (8 flutes).
- Access door: 5" [127mm] \times 13" [330mm] cast aluminium.
- Extruded aluminium anchor base plate welded inside and outside the perimeter of the tube.
- Two-piece injection molded aluminium base cover held captive by the anchor base plate.
- Copper ground lug.
- Stainless steel hardware.
- All metallic parts are pretreated using an environmentally friendly organic phosphating technology (PLAFORIZATION) before a polyester powder coating is electrostatically applied.
- Four (4) galvanized steel 3/4-10 \times 15" anchor bolts with eight (8) washers and nuts (9.95 lb [4.52 kg]).

Ordering example: PL70-E16 BK BH60-23-S GFR

Pole

Height 

Color

Options 

Anchor Bolts



Bolt circle \varnothing
9" [229mm] to 10" [254mm]

- Supplied by LUMCA
- Supplied by others
- Existing



Lumca reserves the right to modify the elements on this technical data sheet without prior notice.

Click on  for more information


Lumca
 LIGHTING LIFE

T : 877.650.1693 | www.lumca.com



PL70-E round aluminium pole

| Thickness 0.188" [4.8mm] | HEIGHT | | THICKNESS | | BOLT CIRCLE | | WEIGHT | | MAX EPA (ft ²)* | | | | | | | | |
|--------------------------------|-------------|-----|-----------|-----|-------------|-----|--------|------|-----------------------------|------------|-----|-----|---|---|---|---|--|
| | catalogue # | ft | M | in | mm | in | mm | lb | kg | Wind (mph) | | | | | | | |
| | | 70 | 80 | 90 | 100 | 110 | 120 | 130 | 150 | | | | | | | | |
| PL70-E12 | 12 | 3.7 | .188 | 4.8 | 9 | 229 | 51 | 22.8 | 15.7 | 11.3 | 9.7 | 7.1 | - | - | - | - | |
| PL70-E14 | 14 | 4.3 | .188 | 4.8 | 9 | 229 | 56 | 25.1 | 11.7 | 8.1 | 6.8 | 4.7 | - | - | - | - | |
| PL70-E16 | 16 | 4.9 | .188 | 4.8 | 9 | 229 | 61 | 27.3 | 8.8 | 5.8 | 4.7 | 2.9 | - | - | - | - | |
| PL70-E18 | 18 | 5.5 | .188 | 4.8 | 10 | 254 | 66 | 29.6 | 6.6 | 4.0 | 3.1 | 1.5 | - | - | - | - | |
| PL70-E20 | 20 | 6.1 | .188 | 4.8 | 10 | 254 | 71 | 31.8 | 4.8 | 2.5 | 1.7 | 0.3 | - | - | - | - | |

* Including a gust factor of 1.3

PL70-D fluted aluminium pole

| Thickness 0.125" [3.2mm] | HEIGHT | | THICKNESS | | BOLT CIRCLE | | WEIGHT | | MAX EPA (ft ²)* | | | | | | | | |
|--------------------------------|-------------|-----|-----------|-----|-------------|-----|--------|------|-----------------------------|------------|-----|-----|---|---|---|---|--|
| | catalogue # | ft | M | in | mm | in | mm | lb | kg | Wind (mph) | | | | | | | |
| | | 70 | 80 | 90 | 100 | 110 | 120 | 130 | 150 | | | | | | | | |
| PL70-D12 | 12 | 3.7 | .125 | 3.2 | 9 | 229 | 49 | 21.9 | 11.1 | 7.7 | 6.5 | 4.5 | - | - | - | - | |
| PL70-D14 | 14 | 4.3 | .125 | 3.2 | 9 | 229 | 54 | 24.2 | 7.9 | 5.2 | 4.2 | 2.5 | - | - | - | - | |
| PL70-D16 | 16 | 4.9 | .125 | 3.2 | 9 | 229 | 59 | 26.4 | 5.5 | 3.2 | 2.4 | 1.0 | - | - | - | - | |
| PL70-D18 | 18 | 5.5 | .125 | 3.2 | 10 | 254 | 64 | 28.7 | 3.7 | 1.7 | 1.0 | - | - | - | - | - | |
| PL70-D20 | 20 | 6.1 | .125 | 3.2 | 10 | 254 | 69 | 30.9 | 2.1 | 0.4 | - | - | - | - | - | - | |

* Including a gust factor of 1.3

PL70-EHD heavy duty round aluminium pole

| Thickness 0.230" [5.8mm] | HEIGHT | | THICKNESS | | BOLT CIRCLE | | WEIGHT | | MAX EPA (ft ²)* | | | | | | | | |
|--------------------------------|-------------|-----|-----------|-----|-------------|-----|--------|------|-----------------------------|------------|------|------|------|------|------|-----|--|
| | catalogue # | ft | M | in | mm | in | mm | lb | kg | Wind (mph) | | | | | | | |
| | | 70 | 80 | 90 | 100 | 110 | 120 | 130 | 150 | | | | | | | | |
| PL70-EHD12 | 12 | 3.7 | .230 | 5.8 | 9 | 229 | 51 | 23.1 | 50.1 | 38.4 | 30.5 | 23.7 | 19.6 | 15.5 | 13.4 | 9.6 | |
| PL70-EHD14 | 14 | 4.3 | .230 | 5.8 | 9 | 229 | 60 | 27.2 | 40.3 | 30.2 | 23.8 | 18.3 | 15.1 | 11.6 | 10.0 | 6.9 | |
| PL70-EHD16 | 16 | 4.9 | .230 | 5.8 | 9 | 229 | 68 | 30.8 | 32.9 | 24.5 | 19.1 | 14.5 | 11.8 | 8.7 | 7.5 | 4.9 | |
| PL70-EHD18 | 18 | 5.5 | .230 | 5.8 | 10 | 254 | 77 | 34.9 | 25.2 | 18.5 | 14.1 | 10.4 | 8.2 | 5.6 | 4.9 | 2.8 | |
| PL70-EHD20 | 20 | 6.1 | .230 | 5.8 | 10 | 254 | 85 | 38.6 | 21.3 | 15.3 | 11.4 | 8.2 | 6.3 | 3.9 | 3.4 | 1.6 | |

* Including a gust factor of 1.3

Lumca reserves the right to modify the elements on this technical data sheet without prior notice.

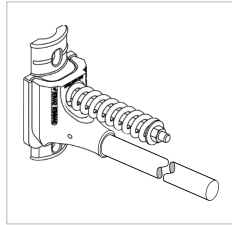
POLES OPTIONS



LR23-S
Single banner arm



LR23-D
Double banner arm



BEN-S Single flexible banner arm

BEN-D Double flexible banner arm



BH60-23-S
Single basket hanger



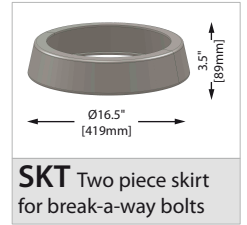
BH60-23-D
Double basket hanger



BH80-18-S
Single basket hanger



BH80-18-D
Double basket hanger



SKT Two piece skirt for break-a-way bolts



SH60-23-S
Single sign hanger



SH60-23-D
Double sign hanger



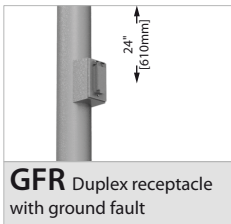
SH80-18-S
Single sign hanger



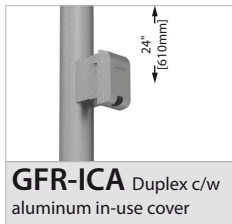
SH80-18-D
Double sign hanger



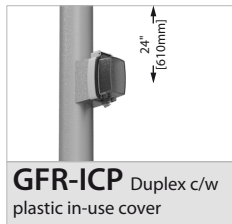
DPV
Vibration damper



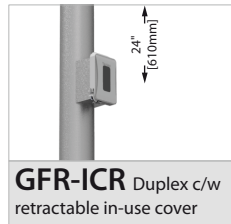
GFR Duplex receptacle with ground fault



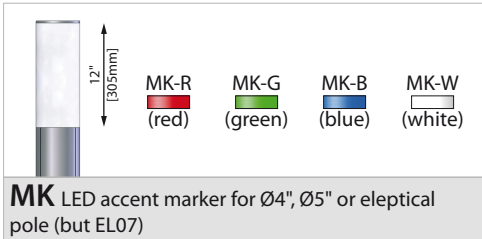
GFR-ICA Duplex c/w aluminum in-use cover



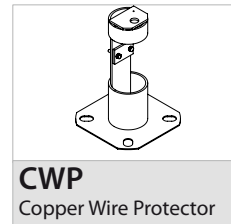
GFR-ICP Duplex c/w plastic in-use cover



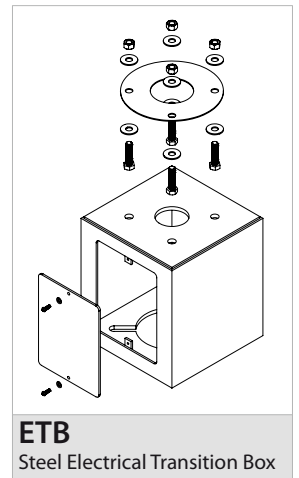
GFR-ICR Duplex c/w retractable in-use cover



MK LED accent marker for $\varnothing 4"$, $\varnothing 5"$ or elliptical pole (but EL07)



CWP
Copper Wire Protector



ETB
Steel Electrical Transition Box

Lumca reserves the right to modify the elements on this technical data sheet without prior notice.