

Catalog # :

Project :

Prepared By :

Date :



Mirada Medium - MRM Outdoor LED Area Light

The Mirada's sleek design makes it perfectly-suited for architectural & commercial applications, while its cost-effective die-cast aluminum housing makes its acquisition cost very competitive. The Mirada offers high performance factory-rotatable silicone optics, 5 standard CCTs, 42,000+ delivered lumens, and is available with integral Airlink™ Wireless Controls.

Features & Specifications

Optical System

- State-of-the-Art one piece silicone optic sheet delivers industry leading optical control with an integrated gasket to provide IP66 rated sealed optical chamber in 1 component.
- Proprietary silicone refractor optics provide exceptional coverage and uniformity in IES Types 2, 3, 5W, FT and FTA.
- Silicone optical material does not yellow or crack with age and provides a typical light transmittance of 93%.
- Zero uplight.
- Available in 5000K, 4000K, 3000K, and 2700K color temperatures per ANSI C78.377. Also Available in Phosphor Converted Amber with Peak intensity at 610nm.
- Minimum CRI of 70.
- Integral Louver (IL) option available for improved back-light control without sacrificing street side performance. See page 5 for more details.

Electrical

- High-performance driver features over-voltage, under-voltage, short-circuit and over temperature protection.
- 0-10V dimming (10% - 100%) standard.
- Standard Universal Voltage (120-277 Vac) Input 50/60 Hz or optional High Voltage (347-480 Vac).
- L80 Calculated Life: >100k Hours (See Lumen Maintenance on Page 2)
- Total harmonic distortion: <20%
- Operating temperature: -40°C to +50°C (-40°F to +122°F). 42L lumen package rated to +40°C.
- Power factor: >.90
- Input power stays constant over life.
- Field replaceable surge protection device meets a minimum Category C Low operation (per ANSI/IEEE C62.41.2).
- High-efficacy LEDs mounted to metal-core circuit board to maximize heat dissipation
- Terminal block provided accepts up to 10ga wire.
- Components are fully encased in potting material for moisture resistance. Driver complies with FCC standards. Driver and key electronic components can easily be accessed.



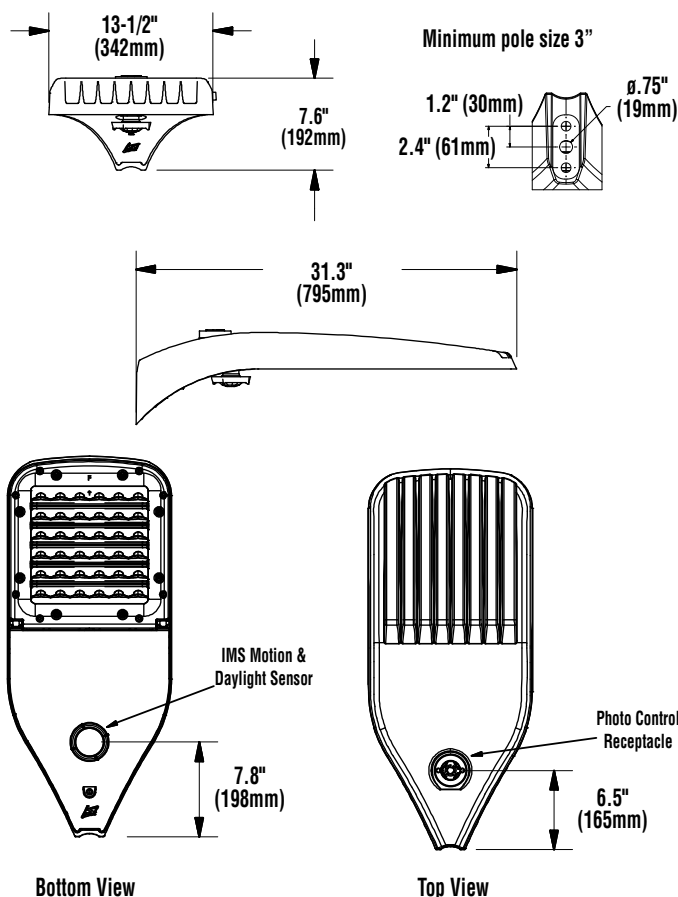
IP66



ARRA
Funding Compliant



Product Dimensions





Mirada Medium - MRM Outdoor LED Area Light

Features & Specifications (Cont.)

Construction

- Rugged die-cast aluminum housing contains factory prewired driver and optical unit. Cast aluminum wiring access door located underneath.
- Designed to mount to square or round poles.
- Luminaire is proudly manufactured in the U.S. of U.S. and imported parts.
- IP66 rated luminaire protects integral components from harsh environments.
- 3G rated for ANSI C136.31 high vibration applications
- Fixtures are finished with LSI's DuraGrip® polyester powder coat finishing process. The DuraGrip finish withstands extreme weather changes without cracking or peeling. Other standard LSI finishes available. Consult factory.
- Shipping weight: 30 lbs in carton.

Controls

Wireless Controls System

To make this fixture AirLink ready, simply order one of the following options:

- The integrated [Wireless Lighting Controller](#): ALSC or ALSCH (see ordering guide) as the controls option, or
- Integrated Wireless Controller option (above) with integrated motion sensor: ALSCS (ordering guide for mounting heights) or
- The 7-Pin Photoelectric Control Receptacle: CR7P as the controls option; and either the [5-Pin](#) or [7-Pin Twist Lock Controller](#): ALSC UNV TL5 or ALSC UNV TL7 as an accessory

To see how the components of AirLink system work together, reference the diagram in the controls section of this specsheet. For more information on our AirLink products, visit our website: www.lsi-airlink.com/airlink-synapse/

Stand-Alone Controls

- The integral passive infrared motion sensor (IMS) activates switching of luminaire light levels (see the controls section for more details).
- The 7-pin ANSI C136.41-2013 photocontrol receptacle option (CR7P) is available for twist lock photocontrols or wireless control modules.
- The Button Type Photocells (PCI) are capable of switching luminaires ON/OFF in response to the amount of available daylight.

Installation

- A single fastener secures the hinged door, underneath the housing and provides quick & easy access to the electrical compartment for installing/servicing.
- Included terminal block provides quick and easy on-site wiring.
- Utilizes LSI's traditional 3" drill pattern for easy fastening of LSI products. (See drawing on page 1)

Warranty

- LSI LED Fixtures carry a 5-year warranty.

Listings

- Listed to UL 1598 and UL 8750.
- RoHS Compliant.
- American Recovery and Reinvestment Act Funding Compliant.
- IDA compliant; with 3000K color temperature selection.
- Title 24 Compliant; see local ordinance for qualification information.
- Suitable For wet Locations.
- IP66 rated Luminaire. IP66 rated optical chamber.
- 3G rated for ANSI C136.31 high vibration applications
- DesignLights Consortium® (DLC) qualified product. Not all versions of this product may be DLC qualified. Please check the DLC Qualified Products List at www.designlights.org/QPL to confirm which versions are qualified.

Performance

ELECTRICAL DATA (AMPS)*							
Lumens	Watts	120V	208V	240V	277V	347V	480V
7L	53	0.4A	0.3A	0.2A	0.2A	0.2A	0.1A
9L	69	0.6A	0.3A	0.3A	0.2A	0.2A	0.1A
12L	94	0.8A	0.5A	0.4A	0.3A	0.3A	0.2A
18L	150	1.2A	0.7A	0.6A	0.5A	0.4A	0.3A
24L	187	1.6A	0.9A	0.8A	0.7A	0.5A	0.4A
30L	247	2.1A	1.2A	1.0A	0.9A	0.7A	0.5A
36L	317	2.6A	1.5A	1.3A	1.1A	0.9A	0.7A
42L	390	3.2A	1.9A	1.6A	1.4A	1.1A	0.8A

*Electrical data at 25C (77F). Actual wattage may differ by +/-10%

ELECTRICAL DATA - PHOSPHOR CONVERTED AMBER (AMPS)*							
Lumens	Watts	120V	208V	240V	277V	347V	480V
9L	74.3	0.6A	0.4A	0.3A	0.3A	0.2A	0.2A
12L	102.9	0.9A	0.5A	0.4A	0.4A	0.3A	0.2A

*Electrical data at 25C (77F). Actual wattage may differ by +/-10%

RECOMMENDED LUMEN MAINTENANCE ¹ (24-42L)					
Ambient	Initial ²	25 hr ²	50 hr ²	75 hr ³	100 hr ³
0-40 C	100%	100%	97%	94%	92%

RECOMMENDED LUMEN MAINTENANCE ¹ (7-18L)					
Ambient	Initial ²	25 hr ²	50 hr ²	75 hr ³	100 hr ³
0-50 C	100%	96%	92%	88%	84%

- 1- Lumen maintenance values at 25C are calculated per TM-21 based on LM-80 data and in-situ testing.
- 2- In accordance with IESNA TM-21-11, Projected Values represent interpolated value based on time durations that are within six times the IESNA LM-80-08 total test duration for the device under testing.
- 3- In accordance with IESNA TM-21-11, Calculated Values represent time durations that exceed six times the IESNA LM-80-08 total test duration for the device under testing

DELIVERED LUMENS*					
Lumen Package	Distribution	Phosphor Converted Amber (Peak 610nm)			Wattage
		Delivered Lumens	Efficacy	BUG Rating	
9L	2	5848	80	B2-U0-G2	74
	2 - IL	3644	50	B0-U0-G1	
	3	6018	82	B1-U0-G2	
	3 - IL	4468	61	B0-U0-G2	
	5W	5471	74	B3-U0-G1	
	FT	5801	79	B1-U0-G2	
	FT - IL	3649	50	B0-U0-G1	
	FTA	5924	81	B1-U0-G1	
	FTA - IL	4243	58	B1-U0-G1	
12L	2	7530	74	B2-U0-G2	102
	2 - IL	4692	46	B0-U0-G1	
	3	7749	76	B1-U0-G2	
	3 - IL	5753	57	B0-U0-G2	
	5W	7045	69	B3-U0-G2	
	FT	7470	73	B2-U0-G2	
	FT - IL	4699	46	B0-U0-G2	
	FTA	7628	75	B2-U0-G2	
	FTA - IL	5464	54	B1-U0-G1	

*LED Chips are frequently updated therefore values are nominal

LUMINAIRE EPA CHART - MRM									
Tilt Degree		0°	30°	45°	Tilt Degree		0°	30°	45°
	Single	0.5	1.5	1.9		T90°	1.0	2.5	2.8
	D180°	1.0	1.5	1.9		TN120°	1.0	3.3	3.9
	D90°	0.8	1.9	2.3		Q90°	1.0	2.5	2.8

Specifications and dimensions subject to change without notice.

VIP Code: 1WGYEQV514

866-344-3875

Live Chat

Login

My Lists

My Cart

WAC LIGHTING

Responsible Lighting®

A LIGHTING NEW YORK STORE

Begin your search here

Search

Customer Care | Professional Discounts

Shop by Room

Shop by Style

Shop by Category

Shop by Collection

Best Sellers

Sales & Clearance

Enjoy FREE SHIPPING & RETURNS + No Restock Fees!*

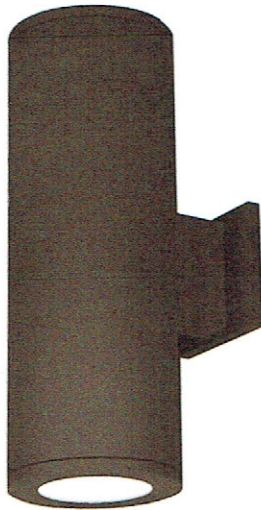
Home » Outdoor Lighting » Outdoor Wall Lights » WAC Lighting DS-WD06-F930S-BZ

WAC Lighting DS-WD06-F930S-BZ

Outdoor Lighting LED 18 inch Bronze Double Side Outdoor Wall Mount in Straight Up and Down, 3000K, 90, 6

Facebook, Pinterest, Instagram, Twitter, Email, Print, 0

Call 844.344.3536 For Trade Pricing



Zoom Image

Found It Cheaper Somewhere Else?

Call or Live Chat our Lighting Experts for the best price! 866-344-3875

\$617.50 PER EACH

Starting at \$59/mo with **affirm** Prequalify now

Original List Price: ~~\$4,028.85~~ (You Save 39.00%)



Color Temperature 3000K

Bulb CRI 90

Diameter 6

Finish Bronze

Light Direction Straight Up and Down

1

Add To Shopping Cart

Add to List

Price Alert

Return Policy

Shipping Policy

110% Price Match

Special Order

FREE Shipping

110% Price Match Guarantee

Non-Returnable

Related Product



WAC Lighting DS-CD05-F27-BK Outdoor Lighting LED 5 inch Black Outdo... \$319.50



WAC Lighting DS-CD05-F27-BZ Outdoor Lighting LED 5 inch Bronze Outdo... \$319.50



WAC Lighting DS-CD05-F27-GH Outdoor Lighting LED 5 inch Graphite Out... \$319.50

Product Information General Information Manufacturer's Catalog(s) Questions

General Information

WAC Lighting DS-WD06-F930S-BZ Outdoor Lighting LED 18 inch Bronze Double Side Outdoor Wall Mount in Straight Up and Down, 3000K, 90, 6

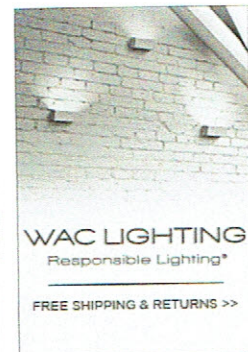
Have a question about this product? Ask us!

Live Chat

Submit a Question

Every Order Includes

No Restocking Fees!



WAC LIGHTING Responsible Lighting®

FREE SHIPPING & RETURNS >>

Double Sided Lumens: Up to 3685 X2 CRI: 90 Dimming: 100% - 10% Rated Life: 80,000 hours IP65, Wet location listed Energy Star rated ETL
 & ETL listed/UL/IMC/Construction Free of projected heat and UV radiation ANSI Compliant Warm Neutral LED Bulbs, for the finest cold
 consistency possible

Quick Ship
 In stock items ship in approximately 2-4 days.

Free Shipping
 On all items able to be sent in the contiguous United States.

International Shipping
 Now available! Call 866.344.3875 for more information.

Free Returns
 Within 30 days of purchase for like new, uninstalled items.

110% Price Match
 Find a lower price and we'll beat it by 10% of the difference.

Lighting New York Business Hours

Call For Our Best Price - 866.344.3875

Lighting Experts
 Mon - Fri 8am to 12am EST
 Sat & Sun 9am to 12am EST

Customer Care
 Mon - Fri 8am to 6pm EST



Brand Information

- Brand: WAC Lighting
- Collection: [Outdoor Lighting](#)
- SKU: DS-WD06-F930S-BZ
- UPC: 790576329284

Dimensions and Weight

- Length: 9.13 in.
- Width: 6.38 in.
- Height: 17.88 in.
- Diameter: 6.38 in.
- Weight: 24.24 lb.

Other Specifications

- Ships Via: Ground (FREE SHPPING)
- Warranty: 5 Years

Additional Details

- 6" Double Side Tube Arch Wall Mount- 3000K 90 CRI Straight Up And Down
- Lamp Voltage: 120-277
- Estimated Bulb Life: 80,000 hours
- Stand-alone Item: Yes

Design Information

- Category: [Outdoor Wall Lights](#)
- Finish: [Bronze](#)

Bulb Information

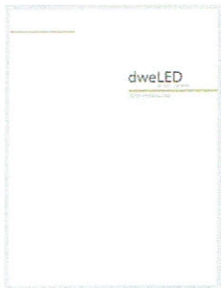
- Bulbs Included: No
- Bulb Category: LED
- Primary Bulb(s): 1 x 84 watts LED
- Color Temperature: 3000K
- Color Rendering Index: 90.0000
- Total Lumens: 4890

Product Rating

- Safety Rating: UL/ETL Listed
- Energy Star Efficient

WAC Lighting's Catalogs

Click on the catalog to view the PDF in your browser or right-click and hit "Save As" to save the PDF to your computer.



Customer Reviews



Product Questions

Questions about WAC Lighting DS-WD06-F930S-BZ

Have a question about this product? Ask us!

[Live Chat](#)

[Submit a Question](#)