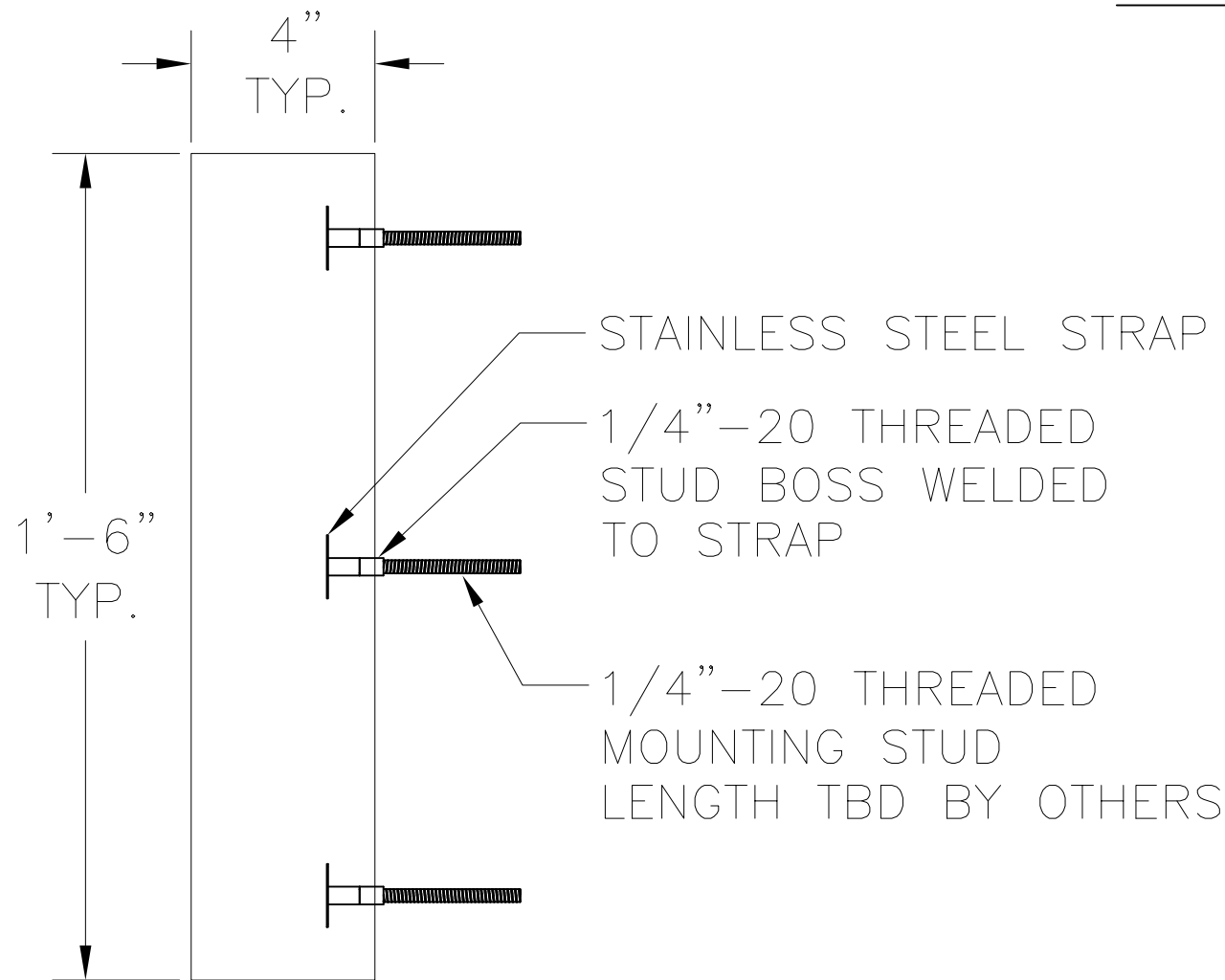


FRONT VIEW - SCALE: $\frac{1}{2}$ " = 1'-0"

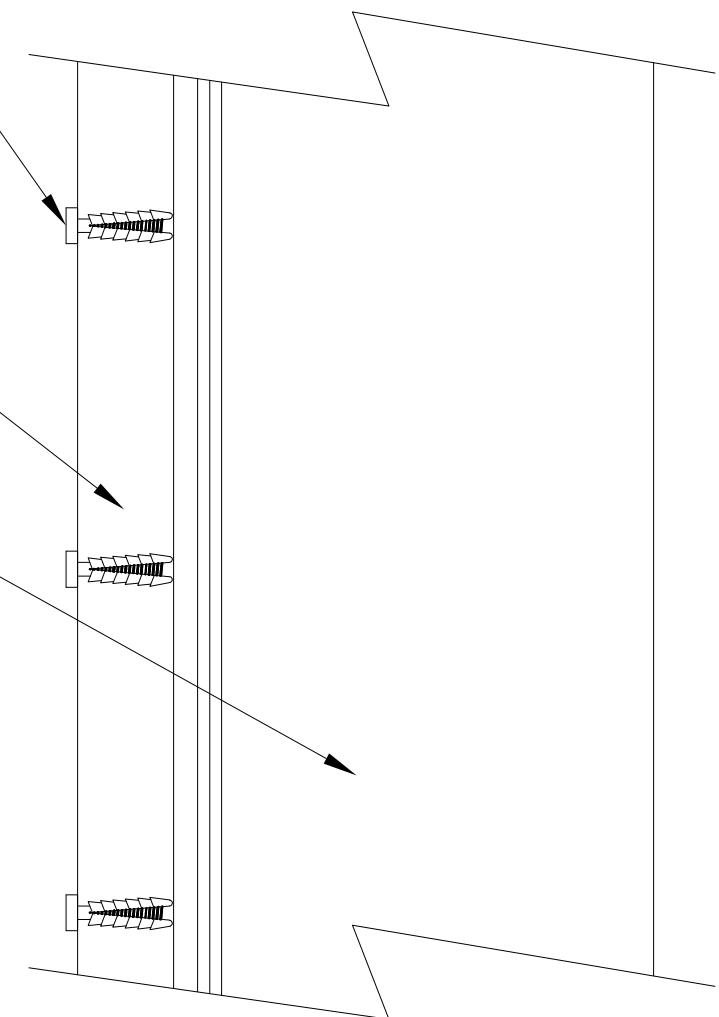


TYPICAL SIDE VIEW LETTERS - SCALE: 3" = 1'-0"

FASTENER FOR THREADED STUD RATED FOR EIFS FACADE SYSTEM

EIFS BUILDING FACADE REFER TO A1.05 DWG

EXTERIOR WALL STUD REFER TO ARCH DWG



BUILDING FACADE DETAIL - SCALE: 3" = 1'-0"

SIGNAGE DETAIL

NOTES:

1. THESE DETAIL DRAWINGS ARE PREPARED FOR MUNICIPAL REVIEW AND ARE NOT FOR CONSTRUCTION. SHOP DRAWINGS TO FOR CONSTRUCTION BY OTHERS.
2. DETAILS REPRESENT A CONSTRUCTION METHODOLOGY CONSISTENT WITH TYPICAL DIMENSIONAL LETTERING SIGNAGE.
3. STANDARD 304 STAINLESS STEEL LETTERING SIGN WILL NOT BE ILLUMINATED OR POWERED IN ANY WAY.
4. REFER TO DRAWING A1.05 FOR BUILDING ELEVATION DEPICTING THE PROPOSED SIGNAGE.

REVISIONS:

REVISION 1	08/07/2023

DESIGNER

JAKE LESSARD
UPWORK FREELANCE DESIGNER

PROJECT DETAILS

BUILDING SIGN SHOP DRAWINGS
DUBAK ELECTRICAL GROUP
8661 E. COUNTY ROAD 550 S.
PLAINFIELD, IN 46168

01

PAGE - 1 of 1