

THIS SITE IS LOCATED IN A REGION WHERE LIGHTING IS REGULATED BY LOCAL ORDINANCES

LUMINAIRE LOCATION SUMMARY		
LUM NO.	LABEL	MTG. HT.
1	A1	17.5
2	A1	17.5
3	A4	17.5
4	A4	17.5
5	A4	17.5
6	B2	17.5
7	B4	17.5
8	B4	17.5
9	B4	17.5
10	B4	17.5
11	B4	17.5
12	B4	17.5
13	B4	17.5
14	C1	17.11
15	C1	17.11
16	C1	17.11
17	C1	19.32
18	C1	19.32
19	C1	19.32
20	C1	19.32
21	C1	19.32
22	C1	19.32
23	C1	19.32
24	C1	19.32
25	C1	21.53
26	C1	17.11
27	C1	17.11
28	C1	17.11
29	C1	17.11
30	C1	17.11
31	C1	21.53
32	C1	21.53
33	C1	21.53
34	C1	21.53
35	C1	21.53
36	C1	21.53
37	C1	21.53
38	DL8	11
39	DL8	11

LUMINAIRE LOCATION SUMMARY		
LUM NO.	LABEL	MTG. HT.
40	DL8	11
41	DL8	11
42	DL8	11
43	DL8	11
44	DL8	11
45	EB1	11
46	EB1	11
47	EB1	11
48	EB1	11
49	EB1	10.5
50	EB1	10.5
51	EB1	10.5
52	EB1	10.5
53	EB1	10.5
54	EB1	10.5
55	EB1	10.5
56	EB1	10.5
57	EB1	14
58	EF1	11.833
59	EF1	11.833
60	EF1	11.833
61	EF1	11.833
62	EF1	11.833
63	EF1	11.833
64	EF1	11.833
65	EW1	14
66	EW1	14
67	EW1	14
68	EW1	14
69	W3	8
70	Z1	14
71	Z1	14
72	Z1	14
73	Z1	14
74	Z1	14
75	Z1	14
76	Z1	14
77	Z1	14
78	Z1	14

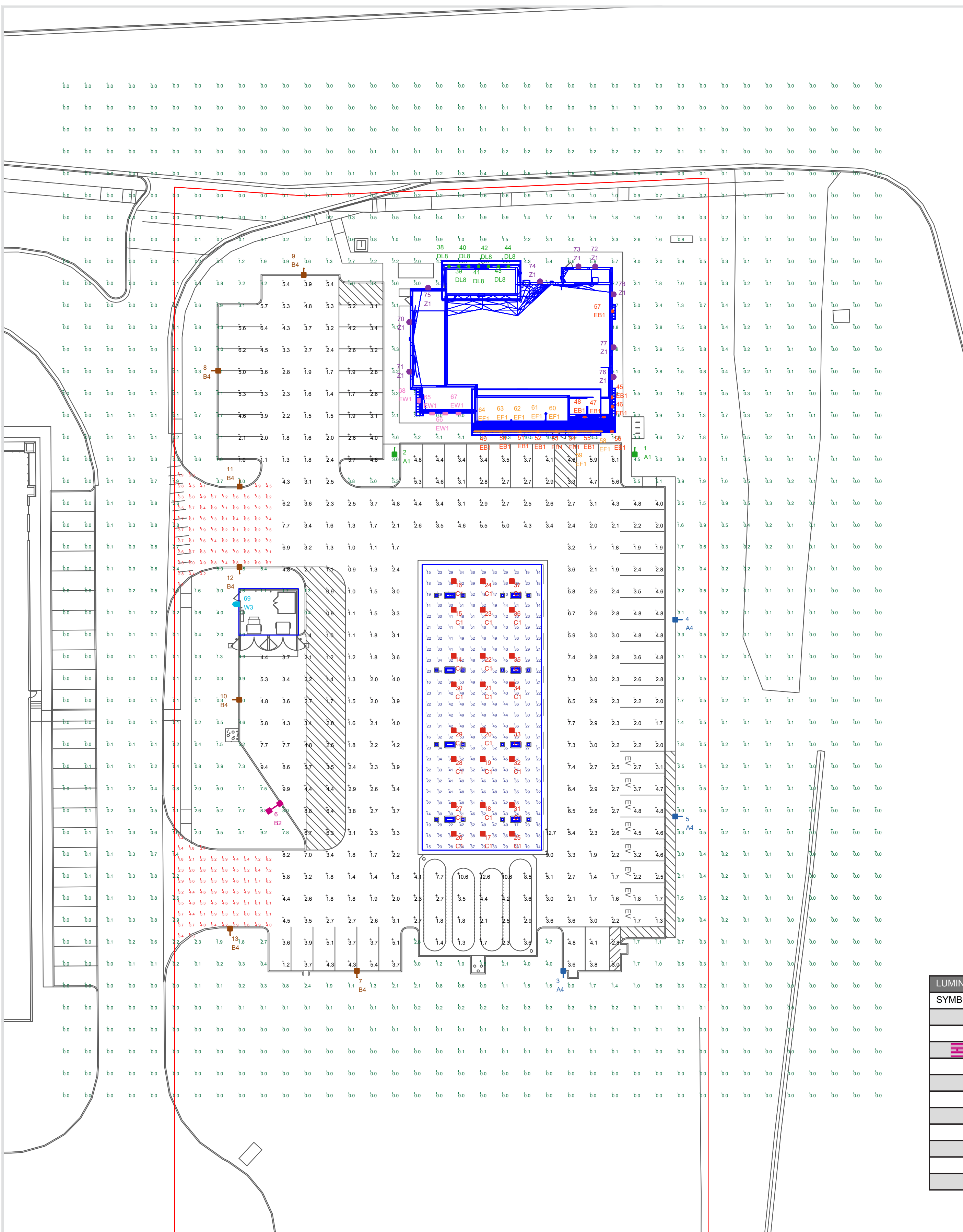
FOOTCANDLE LEVELS CALCULATED AT GRADE USING INITIAL LUMEN VALUES					
LABEL	AVG	MAX	MIN	AVG/MIN	MAX/MIN
CANOPY	35.87	58	14	2.56	4.14
ENTRANCES & EXIT DRIVES	5.10	8.2	1.2	4.25	6.83
PARKING & INTERIOR DRIVE AISLES	3.47	12.7	0.9	3.86	14.11
UNDEFINED	0.73	16.8	0.0	N.A.	N.A.

NOTES:
- ALL AREA LIGHTS ON 17 FT. POLES MOUNTED ON 6 IN. CONCRETE BASES

LUMINAIRE SCHEDULE										
SYMBOL	QTY	LABEL	ARRANGEMENT	LUMENS	LLF	BUG RATING	WATTS/LUMINAIRE	TOTAL WATTS	MANUFACTURER	CATALOG LOGIC
	2	A1	SINGLE	12019	1.030	B3-U0-G3	134.2	268.4	Cree Lighting	ARE-EDG-3M-DA-06-E-UL-XX-700-57K
	3	A4	SINGLE	8891	1.030	B1-U0-G2	134	402	CREE, INC.	ARE-EDG-3MB-DA-06-E-UL-XX-700-57K
	1	B2	BACK-BACK	12678	1.030	B3-U0-G2	134	268	Cree Inc.	ARE-EDG-4M-DA-06-E-UL-XX-700-57K
	7	B4	SINGLE	9549	1.030	B1-U0-G2	134	938	CREE, INC.	ARE-EDG-4MB-DA-06-E-UL-XX-700-57K
	24	C1	SINGLE	13251	1.030	B3-U0-G1	134	3216	CREE, INC.	CAN-304-SL-RD-06-E-UL-XX-700-57K
	7	DL8	Single	1121	1.000	B1-U0-G0	11.5	80.5	Juno Lighting	2LEDTG2C-830F-WWH_w_2LEDDRVG2-10-120
	13	EB1	Single	1388	1.000	B1-U1-G0	19	247	WAC Lighting	WP-LED119-30
	7	EF1	SSL-4_1	992	1.000	B1-U1-G0	17.444	488.432	FC Lighting	CVLWET1.5-4-4K-80CRI-1040
	4	EW1	Single	500	1.000	B0-U0-G0	10.5	42	CARIBONI GROUP	WS-W2509-3000K-BZ
	1	W3	SINGLE	1557	1.030	B0-U0-G1	25	25	CREE, INC.	SEC-EDG-3MB-WM-02-E-UL-XX-350-57K
	9	Z1	Single	3348	1.000	B1-U0-G1	25.4	228.6	COOPER LIGHTING SOLUTIONS - MCGRAW-	ISC-SA1B-740-U-SL4-WH

DISCLAIMER

ANY SITE PLAN(S), FLOOR PLAN(S), RENDERING(S), LIGHTING LAYOUT(S) AND PHOTOMETRIC PLAN(S) INCLUDING BUT NOT LIMITED TO ANY PROJECT(S) CREATED/PRODUCED BY RED LEONARD ASSOCIATES INC., ARE ONLY INTENDED FOR ILLUSTRATION AND QUOTING PURPOSES ONLY. RED LEONARD ASSOCIATES HAS THE RIGHT TO USE THIRD PARTY LASERS, SCANNERS, AND CAMERAS BUT ACTUAL PROJECT CONDITIONS, DIMENSIONS, AND ACCURACY OF MEASUREMENTS MAY DIFFER FROM THESE OR ANY PARAMETERS. RED LEONARD ASSOCIATES INC. ASSUMES NO LIABILITY FOR WHAT IS CREATED/PRODUCED IN THESE RECOGNATIONS. THIS INCLUDES BUT IS NOT LIMITED TO THE USE OF, INSTALLATION OF AND/OR INTEGRITY OF EXISTING BUILDINGS, SURROUNDING AREA FOR PRODUCTS (SUCH AS EXISTING POLES), ANCHOR BOLTS(S), BASE(S), ARCHITECTURAL AND SIGNAGE STRUCTURE(S), LANDSCAPING PLAN(S), LIGHTING PLAN(S), FIXTURE SELECTION(S) AND PLACEMENT, MATERIAL(S), COLOR ACCURACY, TEXTURE(S), AND ANYTHING ATTRIBUTED TO PHOTO REALISM THAT IS CREATED. FURTHERMORE, RED LEONARD ASSOCIATES INC. DOES NOT ASSUME LIABILITY WHATSOEVER FOR ANY PURCHASES MADE BY CLIENT BEFORE, DURING, OR AT THE CONCLUSION OF THE PUBLISHED WORK. THE CUSTOMER, ITS RELATIVE AFFILIATES, AS WELL AS ANY OTHER PERSON(S) IN VIEWING OF THIS PRODUCT IS RESPONSIBLE FOR VERIFYING COMPLIANCE WITH ANY BUT NOT LIMITED TO ALL CODES, PERMITS, RESTRICTIONS, INSTRUCTIONS, PURCHASES, AND INSTALLATIONS OF OBJECTS VIEWED WITHIN THIS DOCUMENT(S) OR PROJECT(S). SYMBOLS ARE NOT DRAWN TO SCALE. SIZE IS FOR CLARITY PURPOSES ONLY. SIZES AND DIMENSIONS ARE APPROXIMATE. ACTUAL MEASUREMENTS MAY VARY. DRAWINGS ARE NOT INTENDED FOR ENGINEERING OR CONSTRUCTION USE. THIS DOCUMENT, ANY RED LEONARD DRAWING(S) OR PROJECT(S) IS NOT TO BE USED AND/OR INTENDED FOR ENGINEERING OR CONSTRUCTION PURPOSES, BUT FOR ILLUSTRATIVE PURPOSES ONLY. ANY LOCATIONS OF EMERGENCY LIGHTING SHOWN WERE PROVIDED BY OTHERS. RED LEONARD ASSOCIATES IS NOT RESPONSIBLE FOR INSUFFICIENT LIGHTING DURING AN EMERGENCY EVENT. ANY USE OF THIS DOCUMENTATION AND/OR OTHER ARTICLES PRODUCED BY RED LEONARD WITHOUT WRITTEN AUTHORIZATION FROM JAYNE J. LEONARD IS STRICTLY PROHIBITED.



REV.	BY	DATE	DESCRIPTION
R1	LMP	01/02/24	REVISED PER UPDATED SITE PLAN & COMMENTS

SCALE: 1" = 30'
LAYOUT BY: LMP
DATE: 12/11/23

PROJECT NAME:
WAWA #7401
PLAINFIELD, IN
DRAWING NUMBER:
RL-9324-S1-R1



QTY	LABEL	DESCRIPTION
4	EW1	WS-W2509-3000K-BZ



WAC LIGHTING

Rubix
Wall Mount 3000K

Model	Color Temp & CR	Watt	Lumens	Finish
WS-W2509 Single	3000K 90	16W	805	AL Brushed Aluminum
WS-W2510 Double	3000K 90	30W	1385	AL Black BZ Bronze GR Graphite WF White

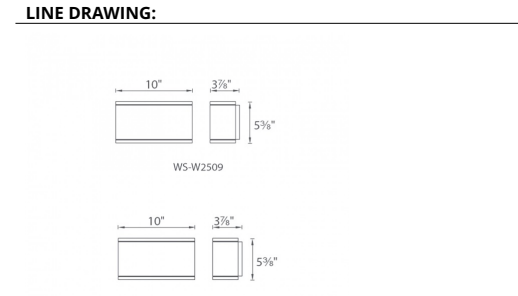
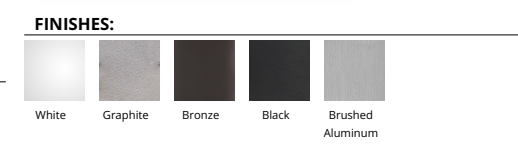
DESCRIPTION
Available in single and twin light configurations, this die-cast aluminum LED wall luminaire is Wet Location listed for a broad range of exterior lighting applications. Designed with square profile, this version of Rubix mounts upwards or downwards.

FEATURES

- 2509 Single, 2510 Double
- Direct concealed within the fixture
- 5 year warranty

SPECIFICATIONS

Construction: Die-cast Aluminum
Power: 30W, 16W
Input: 120-277 VAC, 50/60Hz
Dimming: ELV, 100-15%, 0-10V, 100-10%
Light Source: Integrated LED
Rated Life: 70,000 Hours
Mounting: Mounts directly to junction box. Can be mounted on wall in all orientations
Finish: Electrolytically Powder Coated: White, Graphite, Bronze, Black, Brushed Aluminum
Operating Temp: -40°F to 122°F (-40°C to 50°C)
Standards: UL, cUL, Wet Location Listed, IP65, Title 24 JAB-2019 Compliant, ADA



QTY	LABEL	DESCRIPTION
1	W3	SEC-EDG-3MB-WM-02-E-UL-XX-350-57K



THE EDGE® Series

LED Security Wall Pack Luminaire

Product Description
The EDGE® wall mount luminaire has a slim, low profile design. The luminaire end caps are made from rugged die cast aluminum with integral, weatherlight LED cover components and high performance aluminum heat sinks specifically designed for LED applications. Housing is rugged aluminum. Includes a lightweight mounting base for installation over standard and most ring single gang 3/8" boxes. Secured to wall with four 3/16" (5mm) screws by others. Conduit entry from top, bottom, sides and rear. Allows mounting for uplight or downlight. Designed and approved for easy through-wiring. Includes installation guard.

Applications: General area and security lighting

Performance Summary

Patented NanoOptic® Product Technology
Assembled in the U.S. or U.S. and imported parts
CET: Minimum 90 CRI (6000K & 3000K), 80 CRI (3000K), 90 CRI (3000K)
CCT: Turtle Friendly Amber, 3000K (v-), 3000K, 4000K (v-), 3000K, 5000K (v-), 5000K, 5700K (v-), 5000K standard
Limited Warranty: 10 years on luminaires/10 years on Colorfast DetailGuard® finish/3 year on accessories

Accessories

Field-install	Beauty Plate	Hard Hat Mount
10" x 10" x 1/2"	10" x 10" x 1/2" (30mm) Square	10" x 10" x 1/2" (30mm) Square
10" x 10" x 1/2"	10" x 10" x 1/2" (30mm) Square	10" x 10" x 1/2" (30mm) Square

Ordering Information
Example: SEC-EDG-2M-WM-04-E-UL-5V-750

Sec-ops	Optic	Mount	LED Count	Series	Voltage	Color Options	Dimm. Current	Options
M4C-600	2M	WM	60	02	UL	BZ	350	350 350 350
	2M	WM	60	02	UL	BZ	350	350 350 350
	2M	WM	60	02	UL	BZ	350	350 350 350



US: 1-800-451-1000 (800) 236-4800
Canada: 1-800-451-1000 (800) 473-1234

QTY	LABEL	DESCRIPTION
9	Z1	ISC-SA1B-740-U-SL4-WH



Project	Catalog #	Type
Prepared by	Notes	Date

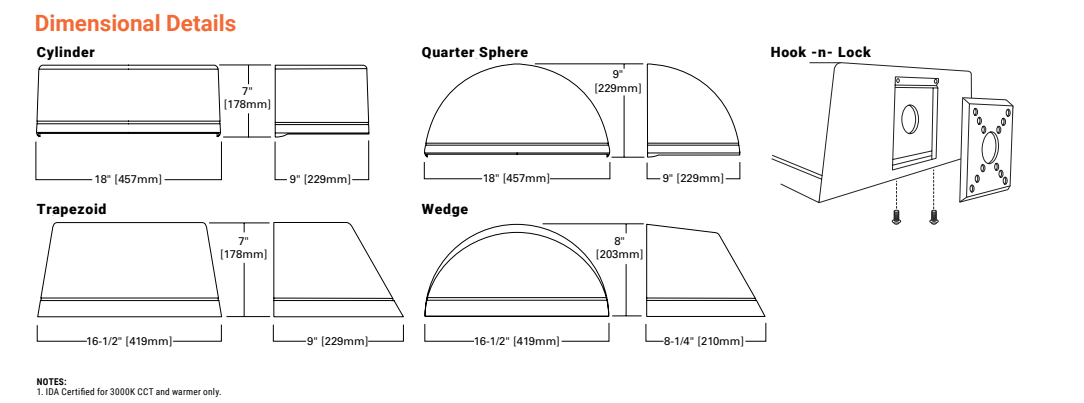


Interactive Menu

- Ordering Information page 2
- Product Specifications page 2
- Energy and Performance Data page 3
- Control Options page 4

Quick Facts

- 15 Optical Distributions
- Lumen packages range from 2459 to 11480
- Efficacy up to 149 lumens per watt



McGraw-Edison Impact Elite LED

Ordering Information
SAMPLE NUMBER: ISC-SA1F-740-U-T3-BZ

Product Family	Light Engine	Color Temperature	Voltage	Distribution	Finish
ISC-Input Elite LED Small Cabinet	BA1 Square	A-3000K	120-277V	BA1 Delta	AL-White
ISC-Input Elite LED Small Cabinet	BA1 Square	A-3000K	120-277V	BA1 Delta	AL-White
ISC-Input Elite LED Small Cabinet	BA1 Square	A-3000K	120-277V	BA1 Delta	AL-White

Thruway Back Box

Product Specifications

- Construction: Heavy wall, die-cast aluminum housing and extruded aluminum tempered glass frame
- Standard with Cooper Lighting Solutions proprietary mounting hardware designed by intermodal manufacturer
- Optional tamper-resistant fasteners offer vandalism resistance
- IK10 impact rated
- High efficiency High-Intensity Activated Acrylic Optics technology
- 15 optical distributions
- ADA Certified (3000K CCT and warmer only)



wacighting.com | Phone: (800) 526-2258 | Fax: (800) 526-2258 | Headquarters: Eastern Distribution Center, 44 Harbor Park Drive, Plainfield, NJ 07054
WAC Lighting reserves all rights in and to the design and/or products at any time in the past of the company's continuous improvement program. 8/2016-2022

THE EDGE® LED Security Wall Pack Luminaire

Product Specifications

CONSTRUCTION & MATERIALS

- Slim, low profile design
- Luminaire caps and rugged die cast aluminum with integral, weatherlight LED lens compartment and top performance aluminum heat sinks specifically designed for LED applications
- Housing is rugged aluminum
- Furnished with the rugged, light weight mounting base designed for installation over standard and most ring single gang 3/8" boxes
- Luminaire can also be direct mounted to a wall and surface wired
- Secured to wall with four 3/16" (5mm) screws by others
- Conduit entry from top, bottom, sides, and rear
- Allows mounting for uplight or downlight
- Designed and approved for easy through-wiring
- Includes lock/straps guard
- Exclusive Colorfast DetailGuard® finish features an E-Coat epoxy primer with an ultra-durable powder topcoat, providing excellent resistance to corrosion, ultraviolet degradation and abrasion. Black, bronze, silver and white are available
- Weight, Size Dimensions and Weight Chart on page 1

ELECTRICAL SYSTEM

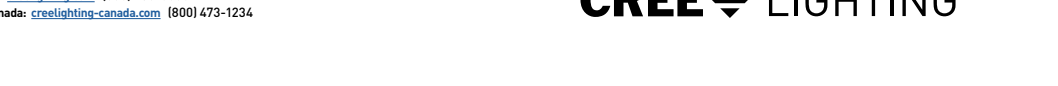
- Input Voltage: 120-277V or 347-480V, 50/60Hz, Class 1 drivers
- Power Factor: 0.9 full load
- Total Harmonic Distortion: < 20% at full load
- Integral weatherlight J-Box with leads here null for easy power hook up
- When code dictates listing, a show box base or type CDT breaker should be used to address inrush current
- When code dictates listing, a show box base or type CDT breaker should be used to address inrush current
- Maximum 10V Source Current: 20 LED (30mA), 10mA, 20 LED (20 & 700 mA) and 40-120 LED: 0.15mA

REGULATORY & VOLUNTARY QUALIFICATIONS

- UL, cUL Listed
- Substitutable for wet locations
- Meets FCC Part 15, Subpart B, Class A limits for conducted and radiated emissions
- Enclosure rated IP65 per IEC 60529 when ordered without P or PMG options
- ANSI C136.2 10kV surge protection, tested in accordance with IEEE Std C62.41.2
- Luminaire and finish materials tested for resistance to 1000 hours of simulated ambient salt fog conditions as defined in ASTM Standard B 117
- DLC qualified with select SKALs. Refer to www.dlc.com/qualification for most current information
- Meets Buy American requirements within ARRA
- ▲ AGENCY WARNING:** Consult and Register Here - www.fda.gov/oc/ohrt/

THE EDGE® Series Ambient Adjusted Lumen Maintenance*

Ambient CCT	Initial LMF	25k Hr Reported LMF	50k Hr Reported LMF	75k Hr Reported LMF	100k Hr Reported LMF
15°C (59°F)	1.00	1.00	1.00	1.00	1.00
20°C (68°F)	1.00	1.00	1.00	1.00	1.00
25°C (77°F)	1.00	1.00	1.00	1.00	1.00
30°C (86°F)	1.00	0.99	0.99	0.99	0.99
35°C (95°F)	1.00	0.98	0.98	0.98	0.98
40°C (104°F)	1.00	0.96	0.96	0.96	0.96
45°C (113°F)	1.00	0.94	0.94	0.94	0.94
50°C (122°F)	1.00	0.92	0.92	0.92	0.92



US: 1-800-451-1000 (800) 236-4800
Canada: 1-800-451-1000 (800) 473-1234

ANY SITE PLAN(S), FLOOR PLAN(S), RENDERING(S), LIGHTING LAYOUT(S) AND PHOTOMETRIC PLAN(S) INCLUDING BUT NOT LIMITED TO ANY PROJECT(S) CREATED/PRODUCED BY RED LEONARD ASSOCIATES INC., ARE ONLY INTENDED FOR ILLUSTRATION AND QUOTING PURPOSES ONLY. RED LEONARD ASSOCIATES HAS THE RIGHT TO USE THIRD PARTY LASERS, SCANNERS, AND CAMERAS BUT ACTUAL PROJECT CONDITIONS, DIMENSIONS, AND ACCURACY OF MEASUREMENTS MAY DIFFER FROM THESE OR ANY PARAMETERS. RED LEONARD ASSOCIATES INC. ASSUMES NO LIABILITY FOR WHAT IS CREATED/PRODUCED IN THESE RECREATIONS. THIS INCLUDES BUT IS NOT LIMITED TO THE USE OF, INSTALLATION OF AND/OR INTEGRITY OF EXISTING BUILDING(S), SURROUNDING AREA FOR PRODUCT(S) SUCH AS EXISTING POLES(S), ANCHOR BOLTS(S), BASE(S), ARCHITECTURAL AND SIGNAGE STRUCTURE(S), LANDSCAPING PLAN(S), LIGHTING PLAN(S), FIXTURE SELECTION(S) AND PLACEMENT, MATERIAL(S), COLOR ACCURACY, TEXTURE(S), AND ANYTHING ATTRIBUTED TO PHOTO REALISM THAT IS CREATED. FURTHERMORE, RED LEONARD ASSOCIATES INC. DOES NOT ASSUME LIABILITY WHATSOEVER FOR ANY PURCHASES MADE BY CLIENT BEFORE, DURING, OR AT THE CONCLUSION OF THE PUBLISHED WORK. THE CUSTOMER, ITS RELATIVE AFFILIATES, AS WELL AS ANY OTHER PERSON(S) IN VIEWING OF THIS PRODUCT IS RESPONSIBLE FOR VERIFYING COMPLIANCE WITH ANY BUT NOT LIMITED TO ALL CODES, PERMITS, RESTRICTIONS, INSTRUCTIONS, PURCHASES, AND INSTALLATIONS OF OBJECTS VIEWED WITHIN THIS DOCUMENT(S) OR PROJECT(S). SYMBOLS ARE NOT DRAWN TO SCALE. SIZE IS FOR CLARITY PURPOSES ONLY. SIZES AND DIMENSIONS ARE APPROXIMATE. ACTUAL MEASUREMENTS MAY VARY. DRAWINGS ARE NOT INTENDED FOR ENGINEERING OR CONSTRUCTION USE. THIS DOCUMENT, ANY RED LEONARD DRAWING(S), OR PROJECT(S) IS NOT TO BE USED AND/OR INTENDED FOR ENGINEERING OR CONSTRUCTION PURPOSES, BUT FOR ILLUSTRATIVE PURPOSES ONLY. ANY USE OF THIS DOCUMENTATION AND/OR OTHER ARTICLES PRODUCED BY RED LEONARD WITHOUT WRITTEN AUTHORIZATION FROM JAYME J. LEONARD IS STRICTLY PROHIBITED.

PROJECT NAME:
WAWA #7401
PLAINFIELD, IN
DRAWING NUMBER:
RL-9324-S1-R1

AREA/FLOOD	
CANOPY	
DOWNLIGHT	
WALL MOUNTED	
COVELINE	
WALL MOUNTED	
WALL MOUNTED	
WALL MOUNTED	

