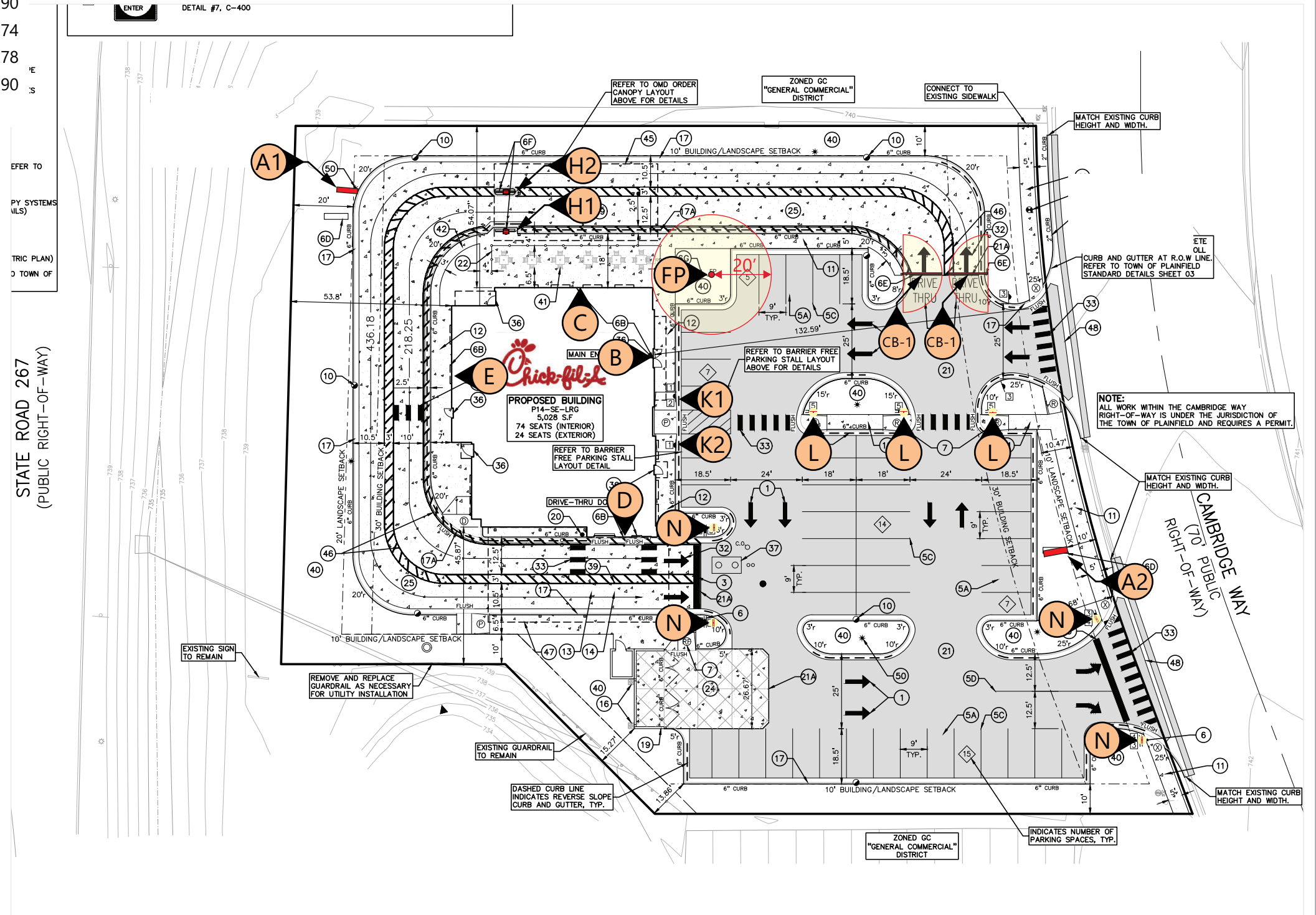


| Item                    | Description             | Qty | Sign Area | Allowed |
|-------------------------|-------------------------|-----|-----------|---------|
| A1                      | Main ID Sign            | 1   | 40.00     | 40.00   |
| A2                      | Main ID Sign            | 1   | 40.00     | 40.00   |
| B                       | Wall Sign - Script 5.0' | 1   | 37.71     | 170.90  |
| C                       | Wall Sign - Script 5.0' | 1   | 37.71     | 139.74  |
| D                       | Wall Sign - Icon 6.0'   | 1   | 36.00     | 141.78  |
| E                       | Wall Sign - Script 5.0' | 1   | 37.71     | 170.90  |
| <b>Aggregate Totals</b> |                         |     | 229.13    |         |

| Item  | Description                     | Qty |
|-------|---------------------------------|-----|
| K1    | DOT - Handicapped Parking       | 1   |
| K2    | DOT - Handicapped Parking (Van) | 1   |
| L     | DOT - Pedestrian Sign           | 3   |
| N     | DOT - Stop / Do Not Enter       | 4   |
| H1-H2 | Menu Board (Lane 1 and 2)       | 2   |
| CB-1  | Clearance Bar (single) 13.00'   | 2   |
| FP    | Flag pole (50')                 | 1   |



5198 North Lake Drive  
 Lake City, GA 30260  
 404.361.3800  
 www.claytonsigns.com

**SITE PLAN**

DRAWING FILE - CFA - PLAINFIELD, IN SIGNAGE.CDR

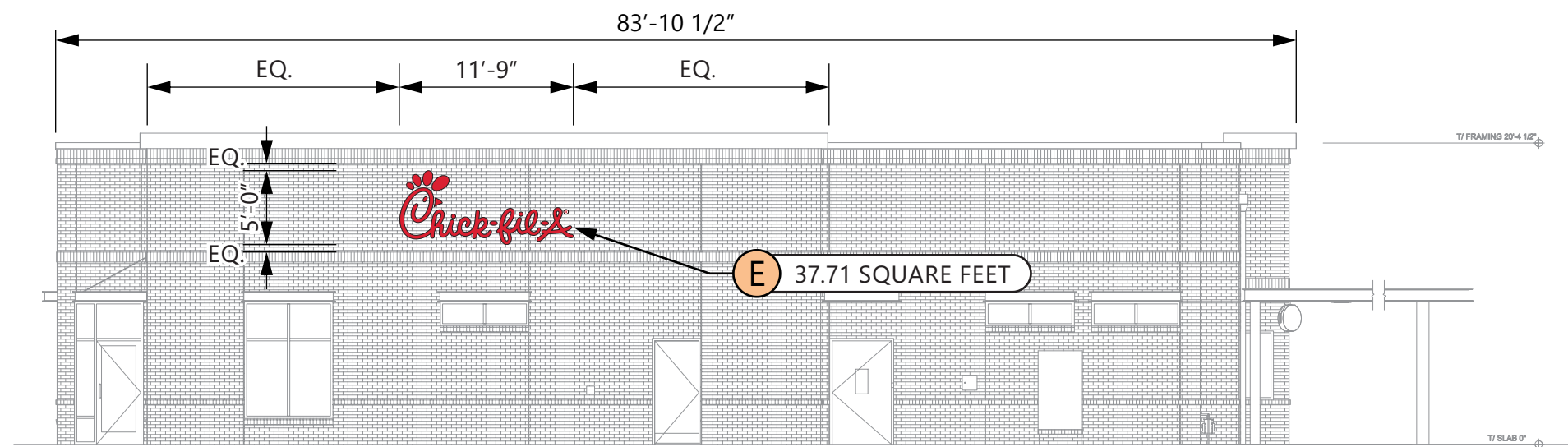
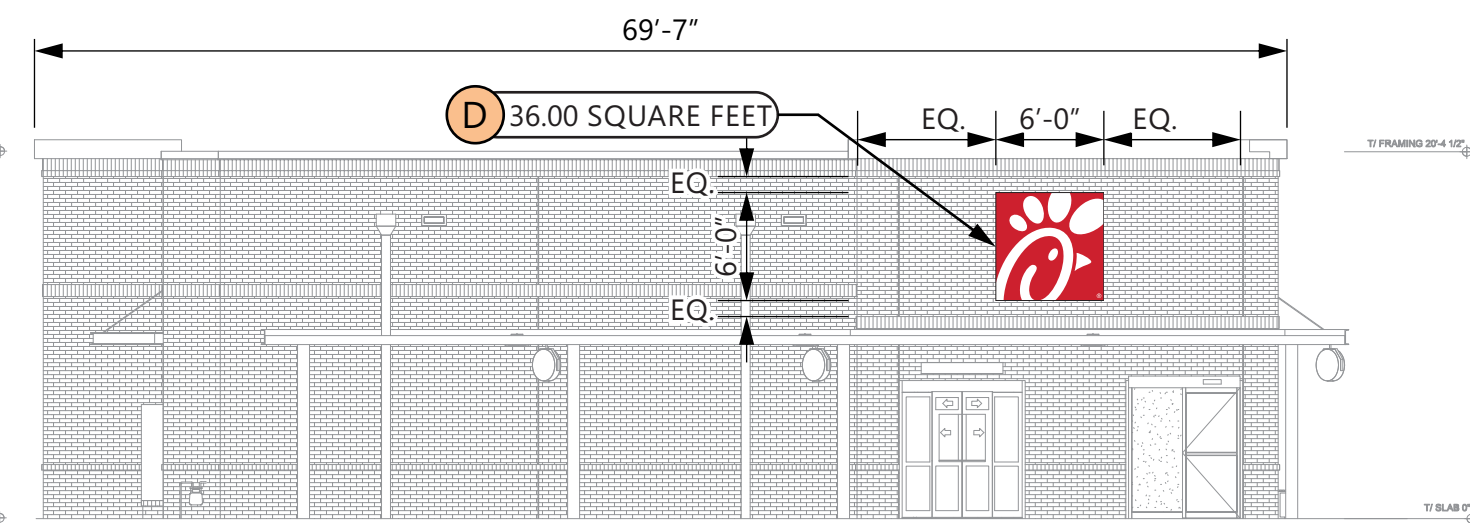
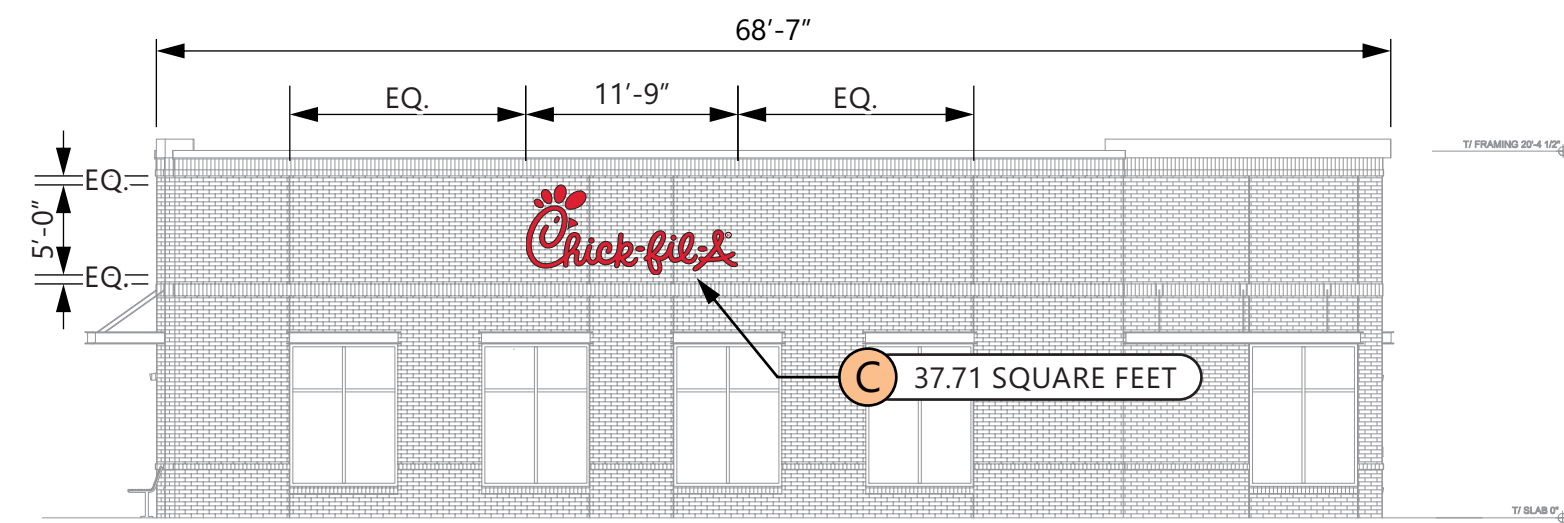
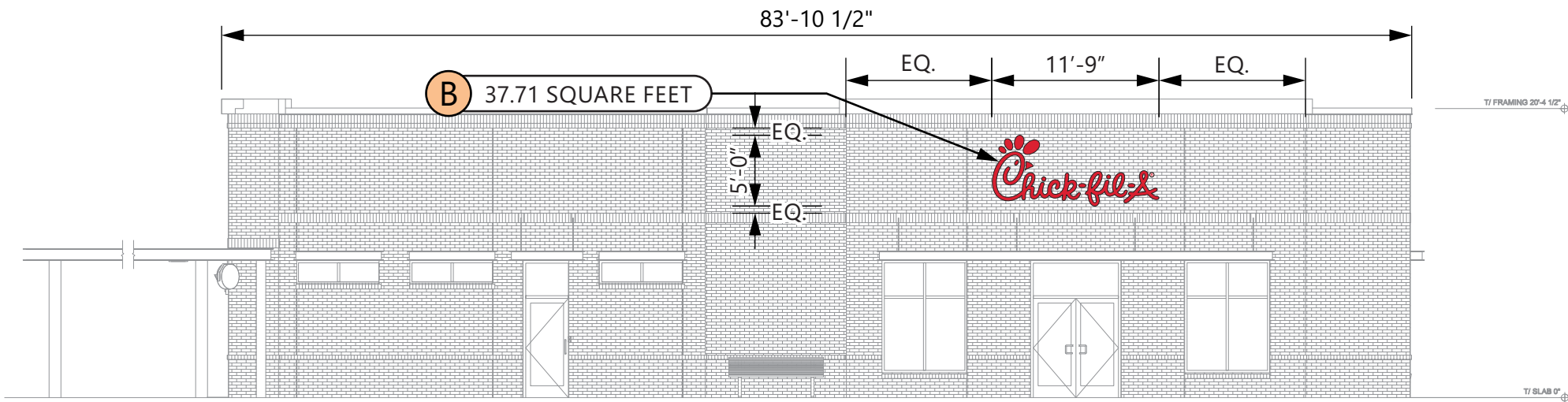
ALL ELECTRICAL  
 SIGNS ARE  
 120 VOLTS  
 UNLESS  
 OTHERWISE INDICATED

DRAWN BY Ben Holliday  
 ACCOUNT REP. Ben Holliday  
 DRAWING DATE December 2, 2022  
 REVISION DATE December 2, 2022

| STORE NUMBER | STORE ADDRESS   |
|--------------|---|
| L05219       | Chick-fil-A at Plainfield, IN<br>6102 Cambridge Way<br>Plainfield, IN 46168 |

THIS DRAWING IS AN ORIGINAL, UNPUBLISHED DESIGN CREATED BY CLAYTON SIGNS, INC. IT IS NOT TO BE REPRODUCED, CHANGED, OR EXHIBITED TO ANYONE OUTSIDE OF YOUR COMPANY IN WHOLE OR IN PART WITHOUT WRITTEN PERMISSION FROM THE OWNER OF CLAYTON SIGNS, INC. ANY SUCH ACTIONS MAY BE SUBJECT TO LEGAL ACTION IN A COURT OF LAW.  
 ©2022 ALL RIGHTS RESERVED

**SITE PLAN**



**ELEVATIONS**

SCALE - 3/32" = 1'-0"



5198 North Lake Drive  
 Lake City, GA 30260  
 404.361.3800  
 www.claytonsigns.com

**ELEVATIONS**

DRAWING FILE - CFA - PLAINFIELD, IN SIGNAGE.CDR

ALL ELECTRICAL  
 SIGNS ARE  
 120 VOLTS  
 UNLESS  
 OTHERWISE INDICATED

DRAWN BY Ben Holliday  
 ACCOUNT REP. Ben Holliday  
 DRAWING DATE December 2, 2022  
 REVISION DATE December 2, 2022

| STORE NUMBER | STORE ADDRESS   |
|--------------|---|
| L05219       | Chick-fil-A at Plainfield, IN<br>6102 Cambridge Way<br>Plainfield, IN 46168 |

THIS DRAWING IS AN ORIGINAL, UNPUBLISHED DESIGN CREATED BY CLAYTON SIGNS, INC. IT IS NOT TO BE REPRODUCED, CHANGED, OR EXHIBITED TO ANYONE OUTSIDE OF YOUR COMPANY IN WHOLE OR IN PART WITHOUT WRITTEN PERMISSION FROM THE OWNER OF CLAYTON SIGNS, INC. ANY SUCH ACTIONS MAY BE SUBJECT TO LEGAL ACTION IN A COURT OF LAW.  
 ©2022 ALL RIGHTS RESERVED


**BUILDING  
 ELEVATIONS**


# SPECIFICATIONS

SIGN CABINET IS SIGN COMP #2005 EXTRUDED CABINET WITH A SIGN COMP # 2085/2095 BLEED FLEX FACE FRAME  
 CABINET IS INTERNALLY ILLUMINATED WHITE LED 6500K LIGHTS, SPACED EVENLY. PAINT INTERIOR OF CABINETS MATTE WHITE.  
 CLOSED SUNDAY PANEL (IF SHOWN)  
 IS .125" ALUM. ROUTED FACE BACKED ACRYLIC.

READER BOARD CABINET (IF SHOWN)  
 .125" ALUM. FACE PANEL WITH ROUTED OPENING FOR READER BOARD AND COPY READING "CLOSED SUNDAY" APERCU SENTENCE CASE BOLD.  
 HINGED VANDAL COVER FRAME WITH 187" THICK CLEAR POLYCARBONATE FACE WITH INSET .125" #7328 WHITE.  
 READER FACE WITH ZIP TRACK TO ACCOMMODATE WAGNER ZIP LETTER SET THAT INCLUDES FRANKLIN GOTHIC EXTRA CONDENSED UPPERCASE LETTER SET OF 334 CHARACTERS WITH PUNCTUATION MARKS.

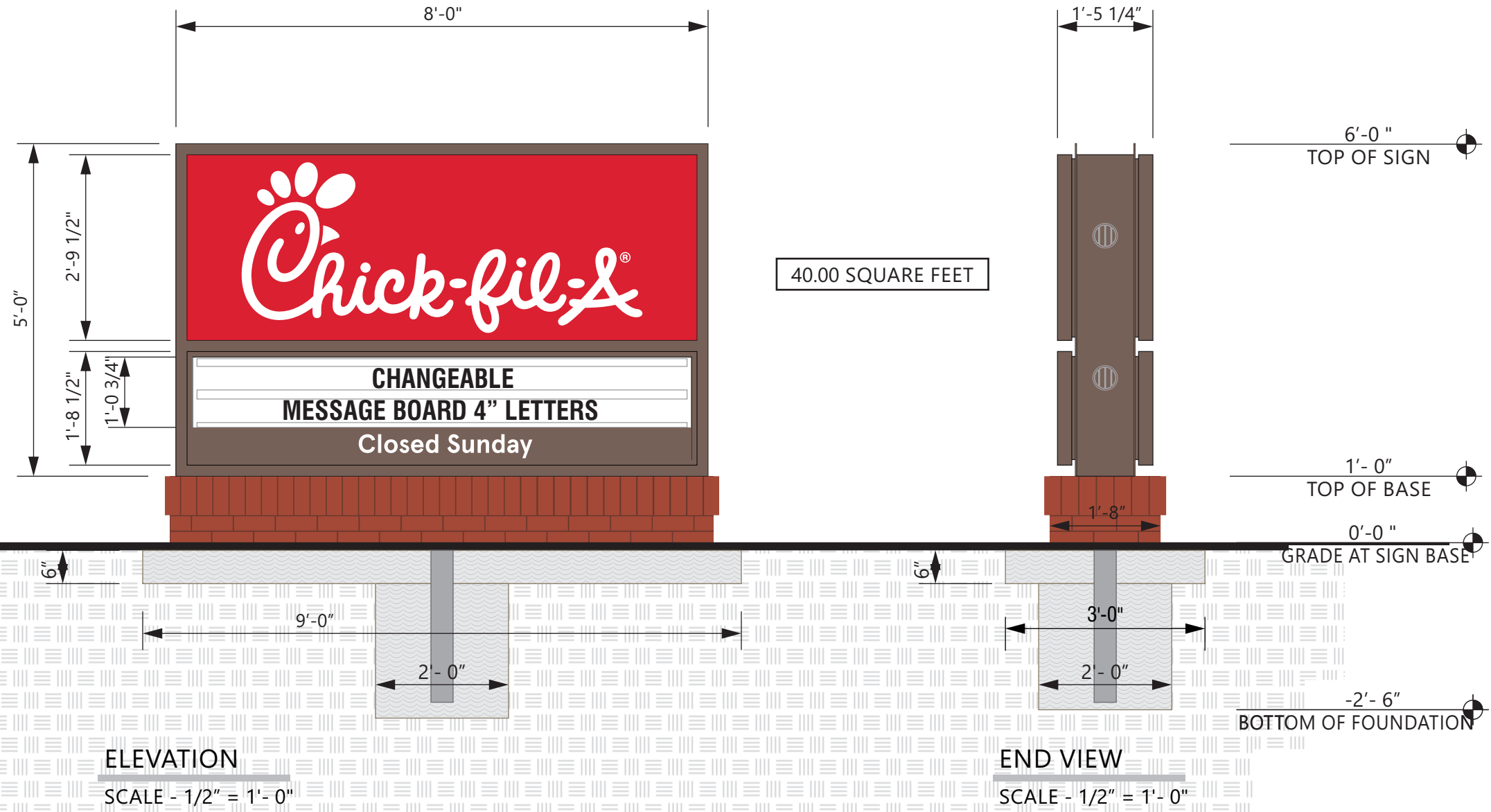
MASONRY WORK BY THE GENERAL CONTRACTOR  
 FOUNDATION IS FURNISHED BY CLAYTON SIGNS, INC.

  
 3M #3630-53 TRANSLUCENT CARDINAL RED TENSION FRAME COVER TO BE PAINTED  
 GENESIS M SINGLE STAGE (G2-SERIES) RED #48247

  
 WHITE BLEED 3M PANOGRAPHIC III FLEX FACE  
 W/.125" #7328 WHITE PLEX


  
 PAINTED MATTHEWS #74155 DARK BRONZE, SEMI-GLOSS

  
 MASONRY TO MATCH BUILDING



**ELEVATION**  
 SCALE - 1/2" = 1'- 0"

**END VIEW**  
 SCALE - 1/2" = 1'- 0"

|   |   |   |
|---|---|---|
| <br>LISTED | <b>DOUBLE FACED CABINET</b><br>LED's GEWHDS96 - 71K - DOUBLE SIDED<br>POWER SUPPLY GEPS24 - 24V POWER SUPPLY  | <b>WET LOCATION</b><br>CONNECT THE AC LINE TO THE BLACK (LINE) AND WHITE (NEUTRAL) INPUT WIRES OF THE POWER SUPPLY USING 18-14 AWG TWIST ON WIRE CONNECTORS. GROUND POWER SUPPLY GREEN WIRE TO GROUNDING SCREW. REPLACE JUNCTION BOX COVER. |
|   | THIS SIGN IS INTENDED TO BE INSTALLED IN ACCORDANCE WITH REQUIREMENTS OF ARTICLE 600 OF THE NATIONAL ELECTRICAL CODE AND/OR APPLICABLE LOCAL CODES. THIS INCLUDES PROPER GROUNDING & BONDING OF THE SIGN. |   |

  
 5198 North Lake Drive  
 Lake City, GA 30260  
 404.361.3800  
 www.claytonsigns.com

## MONUMENT SIGN

DRAWING FILE - CFA - PLAINFIELD, IN SIGNAGE.CDR

ALL ELECTRICAL SIGNS ARE 120 VOLTS UNLESS OTHERWISE INDICATED

DRAWN BY Ben Holliday  
 ACCOUNT REP. Ben Holliday  
 DRAWING DATE December 2, 2022  
 REVISION DATE December 2, 2022

| STORE NUMBER  | STORE ADDRESS   |
|---------------|---|
| <b>L05219</b> | Chick-fil-A at Plainfield, IN<br>6102 Cambridge Way<br>Plainfield, IN 46168 |

THIS DRAWING IS AN ORIGINAL, UNPUBLISHED DESIGN CREATED BY CLAYTON SIGNS, INC. IT IS NOT TO BE REPRODUCED, CHANGED, OR EXHIBITED TO ANYONE OUTSIDE OF YOUR COMPANY IN WHOLE OR IN PART WITHOUT WRITTEN PERMISSION FROM THE OWNER OF CLAYTON SIGNS, INC. ANY SUCH ACTIONS MAY BE SUBJECT TO LEGAL ACTION IN A COURT OF LAW.  
 ©2022 ALL RIGHTS RESERVED

**LOCATION**  
**A1/A2**

# SPECIFICATIONS

## CHICK-FIL-A SCRIPT LETTERS

LETTERS ARE LED-ILLUMINATED CHANNEL LETTERS MOUNTED ON ALUMINUM SURFACE OF BUILDING WITH TRANSFORMERS REMOTELY LOCATED BEHIND THE WALL IN UL APPROVED TRANSFORMER BOXES. FACES ARE 3/16" ACRYLIC RETURNS ARE .063 ALUMINUM BACKS ARE .080 ALUMINUM ALL RETURNS ARE ARC-WELDED TO LETTER BACKS



CHANNEL LETTER FACES  
2793 RED ACRYLIC  
TRIMCAP RETAINER-  
1" RED JEWELITE TRIMCAP

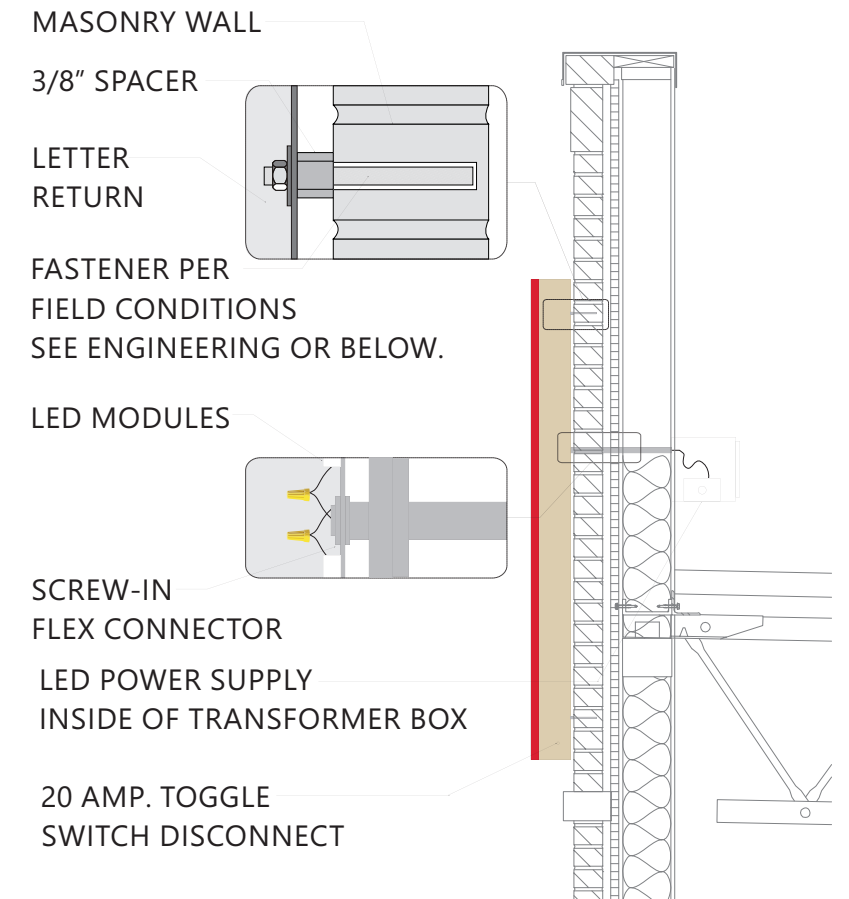


ALUMINUM RETURNS  
PAINTED TO MATCH  
SHERWIN WILLIAMS  
SW6108 LATTE



### ELEVATION

SCALE - 1/2" = 1'- 0"



**FASTENER NOTE:**  
USE 18-8 STAINLESS STEEL BOLTS W/ SPACERS THRU EIFS. EXPANSION BOLTS IN CONCRETE OR BRICK WALLS. TOGGLE BOLTS IN CONCRETE BLOCK OR PANEL WALLS. TEK SCREWS IN METAL STUDS. LAG-BOLTS IN WOOD STUDS. ALL THREAD BOLTS WITH BLOCKING BETWEEN STUDS.

### CROSS-SECTION

SCALE - 1/2" = 1'- 0"

|      |   |  |   |
|------|---|--|---|
| <br> | <b>CHANNEL LETTERS (RED ILLUMINATION)</b><br>LED's<br>JTSL5016R-0.4 RED LED<br>POWER SUPPLY<br>BL-120-12-60 POWER SUPPLY  | <br>CONNECT THE AC LINE TO THE BLACK (LINE) AND WHITE (NEUTRAL) INPUT WIRES OF THE POWER SUPPLY USING 18-14 AWG TWIST ON WIRE CONNECTORS. GROUND POWER SUPPLY GREEN WIRE TO GROUNDING SCREW. REPLACE JUNCTION BOX COVER. | <b>WET LOCATION</b><br><br>Green with yellow stripe ground<br>White (neutral)<br>Black (line) |
|      | THIS SIGN IS INTENDED TO BE INSTALLED IN ACCORDANCE WITH REQUIREMENTS OF ARTICLE 600 OF THE NATIONAL ELECTRICAL CODE AND/OR APPLICABLE LOCAL CODES. THIS INCLUDES PROPER GROUNDING & BONDING OF THE SIGN. |  |   |



5198 North Lake Drive  
Lake City, GA 30260  
404.361.3800  
www.claytonsigns.com

LED-ILLUMINATED  
CHANNEL LETTERS

DRAWING FILE - CFA - PLAINFIELD, IN SIGNAGE.CDR

ALL ELECTRICAL  
SIGNS ARE  
120 VOLTS  
UNLESS  
OTHERWISE INDICATED

|               |                  |
|---------------|------------------|
| DRAWN BY      | Ben Holliday     |
| ACCOUNT REP.  | Ben Holliday     |
| DRAWING DATE  | December 2, 2022 |
| REVISION DATE | December 2, 2022 |

| STORE NUMBER  | STORE ADDRESS   |
|---------------|---|
| <b>L05219</b> | Chick-fil-A at Plainfield, IN<br>6102 Cambridge Way<br>Plainfield, IN 46168 |

THIS DRAWING IS AN ORIGINAL, UNPUBLISHED DESIGN CREATED BY CLAYTON SIGNS, INC. IT IS NOT TO BE REPRODUCED, CHANGED, OR EXHIBITED TO ANYONE OUTSIDE OF YOUR COMPANY IN WHOLE OR IN PART WITHOUT WRITTEN PERMISSION FROM THE OWNER OF CLAYTON SIGNS, INC. ANY SUCH ACTIONS MAY BE SUBJECT TO LEGAL ACTION IN A COURT OF LAW.  
©2022 ALL RIGHTS RESERVED

LOCATION  
**B,C,E**

# SPECIFICATIONS

## CABINET

ALUMINUM CABINET HAS EXTRUDED ALUMINUM

## FACES

FLEX FACES DECORATED WITH TRANSLUCENT VINYL

FILM ON SURFACE OF ACRYLIC.

INTERNALLY ILLUMINATED WITH WHITE LED 6500K LIGHTS.

DISCONNECT SWITCH AS REQUIRED PER NEC.

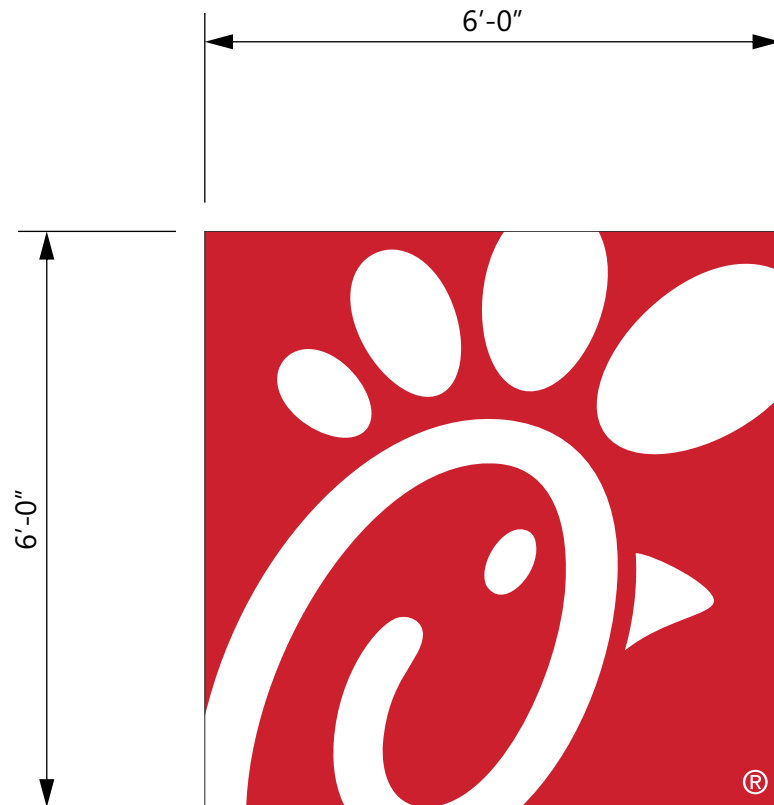
## FACES

3M #3630-53 CARDINAL  
RED TRANSLUCENT VINYL

## CABINET

GENESIS M SINGLE STAGE  
(G2-SERIES) RED #48247

3M PANOGRAPHIC III FLEX FACE



**ELEVATION**

SCALE - 1/2" = 1'- 0"

36.00 SQUARE FEET

WALL SHEATHING

3/8" SPACER

SIGN  
CABINET

3/8" STAINLESS  
STEEL LAG BOLT INTO BLOCKING

2 x 8" WOOD BLOCKING  
FOR MOUNTING OF SIGN

2 x 8" WOOD BLOCKING  
FOR MOUNTING OF SIGN

20 AMP. SWITCH DISCONNECT

**END VIEW**

SCALE - 1/2" = 1'- 0"

|   |  |  |   |
|---|--|--|---|
|   | <b>SINGLE FACED CABINET</b>  |  | <b>WET LOCATION</b>   |
|   | LED'S GEVHSSPS3 - 71K - SINGLED SID<br>POWER SUPPLY<br>GEPST2 - 12V POWER SUPPLY |  | CONNECT THE AC LINE TO THE<br>BLACK (LINE) AND WHITE<br>(NEUTRAL) INPUT WIRES OF THE<br>POWER SUPPLY USING 18-14 AWG<br>TWIST ON WIRE CONNECTORS.<br>GROUND POWER SUPPLY GREEN<br>WIRE TO GROUNDING SCREW.<br>REPLACE JUNCTION BOX COVER. |
| THIS SIGN IS INTENDED TO BE INSTALLED IN ACCORDANCE WITH REQUIREMENTS OF ARTICLE 600 OF THE NATIONAL ELECTRICAL CODE AND/OR APPLICABLE LOCAL CODES. THIS INCLUDES PROPER GROUNDING & BONDING OF THE SIGN. |  |  |   |



5198 North Lake Drive  
Lake City, GA 30260  
404.361.3800  
www.claytonsigns.com

**WALL SIGN**

DRAWING FILE - CFA - PLAINFIELD, IN SIGNAGE.CDR

ALL ELECTRICAL  
SIGNS ARE  
120 VOLTS  
UNLESS  
OTHERWISE INDICATED

DRAWN BY Ben Holliday  
ACCOUNT REP. Ben Holliday  
DRAWING DATE December 2, 2022  
REVISION DATE December 2, 2022

| STORE NUMBER  | STORE ADDRESS   |
|---------------|---|
| <b>L05219</b> | Chick-fil-A at Plainfield, IN<br>6102 Cambridge Way<br>Plainfield, IN 46168 |

THIS DRAWING IS AN ORIGINAL, UNPUBLISHED DESIGN CREATED BY CLAYTON SIGNS, INC. IT IS NOT TO BE REPRODUCED, CHANGED, OR EXHIBITED TO ANYONE OUTSIDE OF YOUR COMPANY IN WHOLE OR IN PART WITHOUT WRITTEN PERMISSION FROM THE OWNER OF CLAYTON SIGNS, INC. ANY SUCH ACTIONS MAY BE SUBJECT TO LEGAL ACTION IN A COURT OF LAW.  
©2022 ALL RIGHTS RESERVED

**LOCATION**

**D**

# SPECIFICATIONS

ALUMINUM CONSTRUCTION CABINETS  
WITH DIGITAL DISPLAY BOARDS  
WITH STATIC IMAGES

MENU BOARDS FURNISHED  
BY COATES GROUP AND  
INSTALLED BY HONOR BUILT  
MENU BOARD COLUMN AND FRAMING  
FURNISHED AND INSTALLED BY  
PATTISON SIGN GROUP  
ANCHOR CAGES AND FOOTINGS  
FURNISHED AND INSTALLED BY  
CLAYTON SIGNS

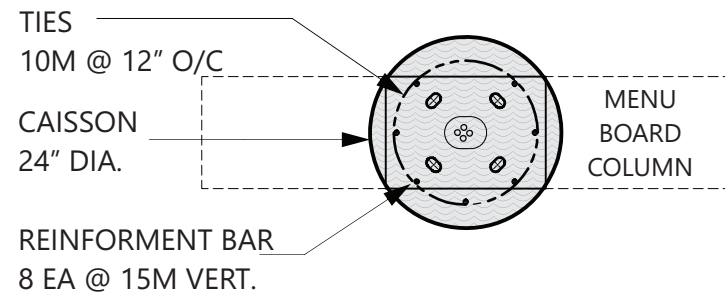
# COLORS



CHICK-FIL-A DARK BRONZE

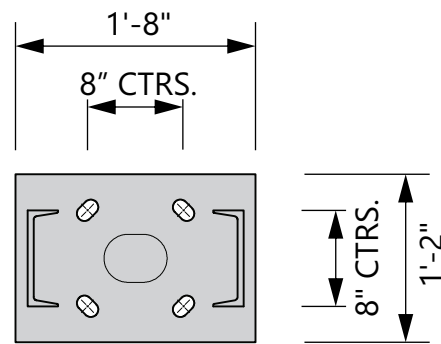


WHITE REFLECTIVE VINYL FILM



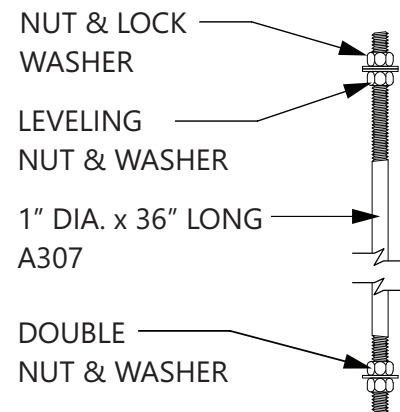
## PLAN VIEW

SCALE - 1/2" = 1'- 0"



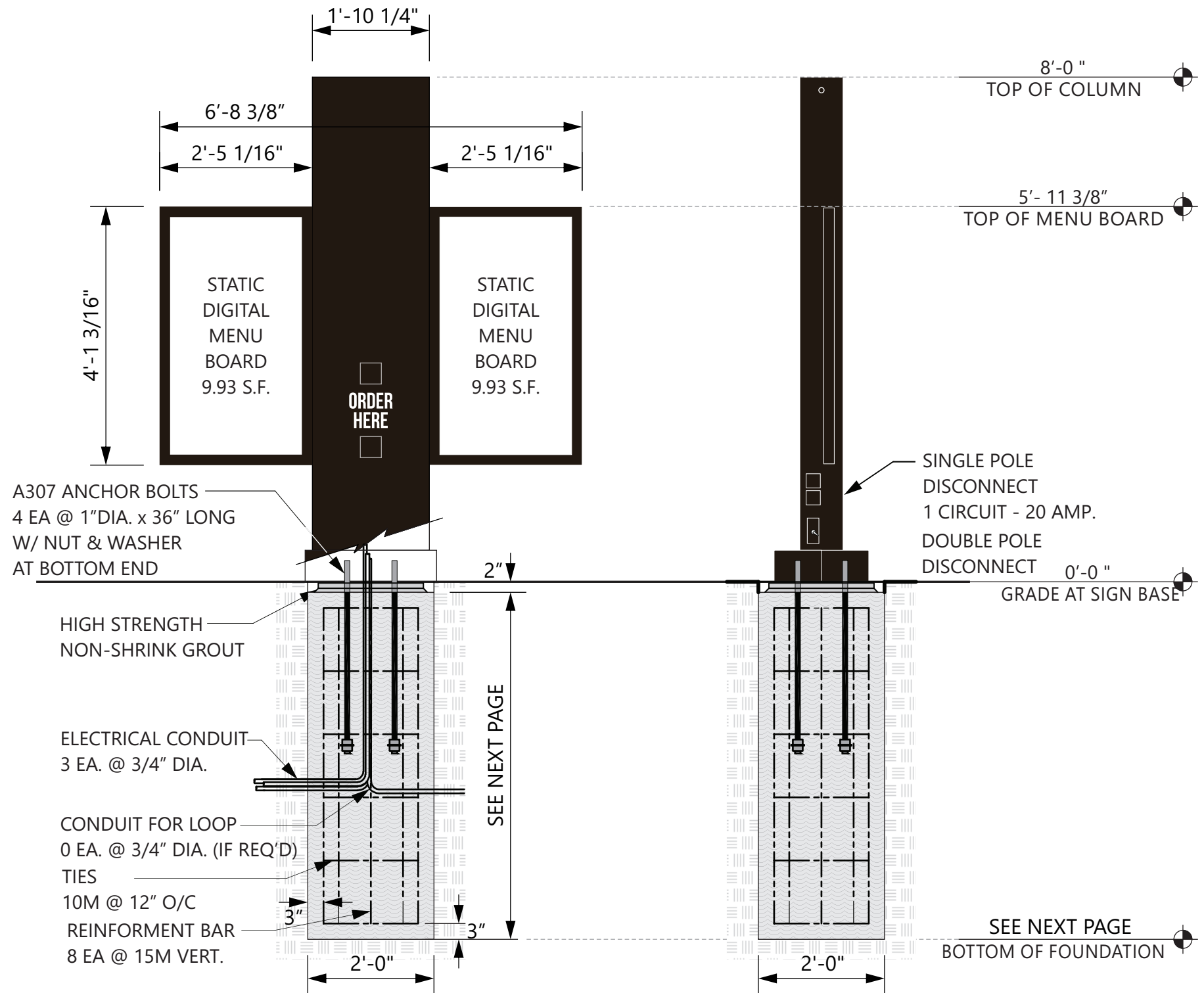
## BASE PLATE DETAIL

SCALE - 3/4" = 1'- 0"



## ANCHOR BOLT - QTY. 4

NOT TO SCALE



## ELEVATION

SCALE - 1/2" = 1'- 0"

## END VIEW

SCALE - 1/2" = 1'- 0"



5198 North Lake Drive  
Lake City, GA 30260  
404.361.3800  
www.claytonsigns.com

STATIC DIGITAL DRIVE-THRU  
MENU BOARDS

DRAWING FILE - CFA - PLAINFIELD, IN SIGNAGE.CDR

ALL ELECTRICAL  
SIGNS ARE  
120 VOLTS  
UNLESS  
OTHERWISE INDICATED

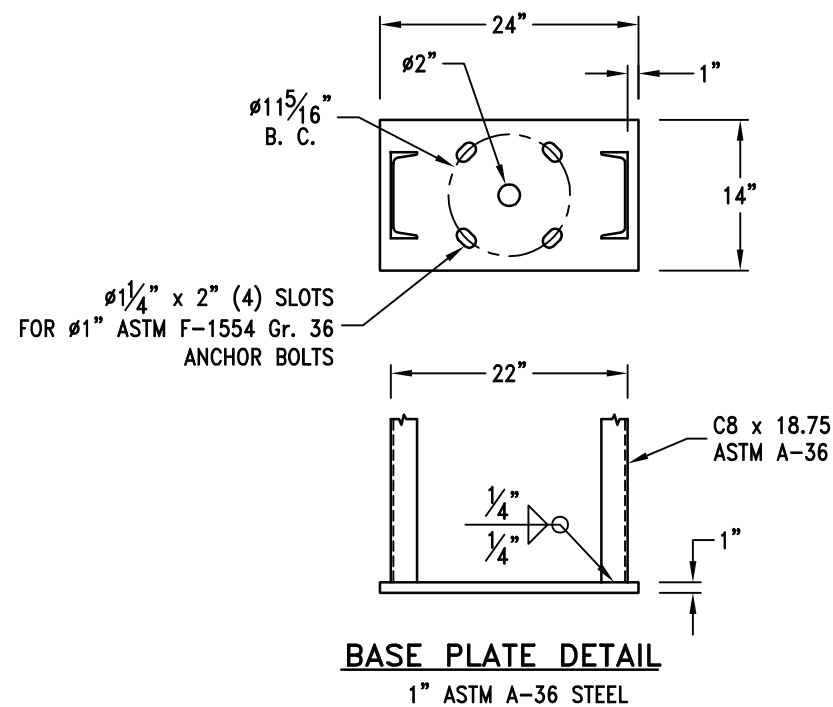
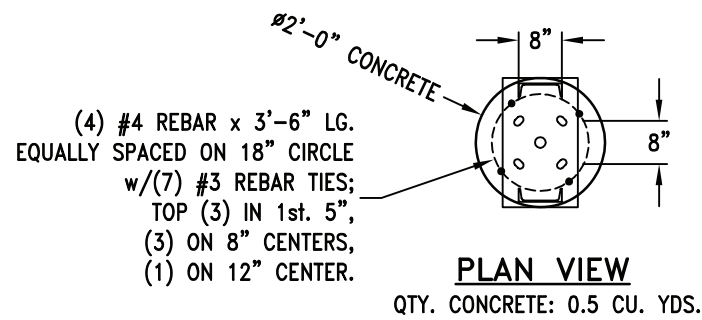
DRAWN BY Ben Holliday  
ACCOUNT REP. Ben Holliday  
DRAWING DATE December 2, 2022  
REVISION DATE December 2, 2022

| STORE NUMBER | STORE ADDRESS   |
|--------------|---|
| L05219       | Chick-fil-A at Plainfield, IN<br>6102 Cambridge Way<br>Plainfield, IN 46168 |

THIS DRAWING IS AN ORIGINAL, UNPUBLISHED DESIGN CREATED BY CLAYTON SIGNS, INC. IT IS NOT TO BE REPRODUCED, CHANGED, OR EXHIBITED TO ANYONE OUTSIDE OF YOUR COMPANY IN WHOLE OR IN PART WITHOUT WRITTEN PERMISSION FROM THE OWNER OF CLAYTON SIGNS, INC. ANY SUCH ACTIONS MAY BE SUBJECT TO LEGAL ACTION IN A COURT OF LAW.

©2022 ALL RIGHTS RESERVED

LOCATION  
H1/H2

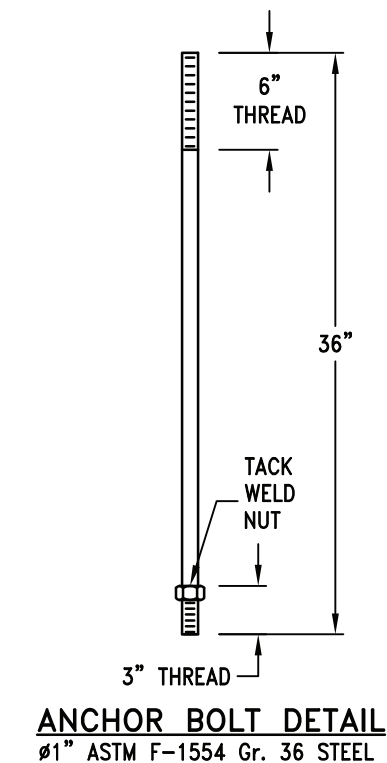
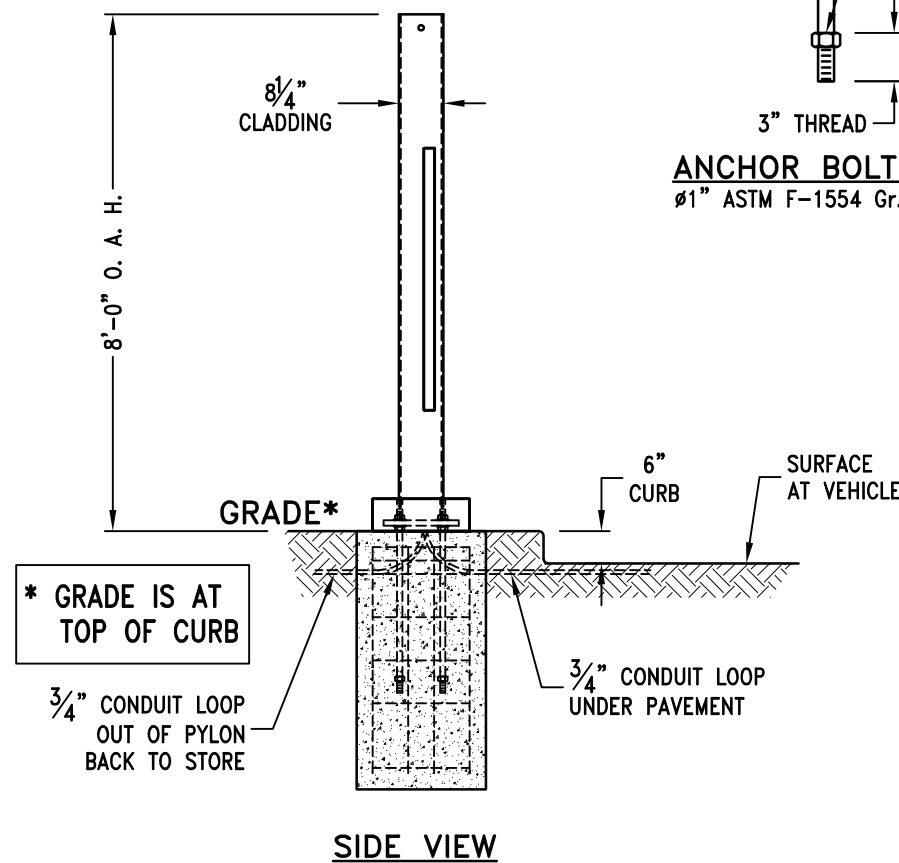
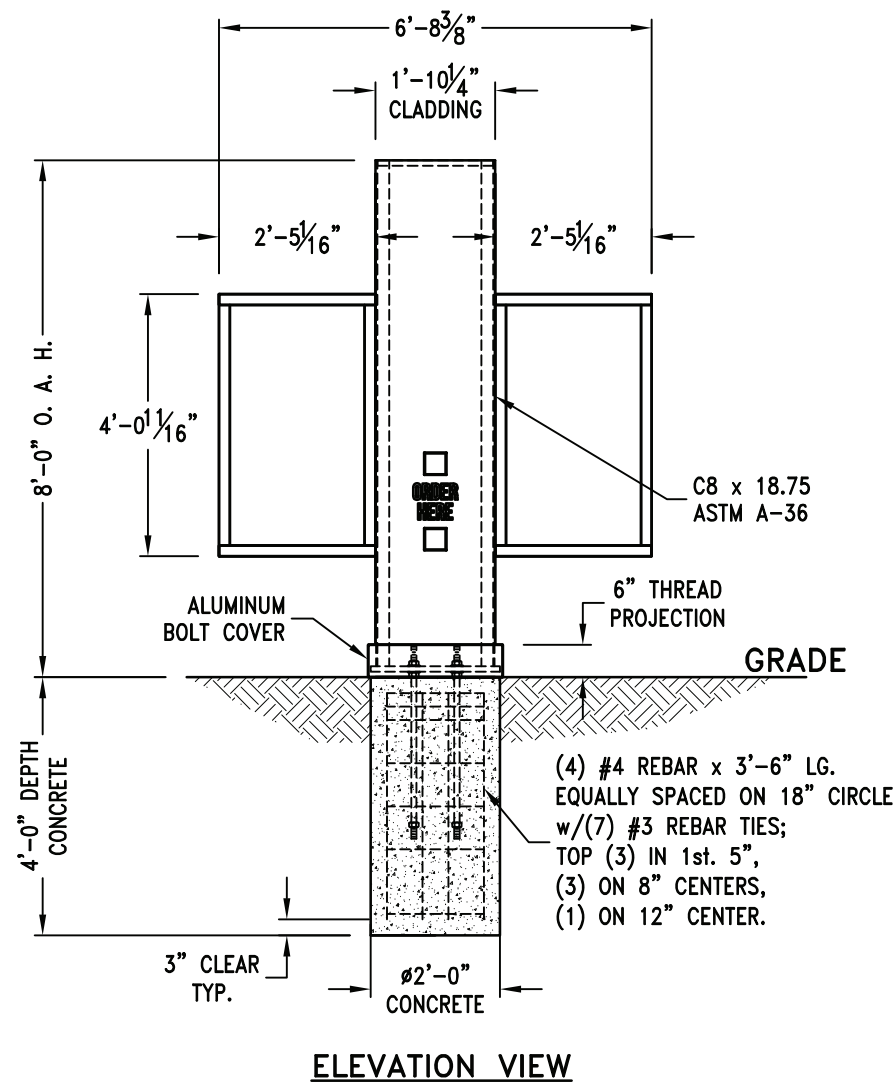


**FOUNDATION DESIGN NOTES:**

- Concrete shall have a minimum compressive strength of 3000 PSI at 28 days.
- Reinforcing steel shall be ASTM A-615 Gr. 60.
- Caisson footing designed using a soil bearing force of 150 PSF per foot Lateral. If this soil condition does not exist, it is the Erector's responsibility to have a new footing designed for the existing soil conditions by a Licensed Engineer.
- Anchor bolts shall be ASTM F-1554 Gr. 36 steel.

**DESIGN WIND LOAD:**

Based on the 2015 International Building Code (ASCE 7-10) using Risk Category II, Exposure C and 115 mph wind speed.



5198 North Lake Drive  
 Lake City, GA 30260  
 404.361.3800  
 www.claytonsigns.com

STATIC DIGITAL DRIVE-THRU  
 MENU BOARDS

DRAWING FILE - CFA - PLAINFIELD, IN SIGNAGE.CDR

ALL ELECTRICAL  
 SIGNS ARE  
 120 VOLTS  
 UNLESS  
 OTHERWISE INDICATED

DRAWN BY Ben Holliday  
 ACCOUNT REP. Ben Holliday  
 DRAWING DATE December 2, 2022  
 REVISION DATE December 2, 2022

| STORE NUMBER | STORE ADDRESS   |
|--------------|---|
| L05219       | Chick-fil-A at Plainfield, IN<br>6102 Cambridge Way<br>Plainfield, IN 46168 |

THIS DRAWING IS AN ORIGINAL, UNPUBLISHED DESIGN CREATED BY CLAYTON SIGNS, INC. IT IS NOT TO BE REPRODUCED, CHANGED, OR EXHIBITED TO ANYONE OUTSIDE OF YOUR COMPANY IN WHOLE OR IN PART WITHOUT WRITTEN PERMISSION FROM THE OWNER OF CLAYTON SIGNS, INC. ANY SUCH ACTIONS MAY BE SUBJECT TO LEGAL ACTION IN A COURT OF LAW.  
 ©2022 ALL RIGHTS RESERVED

LOCATION  
**H1/H2**

# SPECIFICATIONS

## SIGN PANELS

PANELS ARE .080 ALUMINUM WITH REFLECTIVE BACKGROUND AND GRAPHICS.

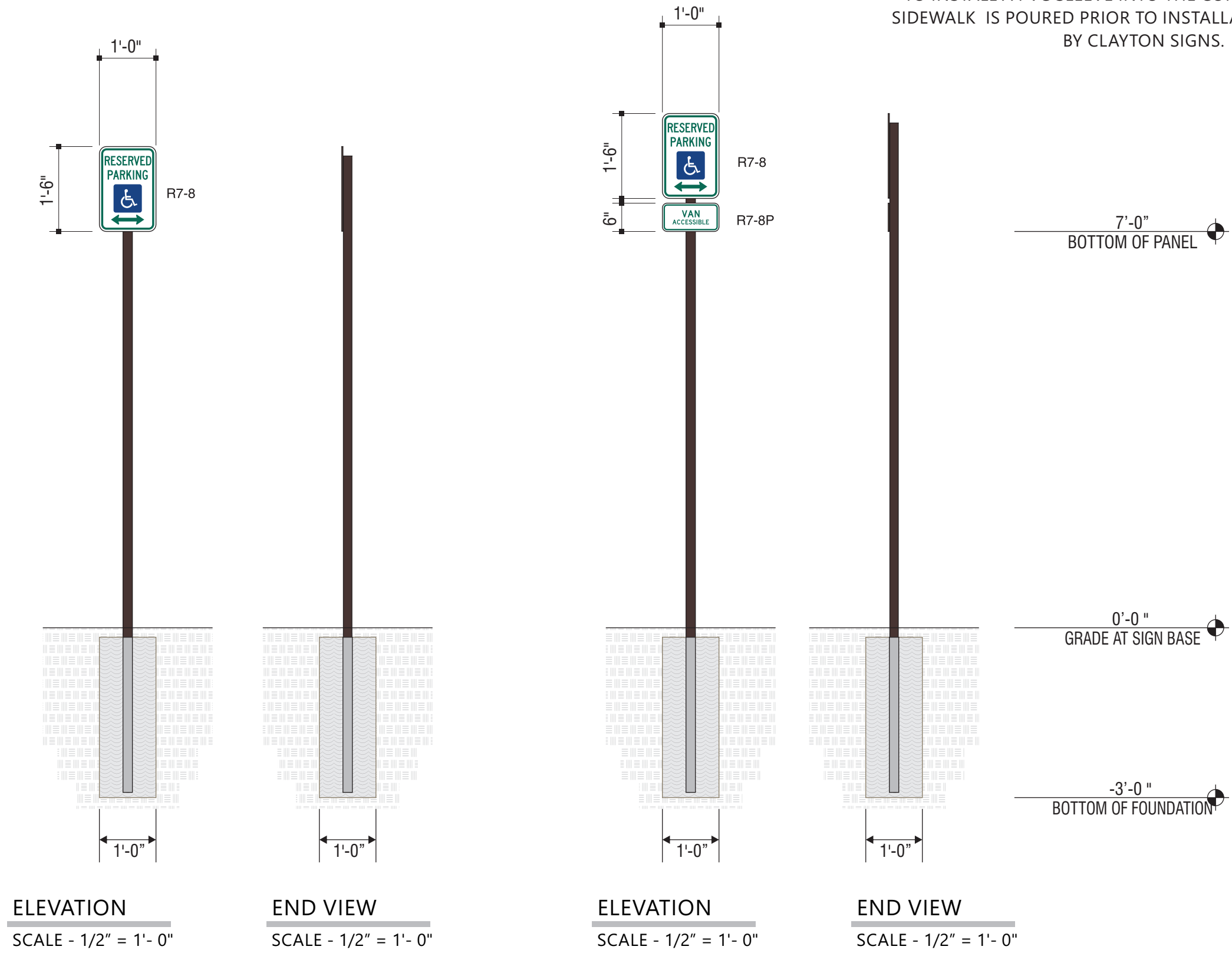
## SIGN POSTS

POSTS ARE 2" x 2" SQUARE ALUMINUM TUBING CAPPED ON TOP



BACK OF SIGN PANEL AND POST  
MP 20181 DARK BRONZE  
SW #DDM460012

NOTE: IF THIS SIGN IS LOCATED ON THE SIDEWALK THEN IT IS THE RESPONSIBILITY OF THE GENERAL CONTRACTOR TO INSTALL A PVC SLEEVE INTO THE CONCRETE WHEN THE SIDEWALK IS POURED PRIOR TO INSTALLATION OF THE SIGN BY CLAYTON SIGNS.



5198 North Lake Drive  
Lake City, GA 30260  
404.361.3800  
www.claytonsigns.com

DOT REGULATORY TRAFFIC SIGNS

DRAWING FILE - CFA - PLAINFIELD, IN SIGNAGE.CDR

ALL ELECTRICAL SIGNS ARE 120 VOLTS UNLESS OTHERWISE INDICATED

DRAWN BY Ben Holliday  
ACCOUNT REP. Ben Holliday  
DRAWING DATE December 2, 2022  
REVISION DATE December 2, 2022

| STORE NUMBER | STORE ADDRESS   |
|--------------|---|
| L05219       | Chick-fil-A at Plainfield, IN<br>6102 Cambridge Way<br>Plainfield, IN 46168 |

THIS DRAWING IS AN ORIGINAL, UNPUBLISHED DESIGN CREATED BY CLAYTON SIGNS, INC. IT IS NOT TO BE REPRODUCED, CHANGED, OR EXHIBITED TO ANYONE OUTSIDE OF YOUR COMPANY IN WHOLE OR IN PART WITHOUT WRITTEN PERMISSION FROM THE OWNER OF CLAYTON SIGNS, INC. ANY SUCH ACTIONS MAY BE SUBJECT TO LEGAL ACTION IN A COURT OF LAW.  
©2022 ALL RIGHTS RESERVED

LOCATION  
K1/K2

# SPECIFICATIONS

## SIGN PANELS

### SIGNS PANELS

PANELS ARE .080" ALUMINUM. BACKS TO BE PAINTED TO MATCH POSTS.  
 POSTS ARE 2" x 2" SQUARE ALUMINUM TUBING CAPPED ON TOP



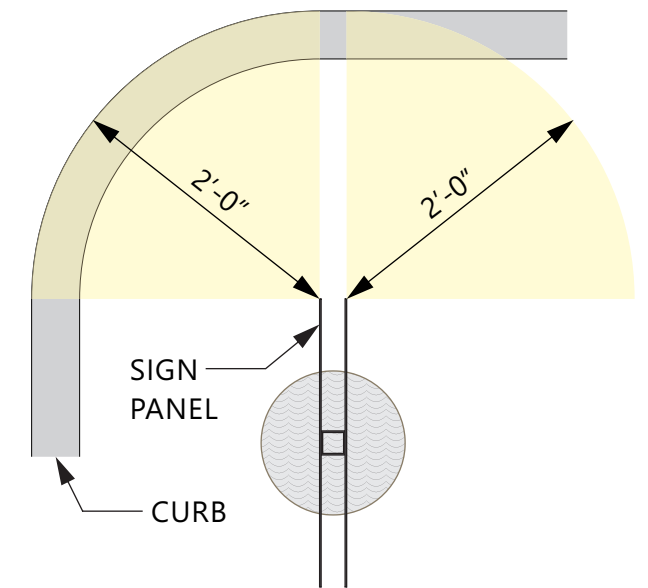
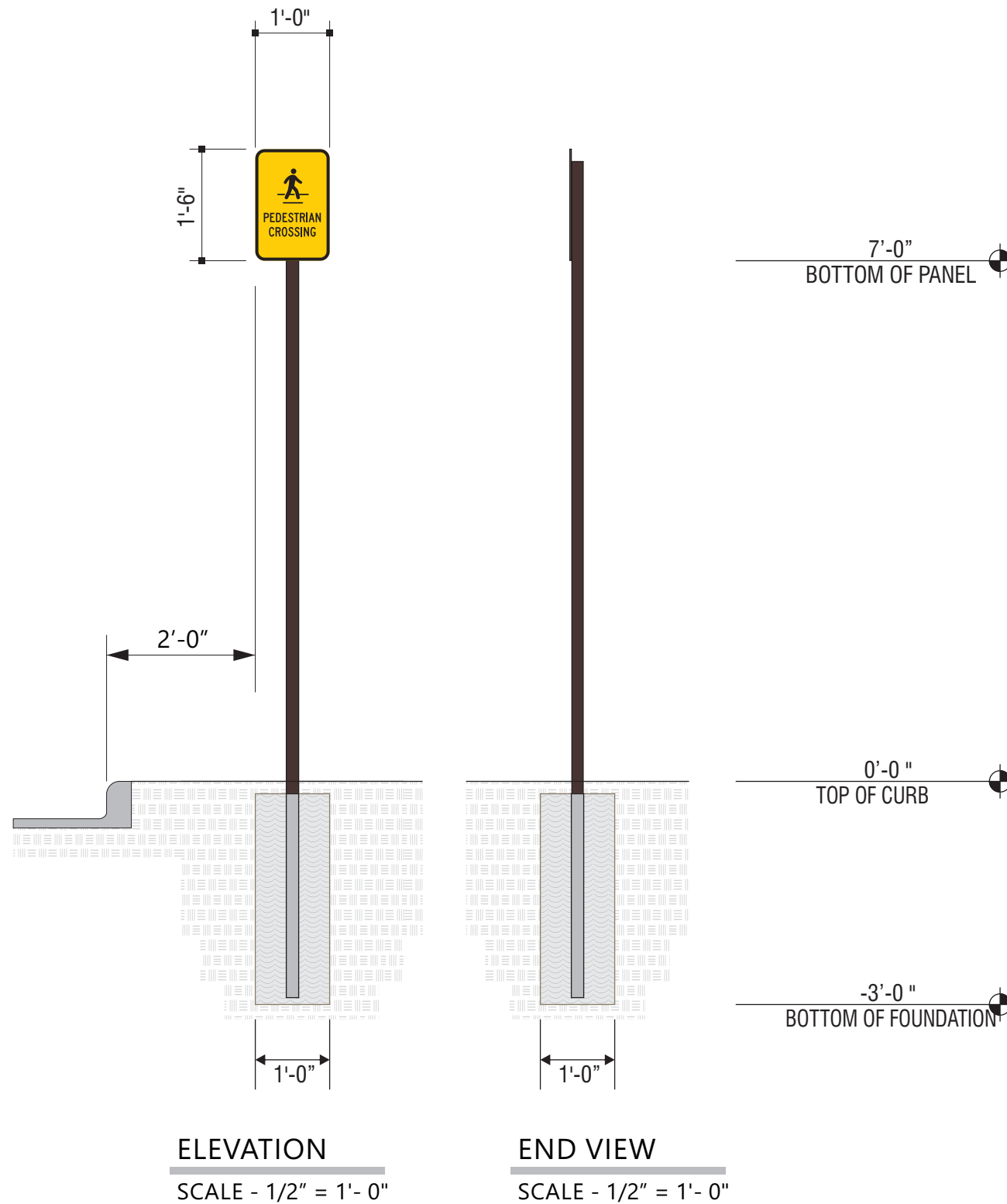
BACK OF SIGN PANEL AND POST  
 MP 20181 DARK BRONZE  
 SW #DDM460012



SIGN PANEL (IF SHOWN)  
 BLACK REFLECTIVE



SIGN PANEL (IF SHOWN)  
 3M 680-81 YELLOW REFLECTIVE



5198 North Lake Drive  
 Lake City, GA 30260  
 404.361.3800  
 www.claytonsigns.com

DOT REGULATORY TRAFFIC SIGNS

DRAWING FILE - CFA - PLAINFIELD, IN SIGNAGE.CDR

ALL ELECTRICAL  
 SIGNS ARE  
 120 VOLTS  
 UNLESS  
 OTHERWISE INDICATED

DRAWN BY Ben Holliday  
 ACCOUNT REP. Ben Holliday  
 DRAWING DATE December 2, 2022  
 REVISION DATE December 2, 2022

| STORE NUMBER | STORE ADDRESS   |
|--------------|---|
| L05219       | Chick-fil-A at Plainfield, IN<br>6102 Cambridge Way<br>Plainfield, IN 46168 |

THIS DRAWING IS AN ORIGINAL, UNPUBLISHED DESIGN CREATED BY CLAYTON SIGNS, INC. IT IS NOT TO BE REPRODUCED, CHANGED, OR EXHIBITED TO ANYONE OUTSIDE OF YOUR COMPANY IN WHOLE OR IN PART WITHOUT WRITTEN PERMISSION FROM THE OWNER OF CLAYTON SIGNS, INC. ANY SUCH ACTIONS MAY BE SUBJECT TO LEGAL ACTION IN A COURT OF LAW.  
 ©2022 ALL RIGHTS RESERVED

LOCATION

L

# SPECIFICATIONS

## SIGN PANELS

PANELS ARE .080 ALUMINUM WITH REFLECTIVE BACKGROUND AND GRAPHICS.

## SIGN POSTS

POSTS ARE 2" x 2" SQUARE ALUMINUM TUBING CAPPED ON TOP



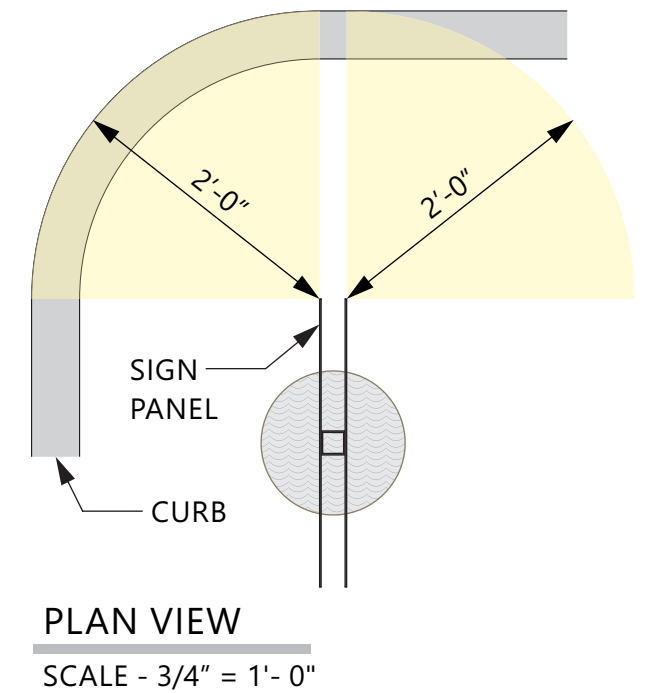
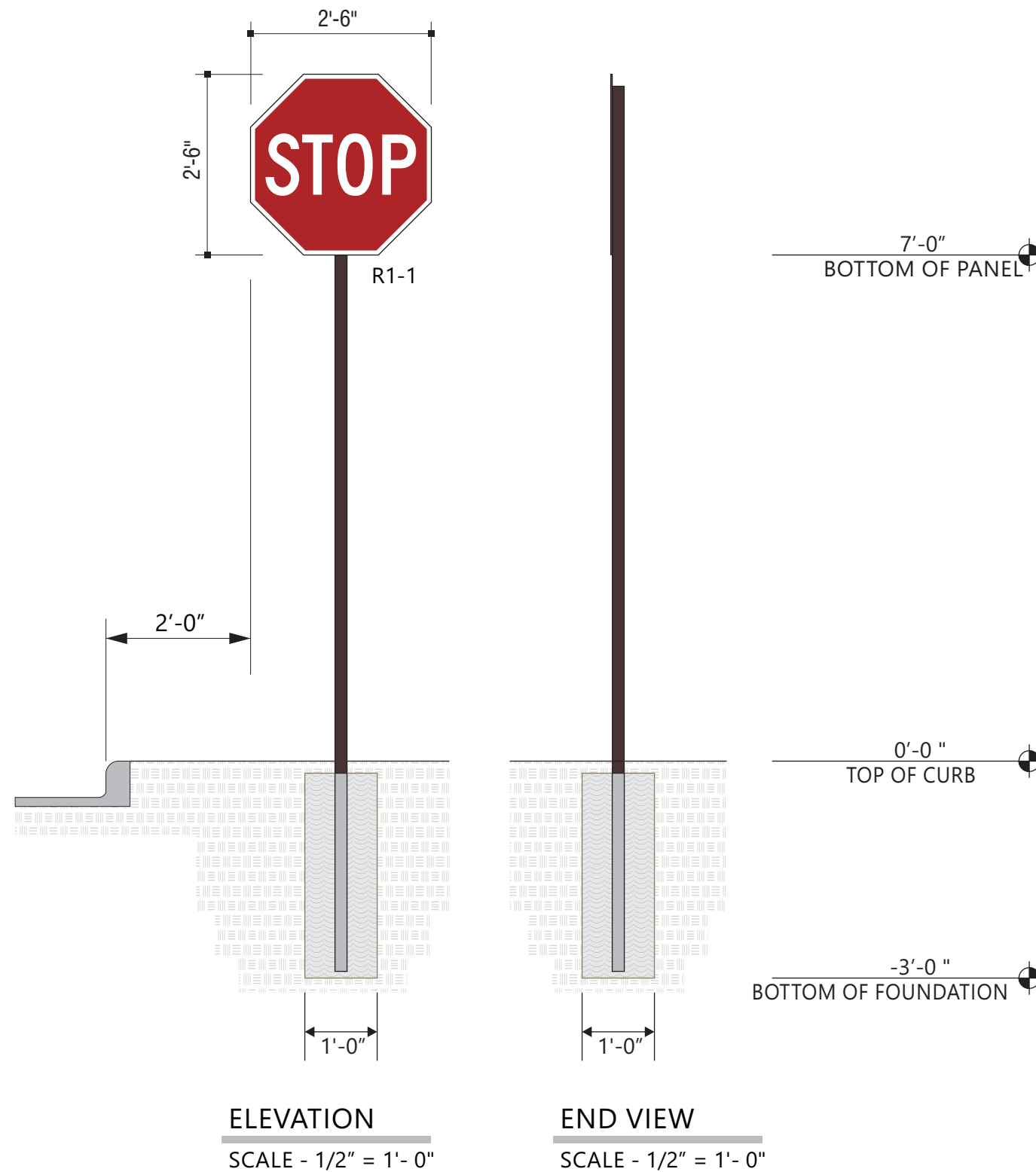
**SIGN PANEL**  
3M #680-82 REFLECTIVE RED.



**SIGN PANEL**  
3M #680-10 REFLECTIVE WHITE



**BACK OF SIGN PANEL AND POST**  
MP 20181 DARK BRONZE  
SW #DDM460012



5198 North Lake Drive  
Lake City, GA 30260  
404.361.3800  
www.claytonsigns.com

DOT REGULATORY TRAFFIC SIGNS

DRAWING FILE - CFA - PLAINFIELD, IN SIGNAGE.CDR

ALL ELECTRICAL  
SIGNS ARE  
120 VOLTS  
UNLESS  
OTHERWISE INDICATED

DRAWN BY Ben Holliday  
ACCOUNT REP. Ben Holliday  
DRAWING DATE December 2, 2022  
REVISION DATE December 2, 2022

| STORE NUMBER | STORE ADDRESS   |
|--------------|---|
| L05219       | Chick-fil-A at Plainfield, IN<br>6102 Cambridge Way<br>Plainfield, IN 46168 |

THIS DRAWING IS AN ORIGINAL, UNPUBLISHED DESIGN CREATED BY CLAYTON SIGNS, INC. IT IS NOT TO BE REPRODUCED, CHANGED, OR EXHIBITED TO ANYONE OUTSIDE OF YOUR COMPANY IN WHOLE OR IN PART WITHOUT WRITTEN PERMISSION FROM THE OWNER OF CLAYTON SIGNS, INC. ANY SUCH ACTIONS MAY BE SUBJECT TO LEGAL ACTION IN A COURT OF LAW.  
©2022 ALL RIGHTS RESERVED

LOCATION  
**M**

# SPECIFICATIONS

## SIGN PANELS

PANELS ARE .080 ALUMINUM WITH REFLECTIVE BACKGROUND AND GRAPHICS.

## SIGN POSTS

POSTS ARE 2" x 2" SQUARE ALUMINUM TUBING CAPPED ON TOP



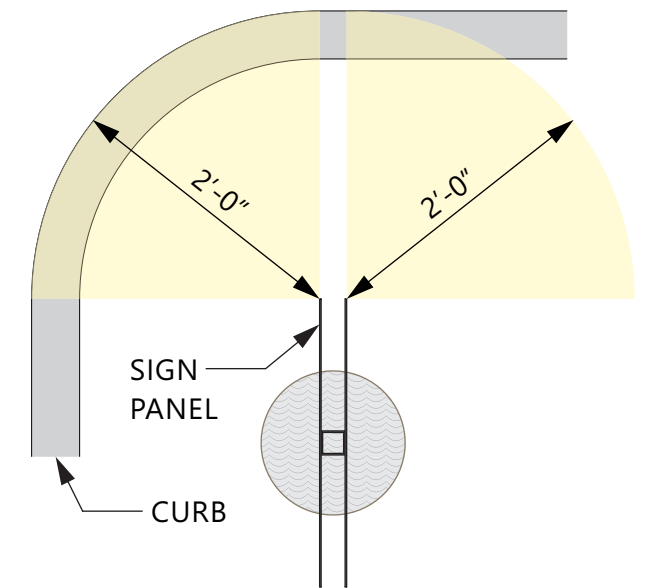
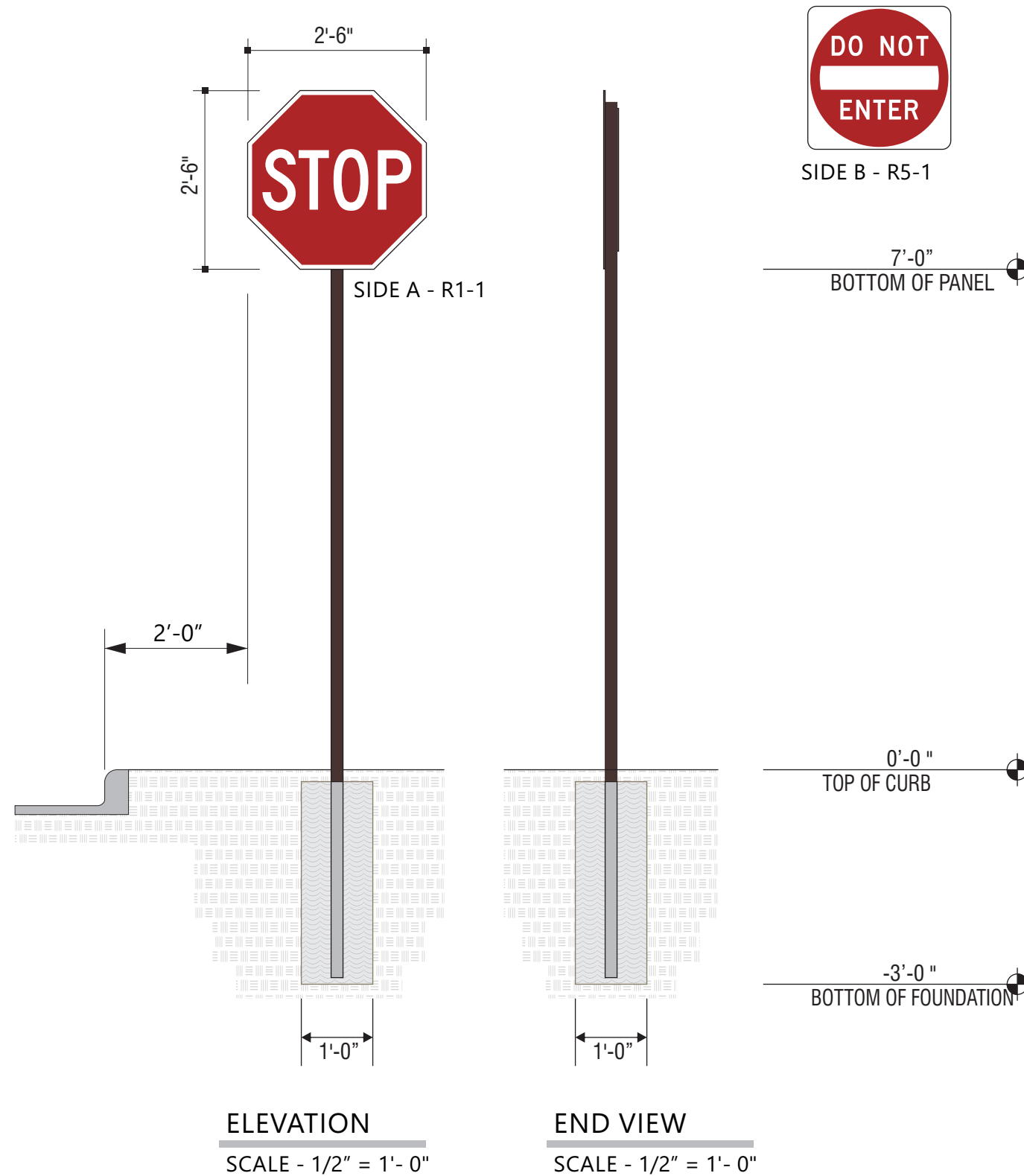
**SIGN PANEL**  
3M #680-82 REFLECTIVE RED.



**SIGN PANEL**  
3M #680-10 REFLECTIVE WHITE



**BACK OF SIGN PANEL AND POST**  
MP 20181 DARK BRONZE  
SW #DDM460012



5198 North Lake Drive  
Lake City, GA 30260  
404.361.3800  
www.claytonsigns.com

DOT REGULATORY TRAFFIC SIGNS

DRAWING FILE - CFA - PLAINFIELD, IN SIGNAGE.CDR

ALL ELECTRICAL  
SIGNS ARE  
120 VOLTS  
UNLESS  
OTHERWISE INDICATED

DRAWN BY Ben Holliday  
ACCOUNT REP. Ben Holliday  
DRAWING DATE December 2, 2022  
REVISION DATE December 2, 2022

| STORE NUMBER | STORE ADDRESS   |
|--------------|---|
| L05219       | Chick-fil-A at Plainfield, IN<br>6102 Cambridge Way<br>Plainfield, IN 46168 |

THIS DRAWING IS AN ORIGINAL, UNPUBLISHED DESIGN CREATED BY CLAYTON SIGNS, INC. IT IS NOT TO BE REPRODUCED, CHANGED, OR EXHIBITED TO ANYONE OUTSIDE OF YOUR COMPANY IN WHOLE OR IN PART WITHOUT WRITTEN PERMISSION FROM THE OWNER OF CLAYTON SIGNS, INC. ANY SUCH ACTIONS MAY BE SUBJECT TO LEGAL ACTION IN A COURT OF LAW.  
©2022 ALL RIGHTS RESERVED

LOCATION  
N

# SPECIFICATIONS

## SIGN PANELS

PANELS ARE .080 ALUMINUM WITH REFLECTIVE BACKGROUND AND GRAPHICS.

## SIGN POSTS

POSTS ARE 2" x 2" SQUARE ALUMINUM TUBING CAPPED ON TOP



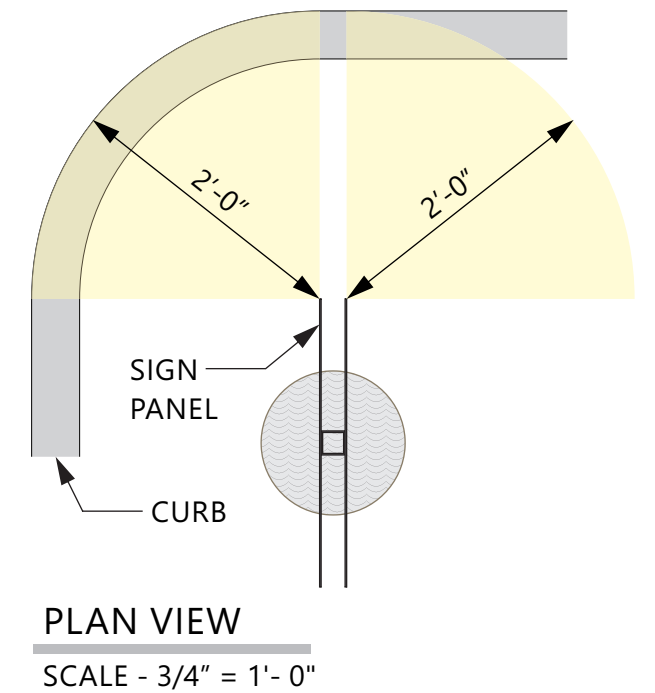
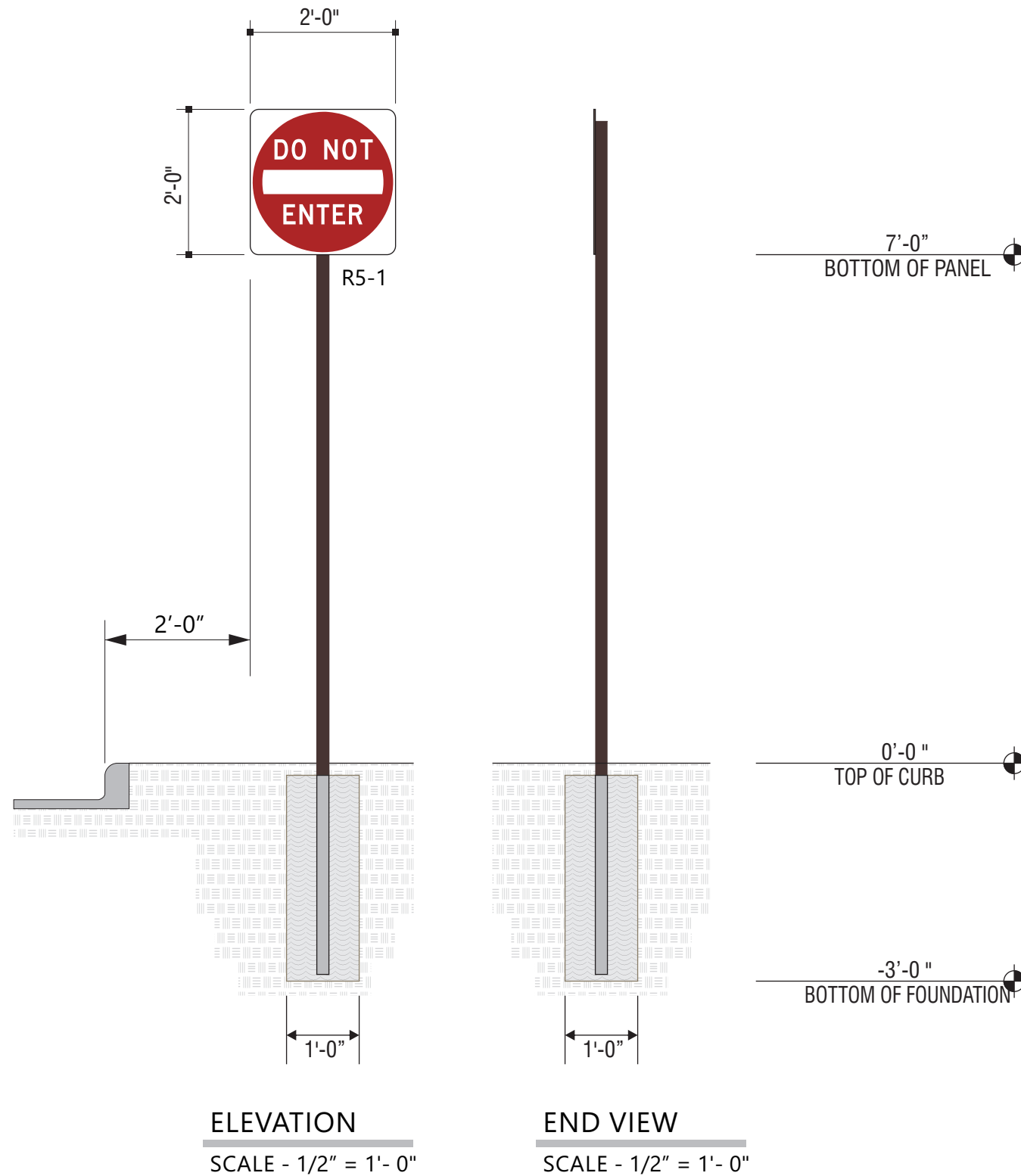
**SIGN PANEL**  
3M #680-82 REFLECTIVE RED.



**SIGN PANEL**  
3M #680-10 REFLECTIVE WHITE



**BACK OF SIGN PANEL AND POST**  
MP 20181 DARK BRONZE  
SW #DDM460012



5198 North Lake Drive  
Lake City, GA 30260  
404.361.3800  
www.claytonsigns.com

DOT REGULATORY TRAFFIC SIGNS

DRAWING FILE - CFA - PLAINFIELD, IN SIGNAGE.CDR

ALL ELECTRICAL  
SIGNS ARE  
120 VOLTS  
UNLESS  
OTHERWISE INDICATED

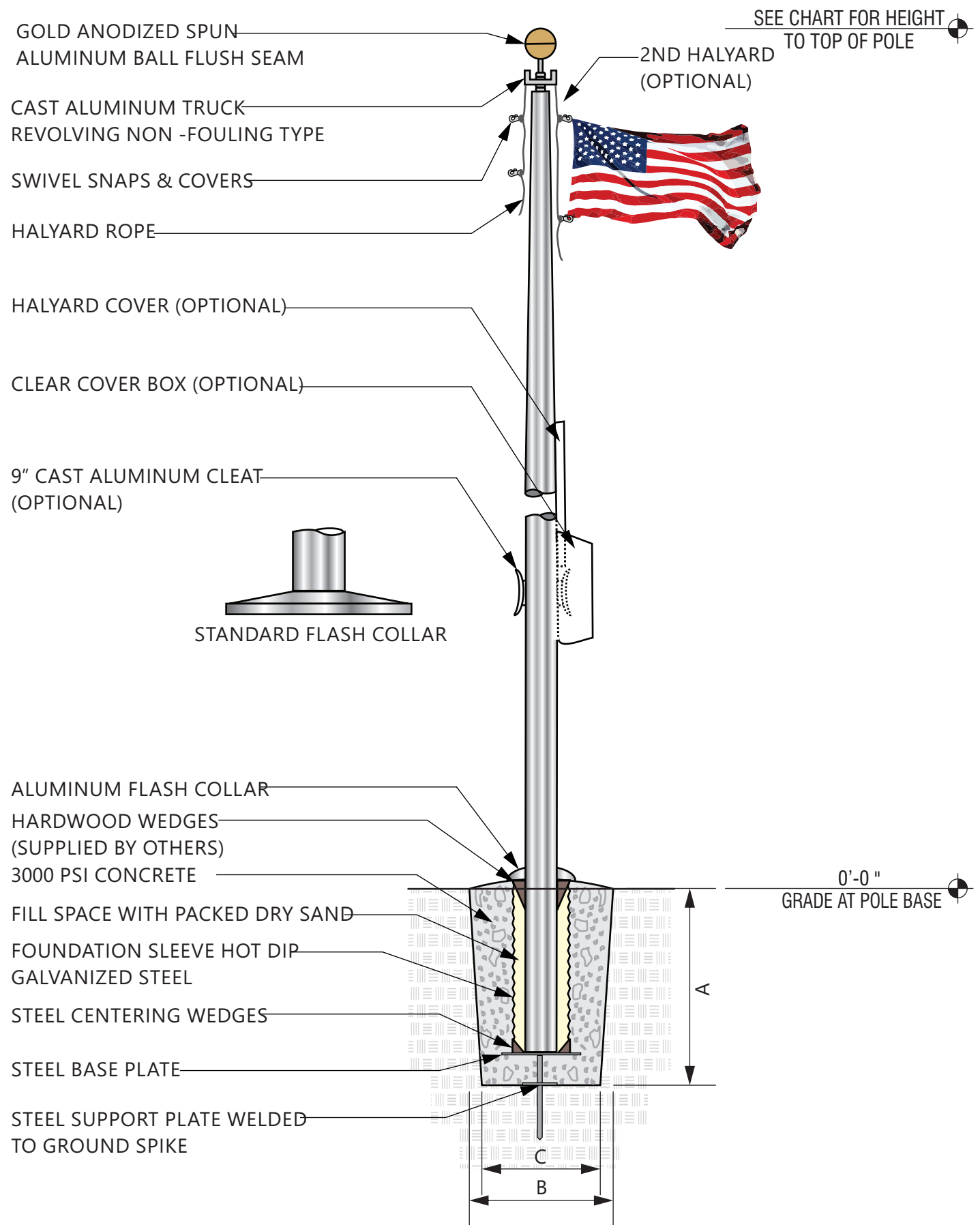
DRAWN BY Ben Holliday  
ACCOUNT REP. Ben Holliday  
DRAWING DATE December 2, 2022  
REVISION DATE December 2, 2022

| STORE NUMBER | STORE ADDRESS   |
|--------------|---|
| L05219       | Chick-fil-A at Plainfield, IN<br>6102 Cambridge Way<br>Plainfield, IN 46168 |

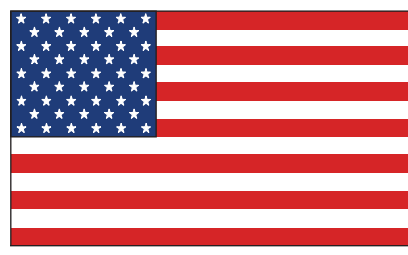
THIS DRAWING IS AN ORIGINAL, UNPUBLISHED DESIGN CREATED BY CLAYTON SIGNS, INC. IT IS NOT TO BE REPRODUCED, CHANGED, OR EXHIBITED TO ANYONE OUTSIDE OF YOUR COMPANY IN WHOLE OR IN PART WITHOUT WRITTEN PERMISSION FROM THE OWNER OF CLAYTON SIGNS, INC. ANY SUCH ACTIONS MAY BE SUBJECT TO LEGAL ACTION IN A COURT OF LAW.  
©2022 ALL RIGHTS RESERVED

LOCATION





SEE CHART FOR HEIGHT TO TOP OF POLE



### FLAG SIZES

| POLE | A     | B     | MATERIAL   |
|------|-------|-------|------------|
| 20'  | 3'0"  | 5'0"  | POLYESTHER |
| 25'  | 4'0"  | 6'0"  | POLYESTHER |
| 30'  | 5'0"  | 8'0"  | POLYESTHER |
| 35'  | 6'0"  | 10'0" | POLYESTHER |
| 40'  | 8'0"  | 12'0" | POLYESTHER |
| 45'  | 8'0"  | 12'0" | POLYESTHER |
| 50'  | 12'0" | 18'0" | POLYESTHER |

### FOUNDATION SIZES

| HEIGHT | A    | B   | C   |
|--------|------|-----|-----|
| 20'    | 3'6" | 30" | 24" |
| 25'    | 3'6" | 30" | 24" |
| 30'    | 3'6" | 30" | 24" |
| 35'    | 4'0" | 36" | 30" |
| 40'    | 4'6" | 42" | 36" |
| 45'    | 5'0" | 48" | 42" |
| 50'    | 5'6" | 48" | 42" |

**GROUND SLEEVE AND CONCRETE INSTALLED BY THE GENERAL CONTRACTOR  
POLE INSTALLED ON PRE-INSTALLED GROUND SLEEVE BY SIGN CONTRACTOR**



5198 North Lake Drive  
Lake City, GA 30260  
404.361.3800  
www.claytonsigns.com

### FLAG POLE

DRAWING FILE - CFA - PLAINFIELD, IN SIGNAGE.CDR

ALL ELECTRICAL SIGNS ARE 120 VOLTS UNLESS OTHERWISE INDICATED

DRAWN BY Ben Holliday  
ACCOUNT REP. Ben Holliday  
DRAWING DATE December 2, 2022  
REVISION DATE December 2, 2022

| STORE NUMBER | STORE ADDRESS   |
|--------------|---|
| L05219       | Chick-fil-A at Plainfield, IN<br>6102 Cambridge Way<br>Plainfield, IN 46168 |

THIS DRAWING IS AN ORIGINAL, UNPUBLISHED DESIGN CREATED BY CLAYTON SIGNS, INC. IT IS NOT TO BE REPRODUCED, CHANGED, OR EXHIBITED TO ANYONE OUTSIDE OF YOUR COMPANY IN WHOLE OR IN PART WITHOUT WRITTEN PERMISSION FROM THE OWNER OF CLAYTON SIGNS, INC. ANY SUCH ACTIONS MAY BE SUBJECT TO LEGAL ACTION IN A COURT OF LAW.  
©2022 ALL RIGHTS RESERVED


LOCATION  
**FP**

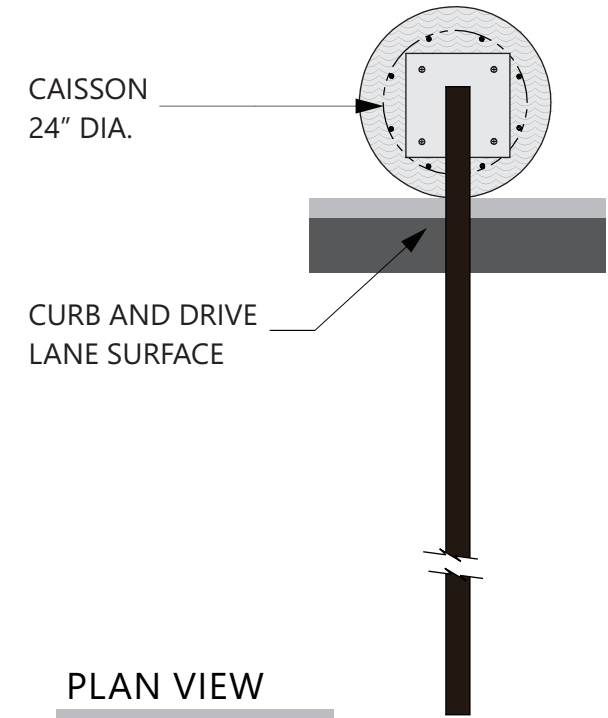
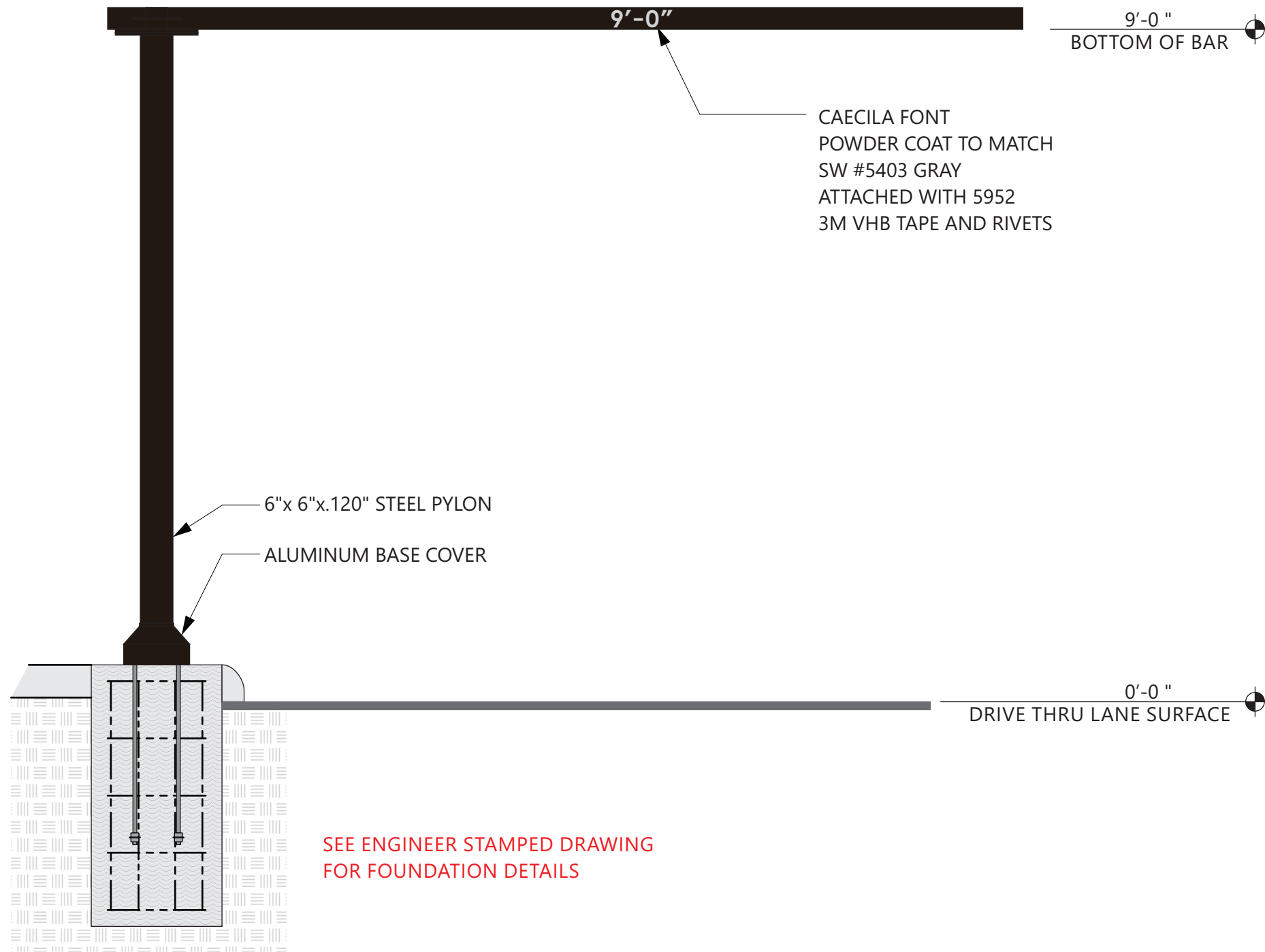
**SPECIFICATIONS**

CLEARANCE BAR

**COLORS**

  
MATTE BLACK TEXTURED

  
SHERWIN WILLIAMS  
SW 5403 GRAY



**PLAN VIEW**  
SCALE - 1/2" = 1'- 0"



5198 North Lake Drive  
Lake City, GA 30260  
404.361.3800  
www.claytonsigns.com

**DRIVE-THRU  
CLEARANCE BAR**

DRAWING FILE - CFA - PLAINFIELD, IN SIGNAGE.CDR

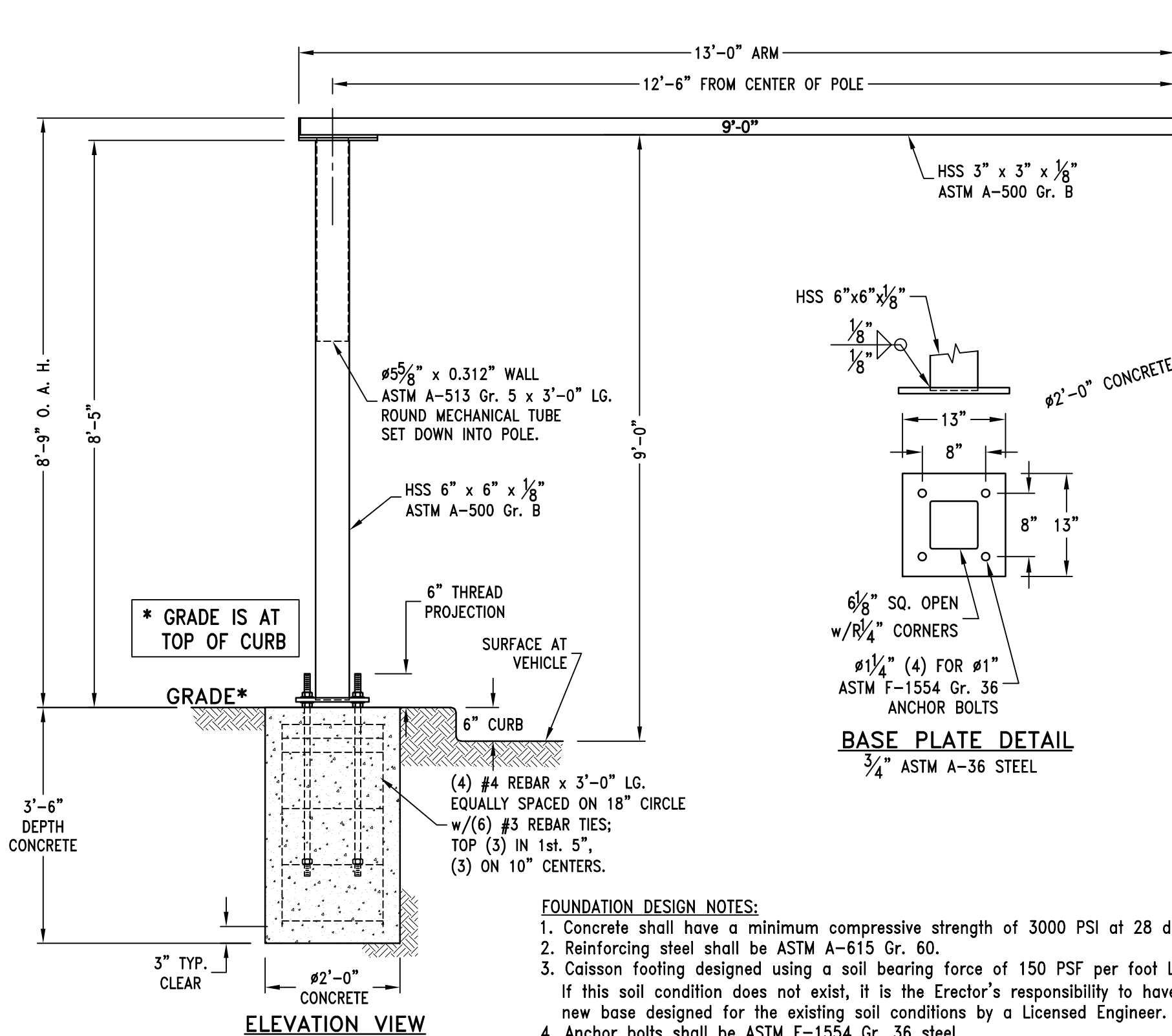
ALL ELECTRICAL  
SIGNS ARE  
120 VOLTS  
UNLESS  
OTHERWISE INDICATED

DRAWN BY Ben Holliday  
ACCOUNT REP. Ben Holliday  
DRAWING DATE December 2, 2022  
REVISION DATE December 2, 2022

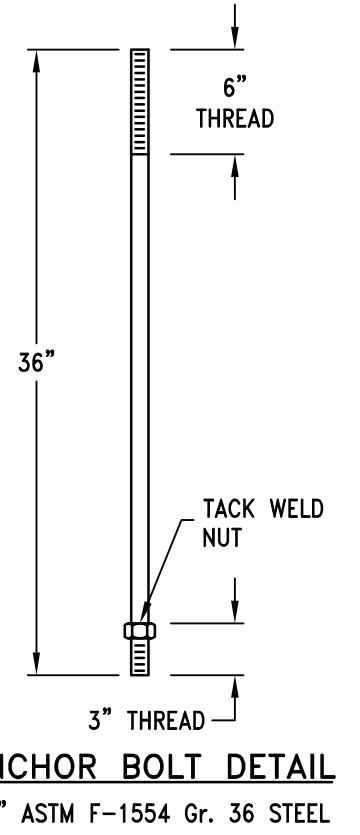
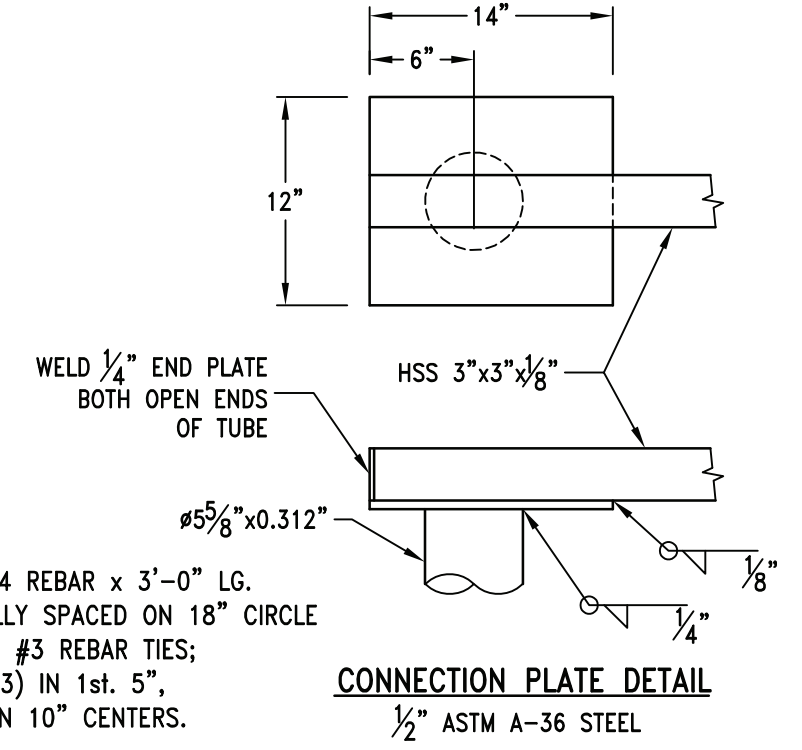
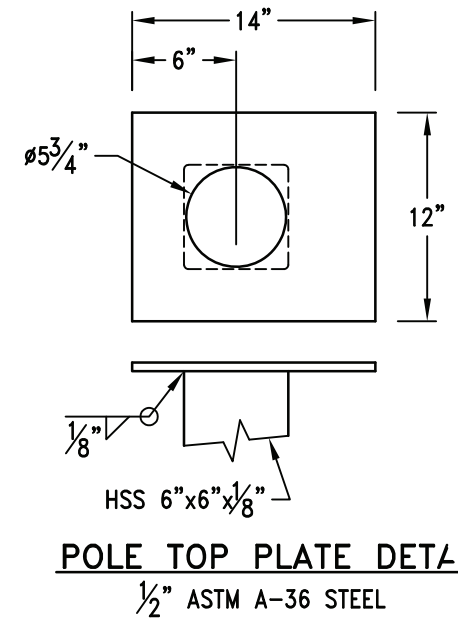
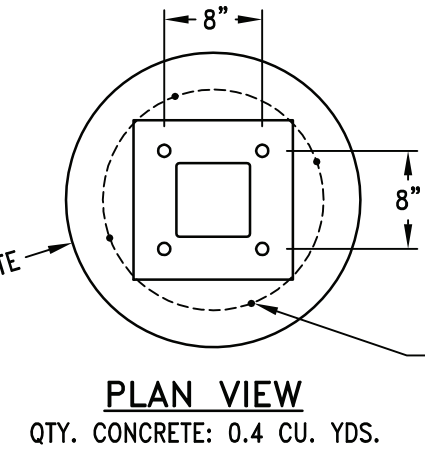
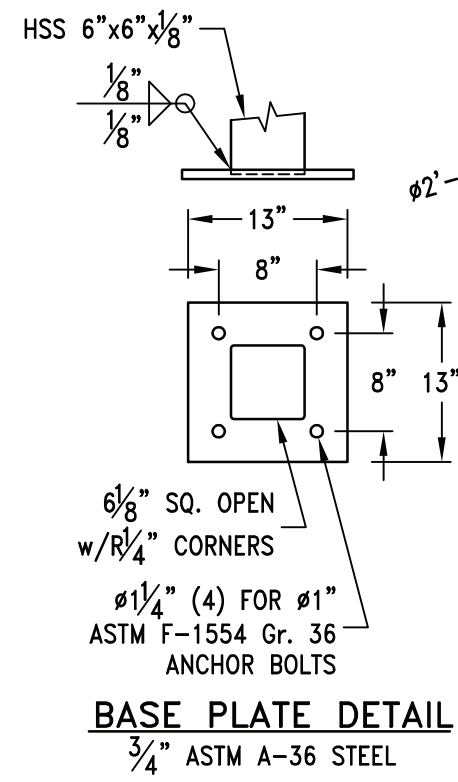
| STORE NUMBER | STORE ADDRESS   |
|--------------|---|
| L05219       | Chick-fil-A at Plainfield, IN<br>6102 Cambridge Way<br>Plainfield, IN 46168 |

THIS DRAWING IS AN ORIGINAL, UNPUBLISHED DESIGN CREATED BY CLAYTON SIGNS, INC. IT IS NOT TO BE REPRODUCED, CHANGED, OR EXHIBITED TO ANYONE OUTSIDE OF YOUR COMPANY IN WHOLE OR IN PART WITHOUT WRITTEN PERMISSION FROM THE OWNER OF CLAYTON SIGNS, INC. ANY SUCH ACTIONS MAY BE SUBJECT TO LEGAL ACTION IN A COURT OF LAW.  
©2022 ALL RIGHTS RESERVED

**LOCATION  
CB-1**



- FOUNDATION DESIGN NOTES:**
1. Concrete shall have a minimum compressive strength of 3000 PSI at 28 days.
  2. Reinforcing steel shall be ASTM A-615 Gr. 60.
  3. Caisson footing designed using a soil bearing force of 150 PSF per foot Lateral. If this soil condition does not exist, it is the Erector's responsibility to have a new base designed for the existing soil conditions by a Licensed Engineer.
  4. Anchor bolts shall be ASTM F-1554 Gr. 36 steel.



5198 North Lake Drive  
Lake City, GA 30260  
404.361.3800  
www.claytonsigns.com

**DRIVE-THRU  
CLEARANCE BAR**

DRAWING FILE - CFA - PLAINFIELD, IN SIGNAGE.CDR

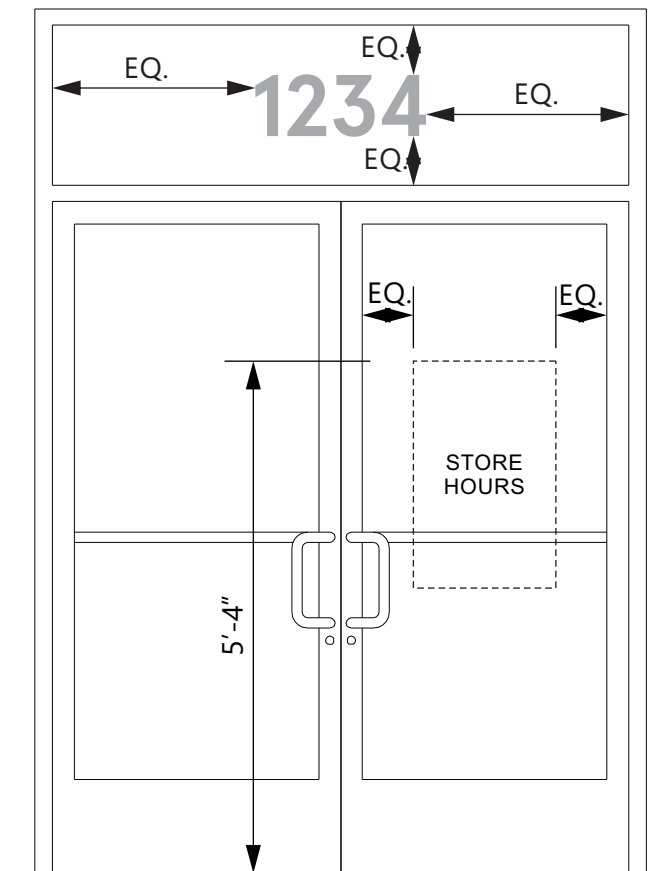
ALL ELECTRICAL  
SIGNS ARE  
120 VOLTS  
UNLESS  
OTHERWISE INDICATED

DRAWN BY Ben Holliday  
ACCOUNT REP. Ben Holliday  
DRAWING DATE December 2, 2022  
REVISION DATE December 2, 2022

| STORE NUMBER | STORE ADDRESS   |
|--------------|---|
| L05219       | Chick-fil-A at Plainfield, IN<br>6102 Cambridge Way<br>Plainfield, IN 46168 |

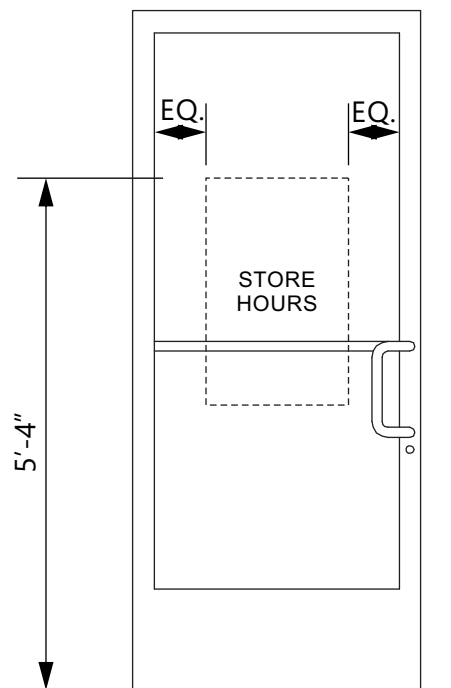
THIS DRAWING IS AN ORIGINAL, UNPUBLISHED DESIGN CREATED BY CLAYTON SIGNS, INC. IT IS NOT TO BE REPRODUCED, CHANGED, OR EXHIBITED TO ANYONE OUTSIDE OF YOUR COMPANY IN WHOLE OR IN PART WITHOUT WRITTEN PERMISSION FROM THE OWNER OF CLAYTON SIGNS, INC. ANY SUCH ACTIONS MAY BE SUBJECT TO LEGAL ACTION IN A COURT OF LAW.  
©2022 ALL RIGHTS RESERVED

**LOCATION  
CB-1**



**ELEVATION**

SCALE - 1/2" = 1'- 0"



**ELEVATION**

SCALE - 1/2" = 1'- 0"



**ELEVATION**

SCALE - 1 1/2" = 1'- 0"

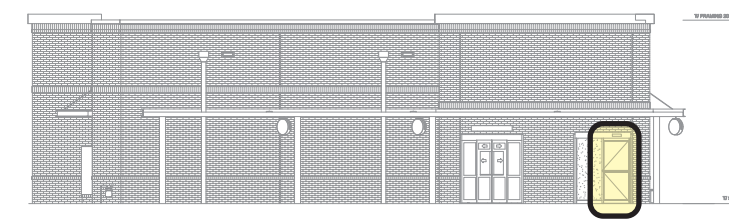
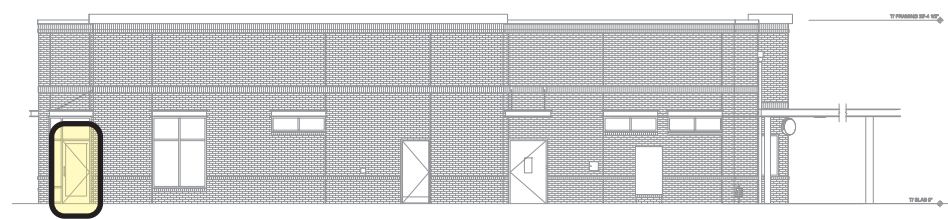
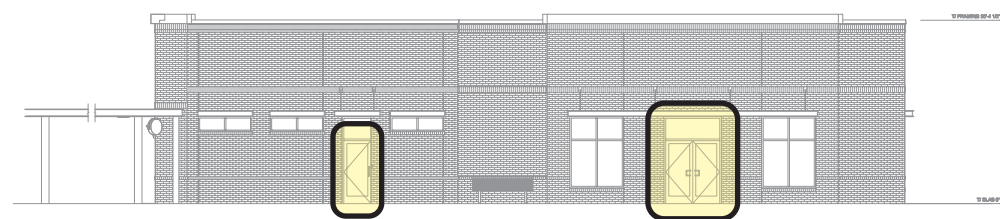


8" TALL ADDRESS NUMBERS ARE 3M #7725-10 OPAQUE WHITE VINYL FILM APPLIED TO EXTERIOR SURFACE OF GLASS. (SHOWN IN GREY FOR ILLUSTRATION)  
APERCU BOLD FONT

**VERIFY ADDRESS BEFORE MAKING NUMBERS**

**ELEVATION**  
NOT TO SCALE

LETTERING IS 3M #7725-10 OPAQUE WHITE VINYL FILM (SHOWN IN GREY FOR ILLUSTRATION)  
CREDIT CARD LOGOS ARE INDIVIDUAL PRINTED DECALS ON CLEAR FILM. ALL GRAPHICS ARE APPLIED TO EXTERIOR SURFACE OF GLASS. STORE HOURS MAY BE DIFFERENT PER STORE.  
SUNDAY HAS RED VINYL FILM STRIKE THROUGH ON IT.  
**PROVIDE EXTRA 6:00 PER EACH SET.**



5198 North Lake Drive  
Lake City, GA 30260  
404.361.3800  
www.claytonsigns.com

**WINDOW GRAPHICS**

DRAWING FILE - CFA - PLAINFIELD, IN SIGNAGE.CDR

ALL ELECTRICAL SIGNS ARE 120 VOLTS UNLESS OTHERWISE INDICATED

DRAWN BY Ben Holliday  
ACCOUNT REP. Ben Holliday  
DRAWING DATE December 2, 2022  
REVISION DATE December 2, 2022

| STORE NUMBER | STORE ADDRESS   |
|--------------|---|
| L05219       | Chick-fil-A at Plainfield, IN<br>6102 Cambridge Way<br>Plainfield, IN 46168 |

THIS DRAWING IS AN ORIGINAL, UNPUBLISHED DESIGN CREATED BY CLAYTON SIGNS, INC. IT IS NOT TO BE REPRODUCED, CHANGED, OR EXHIBITED TO ANYONE OUTSIDE OF YOUR COMPANY IN WHOLE OR IN PART WITHOUT WRITTEN PERMISSION FROM THE OWNER OF CLAYTON SIGNS, INC. ANY SUCH ACTIONS MAY BE SUBJECT TO LEGAL ACTION IN A COURT OF LAW.  
©2022 ALL RIGHTS RESERVED