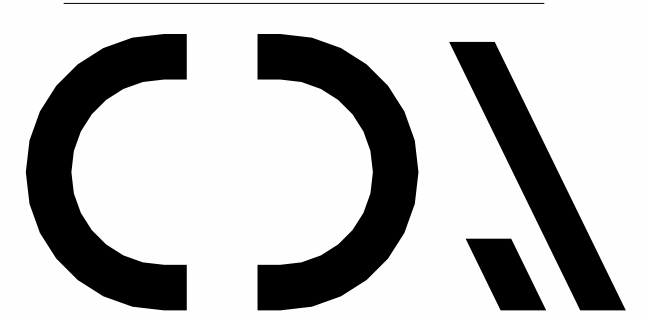




Chick-fil-A

Chick-fil-A  
5200 Buffington Road  
Atlanta, Georgia  
30349-2998



CHIPMAN DESIGN  
ARCHITECTURE INC  
1350 E TOUHY AVE  
FIRST FLOOR EAST  
DES PLAINES, IL 60018  
TEL : 847.298.6900

I HEREBY CERTIFY THAT THESE PLANS HAVE BEEN PREPARED UNDER MY SUPERVISION AND THAT TO THE BEST OF MY KNOWLEDGE, THEY COMPLY WITH ALL RULES, REGULATIONS AND ORDINANCES OF PARISH, IN RELATION TO STRUCTURES AND BUILDINGS.

**CHICK-FIL-A**  
I-70 & SR 267 FSU  
6102 Cambridge Way  
Plainfield, IN 46168

**FSR#05219**  
BUILDING TYPE / SIZE: P14 SE LRG  
RELEASE: 22.08

REVISION SCHEDULE		
NO.	DATE	DESCRIPTION

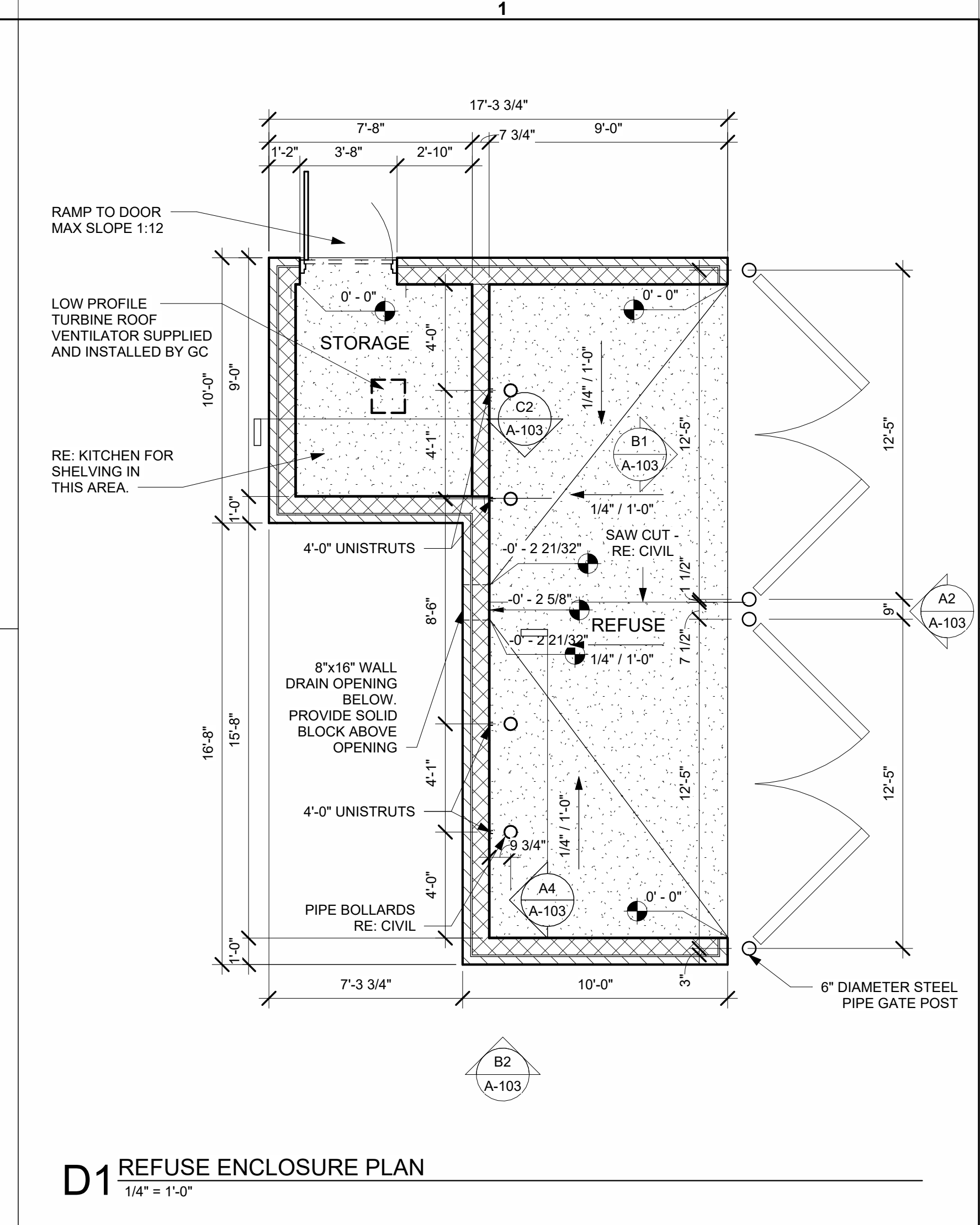
**PRELIMINARY**

CONSULTANT PROJECT #	22-2319.00
PRINTED FOR	PRELIMINARY
DATE	04/13/23
DRAWN BY	CB
CHECKED BY	Checker

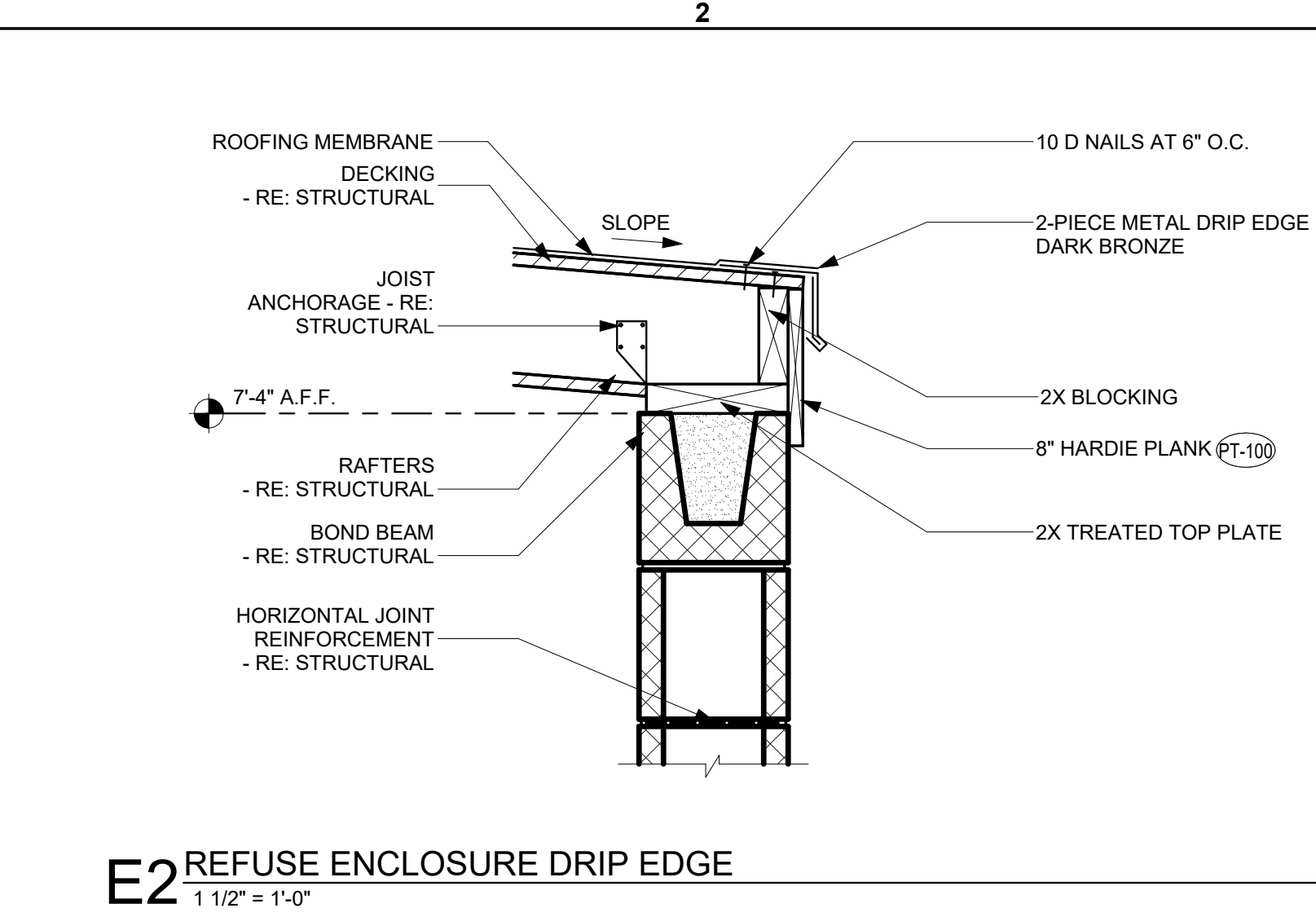
Information contained on this drawing and in all digital files produced for above named project may not be reproduced in any manner without express written or verbal consent from authorized project representatives.

SHEET  
REFUSE ENCLOSURE

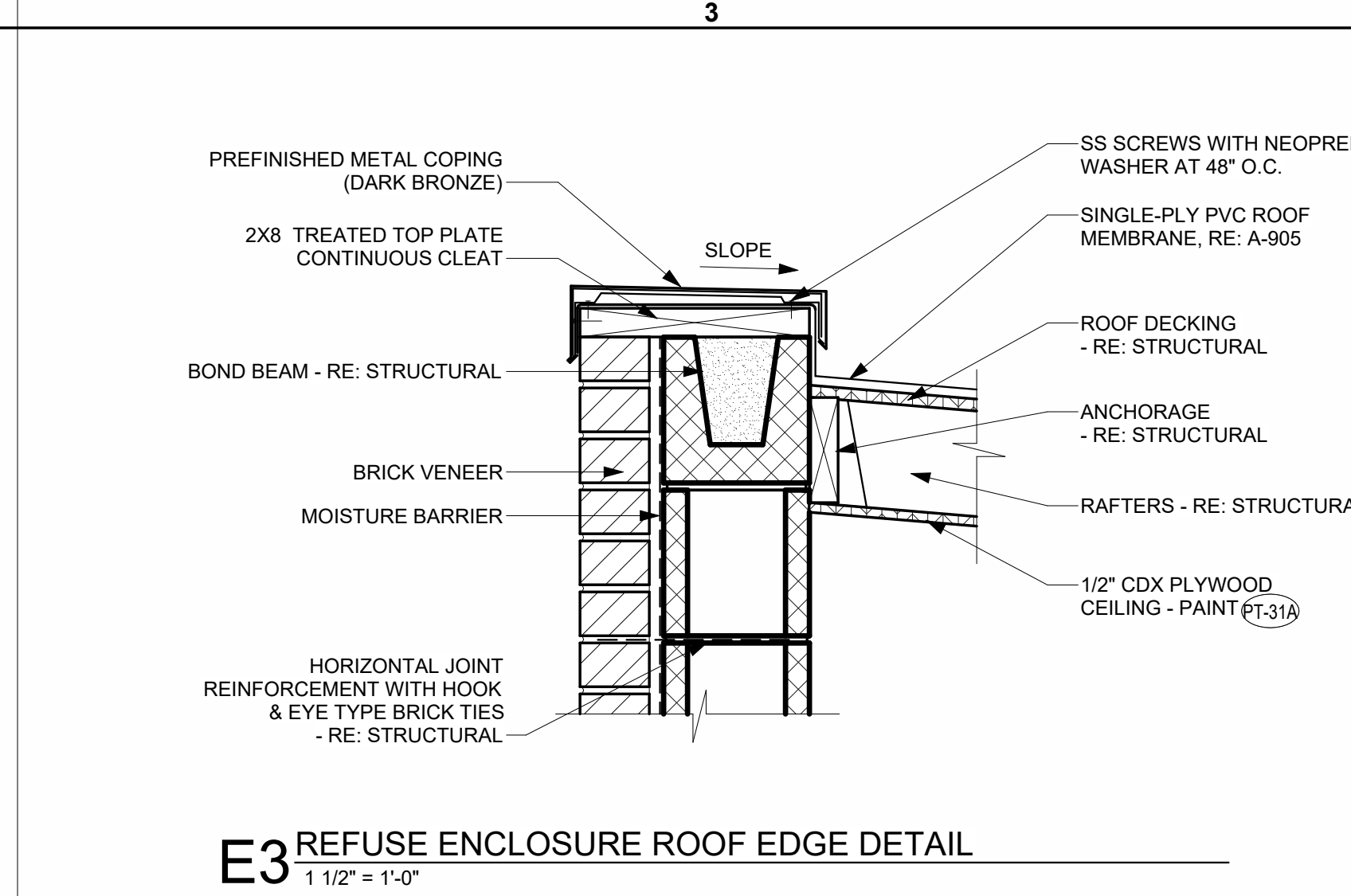
SHEET NUMBER  
**A-103**



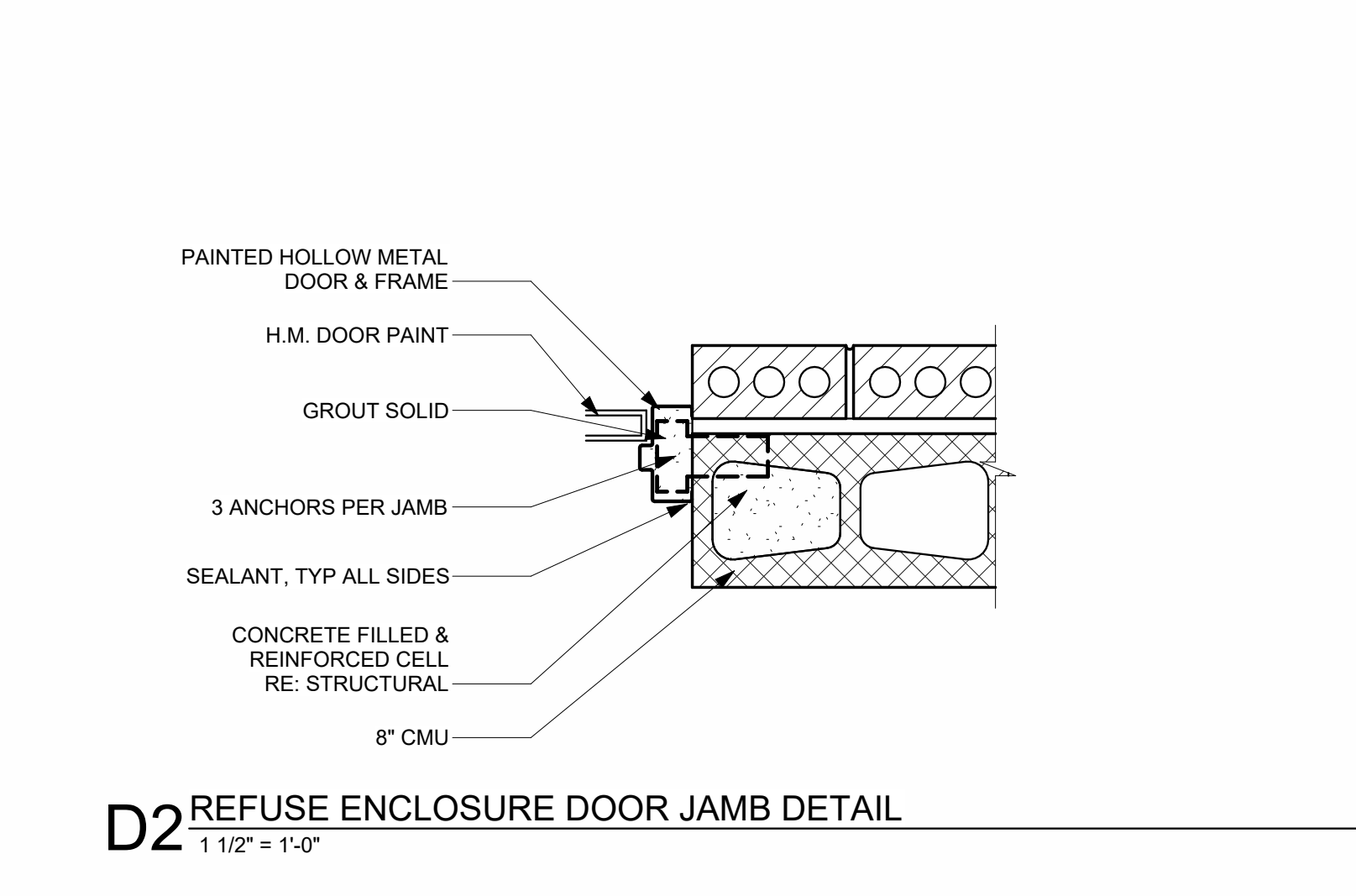
**D1 REFUSE ENCLOSURE PLAN**  
1/4" = 1'-0"



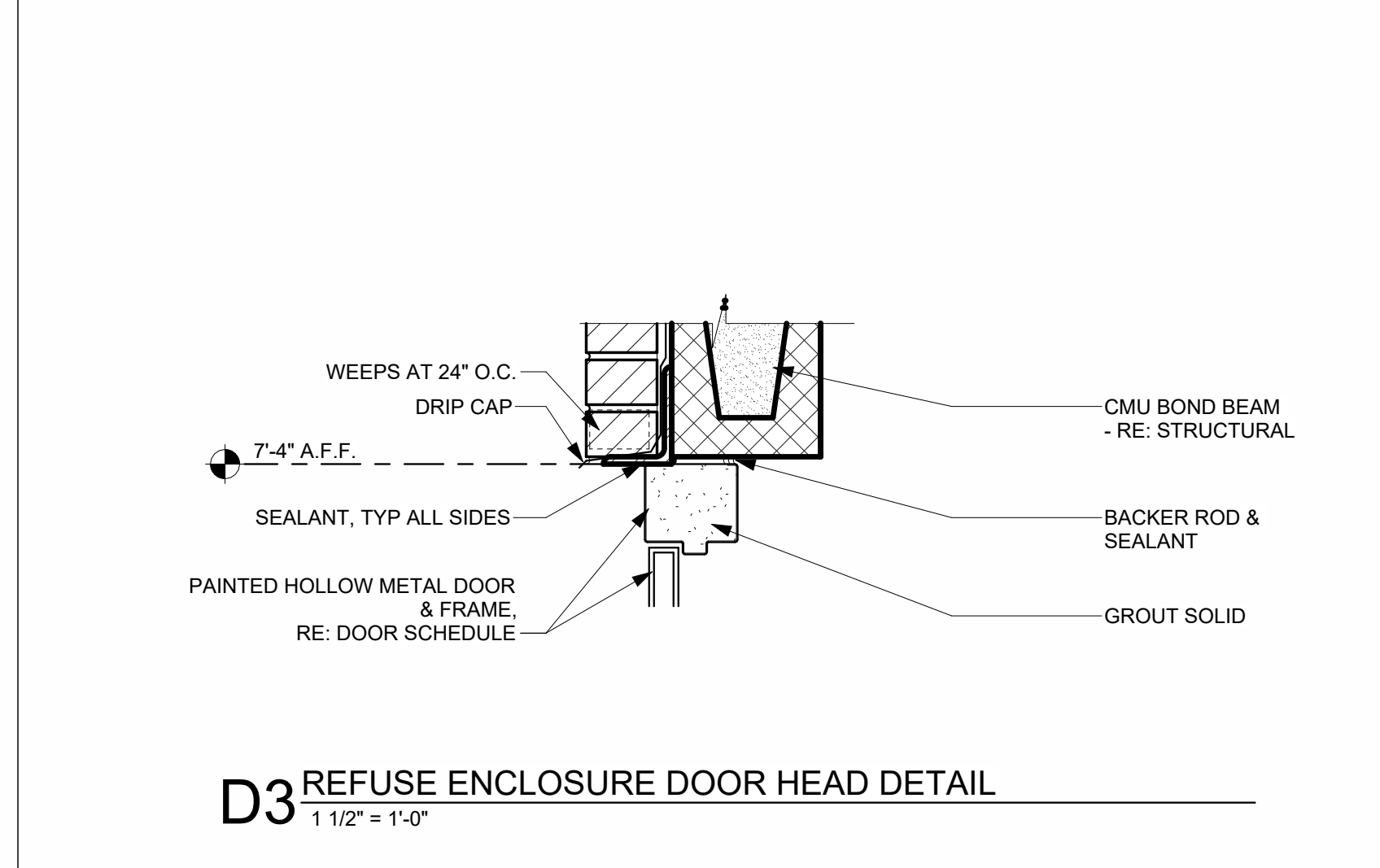
**E2 REFUSE ENCLOSURE DRIP EDGE**  
1 1/2" = 1'-0"



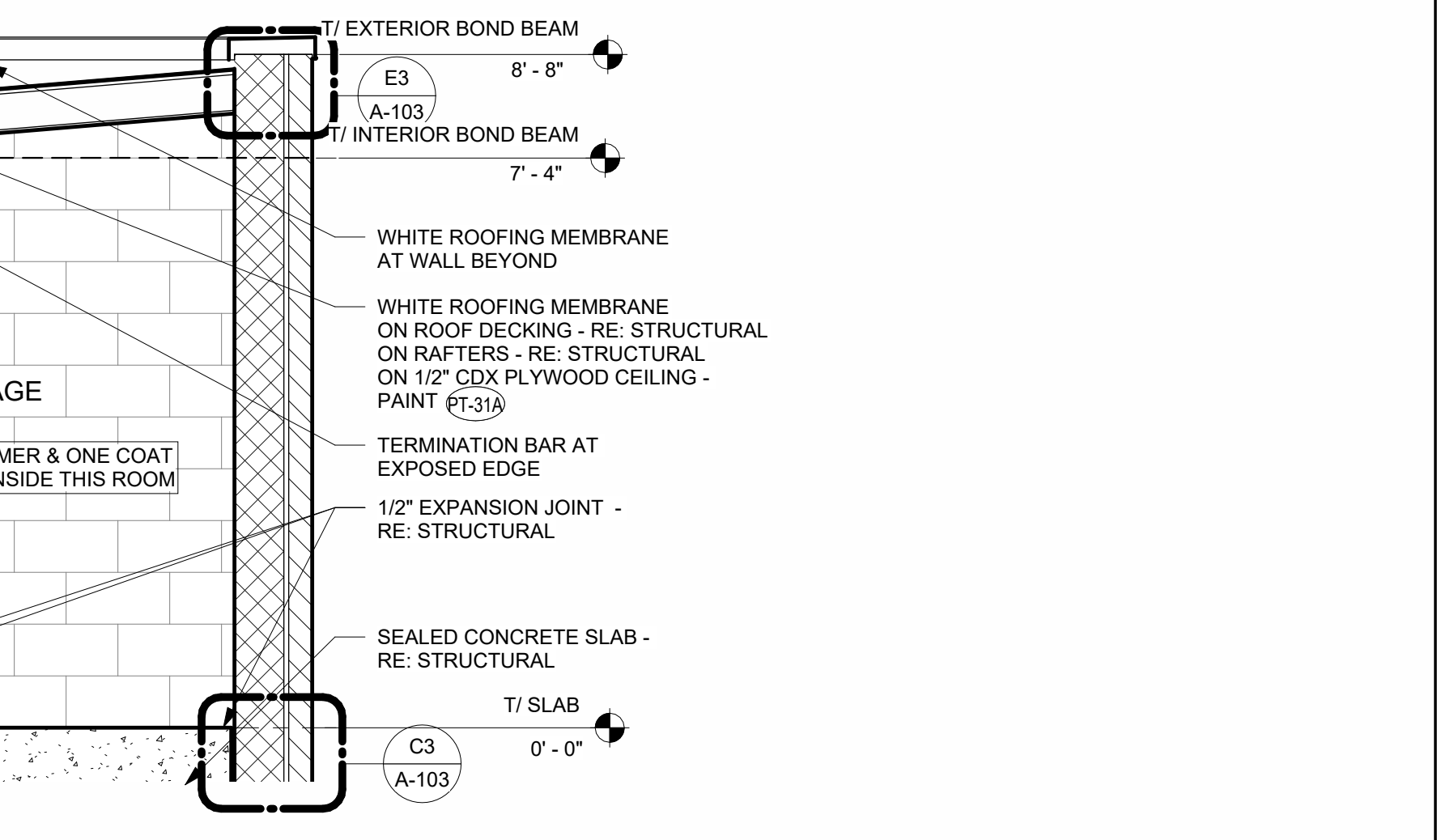
**E3 REFUSE ENCLOSURE ROOF EDGE DETAIL**  
1 1/2" = 1'-0"



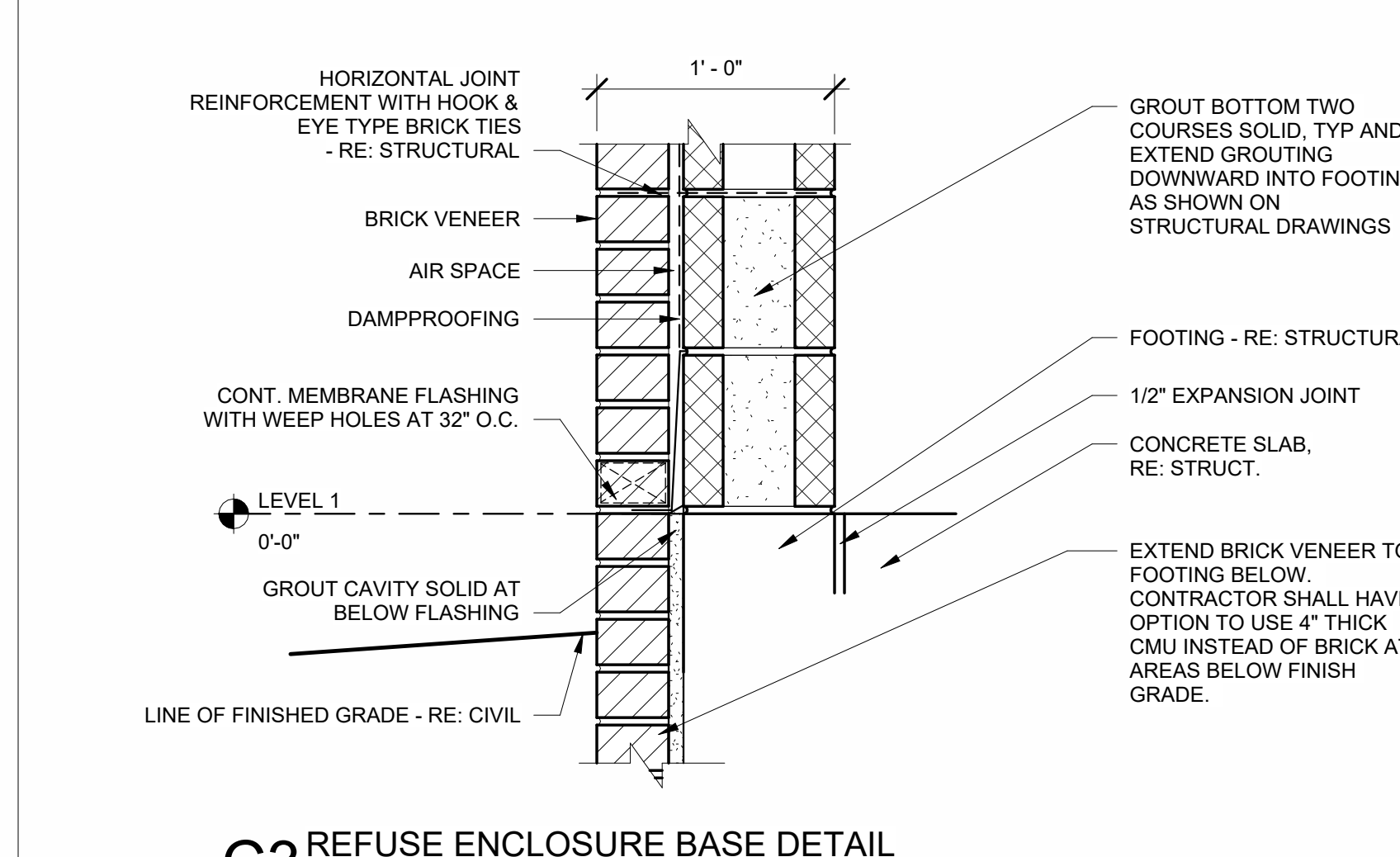
**D2 REFUSE ENCLOSURE DOOR JAMB DETAIL**  
1 1/2" = 1'-0"



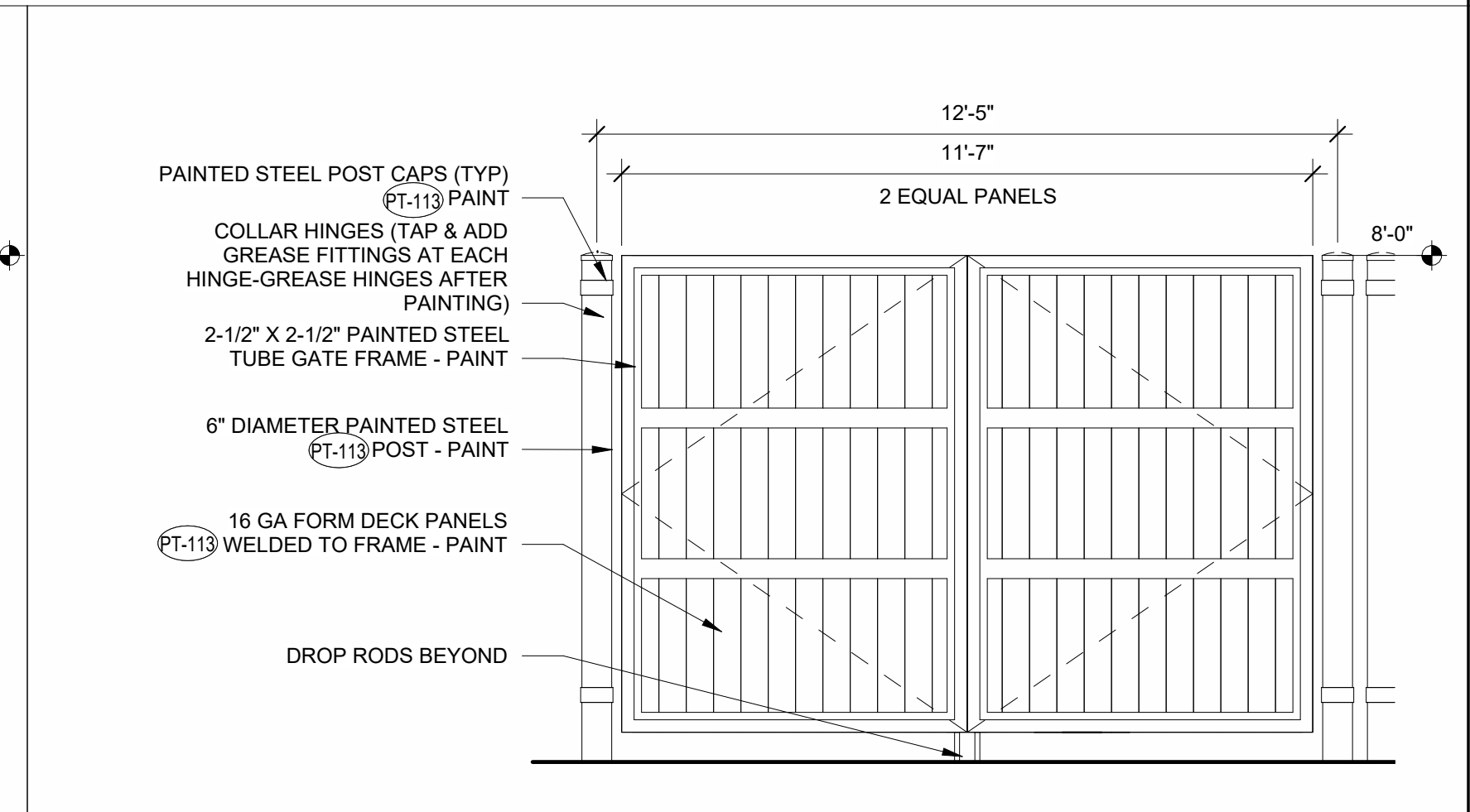
**D3 REFUSE ENCLOSURE DOOR HEAD DETAIL**  
1 1/2" = 1'-0"



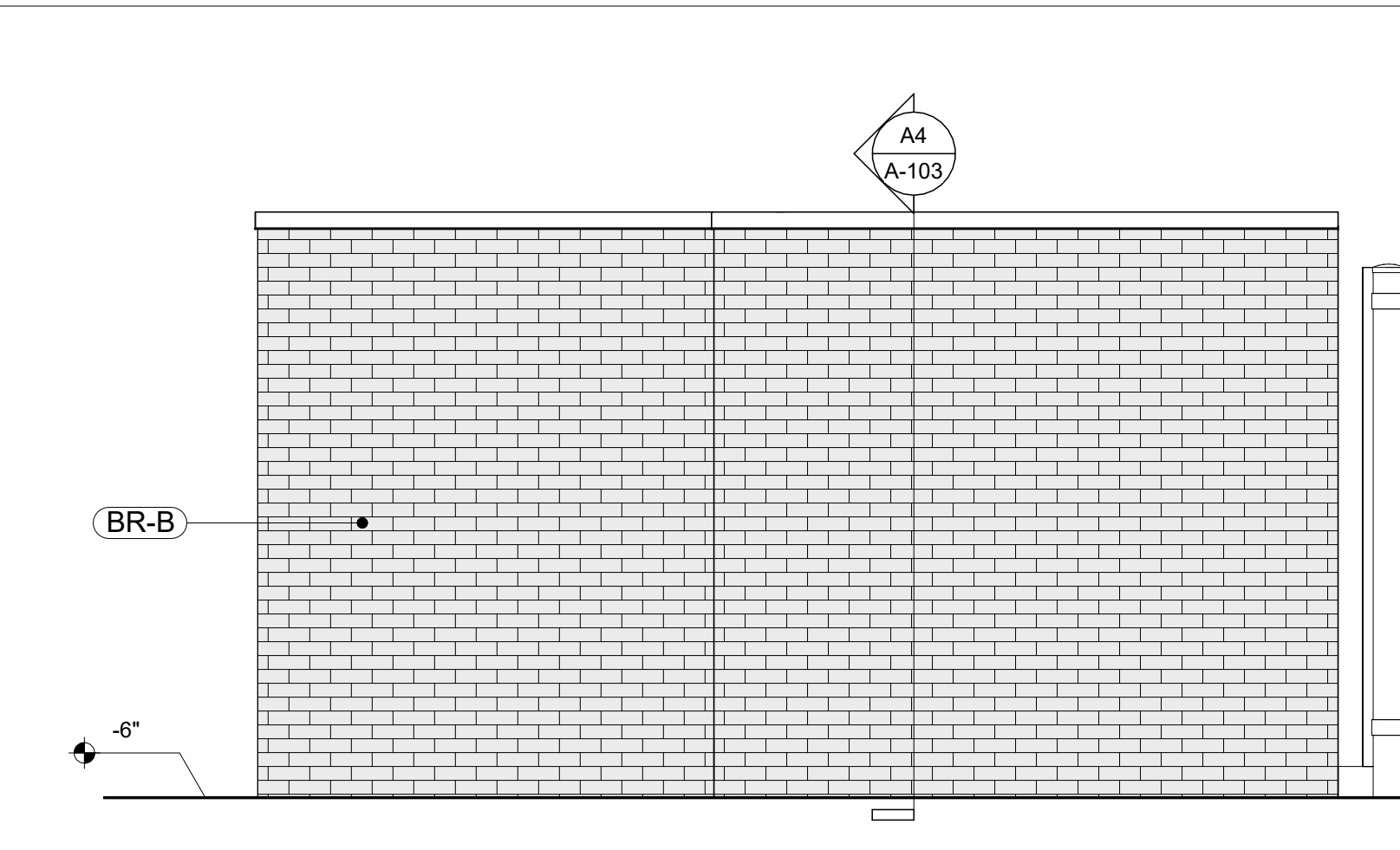
**C2 REFUSE ENCLOSURE SECTION**  
1/2" = 1'-0"



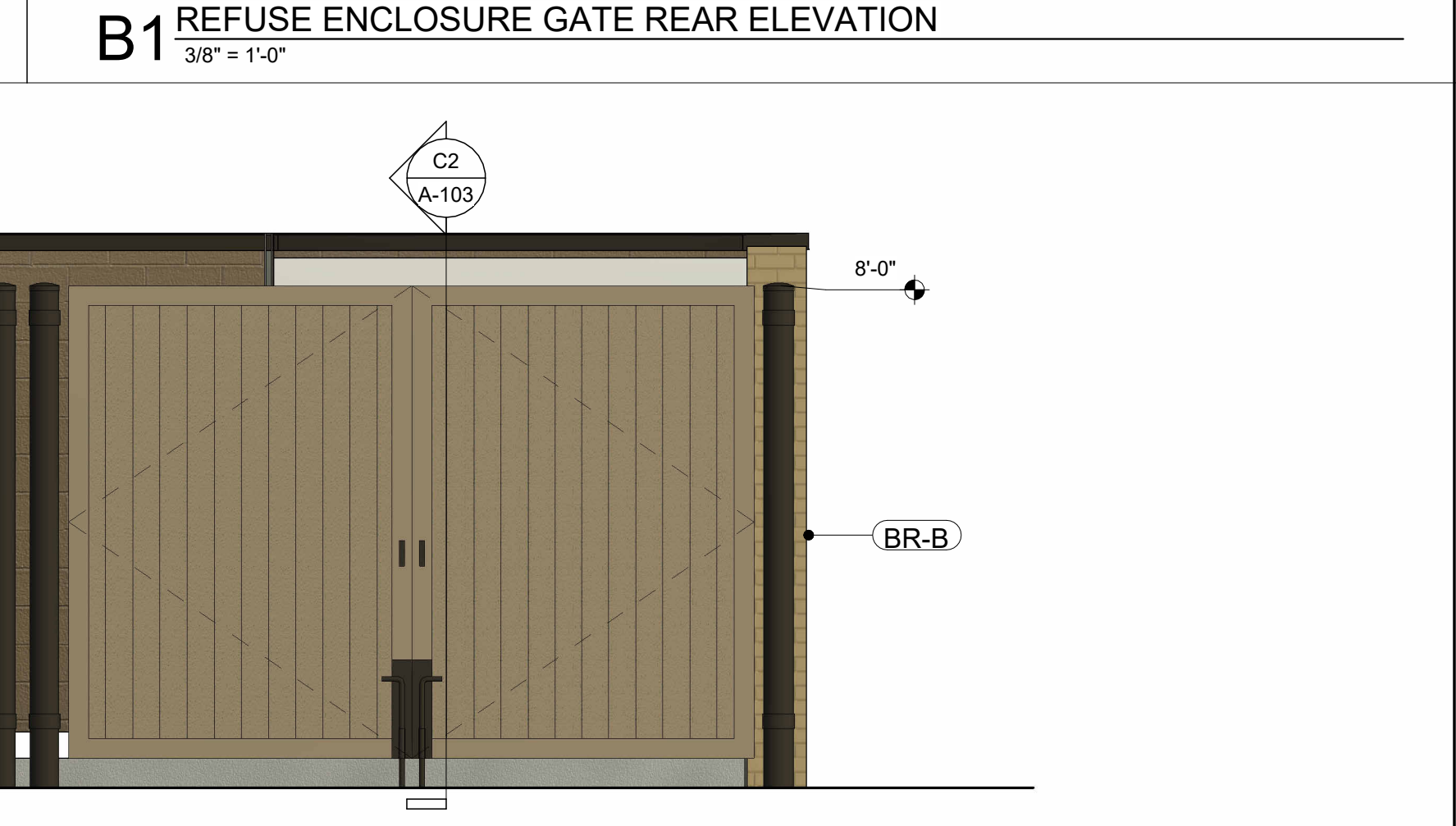
**C3 REFUSE ENCLOSURE BASE DETAIL**  
1 1/2" = 1'-0"



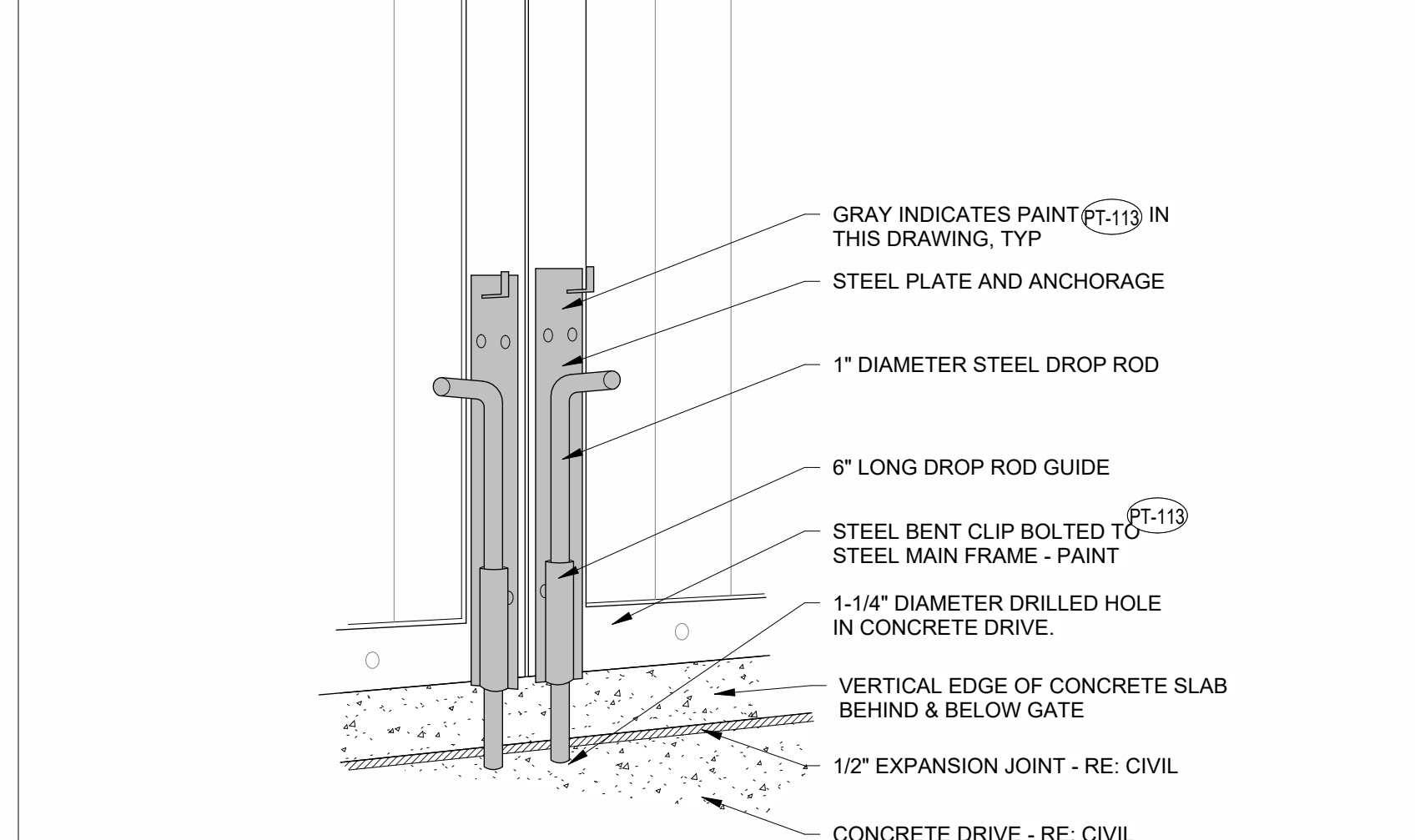
**B1 REFUSE ENCLOSURE GATE REAR ELEVATION**  
3/8" = 1'-0"



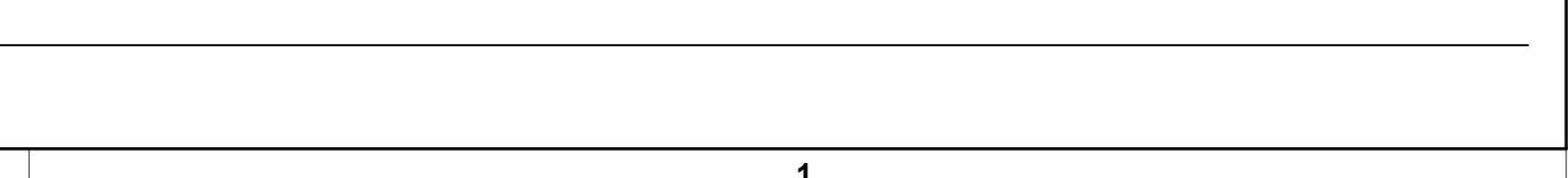
**B2 REFUSE ENCLOSURE ELEVATION**  
3/8" = 1'-0"



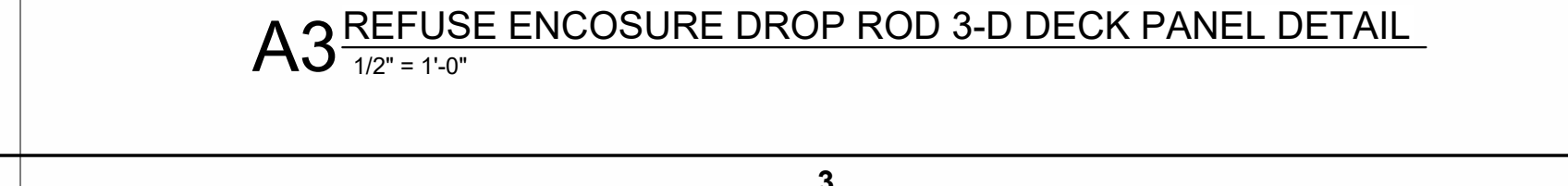
**A2 REFUSE ENCLOSURE ELEVATION**  
3/8" = 1'-0"



**A3 REFUSE ENCLOSURE DROP ROD 3-D DECK PANEL DETAIL**  
1/2" = 1'-0"



**A4 REFUSE ENCLOSURE SECTION**  
1/2" = 1'-0"



**C4 REFUSE PAD AT CONCRETE PAVING DETAIL**  
3/4" = 1'-0"



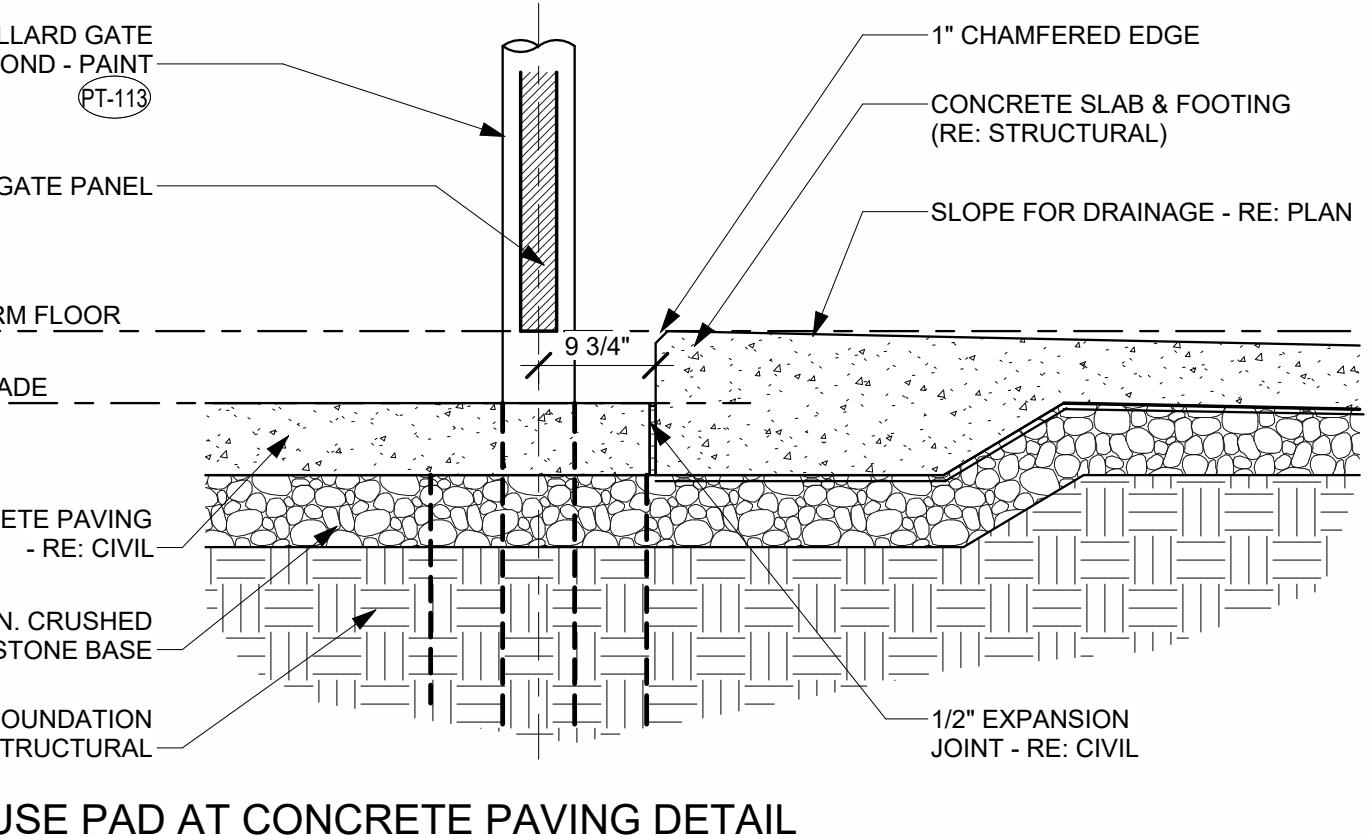
**A4 REFUSE ENCLOSURE SECTION**  
1/2" = 1'-0"



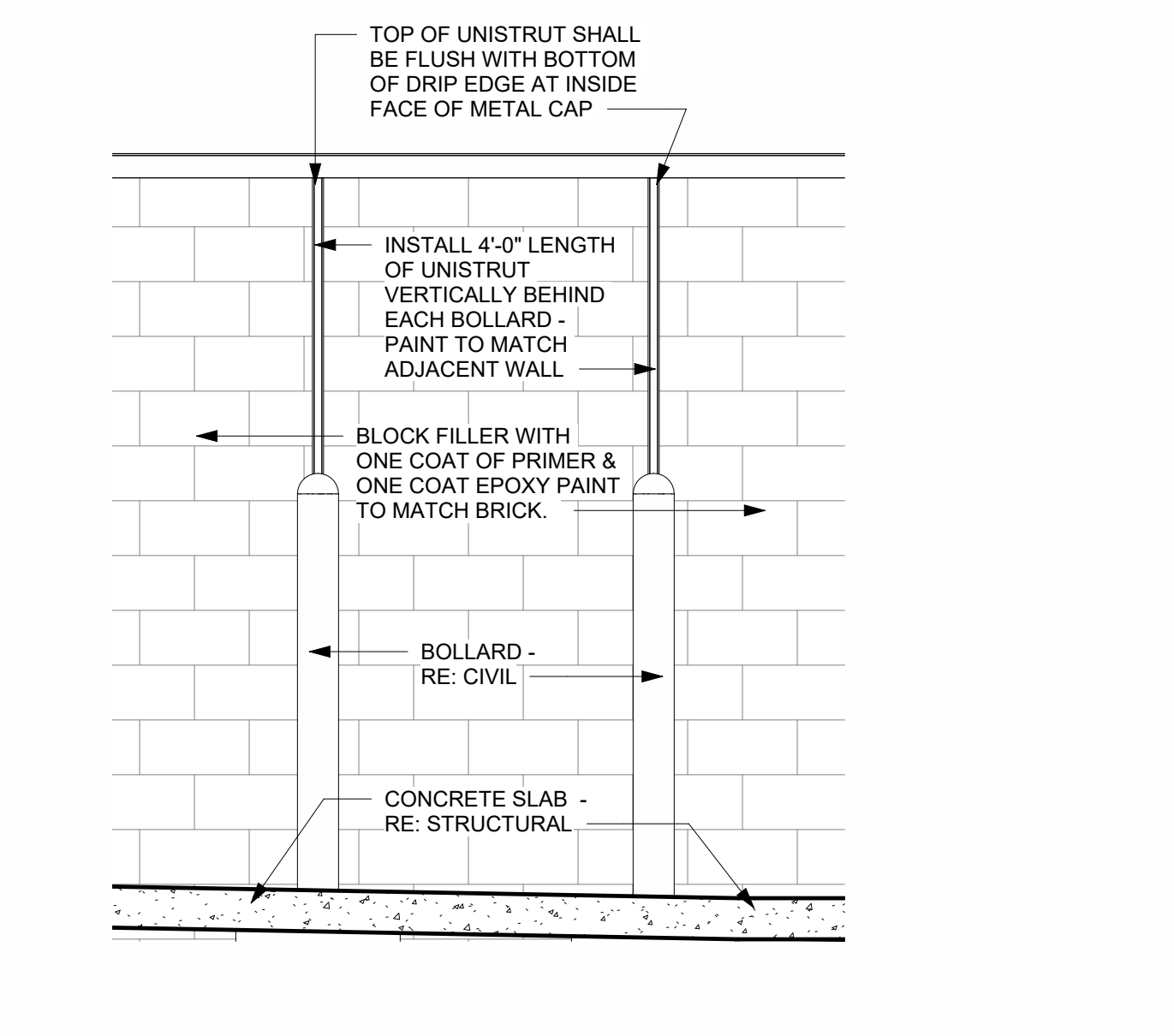
**C4 REFUSE PAD AT CONCRETE PAVING DETAIL**  
3/4" = 1'-0"

**REFUSE ENCLOSURE NOTES**

- \*\* IN THE ARCHITECTURAL DRAWINGS, REFUSE ENCLOSURE AND MAIN BUILDING ARE BOTH NOTED WITH FINISH SLAB AT 0'-0". ACTUAL FINISH SLAB HEIGHTS WILL VARY BETWEEN MAIN BUILDING AND REFUSE ENCLOSURE. REFER TO CIVIL FOR ALL FINISH SLAB HEIGHTS.



**C4 REFUSE PAD AT CONCRETE PAVING DETAIL**  
3/4" = 1'-0"



**A4 REFUSE ENCLOSURE SECTION**  
1/2" = 1'-0"

4/13/2023 5:45:58 PM Autodesk Docs://IN\_05219\_I-70 & SR 267 (IN) FSU\_2022.12\_FSR05219\_I-70 & SR 267 (IN) FSU\_ARC.rvt 10-SE-05219-A-103-REFUSE ENCLOSURE