

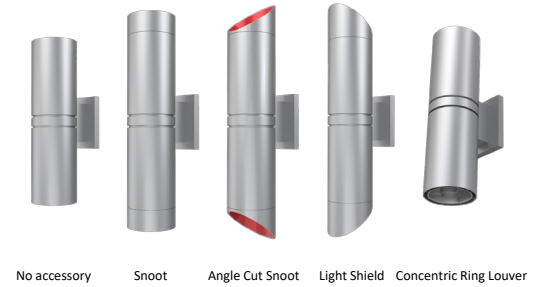
OVERVIEW

High Center Beam Wall Mount Direct/Indirect Cylinder

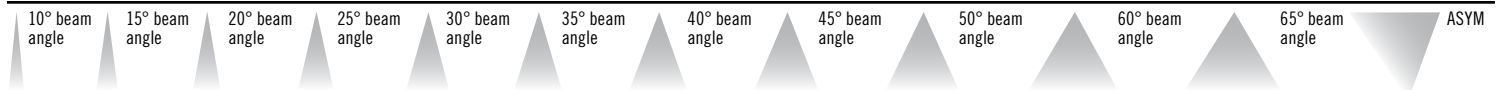
4"

Feature Set

- Downlight and uplight can be individually specified for lumen output, beam spreads and accessories, allowing for a complete custom design
- Accessories available in vivid colors to give designers the freedom to create unique luminaires
- 12 optimized distribution patterns allow designers to achieve unique specifications for their projects
- Bounding Ray™ delivers top down flash for superior glare control
- 45° cutoff to source and source image
- Fully serviceable lensed LED light engine
- 70% lumen maintenance at 60,000 hours
- 2.5 MacAdam Ellipse; 85 CRI typical, 90+ CRI optional
- Fixtures are damp location standard; wet location (WL) and IP66 options available - covered ceiling not required.
- 20 standard cylinder colors in textured and gloss finish; custom or RAL colors also available
- ENERGY STAR® Certified product
- UGR of zero for fixtures aimed at nadir with a cut-off equal to or less than 60deg per CIE 117-1995 Discomfort Glare in Interior Lighting. [UGR FAQ](#)



Distribution



Superior Performance

Nominal Lumens per Direction	500	750	1000	1500	2000	2500	3000	3500	4000	4500	5000
Delivered Lumens	703	807	1062	1545	1977	2419	2920	3548	3982	4419	4848
Wattage	6.7	7.5	9.8	15.1	21.5	26.5	34.1	33.8	39.5	46.2	53.2
Efficacy	104	108	108	102	92	91	86	105	101	96	91

*Based on 3500K AR LSS 35D 80CRI down orientation only

Coordinated Apertures | Multiple Layers of Light



General Illumination Layer | EVO



High Center Beam Layer | Incito



EVO + Incito — Multiple Layers of Light

Core



Healthcare



Special Applications



COMPLEMENTARY PRODUCTS

A+ Capable options indicated by this color background.

Luminaire Type:

Catalog Number:

EXAMPLE: IC04UDWC 35/15 AR LSS 35D SNT SDBLB U30LM U35D USNT USDBLB MVOLT GZ10 JBX DWHG

Series	Color Temperature	Direct Lumens (Down)	Reflector Color	Reflector Finish	Direct Beam (Down)
IC04UDWC Incito 4in Wall Mount Direct/Indirect Round Cylinder Open Downlight	27/ 2700 K	05 500 lumens	AR Clear	LSS Semi-specular	10D ² 10° beam angle
	30/ 3000 K	07 750 lumens	PR Pewter	LD Matte diffuse	15D 15° beam angle
	35/ 3500 K	10 1000 lumens	WTR Wheat	LS Specular	20D 20° beam angle
	40/ 4000 K	15 1500 lumens	GR Gold		25D 25° beam angle
	50/ 5000 K	20 2000 lumens	WR ¹ White painted		30D 30° beam angle
		25 2500 lumens	BR ¹ Black painted		35D 35° beam angle
		30 3000 lumens	WRAMF ¹ White anti-microbial		40D 40° beam angle
		35 3500 lumens	BZR ¹ Dark Bronze painted		45D 45° beam angle
		40 4000 lumens			50D 50° beam angle
		45 4500 lumens			60D 60° beam angle
	50 5000 lumens			65D 65° beam angle	
				ASYM ³ Asymmetric	

Direct Snoot Option (Down)	Direct Snoot Insert Color ⁵ (Down)	Direct Louver Option (Down)	Indirect Lumens (Up)
(blank) No Snoot	SDNA Natural Aluminum	(blank) No Louver	U05LM 500 lumens
SNT Snoot	SDDB Gloss Dark Bronze	RNGLV Concentric Ring Louver	U07LM 750 lumens
SNTANG Angle Cut Snoot	SDBL Gloss Black		U10LM 1000 lumens
SHLD ⁴ Light Shield	SDWHG Gloss White		U15LM 1500 lumens
	SDMB Gloss Medium Bronze		U20LM 2000 lumens
	SDSS Gloss Sandstone		U25LM 2500 lumens
	SDGC Gloss Charcoal Grey		U30LM 3000 lumens
	SDTG Gloss Tennis Green		U35LM 3500 lumens
	SDBR Gloss Bright Red		U40LM 4000 lumens
	SDSB Gloss Steel Blue		U45LM 4500 lumens
	SDBBT Matte Dark Bronze		U50LM 5000 lumens
	SDBLB Matte Black		
	SDWH Matte White		
	SDBNH Matte Bronze		
	SDNAT Matte Natural Aluminum		
	SDSST Matte Sandstone		
	SDSPD Matte Dark Grey		
	SDSPE Matte Green		
	SDSPH Matte Light Red		
	See Architectural colors for RAL and custom colors.		

Indirect Beam (Up)	Indirect Snoot Option (Up)	Indirect Snoot Insert Color ⁵ (Up)	Indirect Louver Option (Up)
U10D ² 10° beam angle	(blank) No Snoot	USDNA Natural Aluminum	(blank) No Louver
U15D 15° beam angle	USNT ⁶ Snoot	USDDB Gloss Dark Broze	URNGLV Concentric Ring Louver
U20D 20° beam angle	USNTANG Angle Cut Snoot	USDBL Gloss Black	
U25D 25° beam angle	USHLD ⁴ Light Shield	USDWHG Gloss White	
U30D 30° beam angle		USDMB Gloss Medium Bronze	
U35D 35° beam angle		USDSS Gloss Sandstone	
U40D 40° beam angle		USDGC Gloss Charcoal Grey	
U45D 45° beam angle		USDTG Gloss Tennis Green	
U50D 50° beam angle		USDBR Gloss Bright Red	
U60D 60° beam angle		USDSB Gloss Steel Blue	
U65D 65° beam angle		USDBBT Matte Dark Bronze	
UASYM ³ Asymmetric		USDBLB Matte Black	
		USDWH Matte White	
		USDBNH Matte Bronze	
		USDNAT Matte Natural Aluminum	
		USDSST Matte Sandstone	
		USDSPD Matte Dark Grey	
		USDSPE Matte Green	
		USDSPH Matte Light Red	
		See Architectural colors for RAL and custom colors.	

ORDERING CONTINUES ON NEXT PAGE...

Voltage		Driver ⁸	Mounting
MVOLT	120V - 277V	GZ10 0-10V driver dims to 10%	JBX Integral driver, Recessed or Surface J-box
120	120V	GZ1 0-10V driver dims to 1%	
277	277V	EZ10 eldoLED 0-10V ECOdrive. Linear dimming to 10% min.	
347 ⁷	347V	EZ1 eldoLED 0-10V ECOdrive. Linear dimming to 1% min.	
		EZB eldoLED 0-10V SOLOdrive. Logarithmic dimming to <1%.	
		EDAB⁹ eldoLED SOLOdrive DALI. Logarithmic dimming to <1%.	
		EDXB^{9,10} eldoLED POWERdrive DMX with RDM (remote device management). Square Law dimming to <1%. Min: 1000LM; Max: 4000LM.	
		ELV⁹ Electronic line voltage / forward phase / Triac dimming, 120V Only.	
		ECOD⁹ Lutron® EcoSystem® digital Hi-Lume 1% soft-on, fade to black. Max: 4000LM.	

Control Interface ¹¹		Options	Architectural Colors for Cylinder - Powder Paint ⁵	
(blank)	No controls	SF Single fuse. Specify 120V or 277V.	DDB Gloss Dark Bronze	DDBT Textured Dark Bronze
NLT	nLight® dimming pack.	90CRI High CRI (90+)	DBL Matte Black	DBLB Textured Black
NLTER¹²	nLight® dimming pack for fixtures on emergency circuit	N80 nLight Lumen Compensation	DWH Gloss White	DWHG Textured White
NLTAIR2	nLight® AIR dimming pack.	HAO¹³ HAO High Ambient Option (40°C)	DMB Matte Medium Bronze	DBNH Textured Bronze
NLTAIRER2¹²	nLight® AIR dimming pack for fixtures on emergency circuit	WL¹⁴ Wet Location	DNA Gloss Natural Aluminum	DNAT Textured Natural Aluminum
2NLT	2 nLight dimming packs	IP66¹⁵ Lensed, IP66 rated	DSS Gloss Sandstone	DSST Textured Sandstone
2NLTER¹²	2 nLight dimming packs for fixtures on emergency circuits		DGC Gloss Charcoal Grey	DSPD Textured Dark Grey
2NLTAIR2	2 nLight AIR dimming packs		DTG Gloss Tennis Green	DSPE Textured Green
2NLTAIRER2¹²	2 nLight AIR dimming packs for fixtures on emergency circuits		DBR Gloss Bright Red	DSPH Textured Light Red
			DSB Gloss Steel Blue	DWHAMF Gloss White with Anti-microbial finish

ACCESSORIES — order as separate catalog numbers (shipped separately)

GCOLORS KIT	Architectural colors chip kit, consisting of powder-coat and plated finishes
OPTC4 XXD	Additional optics for field installation. Replace "XX" with beam angle.

ORDERING NOTES

- Not available with Reflector Finish.
- Only available up to 1500 lumens.
- Up to 4500 lumens down and 3500 lumens up. Refer to Max Lumens per Rating chart. Not available with SNT, USNT, SHLD, or USHLD.
- Not available with Snoot Insert Color.
- For details on RAL and Custom colors please see [Architectural colors](#)
- Not available with WL or IP66 options.
- Factory supplies two step down transformers. Both must be utilized for single or dual control operation. Transformers must be remote mounted and access is required to location of remote mounted devices.
- Refer to [Tech 240](#) for compatible dimmers.
- Not available with Control Interfaces.
- Includes terminator resistor.
- Field installed. Access required to location of remote mounted device. Choose 1 nLight dimming pack to control direct and indirect lighting together. Choose 2 nLight dimming packs to control direct and indirect lighting independently.
- For use with generator supply EM power. Will require an emergency hot feed and normal hot feed.
- Only available up to 2500 lumens; not available with WL, or IP66.
- Up to 5000 lumens down and 3500 lumens up for all non-ASYM beams; up to 4500 lumens down and 3500 lumens up for ASYM beam. Refer to Max Lumens per Rating Chart.
- Up to 3500 lumens down and up for all non-ASYM beams; up to 2500 lumens down and up for ASYM beam. Refer to Max Lumens per Rating chart.

Optical Assembly

Fully serviceable and upgradeable lensed LED light engine suitable for field maintenance or service from room side. Optical design is a Bounding Ray™ design with 45° cutoff to source and source image. Top down flash characteristic for superior glare control.

Direct/Indirect Lighting

The downlight and uplight portions of the luminaire can be individually specified for in terms of lumen output, beam spreads, and accessories. The luminaire encompasses dual drivers, allowing for downlight and uplight to be independently controlled. Available up to 5,000 lumens down and 5,000 lumens up for a total of 10,000 lumens per luminaire.

Accessories

The luminaire is available with 4 accessories that serve functional and aesthetic purposes. 1) Snoot: improved cut-off angle, glare control, and decorative appeal with insert (available in multiple finishes); 2) Angle Cut Snoot: decorative appeal with insert (available in multiple finishes); 3) Light Shield: glare control; and 4) Concentric Ring Louver: improved cut-off angle and glare control.

Electrical

The luminaire shall operate from a 50 or 60 Hz ±3 Hz AC line over a voltage ranging from 120 VAC to 277 VAC. Support 347V via remote-mounted stepdown transformers. The fluctuations of line voltage shall have no visible effect on the luminous output. The luminaire shall have a power factor of 90% or greater at all standard operating voltages and full luminaire output. Sound Rated A+. Driver shall be >80% efficient at full load across all input voltages. Input wires shall be 18AWG, 300V minimum solid copper. All drivers are ROHS compliant.

Controls

Luminaire shall be equipped with interface for nLight wired or nLight AIR networks with integral power supply as per specification.

Dimming

The luminaire shall be capable of continuous dimming without perceivable stroboscopic flicker as measured by flicker index (ANSI/IES RP-16-10) over a range of 100 – 10%, 100 – 1.0% or 100 – 0.1% of rated lumen output with a smooth shut off function to step to 0%. eldoLED LED drivers shall conform to IEEE P1789 standards. Alternatively, manufacturers must demonstrate conformance with product literature and testing which demonstrates this performance. Systems that do not meet IEEE P1789 will not be considered. Driver is inaudible in 24dB environment, and stable when input voltage conditions fluctuate over what is typically experienced in a commercial environment.

Construction

Heavy-gauge aluminum construction. Extruded body with flangeless reflector allows flow-through passive thermal management.

Listings

Fixtures are CSA Certified to meet US and Canadian Standards: All fixtures manufactured in strict accordance with the appropriate and current requirements of the “Standards for Safety” to UL, damp location standard; wet location options available (WL) or lensed (IP66). All drivers are ROHS compliant. Luminaire configurations are Energy Star certified through testing in EPA-recognized laboratories, with the results reviewed by an independent, accredited certification organization. Visit www.energystar.gov for specific configurations listed.

BUY AMERICAN ACT

This product is assembled in the USA and meets the Buy America(n) government procurement requirements under FAR, DFARS and DOT regulations. Please refer to www.acuitybrands.com/buy-american for additional information.

Photometrics

LEDs tested to LM-80 standards. Measured by IESNA Standard LM-79-08 in an accredited lab. Lumen output shall not decrease by more than 30% over the minimum operational life of 60,000 hours. Color appearance from luminaire to luminaire of the same type and in all configurations, shall be consistent both initially and at 6,000 hours and operate within a tolerance of <2.5 MacAdam ellipse as defined by the center of the quadrangles defined in ANSI C78.377-2015.

Warranty

5-year limited warranty. This is the only warranty provided and no other statements in this specification sheet create any warranty of any kind. All other express and implied warranties are disclaimed. Complete warranty terms located at: www.acuitybrands.com/support/warranty/terms-and-conditions

A+ Capable Luminaire

This item is an A+ capable luminaire, which has been designed and tested to provide consistent color appearance and out-of-the-box control compatibility with simple commissioning.

- All configurations of this luminaire meet the Acuity Brands’ specification for chromatic consistency
- This luminaire is part of an A+ Certified solution for nLight® control networks when ordered with drivers marked by a shaded background*
- This luminaire is part of an A+ Certified solution for nLight® control networks, providing advanced control functionality at the luminaire level, when selection includes driver and control options marked by a shaded background*

To learn more about A+, visit www.acuitybrands.com/aplus.

*See ordering tree for details

ICO - eldoLED Driver Default Dimming Curve			
Nomenclature	Min Dimming	Driver Dim Curve	Control Dim Curve
EZ10	10%	Linear	Linear/Logarithmic
EZ1	1%	Linear	Linear/Logarithmic
EZB	<1%	Logarithmic	Linear
EDAB	<1%	Logarithmic*	Linear
EDXB	<1%	Square	Linear

*Changeable through DALI controller

Lumen Output Multiplier		
CRI	CCT	Multiplier
80	2700K	0.916
	3000K	0.948
	3500K	1
	4000K	1.032
	5000K	1.1
90	2700K	0.748
	3000K	0.8
	3500K	0.838
	4000K	0.845
	5000K	0.945

Reflector Finish Multiplier	
Reflector Finish	Multiplier
LS - Specular	1
LSS - Semi Specular	0.956
WR - White	0.87
LD - Matte Diffuse	0.85
BR - Black	0.73
BZR - Bronze	0.73

Direction Multiplier	
Direction	Multiplier
Direct	1
Indirect	0.986

Control Provided (note: 347V/UVOLT versions provided with 347 option selected)					
Driver		NLT	NLTER	NLTAIR2	NLTAIRER2
Nomenclature	Description				
GZ10	0-10V driver dims to 10%	nPP16 D EFP	nPP16 D ER EFP	RPP20 D 24V G2	RPP20 D 24V ER G2
GZ1	0-10V driver dims to 1%	nPP16 D EFP	nPP16 D ER EFP	RPP20 D 24V G2	RPP20 D 24V ER G2
EZ10	eldoLED 0-10V ECOdrive	nPS 80 EZ	nPS 80 EZ ER	RPP20 D 24V G2	RPP20 D 24V ER G2
EZ1	eldoLED 0-10V ECOdrive	nPS 80 EZ	nPS 80 EZ ER	RPP20 D 24V G2	RPP20 D 24V ER G2
EZB	eldoLED 0-10V SOLOdrive	nPS 80 EZ	nPS 80 EZ ER	RPP20 D 24V G2	RPP20 D 24V ER G2

Max Lumens per Rating			
Rating	Beams	Down Lumens	Up Lumens
Damp	All Non-ASYM	5000	5000
	ASYM	4500	3500
Wet	All Non-ASYM	5000	3500
	ASYM	4500	3500
IP66	All Non-ASYM	3500	3500
	ASYM	2500	2500

Note:

Actual performance may differ as a result of end user environment and application. All values are design or typical values, measured under laboratory conditions at 25 °C.

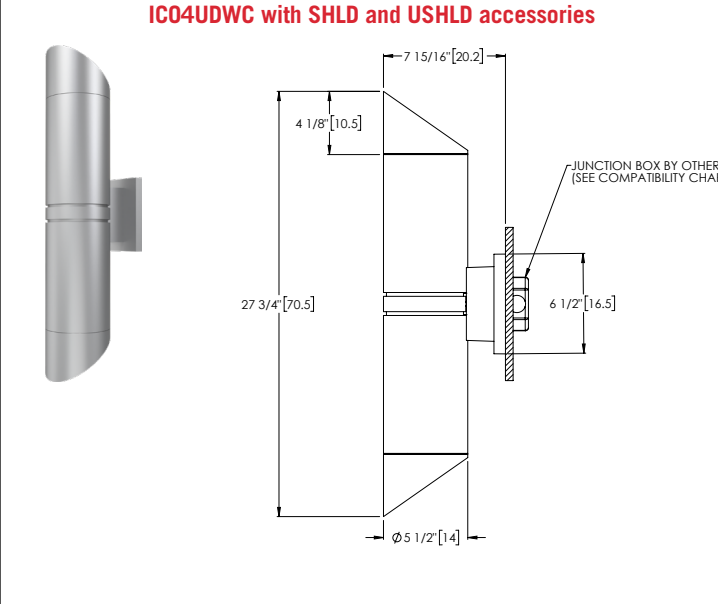
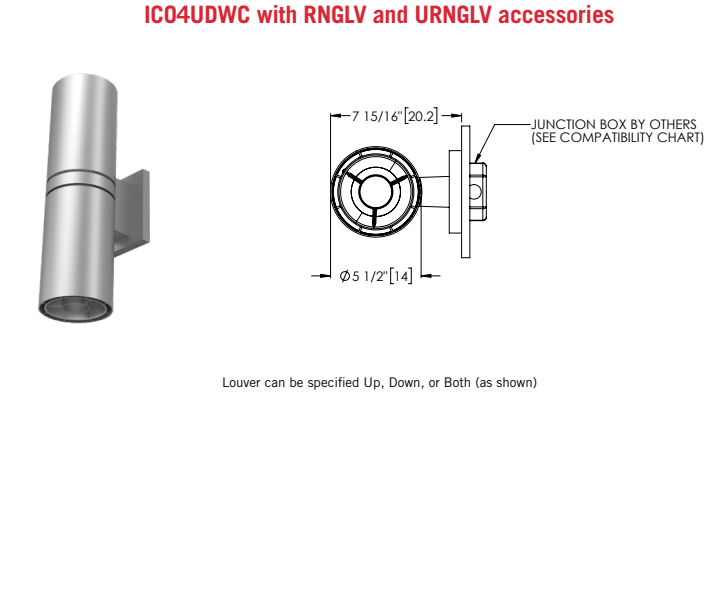
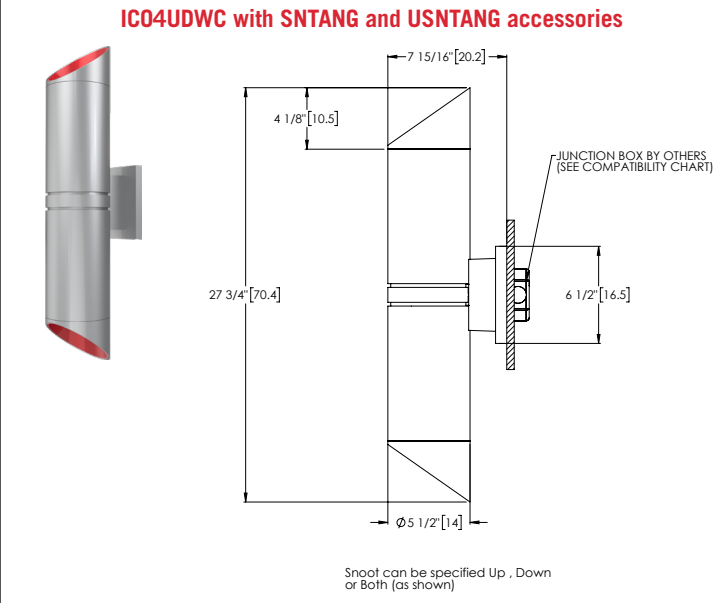
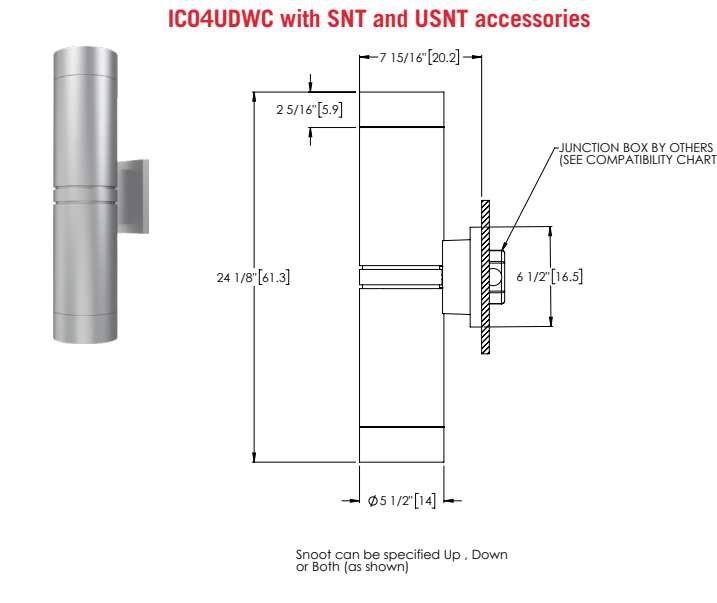
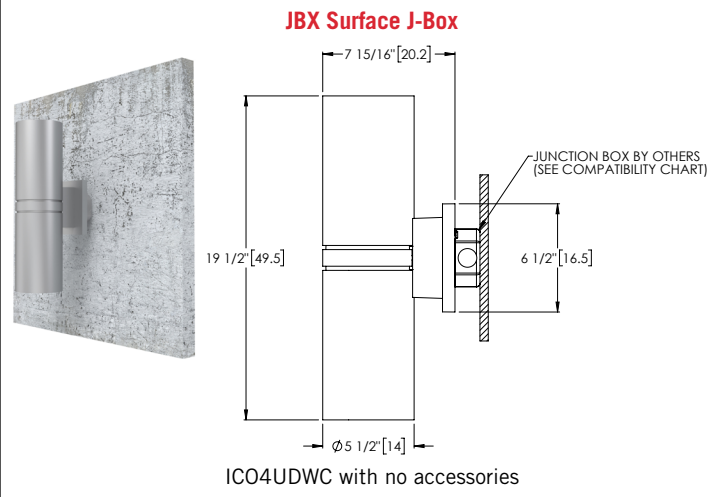
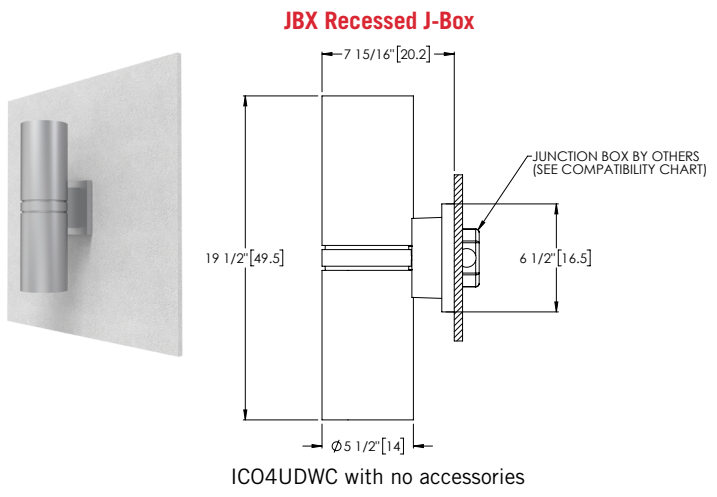
J-box Compatibility Matrix		Cylinder Configurations	
		JBX	JBX w/EDXB Driver
Recommended J-box (by others)	4" Octagonal 4x4x1.5 deep"	✓	✗
	4" Octagonal 4x4x2.125 deep	✓	✓
	4" Square 4x4x1.5 deep	✓	✗

Standard Architectural Color Options for Cylinder/Snoot Bodies, and Snoot Inserts



NOTE: These colors were carefully reproduced to give as true a depiction as possible of finished product color. Some colors, however, may vary slightly from actual appearance due to display/printing variations and limitations. Please always contact a Gotham representative for an accurate paint chip sample.

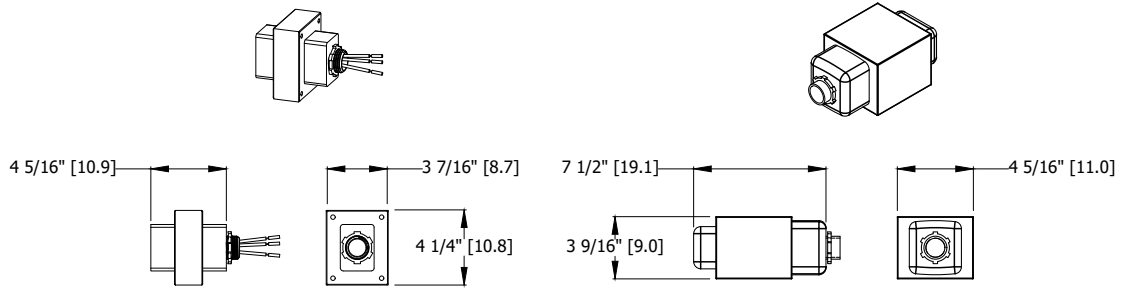
DIMENSIONAL DATA



*Dimensions in inches [centimeters]

DIMENSIONAL DATA

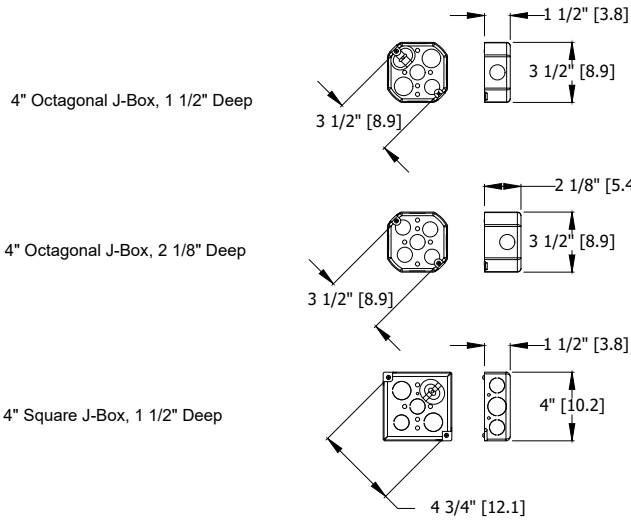
347V Stepdown Transformer



347 Transformer:
Up to 6000LM
Install to accessible
junction box by others

347 Transformer:
8000LM and up
Install to accessible
junction box by others

Junction Box Dimensions (by others)

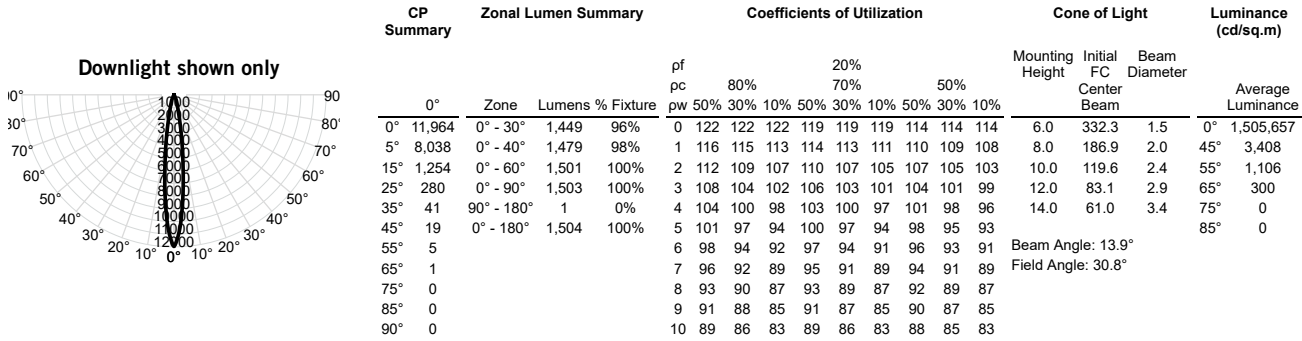


*Dimensions in inches [centimeters]

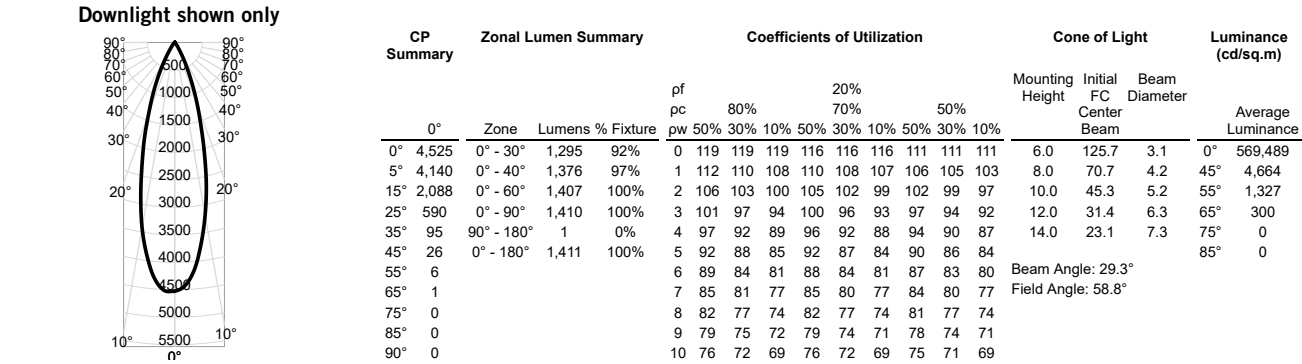
CONSULT WWW.GOTHAMLIGHTING.COM FOR ADDITIONAL PHOTOMETRY.

ICO4UDWC 35/15 AR LSS 15D Input Watts: 15.1, Delivered Lumens: 1504, LPW: 99.6, S/MH: 0.24, Test No: ISF 192654P7204

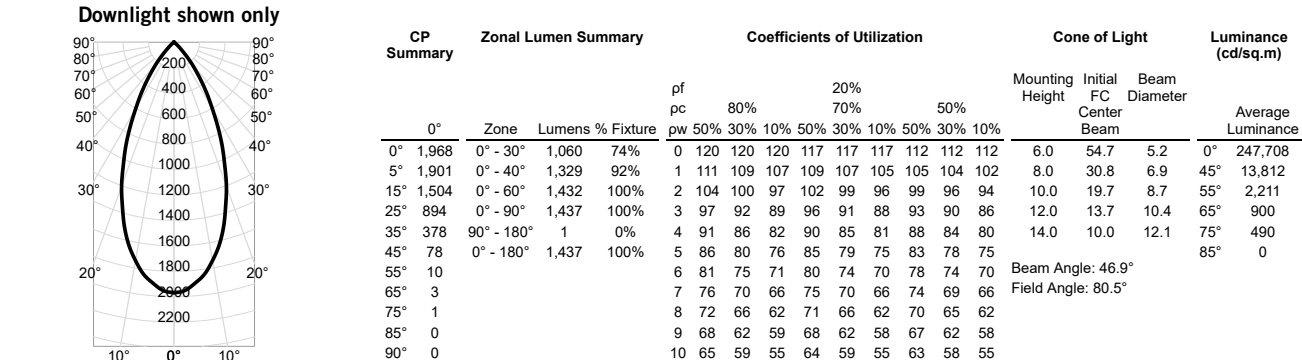
Photometry



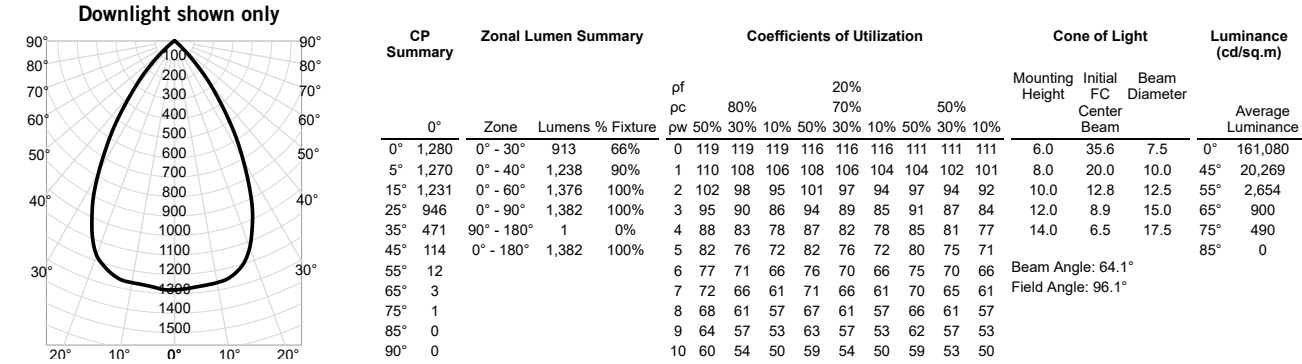
ICO4UDWC 35/15 AR LSS 30D Input Watts: 15.1, Delivered Lumens: 1411, LPW: 93.4, S/MH: 0.47, Test No: ISF 192657P7424



ICO4UDWC 35/15 AR LSS 45D Input Watts: 15.1, Delivered Lumens: 1437, LPW: 95.2, S/MH: 0.73, Test No: ISF 192660P6224



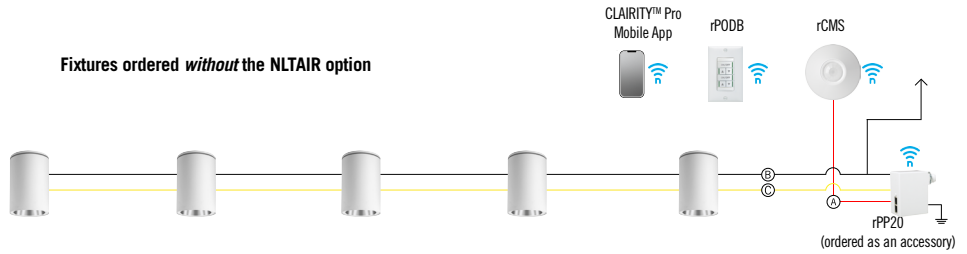
ICO4UDWC 35/15 AR LSS 65D Input Watts: 15.1, Delivered Lumens: 1382, LPW: 91.5, S/MH: 0.98, Test No: ISF 192663P7204



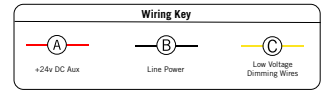
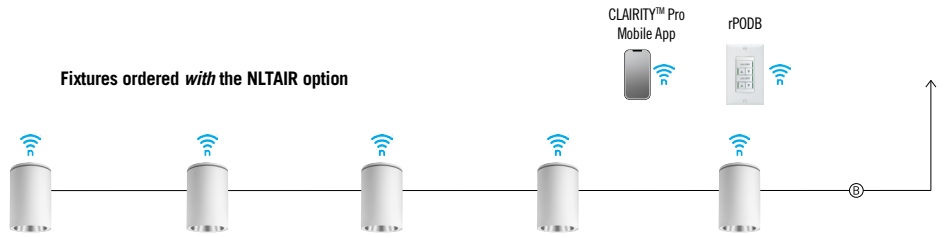
nLight® AIR is the ideal solution for retrofit or new construction spaces where adding communication wiring is cost prohibitive. The integrated nLight AIR rPP20 Power Pack is part of each EVO Luminaire ordered with the NLTAIR option. These individually addressable controls offer the ultimate in flexibility during initial setup and for space repurposing.

Possibilities for nLight® AIR

Fixtures ordered *without* the NLTAIR option



Fixtures ordered *with* the NLTAIR option



nLight® AIR Control Accessories

Order as separate catalog number. Visit [nLight AIR](#).

Wall Switches	Model Number
On/Off single pole	rPODB (color) G2
On/Off two pole	rPODB 2P (color) G2
On/Off & raise/lower single pole	rPODB DX (color) G2
On/Off & raise/lower two pole	rPODB 2P DX (color) G2

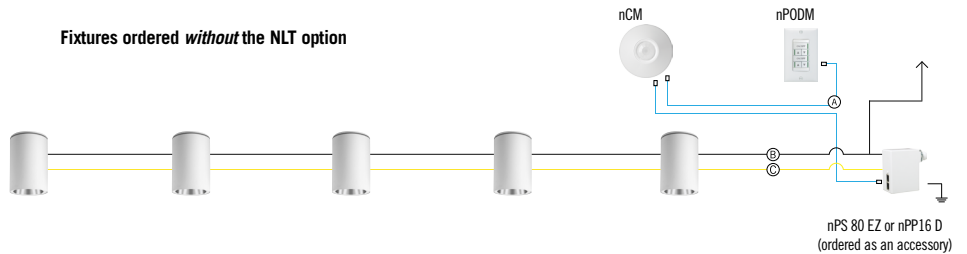
nLight® AIR Control Accessories (cont.)

Occupancy Sensors (PIR/dual tech)	Model Number
Small motion 360°, ceiling	rCMS 9 / rCMS PDT 9
Large motion 360°, ceiling	rCMS 10 / rCMS PDT 10

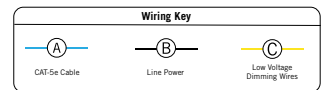
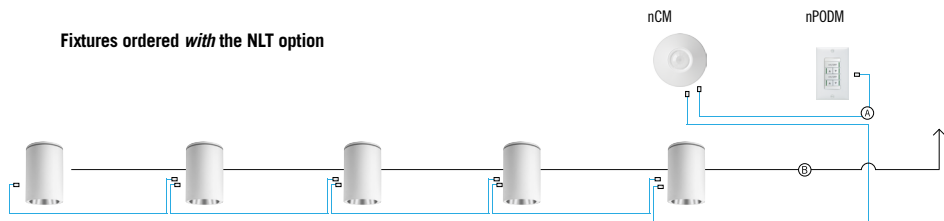
nLight® Wired The nLight® solution is a digital networked lighting control system that provides both energy savings and increased user configurability by cost effectively integrating time-based, daylight-based, sensor-based and manual lighting control schemes.

Possibilities for nLight® wired

Fixtures ordered *without* the NLT option



Fixtures ordered *with* the NLT option



nLight® Wired Control Accessories

Order as separate catalog number. Visit [nLight](#).

Wall Switches	Model Number
On/Off single pole	nPODM (XX)
On/Off two pole	nPODM 2P (XX)
On/Off & raise/lower single pole	nPOD DX (XX)
On/Off & raise/lower two pole	nPODM 2P DX (XX)
Graphic touchscreen	nPOD GFX (XX)

Photocell Controls	Model Number
Dimming	nCM ADCX

nLight® Wired Control Accessories (cont.)

Occupancy Sensors (PIR/dual tech)	Model Number
Small motion 360°, ceiling	nCM 9 / nCM PDT 9
Large motion 360°, ceiling	nCM 10 / nCM PDT 10
Wide View	nWV 16 / nWV PDT 16
Wall switch with raise/lower	nWSX LV DX / nWSX PDT LV DX

Cat-5 Cables (plenum rated)	Model Number
10', CAT5	CAT5 10FT J1
15', CAT5	CAT5 15FT J1