



M54700 Coordinator

Line Powered Coordinator

OVERVIEW

The ION M54700 Coordinator is a wireless device that forms, monitors and controls the radio mesh network at each multi-family property. It is the heart of the ION wireless radio network.

The coordinator installs easily with the ION gateway via a USB cable.

The coordinator manages data packet transmissions between the gateway and all radio devices integrated in the wireless mesh network.

Compatibility

- Wireless Water Meters
- Wireless Gas Meters
- Wireless Electric Meters
- Wireless BTU Meters
- Wireless Thermostat
- Wireless Relay

FEATURES

- The ION M54700 is a coordinator. (One coordinator required per gateway)
- Applications include submetering, remote energy monitoring & management and leak detection in multi-family facilities.
- Wireless mesh network system is ideal for new or retrofit installation.
- Remote monitoring, and control of wireless devices attached to water, gas, electric and BTU meters.
- Device forms, monitors and controls the radio mesh network at each multi-family property.
- Interfaces gateway to wireless mesh network to receive data from radio devices installed on the network, and transmit commands back to devices installed on the network.
- Installs at gateway via USB cable.
- Coordinator software can be updated remotely.
- Radio is compatible with the ION secure wireless 2.4 GHz mesh network.
- LED power indicator.
- Health Packet reported (120 minute interval default).
- Five year warranty.



ORDERING INFORMATION 12/2016

Model	Description
M54700	Line Powered Coordinator (includes a USB cable to connect gateway)



M54700 Coordinator

Technical Specifications

TECHNICAL SPECIFICATIONS

Electrical

Voltage input 5 volt DC
 Current input 45 milli-amps typical from USB cable, 250 milli-amp max

Regulatory approvals

US Complies with FCC CFR Part 15
 European RADIO EN 300 328:v1.7.1
 European EMC EN 301 489-17:V2.1.1
 European SAFETY EN 60950-1:2005 (Ed. 2.0)

Radio

20 dBm output power
 High sensitivity -106 dBm
 16 channels (802.15.4 Channel 11 to 26)
 Data rate 250 kilo bytes per second
 2.4 GHz ISM band

Environmental

Operating temperature 0 to 30 degree C
 Storage temperature -25 to 50 degrees C

Installation indicators

LED (green) indicates coordinator power

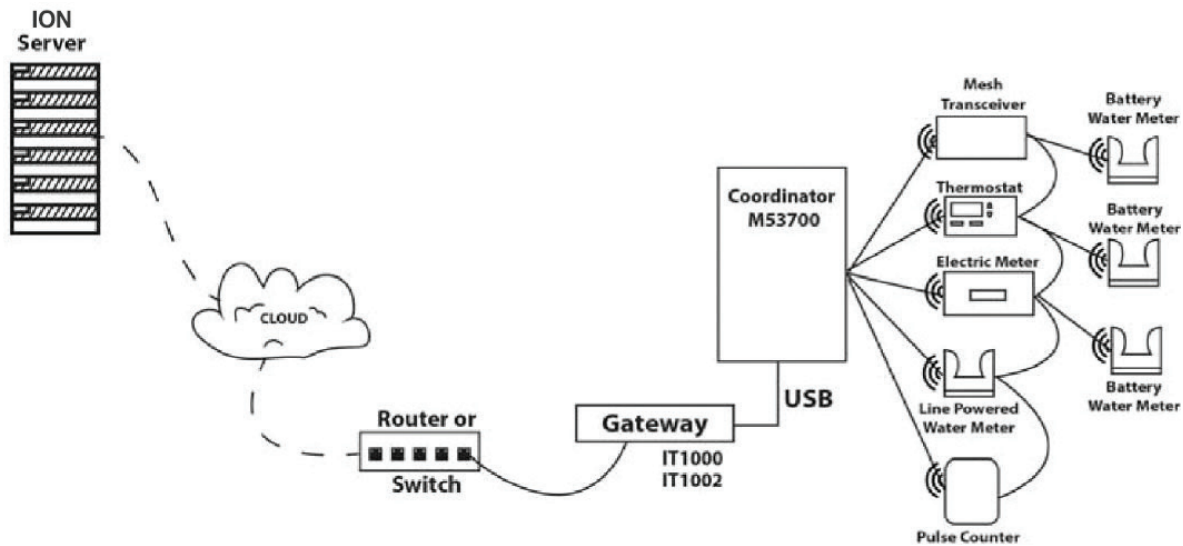
Physical

(H x W x D) 5.0 x 3.5 x 1.0625 inch
 Color gray
 Weight / shipping weight < 9 oz. / 1 lbs.

Warranty

Five Years

WIRING & INSTALLATION INFORMATION



ORDERING INFORMATION 12/2016

Model	Description
M54700	Line Powered Coordinator (includes a USB cable to connect gateway)