



IT1000 Gateway

Line Powered

OVERVIEW

The ION IT1000 Gateway is the heart of the ION radio network at the property. The gateway is equipped with an embedded CPU to interface between the network coordinator and the ION server.

The gateway can be connected to the internet via the property's internet or via a cellular modem. Once connected, the data is transmitted to the H2O Degree Server in the cloud for data collection, processing and report generation.

Gateway software can easily be updated remotely via the internet connection and does not require a display, keyboard or mouse.

FEATURES

- The ION IT1000 is a gateway with built-in CPU.
- Device connects the network coordinator to the ION cloud servers to enable remote monitoring and control of all ION wireless devices including water, electric, BTU & gas meters as well as thermostats and wireless relays. (Requires one M53700 Coordinator per gateway.)
- The gateway's built-in CPU is equipped with a 1 GHz processor, RTC (Real Time Clock with battery), 512 MB RAM, 3 USB 2.0 ports, 1 10/100
- Mbps Ethernet LAN port and an SD card for non-volatile memory.
- Gateway automatically acquires an IP address (DHCP) and transmits a message via port 19110 & 80 to the ION server in the cloud.
- Gateway does not require a display, keyboard or mouse.
- Gateway attaches to the coordinator via a USB cable.
- The gateway can store up to 200,000 records. After the storage is full, the gateway starts to dump off data using a FIFO principal (first in, first out). The amount of days is dependent on how many devices are connected, and what transmission intervals they are set to.
- The IT1000 can use a cellular modem if an Ethernet connection is not available (subscription applies.)
- The IT1000 is more suitable for thermostat control applications due to the onboard real-time clock and other noted specifications.



ORDERING INFORMATION 9/2015

Model	Description
IT1000-0100	IT1000 Gateway with power supply (included) 1-100 radio devices
IT1000-0500	IT1000 Gateway with power supply (included) 101-500 radio devices
IT1000-1000	IT1000 Gateway with power supply (included) 501-1000 radio devices
M53700	Coordinator—Required for each gateway
IT1008	Five-Port Ethernet Switch 10/100
IT2000	TMobile Cellular Modem
IT2001	Activated SIM Card
IT5000	Labor Database Commissioning
IT6000	Vision Radiogate Software Module



IT1000 Gateway

Line Powered - Technical Specifications

TECHNICAL SPECIFICATIONS

Electrical

Voltage input 100 - 240 volts AC 50/60 Hz to external power adapter
 External power adapter power output to gateway Voltage 5 volts
 DC at 2 amps typical, (10 watts)

Environmental

Operating temperature 0 to 50 degree C

Installation Indicators

LED (green) indicates gateway power

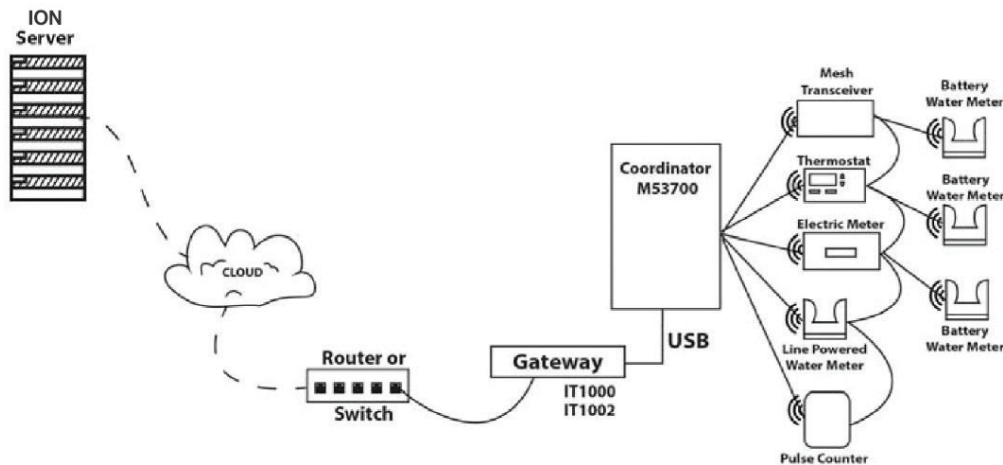
Physical

(H x W x D) 3.7 x 3.7 x 0.8 inches
 Color: Black
 Weight / shipping weight < 9 oz. / 1.8 lbs.

Warranty

Two Years

WIRING & INSTALLATION INFORMATION



ORDERING INFORMATION

Model	Description
IT1000-0100	IT1000 Gateway with power supply (included) 1-100 radio devices
IT1000-0500	IT1000 Gateway with power supply (included) 101-500 radio devices
IT1000-1000	IT1000 Gateway with power supply (included) 501-1000 radio devices
M53700	Coordinator—Required for each gateway
IT1008	Five-Port Ethernet Switch 10/100
IT2000	TMobile Cellular Modem
IT2001	Activated SIM Card
IT5000	Labor Database Commissioning
IT6000	Vision Radiogate Software Module