


*With Western the water savings are significant and maintenance is minimal.*

- Elongated bowl.
- Sani-Glazed™ trapway gives years of sanitary, trouble free use.
- Full size water surface and seal for a clean and sanitary bowl.
- Quick-Install™ tank to bowl fittings speed installation and helps reduce potential leaks.
- Front mount color matched handle, also available with right-hand handle.
- Available with 10" rough-in.
- Available in White, Ivory Bone, and Cashmere.
- Seat not included.
- All Western products are IAPMO tested and meet or exceed  standards.

**Our customers tell us it's  
"The Best Flushing Toilet in America!"**

For more information please contact us toll-free:

**877-WPWORKS (979-6757)**

US Sales and Service

**Phone 562.229.0910 • Fax 562.229.0930**

**www.westernpottery.com • Email: info@westernpottery.com**

14405 Best Avenue • Norwalk, California 90650

# B832 / T8ULF-HP

## 1.6 gpf

### PHYSICAL PROPERTIES

Model: **B832 / T8ULF-HP**

Water Surface: **8.25" x 10.43"**  
(209mm x 265mm)

Water Seal: **2.68"** (68mm)

Trapway Ball Pass: **2.00"** (51mm)

Trapway Diameter: **3.00"** (76.2mm)

Water Consumption: **1.6 gpf / 6.00 lpf**

Shipping Weight: **49.6 lbs** (22.5kg) **bowl**  
**42.9 lbs** (19.5kg) **tank**

Shipping Cube: **4.39 ft** (0.12m<sup>3</sup>) **bowl**  
**1.47 ft** (0.04m<sup>3</sup>) **tank**

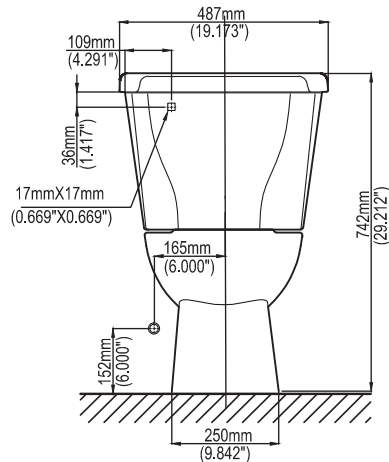
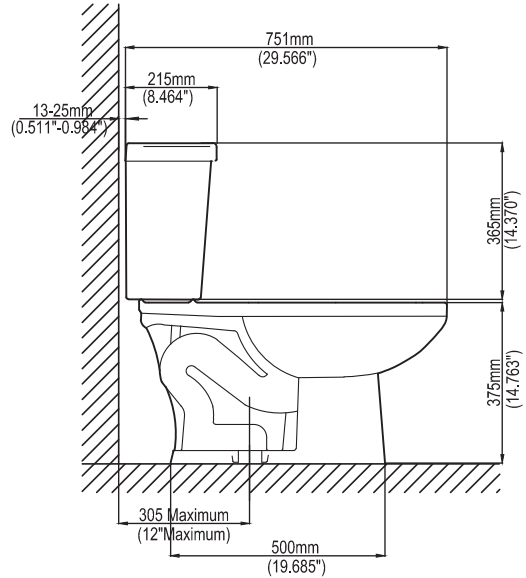
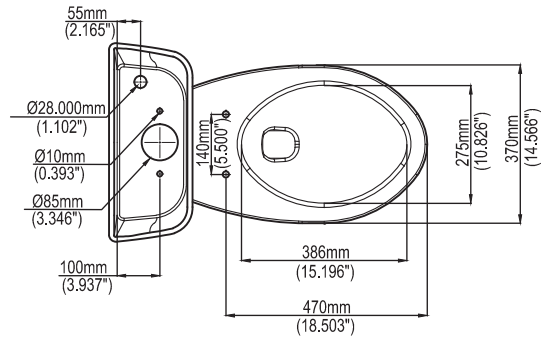
Minimum Rough-in: **11.00"** (280mm)

Fill Valve: **A1241020100**

Flush Valve: **A21022**

Tank Lever: **A5103**

Flapper No.: **RA21020100**



**IMPORTANT:** These dimensions are nominal and vary within the range of tolerances established by ASME standard A112.19.2.



For more information please contact us toll-free:  
**877-WPWORKS (979-6757)**

[www.westernpottery.com](http://www.westernpottery.com) • Email: [info@westernpottery.com](mailto:info@westernpottery.com)