

FIRE-RATED 3/8" COMPRESSION OUTLET CONNECTION OUTLET BOX

696R series

Ox Box™

SPECIFICATION

Sioux Chief 696R series Ox Box fire-rated 3/8" compression outlet connection outlet box shall be used where necessary in plumbing supply systems. Box shall allow for mounting with supply lines from top or bottom, mounted on-stud. Unit shall be available with plain valve or valve with water hammer arrester. Arrester shall be certified to ASSE 1010 and shall be UPC listed. Metal support bracket shall install into top track of box for additional support. Outlet connection shall be generally 3/8".

MATERIALS

- outlet box: ABS
- frame: fire-rated ABS
- frame extension*: fire-rated ABS
- bracket: galvanized steel
- arrester body: Type L copper tube
- piston: polypropylene with two EPDM o-rings
- piston lubrications: Dow-Corning, 111 FDA approved silicone compound
- valve body: chrome-plated forged brass
- fire-guard: intumescent material

* 696-EX available separately. Used with two layers of drywall for 2-hour specifications.

INSTALLATION

Stud construction can be non-load bearing or load bearing. Wood or metal stud construction, max 100 in² of penetrations per 100 ft² of wall.

VALVE/ARRESTER WORKING LIMITS

- max working temperature: 250 °F
- max testing air pressure: 100 PSIG
- max working/testing pressure: 250 PSIG

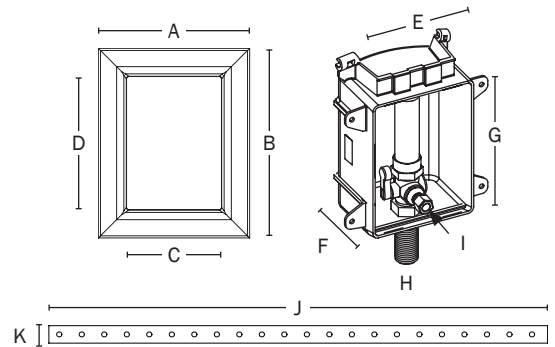
DIMENSIONS

- A: frame width 5 3/4"
- B: frame height 7 1/4"
- C: frame opening width 3 5/8"
- D: frame opening height 5 1/8"
- E: rough-in box inner width 4"
- F: rough-in box overall depth 3 1/2"
- G: rough-in box inner height 5 1/2"
- H: supply connection 1/2" nominal (see 'C' below)
- I: outlet connection 3/8" compression
- J: bracket length 18"
- K: bracket width 5/8"
- bracket thickness 16 gauge

Item # Submitted	_____
Job Name	_____
Location	_____
Engineer	_____
Contractor	_____
PO#	_____ TAG _____



696R1001MF



CERTIFICATIONS/APPROVALS

Listed by UPC/IAPMO to meet UPC
 Conforms to IPC
 Listed by Warnock Hersey to meet:
 ASTM E-814, CAN/ULC S115
 2 hours (F), 1 1/2 hours (T) for 2-hour design
 1 hour (F), 31 minutes (T) for 1-hour design
 ASTM E-119, UL 1479
 System design number:
 SC/WA120, W/N 14409
 Valves meet ASME A112.18.1
 SCM items available with no-lead valves
 are compliant with NSF-61 Annex G and
 California No Lead Plumbing Law



Create Item Number

696 A 10 B 1 C F

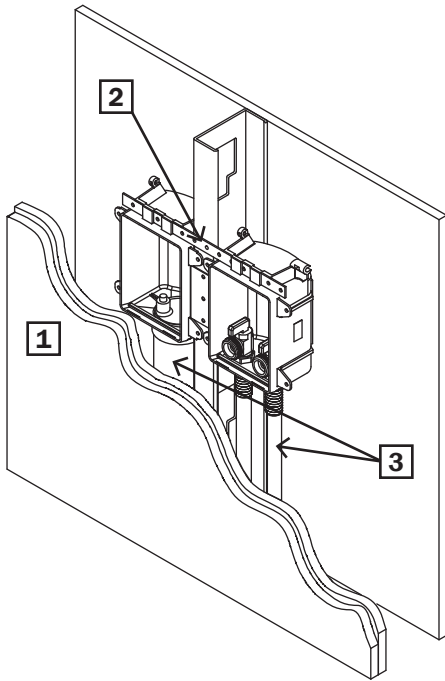
e.g. 696R1011MF = fire-rated 3/8" compression outlet connection box, female sweat valve with arrester, packaged with frame

- | | | |
|---|---|---|
| <p>A VALVES</p> <ul style="list-style-type: none"> <input type="checkbox"/> R Plain valve <input type="checkbox"/> RG No-lead valves¹ <p>B ARRESTER</p> <ul style="list-style-type: none"> <input type="checkbox"/> 0 No arrester <input type="checkbox"/> 1 With arrester | <p>C SUPPLY CONNECTION</p> <ul style="list-style-type: none"> <input type="checkbox"/> M 1/2" female sweat <input type="checkbox"/> C 1/2" male CPVC <input type="checkbox"/> X 1/2" PEX crimp F1807 <input type="checkbox"/> W 1/2" PEX cold expansion F1960 <input type="checkbox"/> V 1/2" Viega PureFlow® PEX <input type="checkbox"/> A 1/2" PEX cold expansion F2080 | <p>ACCESSORIES</p> <ul style="list-style-type: none"> <input type="checkbox"/> 696-EX frame extension <p>¹ Compliant with NSF-61 Annex G and California No Lead Plumbing Law</p> |
|---|---|---|

Fire-Rated Ox Box™

Outlet Box

Design Specification



1 Wall Construction

- a Wood or metal stud construction, max 100 in.² of penetrations per 100 ft² of wall
- b Single-layer 5/8" gypsum construction with 1-hour fire rating
- c Double-layer 5/8" gypsum construction with 2-hour fire rating
- d Boxes cannot be installed back to back

2 Pipe/Box Support

- a Each outlet box must be installed in a separate stud bay and attached to the stud, as shown below in "over-stud" or "separate stud bay" installation examples. Fire rating does not apply to installations of two or more boxes in the same stud bay.
- b Supplied support bar to be installed through at least one box's slotted opening
- c Supply lines to be installed using ordinary methods
- d Drain line to be supported using ordinary methods

3 Pipe Material

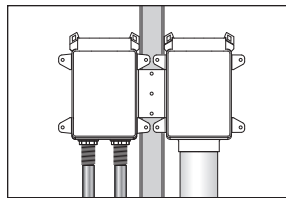
- a 2" or larger metallic, PVC, or ABS DWV pipe
- b Metallic or plastic water supply pipe

4 Firestop Device

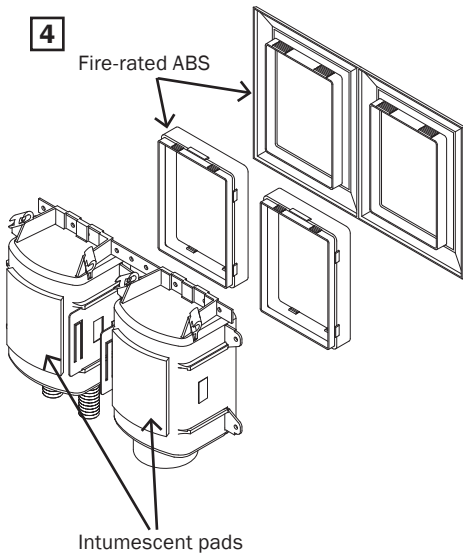
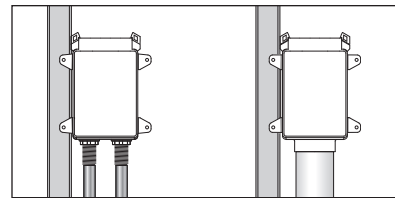
- a Sioux Chief fire-rated Ox Box frame and frame extension are constructed using fire-rated resin. Boxes have 4" x 4" intumescent adhesive pads factory installed on the back of boxes.

NOTE: Gaps up to 1/2" around box can be sealed with drywall plaster. Larger gaps require firestop sealant applied to opening spanning entire drywall depth.

"over stud" installation



"separate stud bay" installation



The Fire-Rated Ox Box is certified by Intertek/Warnock Hersey to the following Fire Rating Standards:

ASTM E-814

2 hours (F), 1½ hours (T)
for 2-hour design
1 hour (F), 31 mins (T)
for 1-hour design

ASTM E119

CAN/ULC S115

2 hours (F), 1½ hours (T)
for 2-hour design
1 hour (F), 31 mins (T)
for 1-hour design

UL 1479



24110 South Peculiar Drive
Peculiar, Missouri 64078
tel: 1-800-821-3944
fax: 1-800-758-5950
www.siouxchief.com

