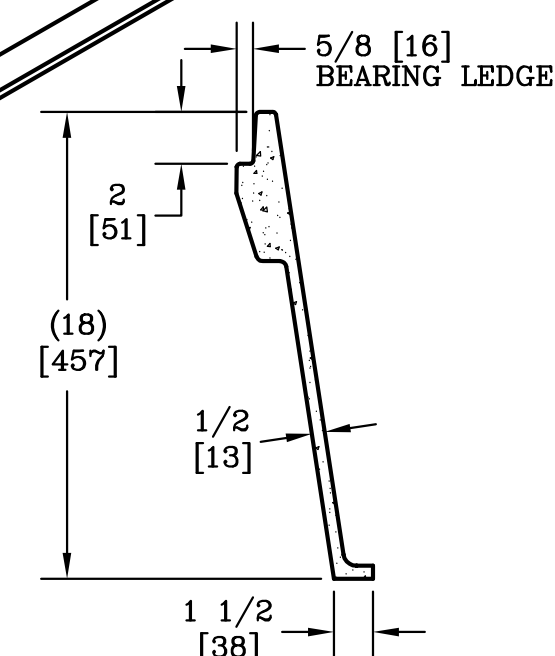
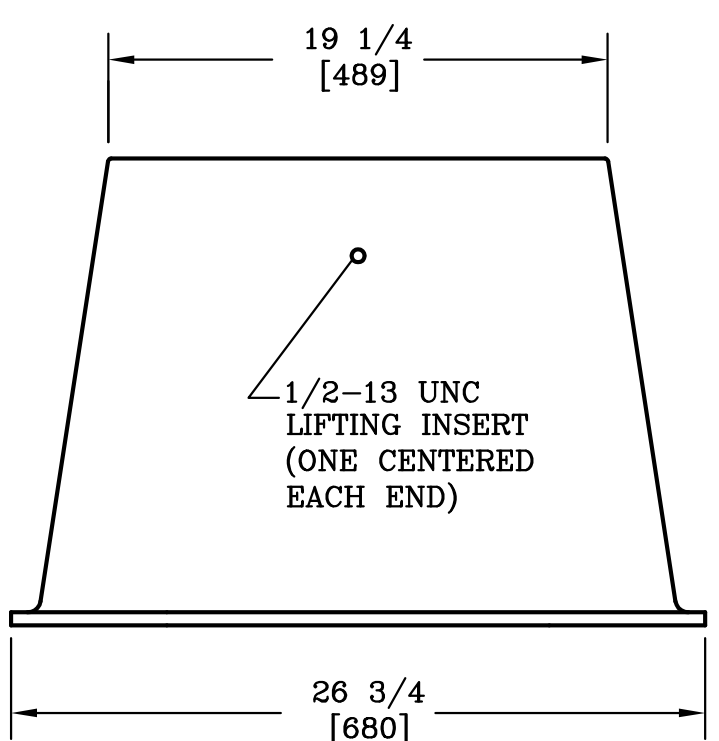
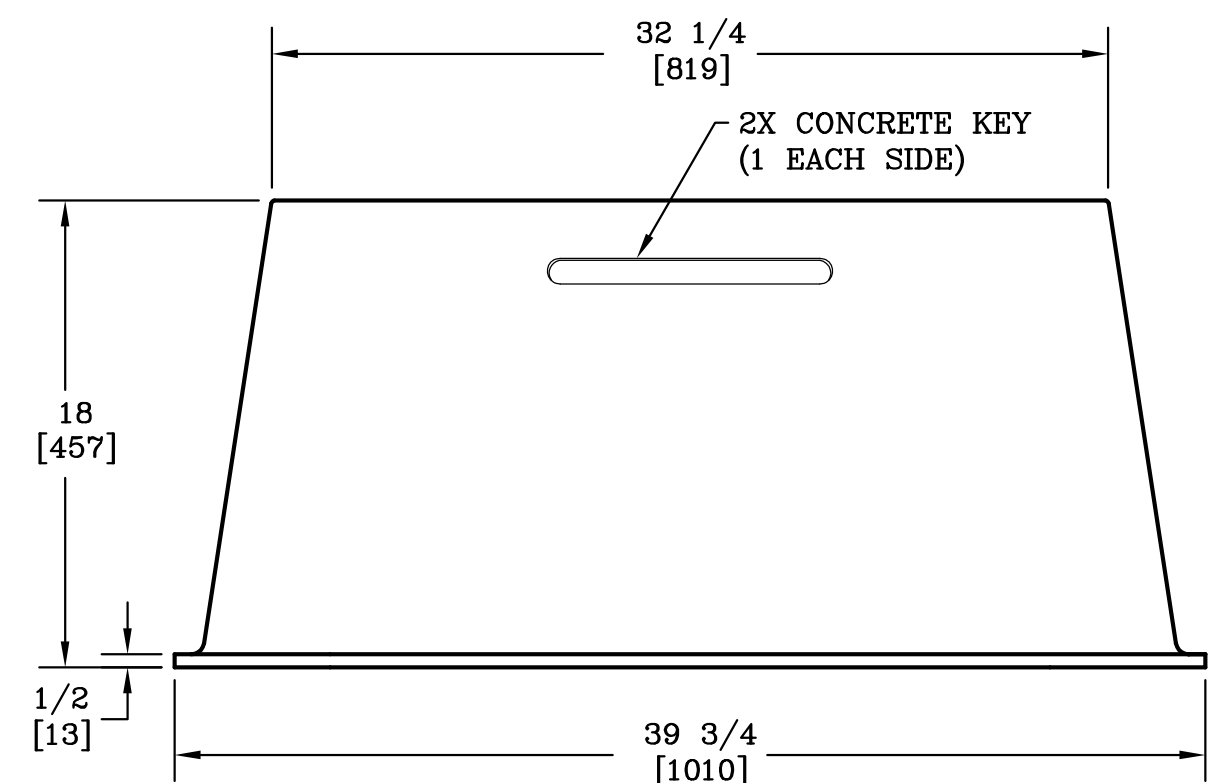


3/8-7 SELF ALIGNING,  
REPLACEABLE S.S. EZ-NUT  
2 PLACES



**SECTION A-A**

**NOTE:**  
1. THIS BOX IS RATED FOR  
ANSI/SCTE 77 2010 TIER 22.



CUSTOMER APPROVAL  
APPROVED BY: \_\_\_\_\_  
DATE: \_\_\_\_\_



DIMENSIONS ARE IN INCHES OR MILLIMETERS IN BRACKETS UNLESS OTHERWISE NOTED.				3621 INDUSTRIAL PARK DR LENOIR CITY, TN 37771 800-346-3062 www.quazite.com		LOC
DRN	BY	DATE	WEIGHT	SCALE	DRAWING DESCRIPTION	S
CHK	ENG	APR	136# 62kg			1 1/2"=1'
APR	APR		SIZE	B	<b>QUAZITE® BOX</b> <b>17 X 30 X 18</b>	<b>E</b>
PROJECT NUMBER			SHEET 1 OF 1		DRAWING NUMBER	
02325					PT1730BA18	