



PIPE CLAMPS

Fig. 520 & 521 STANDARD PIPE CLAMP

Fig. 520* PLAIN

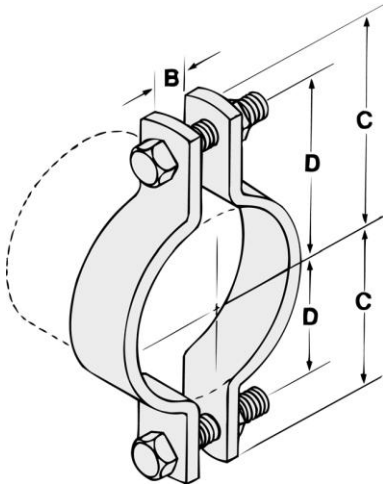
Fig. 521 ELECTRO-GALVANIZED

FUNCTION: Designed to be used in the suspension of non-insulated pipe lines. Normally used in conjunction with Fig. 35 weldless eye nut, Fig. 50 eye rod or Fig. 55 welded eye rod to allow flexibility at the rod attachment.

APPROVALS: Complies with Federal Specifications A-A-1192A (Type 4) and Manufacturers' Standardization Society ANSI/SP-69 and SP-58 (Type 4).

MATERIAL: Low carbon steel

ORDERING: Specify pipe size and figure number.



*Available in stainless steel.
To order, specify 304 or 316 and add suffix SS to figure number.
Price on request.

Pipe Size		B		C		D		Bolt Size	Max. Rec. Load				Wt. Each	
									650°F (343°C)		750°F (399°C)			
									lbs.	kN	lbs.	kN	lbs.	kg
1/2	(15)	3/8	(9.53)	1 9/16	(39.69)	1 1/16	(26.99)	3/8	500	(2.22)	445	(1.98)	.31	(.14)
3/4	(20)	3/8	(9.53)	1 3/4	(44.45)	1 1/4	(31.75)	3/8	500	(2.22)	445	(1.98)	.35	(.16)
1	(25)	3/8	(9.53)	1 7/8	(47.63)	1 3/8	(34.93)	3/8	500	(2.22)	445	(1.98)	.39	(.18)
1 1/4	(32)	3/8	(9.53)	2 1/8	(53.98)	1 5/8	(41.28)	3/8	500	(2.22)	445	(1.98)	.40	(.18)
1 1/2	(40)	3/8	(9.53)	2 1/4	(57.15)	1 3/4	(44.45)	3/8	800	(3.56)	715	(3.18)	.45	(.20)
2	(50)	1/2	(12.70)	2 9/16	(65.09)	2 1/16	(52.39)	1/2	1040	(4.63)	930	(4.14)	.90	(.41)
2 1/2	(65)	5/8	(15.88)	2 13/16	(71.44)	2 5/16	(58.74)	1/2	1040	(4.63)	930	(4.14)	1.10	(.50)
3	(80)	5/8	(15.88)	3 5/16	(84.14)	2 13/16	(71.44)	1/2	1040	(4.63)	930	(4.14)	1.20	(.54)
3 1/2	(90)	5/8	(15.88)	3 1/2	(88.90)	3 3/16	(80.96)	1/2	1040	(4.63)	930	(4.14)	1.25	(.57)
4	(100)	3/4	(19.05)	4 1/8	(104.78)	3 3/8	(85.73)	5/8	1040	(4.63)	930	(4.14)	1.85	(.84)
5	(125)	3/4	(19.05)	4 3/4	(120.65)	4	(101.60)	5/8	1040	(4.63)	930	(4.14)	2.05	(.93)
6	(150)	7/8	(22.23)	5 7/8	(149.23)	4 7/8	(123.83)	3/4	1615	(7.18)	1440	(6.41)	5.06	(2.30)
8	(200)	1	(25.40)	7	(177.80)	6	(152.40)	3/4	1615	(7.18)	1440	(6.41)	6.08	(2.76)
10	(250)	1	(25.40)	8 13/16	(223.84)	7 9/16	(192.09)	7/8	2490	(11.08)	2220	(9.88)	12.81	(5.81)
12	(300)	1	(25.40)	9 7/8	(250.83)	8 7/8	(225.43)	7/8	2490	(11.08)	2220	(9.88)	13.08	(5.93)
14	(350)	1 1/8	(28.58)	11 5/16	(287.34)	9 15/16	(252.41)	7/8	2490	(11.08)	2220	(9.88)	16.70	(7.57)
16	(400)	1 1/8	(28.58)	12 5/8	(320.68)	10 7/8	(276.23)	7/8	2490	(11.08)	2220	(9.88)	23.19	(10.52)
18	(450)	1 1/4	(31.75)	13 3/8	(339.73)	11 5/8	(295.28)	1	3060	(13.61)	2730	(12.14)	33.12	(15.02)
20	(500)	1 3/8	(34.93)	14 5/16	(363.54)	12 9/16	(319.09)	1 1/8	3060	(13.61)	2730	(12.14)	38.66	(17.54)
24	(600)	1 5/8	(41.28)	17 1/4	(438.15)	15 1/2	(393.70)	1 1/4	3060	(13.61)	2730	(12.14)	52.27	(23.71)
30	(750)	2	(50.80)	20 7/8	(530.23)	18 5/8	(473.08)	1 1/2	4000	(17.79)	3520	(15.66)	105.13	(47.69)
36	(900)	2	(50.80)	25 1/4	(641.35)	22 3/4	(577.85)	1 1/2	4000	(17.79)	3520	(15.66)	150.50	(68.04)

Unless otherwise specified, all dimensions on drawings and in charts are in inches and dimensions shown in parentheses are in millimeters.