



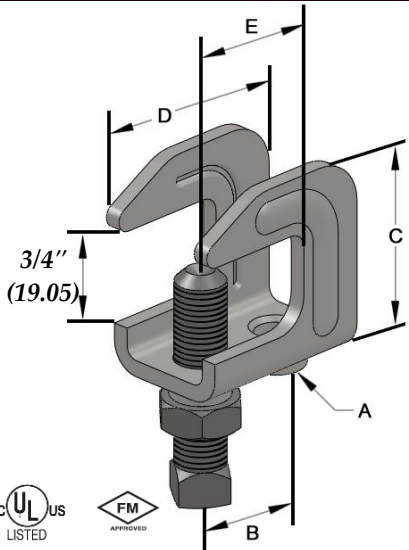
# BEAM CLAMPS

**Fig. 345**  
**TOP BEAM CLAMP**

**FUNCTION:** Designed for attaching a hanger rod to the top flange of a beam or bar joist where the flange thickness does not exceed 3/4 inch (19.05mm). The open U design permits rod adjustment.

**APPROVALS:** Underwriters' Laboratories Listed in the U.S. (UL), Canada (CUL) and Factory Mutual Approved. Complies with Federal Specifications A-A-1192A (Type 19) and Manufacturers' Standardization Society ANSI/SP-69 and ANSI/SP-58 (Type 19).

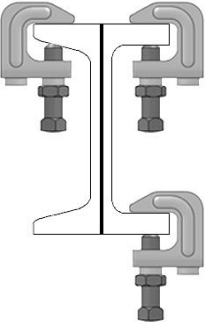
**MATERIAL:** Low carbon steel with hardened steel cup point set screw and locknut  
**FINISH:** Pre-galvanized  
**ORDERING:** Specify figure number.



Rod Size A	B	C	D	E	Max. Pipe Size	Max. Rec. Load		Wt. Each	
						lbs.	kN	lbs.	kg
3/8	3/4 (19.05)	1 9/16 (39.69)	1 1/2 (38.10)	9/16 (14.29)	4 (100)	610	(2.71)	.20	(.09)

Set Screw Torque		
Nominal Thread Size	3/8	
Rec. Torque	in-lbs	60
	N-m	(6.8)

*Note: When a torque wrench is unavailable, the setscrew should be tightened so it contacts the I-beam and then an additional 1/4 to 1/2 turn added.*



**Note:** Set screw must contact the sloped side of the I-beam, channel, or other applicable building structure. Clamp must always be installed in top orientation, with the arrow mark on clamp pointing up. The following illustration displays the only acceptable installation positions. On parallel flange surfaces, the clamp may be attached to the upper or lower flange but must be in the top orientation as shown.

Unless otherwise specified, all dimensions on drawings and in charts are in inches and dimensions shown in parentheses are in millimeters.