



Buy it for looks. Buy it for life.®

Specifications

DESCRIPTION

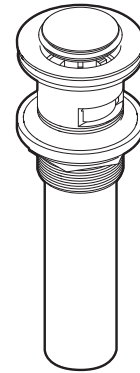
- Metal construction with various finishes identified by suffix
- Spring loaded push button waste assembly
- With overflow
- Ideal for vessel sinks

STANDARDS

- Third party certified to: ASME A112.18.2 and CSA B-125.1 and all applicable requirements referenced therein

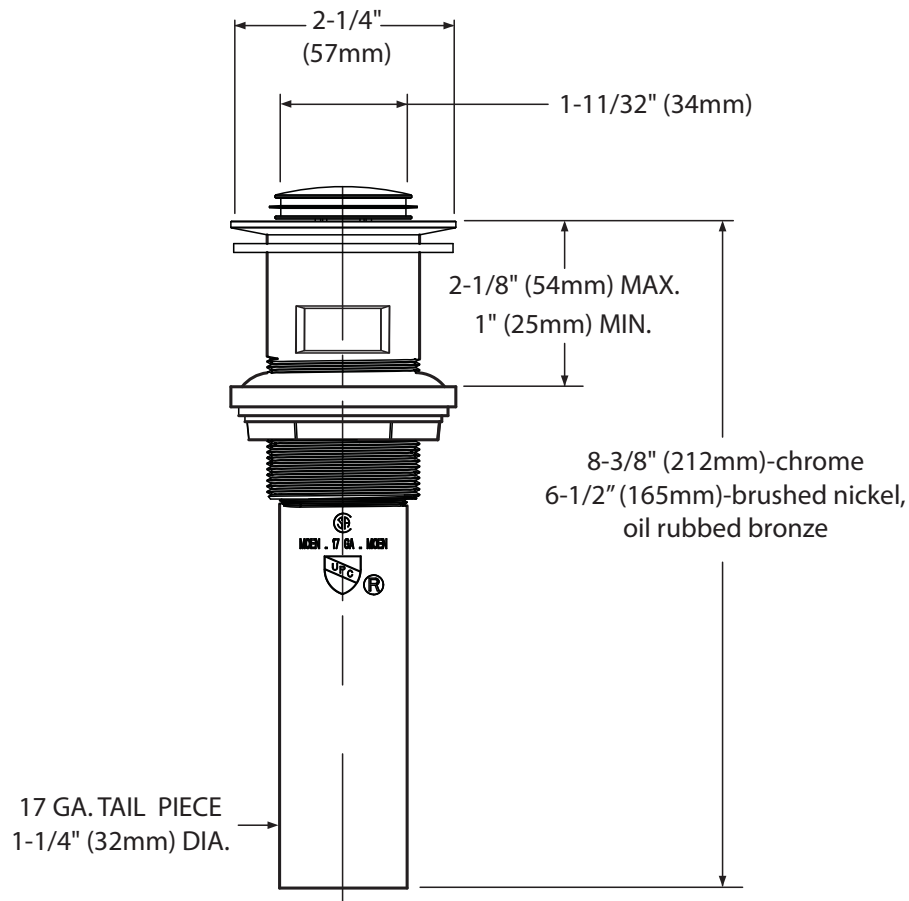
WARRANTY

- Lifetime limited warranty against leaks, drips and finish defects to the original consumer purchaser
- 5 year warranty if used in commercial installations



1-1/4" Push Button Drain with Overflow

Models: 131553 series



CRITICAL DIMENSIONS

(DO NOT SCALE)