

MAAX SUBMITTAL SPECIFICATIONS

Saturna 6036

MODEL NUMBER 106167

DIMENSIONS: 60" x 36" x 20" Acrylic



Project :

Contractor :

MAAX Representative : Tel :

Date :

Vivez l'expérience
MAAX[®]
Enjoy the experience

STANDARD FEATURES

- Oval shape bathtub
- Drop-in installation
- End drain
- No skirt available




OPTIONS

- One chromatherapy light
- Water heater assembly (factory installed)
- Metal trim kit for whirlpool and combined systems
- Metal trim kit for Air Push Control
- Cable-operated waste and overflow
- Foam pillow with 2 suction pads

UNIQUE FEATURES

- None

SYSTEMS

-  MAAX Professional Whirlpool
-  Aeroeffect **DOOR**
-  Combined Whirlpool/Aeroeffect

SELECTION

Combine with MAAX's complete shower door offering visit www.maax.com

CERTIFICATIONS

Maax products adhere to one or more of the following certifications:



www.maax.com

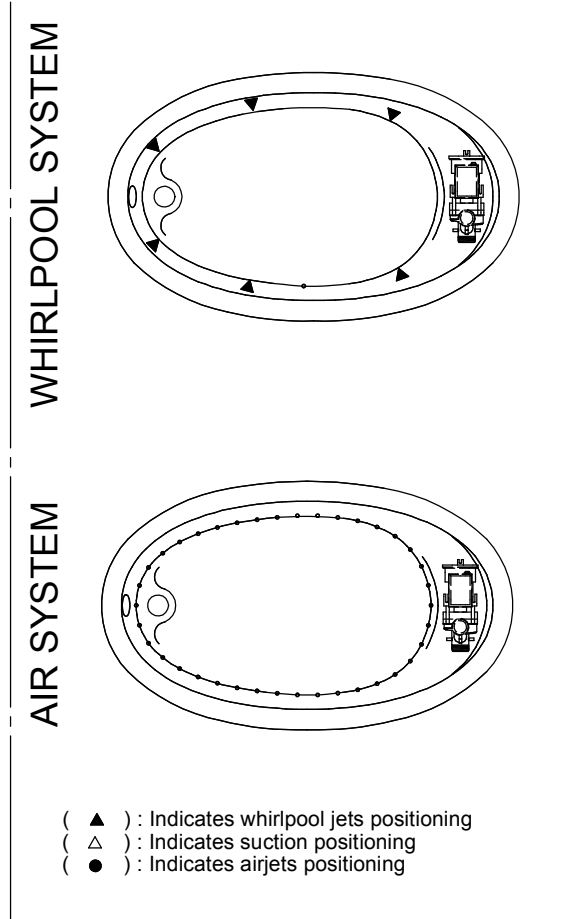
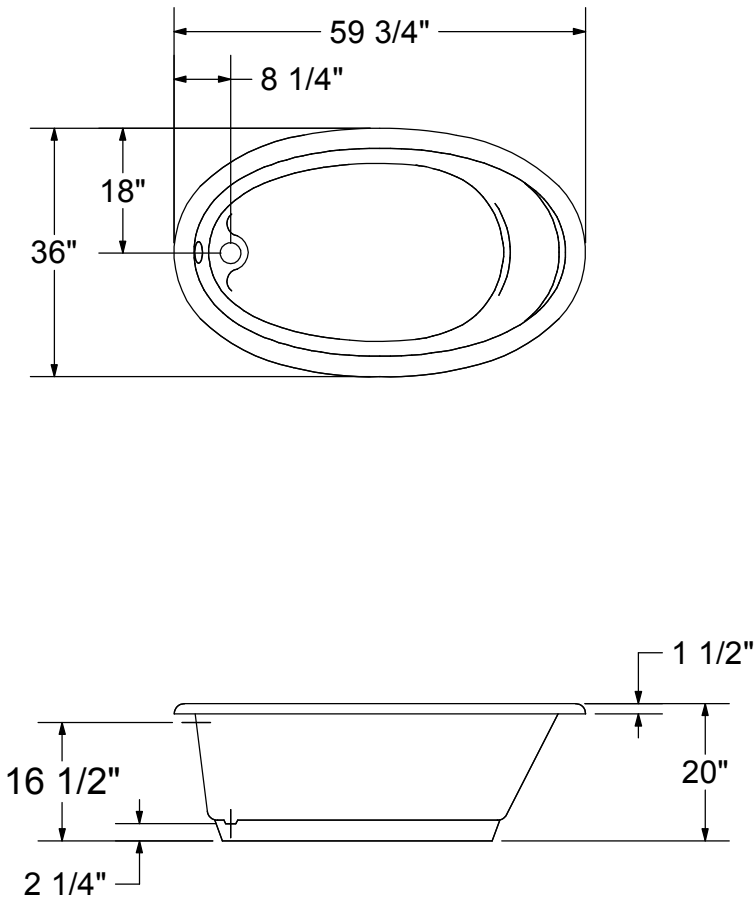
2017-11-09

MAAX SUBMITTAL SPECIFICATIONS

Saturna 6036

MODEL NUMBER 106167

TECHNICAL DRAWINGS



All dimensions are approximate.
 Structure measurement must be verified against the unit to ensure proper fit.