

SUBMITTAL SHEET

JOB NAME _____ ITEM TAG _____

JOB LOCATION _____ PART NUMBER _____

CONTRACTOR _____ DATE _____

ENGINEER APPROVAL _____ DATE _____

LEAD FREE COMPACT WATER PRESSURE REDUCING VALVE

T-6801 No Lead

Lead-free design is suitable for all State and Federal Public Law (111-380) potable water installations

Protects water distribution systems by reducing incoming water pressure

Factory pre-set at 50 psi outlet pressure. See IOM for adjustment procedure

Adjustable outlet pressure range: 25 to 75 psi

Can be installed vertically or horizontally

Equipped with an internal thermal expansion bypass

Integral strainer screen protects internal components from pipeline debris and premature failure

Union inlet connection permits ease-of-installation and repair

Working Pressure, Non-Shock (PSI)

Cold working pressure (CWP): 300 PSI

Maximum service temperature: 180° F

- Third-party tested and certified in compliance with current State and National (U.S. Federal Public Law 111-380) lead-free plumbing laws

- Truesdail Labs certified to ANSI / NSF 61-G

- ASSE 1003 Certified

- CSA B356 Certified

- IAPMO / UPC Certified

Maximum flow capacity*

1/2" at 16.7 GPM

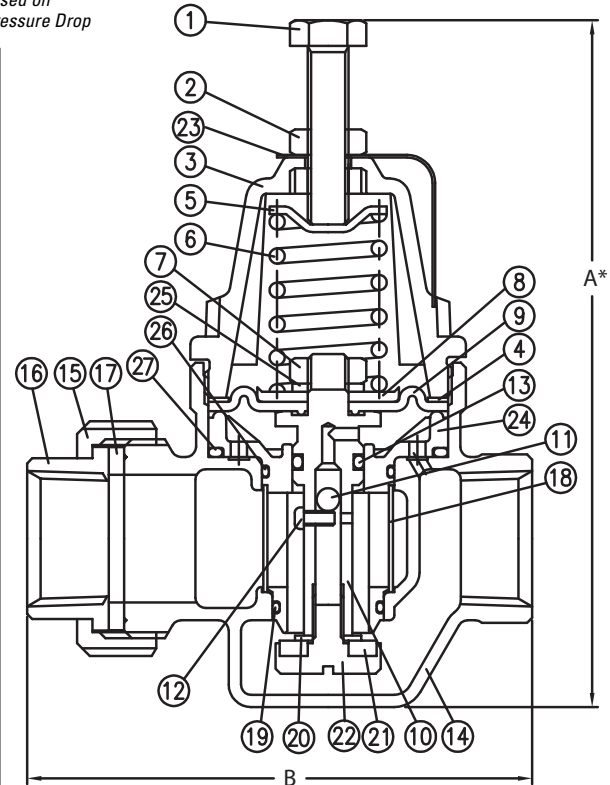
3/4" at 16.7 GPM

1" at 25 GPM

*GPM based on 25 PSI Pressure Drop



MATERIAL SPECIFICATION		
PART	MATERIAL	SPECIFICATION
1	Adjustment bolt	Cadmium plated steel ASTM A283-D
2	Lock nut	Cadmium plated steel AISI-1010
3	Bonnet	Polycarbonate resin, glass-fiber reinforced Commercial grade
4	Anti-friction ring	Stainless steel AISI 304
5	Spring disc	Zinc plated steel ASTM A283-D
6	Spring	Cold-drawn steel wire ASTM A227M-91
7	Diaphragm nut	Cadmium plated steel AISI-1010
8	Diaphragm disc	Zinc plated steel ASTM A283-D
9	Diaphragm	Reinforced NBR (Buna-N) rubber Commercial grade, Nylon-reinforced
10	Stem	Lead-free forged brass UNS Alloy C46400
11	Check-ball	NBR (Buna-N) rubber Commercial grade
12	Ball retaining screw	Stainless steel AISI 304
13	Stem O-ring	NBR (Buna-N) rubber Commercial grade
14	Body	Lead-free cast brass UNS Alloy C87850 Eco brass
15	Union nut	Cast brass ASTM B584 UNS C85700
16	Union tailpiece	Lead-free forged brass UNS Alloy C46400
17	Union washer	NBR (Buna-N) rubber Commercial grade
18	Strainer screen	Stainless steel AISI 304
19	Seat O-ring	NBR (Buna-N) rubber Commercial grade
20	Plunger washer	Stainless steel AISI 304
21	Plunger seat	NBR (Buna-N) rubber Commercial grade
22	Plunger	Lead-free forged brass UNS Alloy C46400
23	Identification plate	Aluminum ASTM B209 1100
24	Carrier sleeve	Polycarbonate resin Commercial grade
25	Spring washer	Cold-drawn steel ASTM A227M-91
26	Body-sleeve O-ring	NBR (Buna-N) rubber Commercial grade
27	Upper sleeve O-ring	NBR (Buna-N) rubber Commercial grade



DIMENSIONS		
Size	A*	B
1/2"	5.24	3.90
3/4"	5.24	3.90
1"	5.28	4.53

Pictured T-6801NL
Cut away view

* Height of "A" dimension is based on the factory setting of 50 PSI