

SUBMITTAL SHEET

JOB NAME	ITEM TAG
JOB LOCATION	PART NUMBER
CONTRACTOR	DATE
ENGINEER APPROVAL	DATE

LEAD-FREE BRONZE IN-LINE CHECK VALVE

T-450NL

Lead-free design is suitable for all no-lead potable water installations, in full compliance of all lead-free plumbing laws.

Durable, heavy-wall cast bronze design is ideal for water well applications

Spring-loaded stem-disc and elastomer O-ring seal are a silent closure design.

1/2-pound cracking pressure is ideal for all types of well pumps.

Fully-guided stem minimizes over-travel, reducing the chance of piston failure.

Can be installed in the vertical or horizontal positions.

Available in nominal 1/2" through 4" sizes - FNPT.

- Third-party tested and certified in compliance with U.S. Federal Public Law 111-380 (National lead-free plumbing law).
- Threaded end connections comply with ANSI / ASME B1.20.1
- Manufactured in an ISO-9002 Certified Facility
- Meets NSF 372 Lead content requirements



Pictured T-450NL



Working Pressure, Non-Shock (PSI)

Cold working pressure (CWP): 200

Saturated steam (WSP): Not suitable for steam service

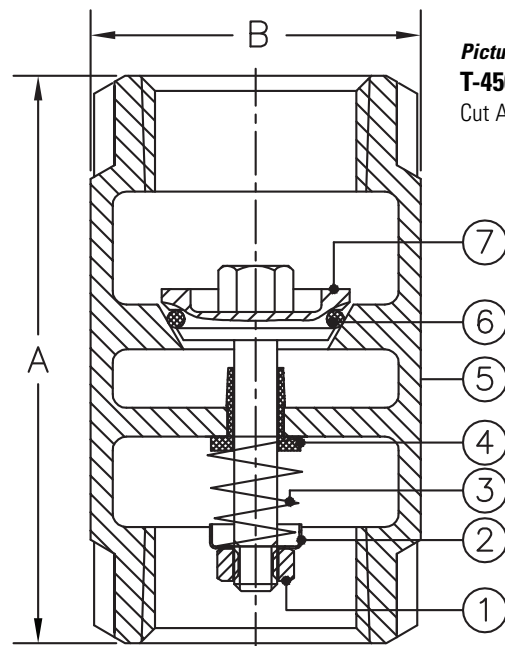
Maximum service temperature: 200° F

MATERIAL SPECIFICATION

PART	MATERIAL	SPECIFICATION
1 Stem nut	Stainless steel	AISI 304
2 Spring cup	Stainless steel	AISI 304
3 Spring	Stainless steel	AISI 304
4 Stem guide	Polyacetal resin	Celcon M90
5 Body	Lead-free cast bronze	UNS Alloy C87850
6 O-ring	Buna-N (NBR) rubber	SAE no. 1052
7 Stem-disc	Lead-free cast bronze	UNS Alloy C87850

DIMENSIONS

Size	A	B	Wt (lb.)
1/2"	2.40	1.26	0.60
3/4"	2.74	1.50	0.73
1"	3.23	1.77	1.04
1-1/4"	3.62	2.13	1.44
1-1/2"	4.04	2.36	1.75
2"	5.04	3.03	3.58
3"	7.28	4.21	8.38
4"	10.24	5.55	18.00



Pictured T-450NL Cut Away