

# Snap 'N Seal® Basket Strainer

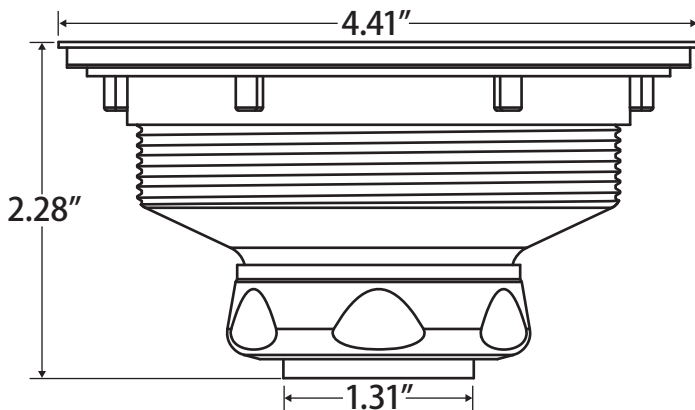
## 400 Grade Stainless Steel Sink Strainer



**SS-430**

The Snap 'N Seal® is a high quality economic designer series choice that seals with a simple rubber stopper design. Both the body and basket are constructed of stainless steel, while the hand knob is chrome plated ABS plastic. It comes standard with a brass tail nut and a large zinc lock nut.

**Fits sinks which have a thickness between 1/16" and 3/4"**



No.	Materials
	<b>300-013</b>
1	Handle
2	Strainer Basket
3	Body
4	Rubber Washer
5	Lock Nut
6	Seal Ring
7	Tail Nut

Note: Includes friction ring