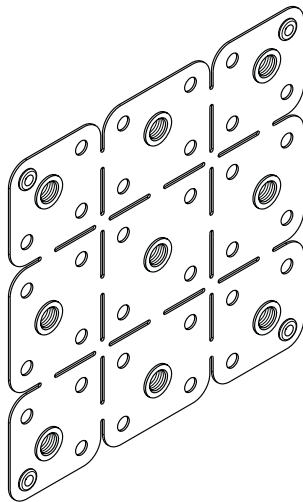
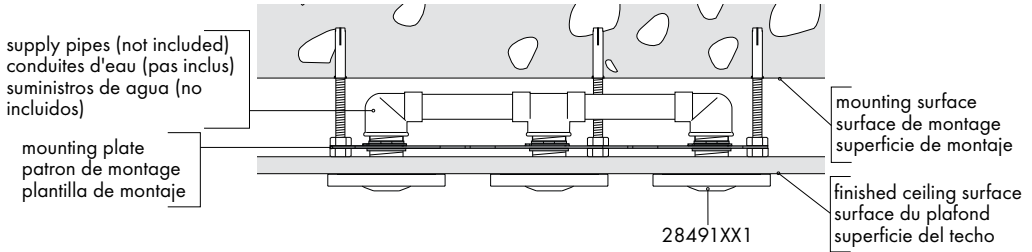
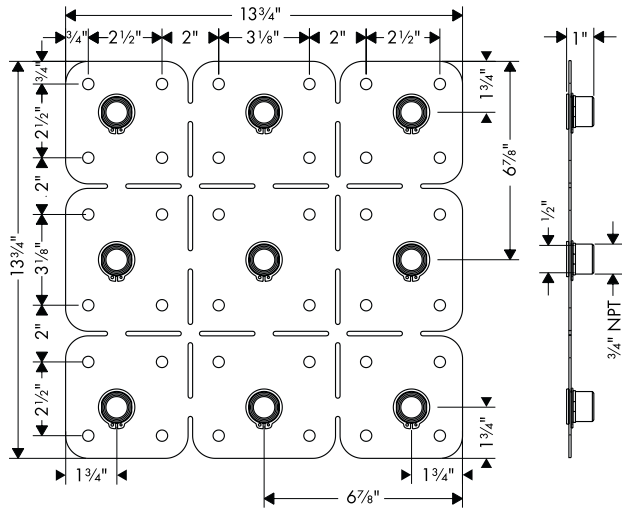
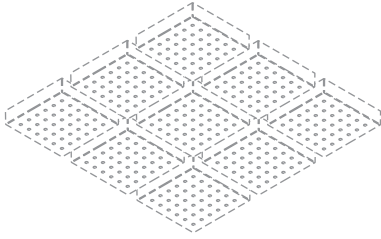


# Installation Instructions / Warranty



**Starck**  
28470181

**AXOR**<sup>®</sup>  
hansgrohe



## Installation Considerations

- For best results, Hansgrohe recommends that this unit be installed by a licensed, professional plumber.
- Please read over these instructions thoroughly before beginning installation. Make sure that you have all tools and supplies needed to complete the installation.
- To prevent scald injury, the maximum output temperature of the shower valve must be no higher than 120°F. In Massachusetts, the maximum output temperature of the shower valve can be no higher than 112°F.
- This mounting plate is for use with up to 9 Axor Starck 28491XX1 shower modules in a ceiling installation.
- The inlets on this mounting plate are 3/4" NPT male.
- Keep this booklet and the receipt (or other proof of date and place of purchase) for this product in a safe place. The receipt is required should it be necessary to request warranty parts.

## À prendre en considération pour l'installation

- Pour de meilleurs résultats, Hansgrohe recommande que ce produit soit installé par un plombier professionnel licencié.
- Veuillez lire attentivement ces instructions avant de procéder à l'installation. Assurez-vous de disposer de tous les outils et du matériel nécessaires pour l'installation.
- Pour empêcher des blessures par ébouillement, la température de sortie maximale du robinet de douche ne doit pas excéder 120 °F. Au Massachusetts, la température de sortie maximale du robinet de douche ne doit pas excéder 112 °F.
- Conservez ce livret et le reçu (ou une autre preuve sur laquelle figurent la date et l'endroit de l'achat) pour ce produit dans un endroit sûr. Le reçu est requis si vous commandez des pièces sous garantie.

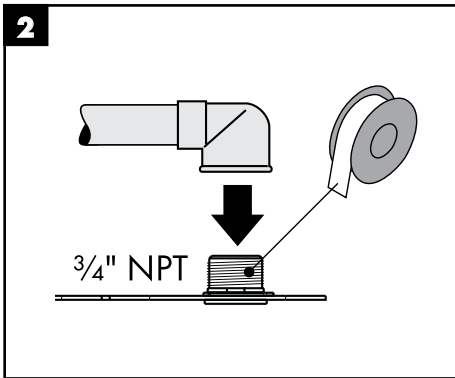
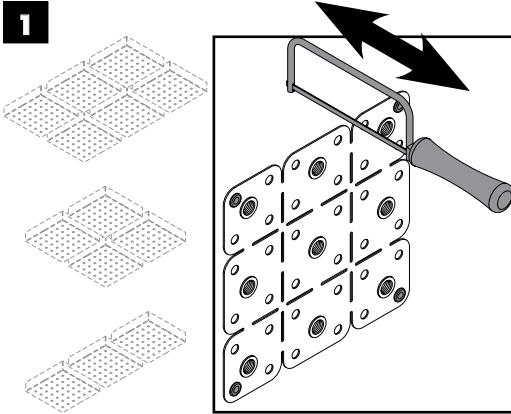
## Consideraciones para la instalación

- Para obtener mejores resultados, la instalación debe estar a cargo de un plomero profesional matriculado.
- Antes de comenzar la instalación, lea estas instrucciones detenidamente. Asegúrese de tener las herramientas y los insumos necesarios para completar la instalación.
- Para evitar escaldaduras, la máxima temperatura de salida de la válvula de la ducha no debe exceder los 120 °F. En Massachusetts, la máxima temperatura de salida de la válvula de la ducha no debe exceder los 112 °F.
- Mantenga este folleto y el recibo (u otro comprobante del lugar y fecha de compra) de este producto en lugar seguro. El recibo se requiere en caso de ser necesario solicitar piezas bajo garantía.

## English

### Installation

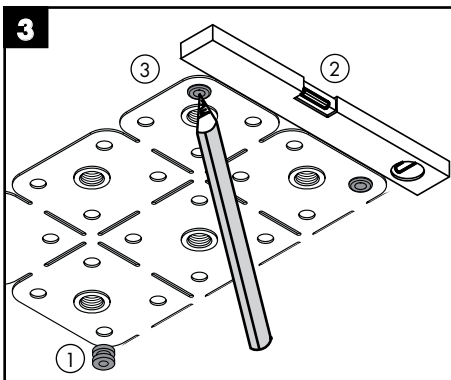
If fewer than 9 shower modules are to be installed, remove the extra mounting plate pieces.



Install the supply pipes (not included) on the mounting plate\*.

The inlets on the mounting plate are  $\frac{3}{4}$ " NPT.

\*The actual configuration of the supply pipes will vary, depending on how the homeowner wishes to control the shower modules. If you have questions regarding a specific installation, contact Hansgrohe Technical Service



Install the noise reducers on the mounting plate (1).

Position the mounting plate on the mounting surface.

Make sure that the mounting plate is level (2).

Mark the positions of the mounting screws (3).

Installez les conduites (pas inclus) d'eau sur le patron de montage.

Les orifices d'arrivées sont  $\frac{3}{4}$  po NPT.

Installez les amortisseurs anti-coup de bélier (1).

Disposez le patron de montage.

Assurez-vous que le patron de montage est de niveau (2).

Marquez les position des trous de vissage (3).

Instale los suministros de agua (no incluidos) en la plantilla de montaje.

Las entradas son  $\frac{3}{4}$ " NPT.

Instale los silenciadores (1).

Posicione la plantilla de montaje.

Asegúrese de que la plantilla quede nivelada (2).

Marque las posiciones de los orificios para tornillos (3).

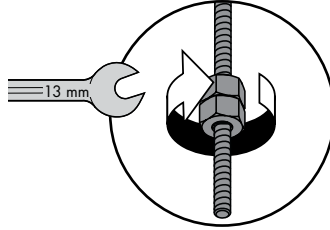
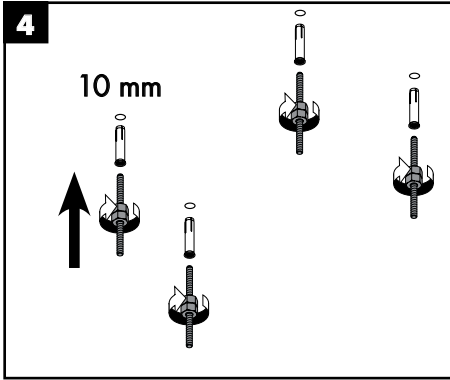
## English

Drill the screw holes using a 10 mm bit.

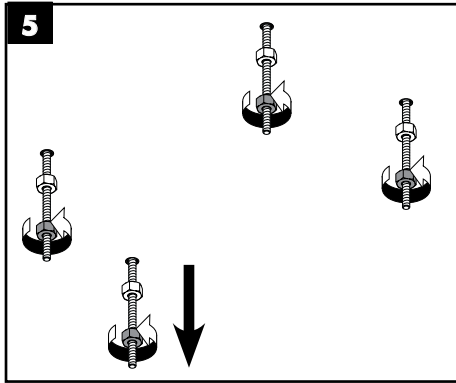
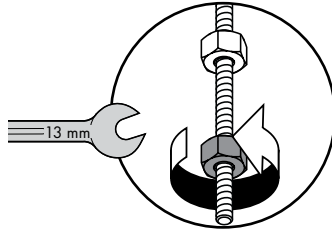
Install the anchors.

Install two nuts on each threaded rod.

Install the threaded rods in the anchors.



Remove one nut from each rod.

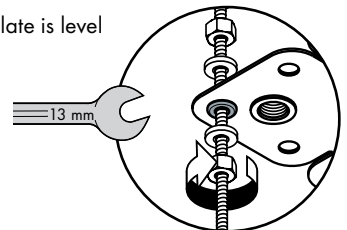
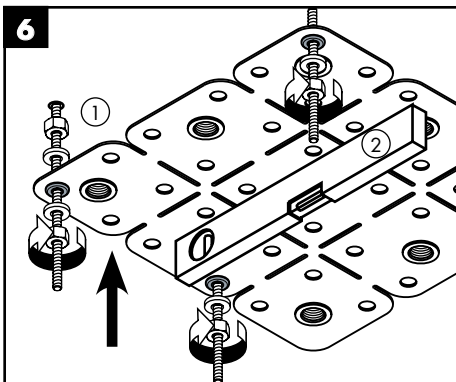


Install one washer on each rod.

Push the mounting plate over the rods.

Secure the mounting plate using the remaining nuts and washers (1).

Confirm that the plate is level (2).



## Français

Percez les trous aux endroits marqués l'aide d'un foret de 10 mm.

Installez les chevilles.

Installez deux écrous sur chacune des vis.

Installez les vis sur les chevilles.

Retirez un écrou de chacune des vis.

Installez une rondelle sur chacune des vis.

Poussez le patron de montage contre le plafond.

Installez une rondelle et un écrou de chacune des vis (1).

Assurez-vous que le patron de montage est de niveau (2).

## Español

Perfore los orificios indicados con una broca de 10 mm.

Instale los tarugos de anclaje.

Instale dos tuercas en cada uno de los tornillos.

Instale los tornillos en los tarugos de anclaje.

Retire una tuerca de cada uno de los tornillos.

Instale una arandela de cada uno de los tornillos.

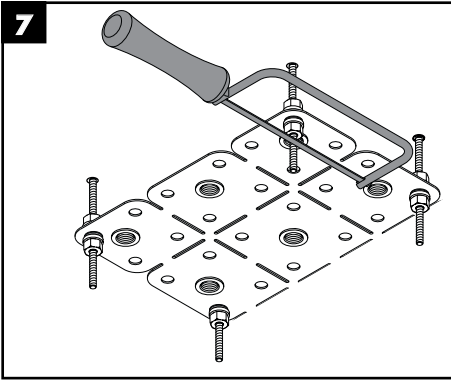
Presione la plantilla contra el cielo raso.

Instale una arandela y una tuerca en cada uno de los tornillos (1).

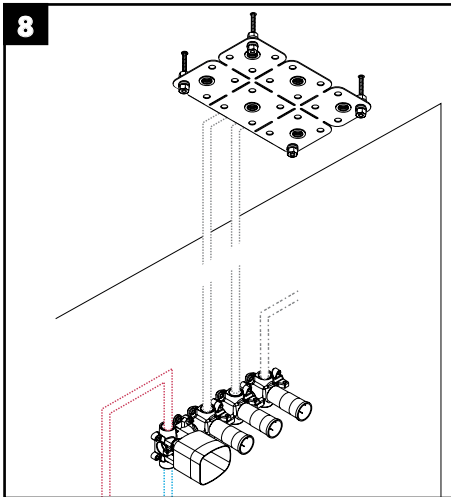
Asegúrese de que la plantilla quede nivelada (2).

## English

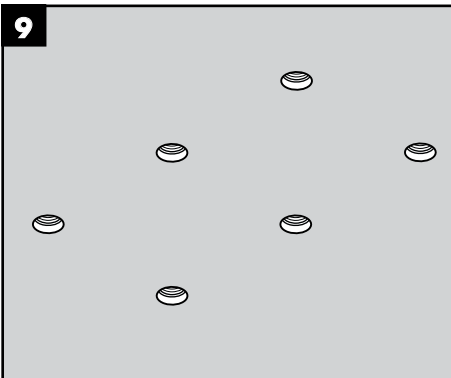
Cut the rods flush with the nuts.



Connect the supply lines to the valves (not included).



Install the finished ceiling material.





## **Français**

Coupez les vis.

Connectez les conduites d'eau sur les robinets (pas inclus).

Installez le plafond fini.

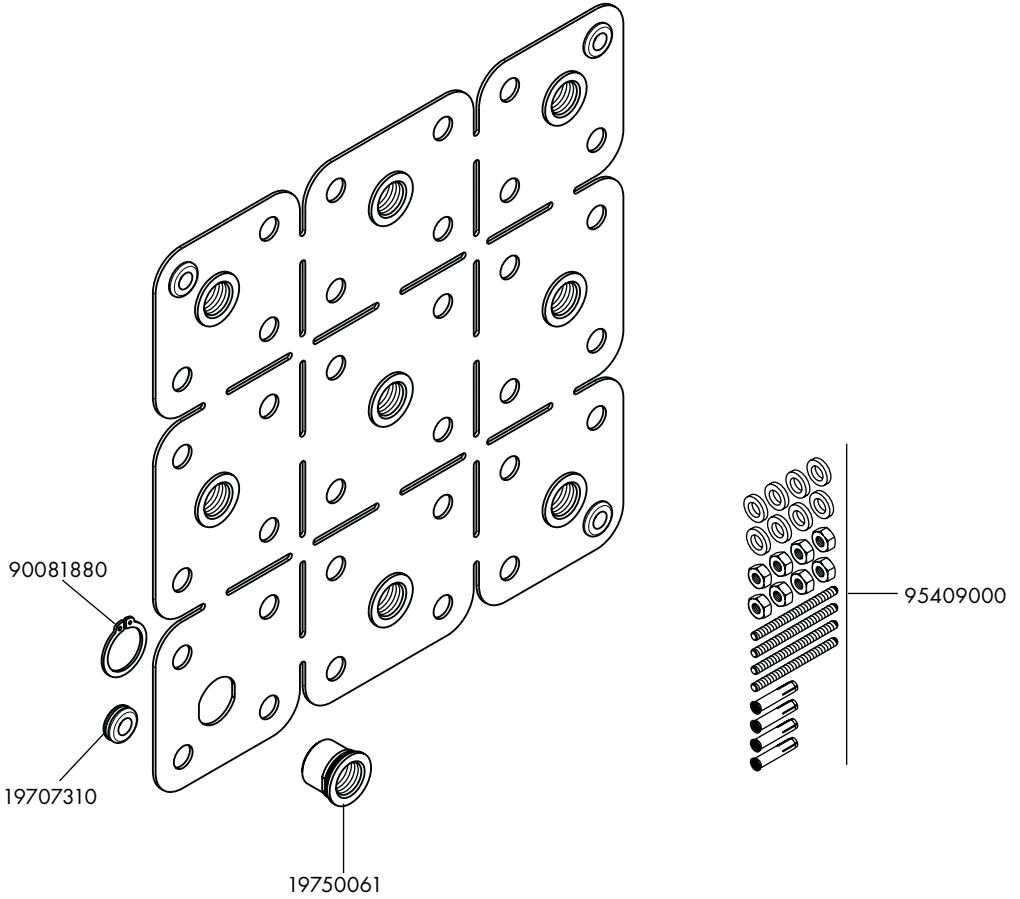
## **Español**

Corte los tornillos.

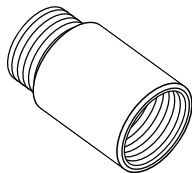
Conecte los suministros de agua a las válvulas (no incluidos).

Instale el acabado del cielo raso.

# Replacement Parts / Pièces détachées / Repuestos



**Note:** If the finished ceiling is sufficiently thick that the nipple on the 28491XX1 shower module cannot connect securely to the mounting plate, order one #95413000 extension for each shower module from your dealer.



# Limited Lifetime Consumer Warranty

This product has been manufactured and tested to the highest quality standards by Hansgrohe, Inc. ("Hansgrohe"). This warranty is limited to Hansgrohe products which are purchased by a consumer in the United States after March 1, 1996, and installed in either the United States or Canada.

## WHO IS COVERED BY THE WARRANTY

This warranty extends to the original consumer purchaser only. This warranty is non-transferable.

## WHAT IS COVERED BY THE WARRANTY

This warranty covers only your Hansgrohe manufactured product. Hansgrohe warrants this product against defects in material or workmanship as follows: Hansgrohe will repair at no charge for parts only or, at its option, replace any product or part of the product that proves defective because of improper workmanship and/or material, under normal installation, use, service and maintenance. If Hansgrohe is unable to provide a replacement and repair is not practical or cannot be timely made, Hansgrohe may elect to refund the purchase price in exchange for the return of the product.

## LENGTH OF WARRANTY

Replacement or repaired parts of products will be covered for the term of this warranty as stated in the following two sentences. If you are a consumer who purchased the product for use primarily for personal, family, or household purposes, this warranty extends for as long as you own the product and the home in which the product is originally installed. If you purchased the product for use primarily for any other purpose, including, without limitation, a commercial purpose, this warranty extends only (i) for 1 year, with respect to Hansgrohe and Commercial products, and (ii) for 5 years, with respect to AXOR products.

## THIS WARRANTY DOES NOT COVER, AND HANSGROHE WILL NOT PAY FOR:

- A. Conditions, malfunctions or damage not resulting from defects in material or workmanship.
- B. Conditions, malfunctions or damage resulting from (1) normal wear and tear, improper installation, improper maintenance, misuse, abuse, negligence, accident or alteration, or (2) the use of abrasive or caustic cleaning agents or "no-rinse" cleaning products, or the use of the product in any manner contrary to the product instructions. (3) Conditions in the home such as excessive water pressure or corrosion.
- C. Labor or other expenses for the disconnection, deinstallation, or return of the product for warranty service, or for installation or reinstallation of the product (including but not limited to proper packaging and shipping costs), or for installation or reinstallation of the product.
- D. Accessories, connected materials and products, or related products not manufactured by Hansgrohe.

## TO OBTAIN WARRANTY PARTS OR INFORMATION

Contact your Hansgrohe retailer, or contact Technical Service at:

Hansgrohe Inc.  
1492 Bluegrass Lakes Parkway  
Alpharetta GA 30004  
Toll-free (800) 334-0455.

In requesting warranty service, you will need to provide

1. The sales receipt or other evidence of the date and place of purchase.
2. A description of the problem.
3. Delivery of the product or the defective part, postage prepaid and carefully packed and insured, to Hansgrohe Inc. 1492 Bluegrass Lakes Parkway, Alpharetta, Georgia 30004, Attention: Technical Service, if required by Hansgrohe.

When warranty service is completed, any repaired or replacement product or part will be returned to you postage prepaid.

## EXCLUSIONS AND LIMITATIONS

REPAIR OR REPLACEMENT (OR, IN LIMITED CIRCUMSTANCES, REFUND OF THE PURCHASE PRICE) AS PROVIDED UNDER THIS WARRANTY IS THE EXCLUSIVE REMEDY OF THE PURCHASER. HANSGROHE NEITHER ASSUMES NOR AUTHORIZES ANY PERSON TO CREATE FOR IT ANY OBLIGATION OR LIABILITY IN CONNECTION WITH THIS PRODUCT.

HANSGROHE SHALL NOT BE LIABLE TO PURCHASER OR ANY PERSON FOR ANY INCIDENTAL, SPECIAL, OR CONSEQUENTIAL DAMAGES, ARISING OUT OF BREACH OF THIS WARRANTY OR ANY IMPLIED WARRANTY (INCLUDING MERCHANTABILITY).

Some States do not allow the exclusion or limitation of incidental or consequential damages, so the above limitation or exclusion may not apply to you. This warranty gives you specific legal rights, and you may have other rights which vary from State to State. You may be required

by law to give us a reasonable opportunity to correct or cure any failure to comply before you can bring any action in court against us under the Magnuson-Moss Warranty Act.

#### PRODUCT INSTRUCTIONS AND QUESTIONS

Upon purchase or prior to installation, please carefully inspect your Hansgrohe product for any damage or visible defect. Prior to installing, always carefully study the enclosed instructions on the proper installation and the care and maintenance of the product. If you have questions at any time about the use, installation, or performance of your Hansgrohe product, or this warranty, please call or write to us or call us toll-free at 800 334 0455.

**hansgrohe**

Hansgrohe, Inc. • 1490 Bluegrass Lakes Parkway • Alpharetta, GA 30004  
Tel. 770-360-9880 • Fax 770-360-9887

[www.hansgrohe-usa.com](http://www.hansgrohe-usa.com)