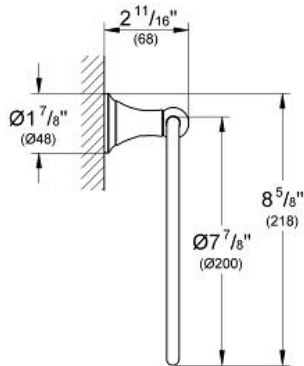


SEABURY  
Towel Ring  
MODEL # 40158EN0

Pure Freude an Wasser



GROHE America, Inc | 200 North Gary Avenue, Suite G, Roselle, IL 60172  
Phone: +1 (800) 444-7643 | Fax: +1 (800) 225-2778 | us-customerservice@grohe.com



**Product Description:**  
Towel Ring

**Standard Specification:**  
• GROHE StarLight® finish

**Applicable Codes & Standards:**  
• Energy Policy Act of 1992  
• ASME A112.18.1/CSA B125.1

**Color:**  
□ 40158EN0 EN0 brushed nickel