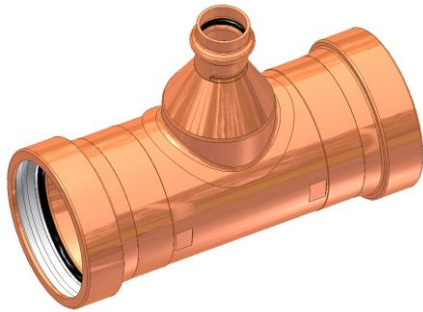


# SUBMITTAL SHEET

## 811-R Large-Small Diameter Series

APOLLOXPRESS® Press End Copper Tee  
Reducing Outlet CxCxC (2 1/2" x 1/2" through 4" x 2")



Job Name:	
Job Location:	
Engineer:	
Contractor:	
Tag:	
PO Number:	
Representative:	
Wholesale Distributor:	



### DESCRIPTION

The APOLLOXPRESS® 811-R Large-Small Diameter Press Reducing Outlet Tee features a Lead-Free dezincification resistant copper body, a patented stainless-steel solid cross-section Grab Ring, a Nylon Separation Ring and an EPDM O-Ring. Our Large Diameter APOLLOXPRESS® products are manufactured utilizing proven ASTM materials and standards. Proudly Made In The USA.

### FEATURES

- Lead-Free Construction
- Leak-Before-Press Technology
- Visual element, Break Away Band (Pat. Pending)
- Compatible with XL-C™ & Pro-Press Pressing Tools
- Approved for underground installation (per local installation code)
- Use with hard/soft ASTM B88 K, L & M Copper Tube
- Made in USA
- cUPC® Compliant
- ARRA Compliant

### PERFORMANCE RATING

- Maximum Pressure: 200 psi
- Temperature Range: 0°F to 250°F depending on application. Hot Water up to 250°F, Chilled Water down to 33°F

### APPROVALS

- NSF/ANSI NSF 61 – Water Quality
- NSF/ANSI NSF-372 – Lead Free (LF)
- IAPMO File Listings: 4861, 6174 & N-4951

### APOLLOXPRESS

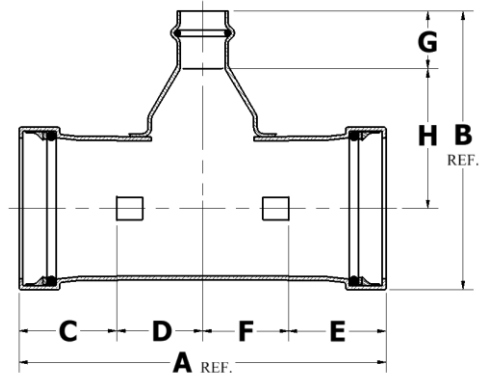
- Large Diameter Sizes 2 1/2" x 1/2" through 4" x 2"
- Model 811-R, Reducing Outlet Tee

### STANDARD MATERIALS

Part Name	Material
Body	UNS C12200 Copper
Grab Ring	304 / 306 Stainless Steel
Spacer Ring	Nylon 66
O-Ring	EPDM
Lubrication	Silicone, ANSI/NSF-61 Listed

### DIMENSIONS

Item No.	Description	Dimension (in.)											(lb.)
		A	B	C*	D**	E*	F**	G*	H**	Height	Width	Depth	
10068042	811 2½x2½x½ CxCxC	7.15	5.58	1.90	1.67	1.90	1.67	0.85	3.12	5.58	7.15	3.16	1.93
10068045	811 2½x2½x¾ CxCxC	7.15	5.42	1.90	1.67	1.90	1.67	0.89	2.95	5.42	7.15	3.16	1.92
10068048	811 2½x2½x1 CxCxC	7.15	5.21	1.90	1.67	1.90	1.67	0.97	2.66	5.21	7.15	3.16	1.94
10068051	811 2½x2½x1¼ CxCxC	7.15	4.58	1.90	1.67	1.90	1.67	1.09	1.92	4.58	7.15	3.16	1.80
10068054	811 2½x2½x1½ CxCxC	7.15	4.83	1.90	1.67	1.90	1.67	1.47	1.78	4.83	7.15	3.16	1.98
10068057	811 2½x2½x2 CxCxC	7.15	5.08	1.90	1.67	1.90	1.67	1.59	1.92	5.08	7.15	3.16	2.08
10068060	811 3x3x½ CxCxC	7.95	6.21	2.10	1.87	2.10	1.87	0.85	3.53	6.21	7.95	3.68	2.73
10068063	811 3x3x¾ CxCxC	7.95	6.05	2.10	1.87	2.10	1.87	0.89	3.33	6.05	7.95	3.68	2.71
10068066	811 3x3x1 CxCxC	7.95	5.84	2.10	1.87	2.10	1.87	0.97	3.04	5.84	7.95	3.68	2.75
10068069	811 3x3x1¼ CxCxC	7.95	5.09	2.10	1.87	2.10	1.87	1.04	2.21	5.09	7.95	3.68	2.58
10068072	811 3x3x1½ CxCxC	7.95	5.34	2.10	1.87	2.10	1.87	1.43	2.07	5.34	7.95	3.68	2.74
10068075	811 3x3x2 CxCxC	7.95	5.59	2.10	1.87	2.10	1.87	1.59	2.17	5.59	7.95	3.68	2.87
10068078	811 4x4x½ CxCxC	9.84	7.33	2.50	2.42	2.50	2.42	0.85	4.13	7.33	9.84	4.70	4.93
10068081	811 4x4x¾ CxCxC	9.84	7.17	2.50	2.42	2.50	2.42	0.89	3.93	7.17	9.84	4.70	4.96
10068084	811 4x4x1 CxCxC	9.84	6.96	2.50	2.42	2.50	2.42	0.97	3.64	6.96	9.84	4.70	4.98
10068087	811 4x4x1¼ CxCxC	9.84	6.10	2.50	2.42	2.50	2.42	1.04	2.71	6.10	9.84	4.70	4.82
10068090	811 4x4x1½ CxCxC	9.84	6.35	2.50	2.42	2.50	2.42	1.43	2.57	6.35	9.84	4.70	4.98
10068093	811 4x4x2 CxCxC	9.84	6.60	2.50	2.42	2.50	2.42	1.59	2.67	6.60	9.84	4.70	5.08



\* Tolerance +/- .02"

\*\* Tolerance +.15 / -.03

Elkhart Products Corporation  
1255 Oak Street, Elkhart, IN 46514  
www.elkhartproducts.com | (574) 264-3181

