

MultiChoice® Universal Pressure Balance Tub and Shower

TECK®
COMMERCIAL



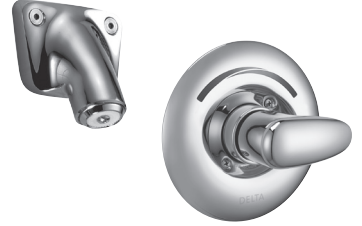
Specification: (example)

- R10000-UNWS** ROUGH-IN only
 - Concealed in-wall MultiChoice® Universal valve
 - Back-to-back capability, Integral screwdriver stops
 - **Heavy Duty forged brass** valve body
 - 1/2" Universal inlets to accept 1/2" copper, 1/2" iron pipe, PEX or CPVC adaptors
 - 1/2" Male thread inlets/outlets
 - Inwall diverter valve
 - T13H** _____ **FINISH TRIM ONLY:**
 - Pressure balancing cartridge with checks
 - Polished chrome plated finish
 - ADA compliant handle
 - Non-removeable red/blue temperature markings
- and ... with ... (add product variation)
 with ... (add shower)
 with ... (add valve handle)

T13H153



T13H162



Engineer/Architect Approval










Model Specified:

Approval:

Date:

TUB AND SHOWER DESCRIPTION	PRODUCT NO.
ROUGH-IN Valve	R10000-UNWS
FINISH TRIM Only	T13H



PRODUCT VARIATION	SHOWER	HANDLE
0 <input type="checkbox"/>	0 Specify "0" When No Shower Outlet Required (1) <input type="checkbox"/>	0 <input type="checkbox"/>
1 Shower Valve Only  <input type="checkbox"/>	1 <input type="checkbox"/>	1 <input type="checkbox"/>
2 Tub and Shower  <input type="checkbox"/>	2 3-Function Touch-Clean® Showerhead, Arm, Set Screw Flange  <input type="checkbox"/>	2 85mm (3.33") Vandal Resistant Metal Lever Handle  <input type="checkbox"/>
3 <input type="checkbox"/>	3 Showerhead, Arm, Set Screw Flange  <input type="checkbox"/>	3 57mm (2.24") Vandal Resistant Lever Blade Handle  <input type="checkbox"/>
4 <input type="checkbox"/>	4 <input type="checkbox"/>	4 <input type="checkbox"/>
5 <input type="checkbox"/>	5 Handshower with 2 Check Valves, 610mm (24") S/S Bar with ADA Slide  <input type="checkbox"/>	5 <input type="checkbox"/>
6 <input type="checkbox"/>	6 30° Vandal Resistant Cast Wallmount Showerhead  <input type="checkbox"/>	6 <input type="checkbox"/>
7 <input type="checkbox"/>	7 <input type="checkbox"/>	7 <input type="checkbox"/>
8 <input type="checkbox"/>	8 H ₂ Okinetic Technology® Showerhead, Arm, Set Screw Flange  <input type="checkbox"/>	8 <input type="checkbox"/>
9 <input type="checkbox"/>	9 <input type="checkbox"/>	9 <input type="checkbox"/>

See **DSP-B-R10000-HDF** for additional Rough-In options.
 1) Valve rated minimum 1.25 gpm @ 45 psi (4.7 L/min @ 310 kPa).

Note: Use this page front and back as a product submittal sheet.
 Refer to www.specselect.com for individual models.

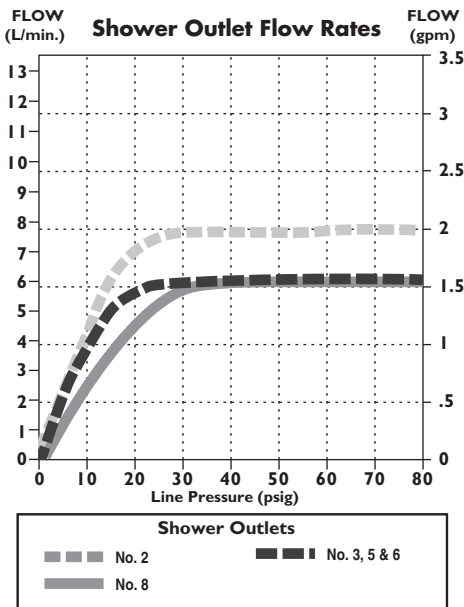
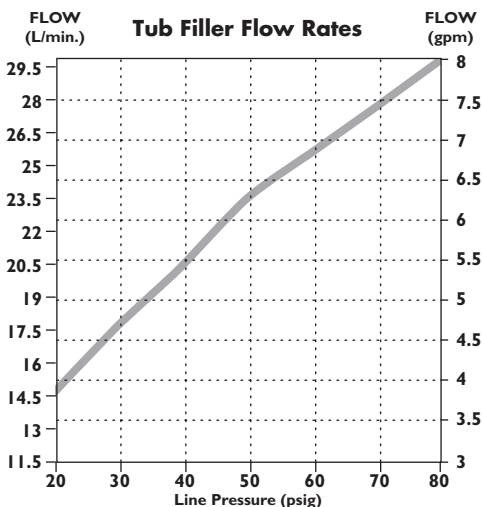
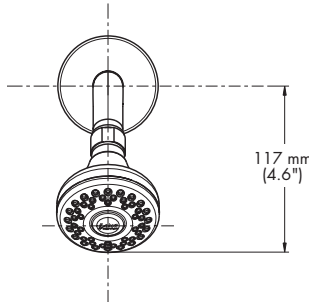
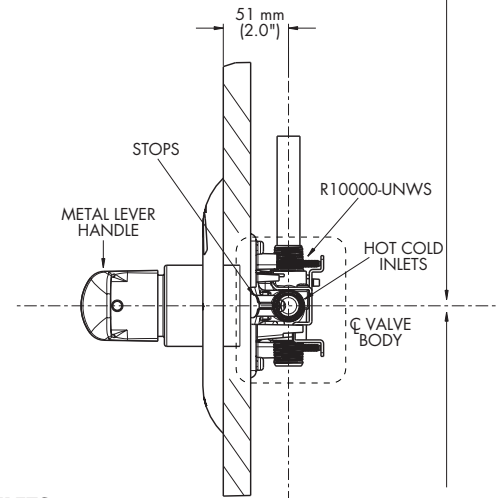
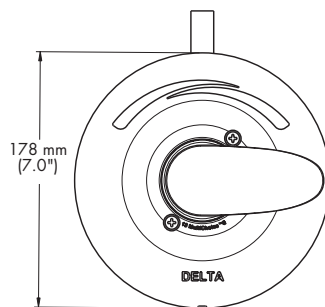
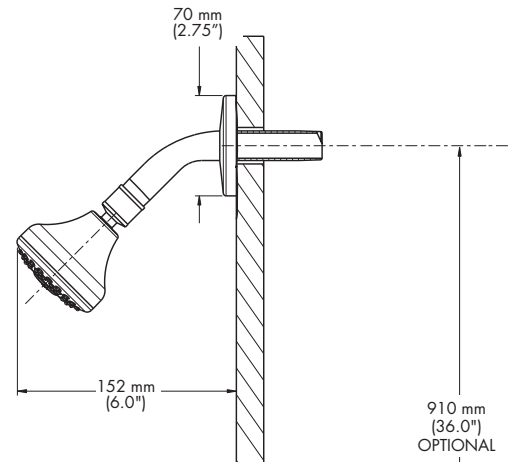
Delta reserves the right (1) to make changes in specifications and materials, and (2) to change or discontinue models, both without notice or obligation. Dimensions are for reference only. See current full-line price book or www.specselect.com for finish options and product availability.

DSP-T13H1 Rev. K

Approvals:

- ASME A112.18.1/CSA B125.1
- Indicates compliance with ICC/ANSI A117.1
- Pressure Balance Valve complies with ASSE 1016
- Handshower back flow protection provided by two integral certified check valves in series, which operate independently, ASME A112.18.3

(Contact Delta Representative for State and/or Local Approvals.)


FLOW RATE vs PRESSURE

FLOW RATE vs PRESSURE

**R10000-UNWS Rough-In
 with
 T13H132 Trim**
FRONT VIEW

SIDE VIEW

P/B VALVE INLETS:

- 1/2" Universal inlets accept 1/2" copper,
- 1/2" Iron pipe, PEX or CPVC adaptors
- 1/2" Male thread inlets/outlets

NOTE FOR SHOWER #6: Not for use as an anti-ligature device.

PAUSE WARNING - FOR SHOWER #5

Plumbing Codes require that showerheads and handshowers provide a small but continuous flow of water (trickle) when in "PAUSE" mode. Because of this continuous flow, in certain circumstances pressure variations in the water line and/or changes in the position of the shower temperature control handle while in "PAUSE" mode could result in dramatic changes to the temperature of the water when the shower head or hand shower is returned to the "ON" position.

ALWAYS point the shower head away from yourself when returning to the "ON" position and feel the water with your hand before resuming your shower to ensure the water flow is not too hot or too cold. DO NOT allow children or others who might not understand this warning to use the "PAUSE" function.

Note: Measurements may vary ± 6mm (0.25")

910 mm
(36.0")
OPTIONAL

910 mm
(36.0")
OPTIONAL

TO FLOOR



T13H Series Tub and Shower Add-On Options

TECK[®]
COMMERCIAL



DESCRIPTION	ADD-ON NUMBER		
T13H Tub/Shower Add-On Options	-		

A number from the Hose and Slide Bar columns must always be selected, even if it is "0".

HOSE		SLIDE BAR	
0	Always use "0" if NO selection is required from this column	<input type="checkbox"/>	<input type="checkbox"/>
1		<input type="checkbox"/>	<input type="checkbox"/>
2	1753 mm (69") Long CP Stainless Steel Hose – Stretches to 92" (2337 mm) (See Note 1)	 <input type="checkbox"/>	<input type="checkbox"/>
3		<input type="checkbox"/>	<input type="checkbox"/>
4		<input type="checkbox"/>	<input type="checkbox"/>
5	914mm (36") S/S Slide Bar (See Note 2)	 <input type="checkbox"/>	<input type="checkbox"/>

Note:

- (1) **Base Product** for the **HOSE, ETC.** option must include **SHOWER** option **No. 5**
- (2) **Base Product** for S/S Slide Bar must include **SHOWER** option **No. 5**