

Push Button Metering Handwash Faucet

TECK[®]
COMMERCIAL



SPECIFICATION: (example)

- **HEAVY-DUTY CAST BRASS** 
- single hole mount faucet
- Polished chrome plated finish
- Vandal-resistant push button
- Delta[®] metering slow close cartridge
- Two body mounted stainless steel Anti-rotation locking pins
- Vandal-resistant non-aerating spray
- **Total flow not to exceed 0.25 gallon per handle activation**

- 87T104** 0.5 gpm (1.9 L/min)
- 87T904** 0.35 gpm (1.32 L/min)




SPECIFICATION: (example)

- **HEAVY-DUTY CAST BRASS** 
- single hole mount faucet
- Polished chrome plated finish
- Vandal-resistant push button
- Delta[®] metering slow close cartridge
- Two body mounted stainless steel Anti-rotation locking pins
- Mixing tee and inlet checks
- Vandal-resistant non-aerating spray
- **Total flow not to exceed 0.25 gallon per handle activation**

- 87T110** 0.5 gpm (1.9 L/min)
- 87T910** 0.35 gpm (1.32 L/min)



SPECIFICATION: (example)

- 86T1104** 
- Single hole mount faucet
- Polished chrome plated finish
- Vandal-resistant push button
- Delta[®] metering slow close cartridge
- Vandal-resistant non-aerating spray, 0.5 gpm (1.9 L/min)
- **Total flow not to exceed 0.25 gallon per handle activation**

- 86T0104**
- Same as 86T1104 but with (86T151) 4" cast brass, polished chrome plated coverplate
- 86T1194**
- Same as 86T1104 but with 0.35 gpm (1.32 L/min) outlet
- 86T0194**
- Same as 86T0104 but with 0.35 gpm (1.32 L/min) outlet

COVERPLATE

SPECIFICATION: (example)

- 87T151** with center faucet hole, two holddown shanks
- **HEAVY DUTY FORGED CAST BRASS**
- 102mm (4") center
- Polished chrome plated finish
- With locating holes for 87T104 to 87T911 metering faucets with anti-rotation locking pins
- **For secure Public Washroom Faucet/Fixture Installations**

Engineer/Architect Approval

Model Specified:

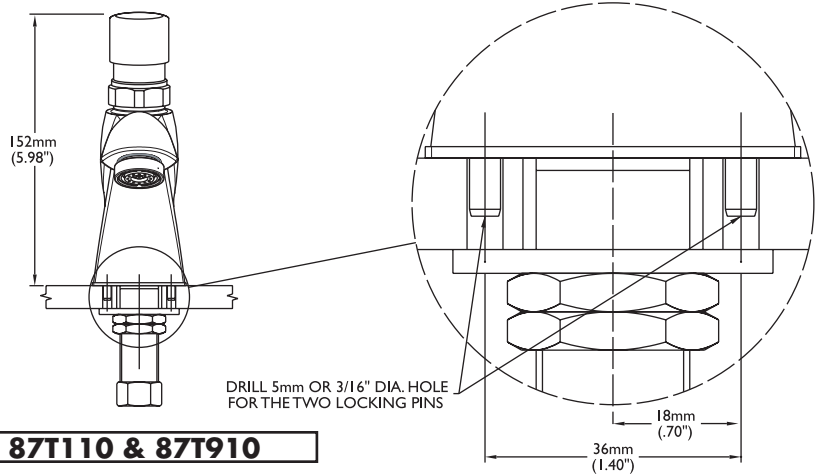
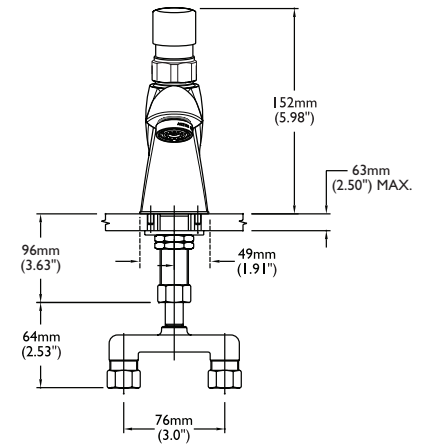
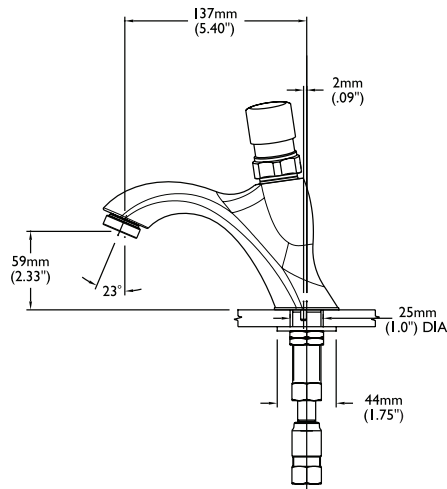
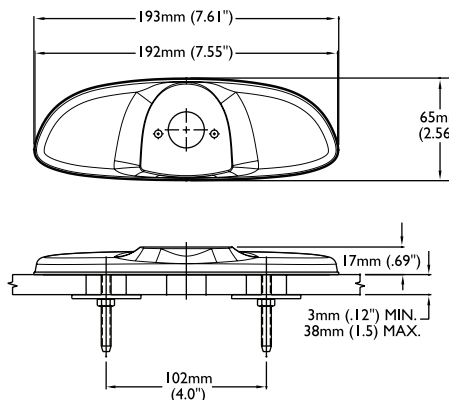
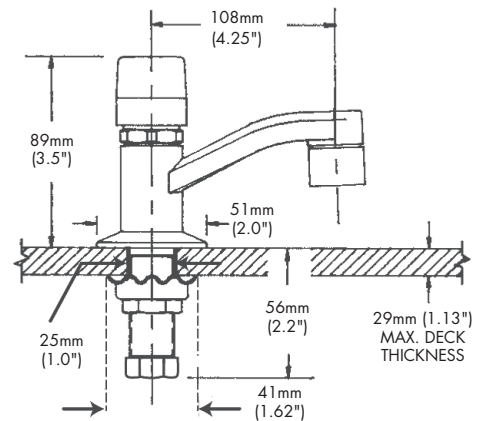
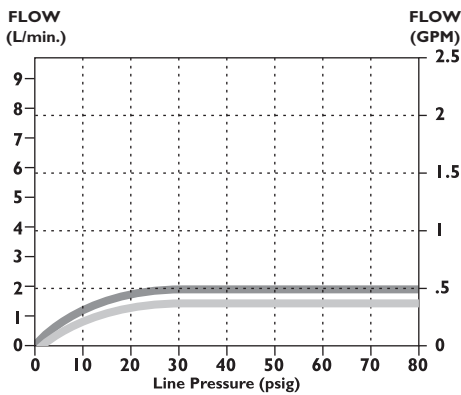
Approval:

Date:

Approvals:

- CSA certified
- Complies to ASME A112.18.1/CSA B125.1
- Indicates compliance to ICC/ANSI A117.1
- Verified compliant with 0.25% weighted average Pb content regulations

(Contact Delta Representative for State and/or Local Approvals.)

87T104 - 87T910 - LOCKING PINS

87T110 & 87T910

87T151

86T1104

FLOW RATE vs PRESSURE

Spout Outlets

- 0.5 gpm (1.9 L/min) Outlet
- - - 0.35 gpm (1.32 L/min) Outlet

INLETS - 1/2" MIP/Coupling Nuts

Note: Measurements may vary \pm 6mm (0.25")

Refer to www.specselect.com for individual models.

Note: Use this page front and back as a product submittal sheet.