

For Residential and Commercial Applications

Job Name		Engineer / Architect	
Job Location		Wholesaler	
Submittal Date		Contractor	

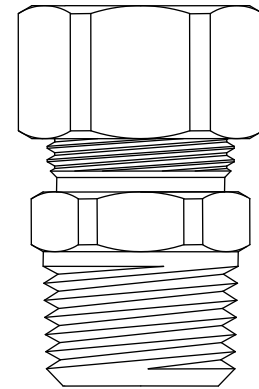
68 Series Compression x Male Iron Pipe Reducing Adapters

Use: For use with potable and non-potable water, instrumentation, hydraulic, and pneumatic systems. Designed for use with aluminum, copper, and plastic* tubing. Not intended for use with steel tubing

* Plastic tubing requires a plastic insert and a sleeve (see 60PT & 63PT submittal forms for details)

Design Features:

- **Little to no tube preparation.** Compression fittings do not require flaring, soldering, or other types of tube preparation
- **Available in a broad range of sizes**
- **No-lead available**



Operating Specifications:

- Temperature:** -65° - 250°F at maximum operating pressures
- Working Pressure:** See chart below
- Vibration:** Fair vibration resistance

WORKING PRESSURE		
PSI	Tube OD	Tube Wall (Inches)
400	1/8	0.030
400	3/16	0.030
300	1/4	0.030
300	5/16	0.032
200	3/8	0.032
200	1/2	0.032
150	5/8	0.035
100	3/4	0.035
75	7/8	0.035

Standard Product

FITTING MATERIAL SPECIFICATIONS	
Body	Brass
Compression Sleeve	Brass
Compression Nut	Brass
Option	Chrome plating

Standard Part Listing:

- 68-3-2 3/16" OD tube x 1/8" MIP
- 68-3-2-1 B 3/16" OD tube x 1/8" MIP - body only, bulk
- 68-3-4 3/16" OD tube x 1/4" MIP
- 68-3-4-1 B 3/16" OD tube x 1/4" MIP- body only, bulk
- 68-4-2 1/4" OD tube x 1/8" MIP

This specification and all information contained herein is the confidential and exclusive property of BrassCraft Manufacturing, and shall not be disclosed to others without the written consent of BrassCraft Mfg. This specification must be returned to BrassCraft Mfg. if requested.



68 Series Compression x Male Iron Pipe Reducing Adapters

Standard Part Listing (con't):

<input type="checkbox"/>	68-4-2 B	1/4" OD tube x 1/8" MIP, bulk
<input type="checkbox"/>	68-4-2-1 B	1/4" OD tube x 1/8" MIP - body only, bulk
<input type="checkbox"/>	68-4-6	1/4" OD tube x 3/8" MIP
<input type="checkbox"/>	68-4-6 B	1/4" OD tube x 3/8" MIP, bulk
<input type="checkbox"/>	68-4-6-1 B	1/4" OD tube x 3/8" MIP - body only, bulk
<input type="checkbox"/>	68-4-8	1/4" OD tube x 1/2" MIP
<input type="checkbox"/>	68-4-8 B	1/4" OD tube x 1/2" MIP, bulk
<input type="checkbox"/>	68-4-8-1 B	1/4" OD tube x 1/2" MIP - body only, bulk
<input type="checkbox"/>	68-5-2	5/16" OD tube x 1/8" MIP
<input type="checkbox"/>	68-5-2 B	5/16" OD tube x 1/8" MIP, bulk
<input type="checkbox"/>	68-5-2-1 B	5/16" OD tube x 1/8" MIP - body only, bulk
<input type="checkbox"/>	68-5-4	5/16" OD tube x 1/4" MIP
<input type="checkbox"/>	68-5-4 B	5/16" OD tube x 1/4" MIP, bulk
<input type="checkbox"/>	68-5-4-1 B	5/16" OD tube x 1/4" MIP - body only, bulk
<input type="checkbox"/>	68-5-6	5/16" OD tube x 3/8" MIP
<input type="checkbox"/>	68-5-6-1 B	5/16" OD tube x 3/8" MIP - body only, bulk
<input type="checkbox"/>	68-6-2	3/8" OD tube x 1/8" MIP
<input type="checkbox"/>	68-6-2 B	3/8" OD tube x 1/8" MIP, bulk
<input type="checkbox"/>	68-6-2-1 B	3/8" OD tube x 1/8" MIP - body only, bulk
<input type="checkbox"/>	68-6-4	3/8" OD tube x 1/4" MIP
<input type="checkbox"/>	68-6-4 B	3/8" OD tube x 1/4" MIP, bulk
<input type="checkbox"/>	68-6-4 C	3/8" OD tube x 1/4" MIP, chrome plated
<input type="checkbox"/>	68-6-4-1 B	3/8" OD tube x 1/4" MIP - body only, bulk
<input type="checkbox"/>	68-6-8	3/8" OD tube x 1/2" MIP
<input type="checkbox"/>	68-6-8 B	3/8" OD tube x 1/2" MIP, bulk
<input type="checkbox"/>	68-6-8 C	3/8" OD tube x 1/2" MIP, chrome plated
<input type="checkbox"/>	68-6-8-1 B	3/8" OD tube x 1/2" MIP - body only, bulk
<input type="checkbox"/>	68-6-12	3/8" OD tube x 3/4" MIP
<input type="checkbox"/>	68-6-12-1 B	3/8" OD tube x 3/4" MIP - body only, bulk
<input type="checkbox"/>	68-7-4	7/16" OD tube x 1/4" MIP
<input type="checkbox"/>	68-7-4-1 B	7/16" OD tube x 1/4" MIP - body only, bulk
<input type="checkbox"/>	68-7-6-1 B	7/16" OD tube x 3/8" MIP - body only, bulk
<input type="checkbox"/>	68-8-4	1/2" OD tube x 1/4" MIP
<input type="checkbox"/>	68-8-4-1 B	1/2" OD tube x 1/4" MIP - body only, bulk
<input type="checkbox"/>	68-8-6	1/2" OD tube x 3/8" MIP
<input type="checkbox"/>	68-8-6 B	1/2" OD tube x 3/8" MIP, bulk
<input type="checkbox"/>	68-8-6-1 B	1/2" OD tube x 3/8" MIP - body only, bulk
<input type="checkbox"/>	68-8-12	1/2" OD tube x 3/4" MIP
<input type="checkbox"/>	68-8-12-1 B	1/2" OD tube x 3/4" MIP - body only, bulk
<input type="checkbox"/>	68-10-6	5/8" OD tube x 3/8" MIP
<input type="checkbox"/>	68-10-6 B	5/8" OD tube x 3/8" MIP, bulk
<input type="checkbox"/>	68-10-6 CB	5/8" OD tube x 3/8" MIP, chrome plated, bulk
<input type="checkbox"/>	68-10-6-1 B	5/8" OD tube x 3/8" MIP - body only, bulk
<input type="checkbox"/>	68-10-8	5/8" OD tube x 1/2" MIP
<input type="checkbox"/>	68-10-8 B	5/8" OD tube x 1/2" MIP, bulk

This specification and all information contained herein is the confidential and exclusive property of BrassCraft Manufacturing, and shall not be disclosed to others without the written consent of BrassCraft Mfg. This specification must be returned to BrassCraft Mfg. if requested.

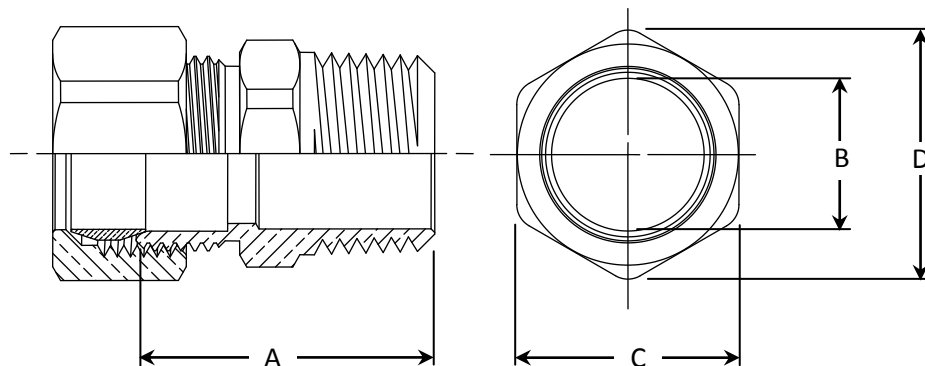
BrassCraft[®]

68 Series Compression x Male Iron Pipe Reducing Adapters

Standard Part Listing (con't):

- 68-10-8 C 5/8" OD tube x 1/2" MIP, chrome plated
- 68-10-8-1 B 5/8" OD tube x 1/2" MIP - body only, bulk
- 68-10-8-1 CB 5/8" OD tube x 1/2" MIP - body only, chrome plated, bulk
- 68-10-12 5/8" OD tube x 3/4" MIP
- 68-10-12 B 5/8" OD tube x 3/4" MIP, bulk
- 68-10-12-1 B 5/8" OD tube x 3/4" MIP - body only, bulk
- 68-12-8 3/4" OD tube x 1/2" MIP
- 68-12-8-1 B 3/4" OD tube x 1/2" MIP - body only, bulk
- 68-14-8 7/8" OD tube x 1/2" MIP
- 68-14-8-1 B 7/8" OD tube x 1/2" MIP - body only, bulk
- 68-14-12 7/8" OD tube x 3/4" MIP
- 68-14-12 B 7/8" OD tube x 3/4" MIP, bulk
- 68-14-12-1 B 7/8" OD tube x 3/4" MIP - body only, bulk
- 68-14-16 7/8" OD tube x 1" MIP
- 68-14-16-1 B 7/8" OD tube x 1" MIP - body only, bulk

PART DIMENSIONS (Inches)				
Model	DIM. A	DIA. B	HEX. C	DIM. D
68-3-2	.81	.12	7/16	.49
68-3-4	.94	.12	9/16	.63
68-4-2	.84	.19	7/16	.49
68-4-6	1.03	.18	11/16	.77
68-4-8	1.25	.18	7/8	.98
68-5-2	.89	.25	1/2	.56
68-5-4	1.09	.25	9/16	.63
68-5-6	1.06	.25	11/16	.77
68-6-2	.94	.25	9/16	.63
68-6-4	1.03	.31	9/16	.63
68-6-8	1.16	.31	27/32	.94
68-6-12	1.03	.34	1-1/16	1.16
68-7-4	1.17	.31	5/8	.70
68-7-6	1.11	.31	11/16	.77
68-8-4	1.08	.31	11/16	.77
68-8-6	1.06	.46	11/16	.77
68-8-12	1.38	.46	1-1/16	1.16
68-10-6	1.22	.46	13/16	.91
68-10-8	1.24	.53	27/32	.94
68-10-12	1.38	.59	1-1/16	1.16
68-12-8	1.60	.56	1	1.12
68-14-8	1.38	.56	1-1/8	1.26
68-14-12	1.38	.75	1-1/8	1.26
68-14-16	1.42	.79	1-11/32	1.48



This specification and all information contained herein is the confidential and exclusive property of BrassCraft Manufacturing, and shall not be disclosed to others without the written consent of BrassCraft Mfg. This specification must be returned to BrassCraft Mfg. if requested.

BrassCraft®