



BRADFORD WHITE[®]
W A T E R H E A T E R S

REPLACEMENT PARTS LIST

**Residential & Light Duty Commercial Gas
Atmospheric Vent High Input Models**

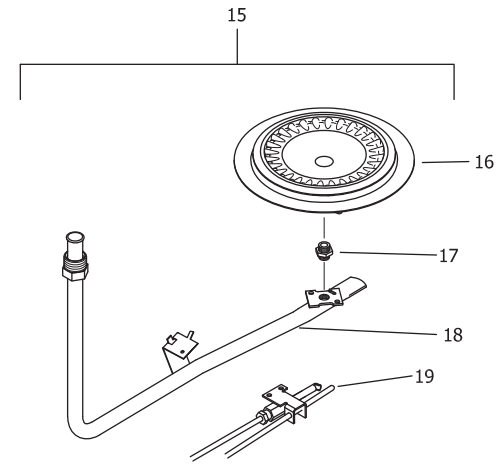
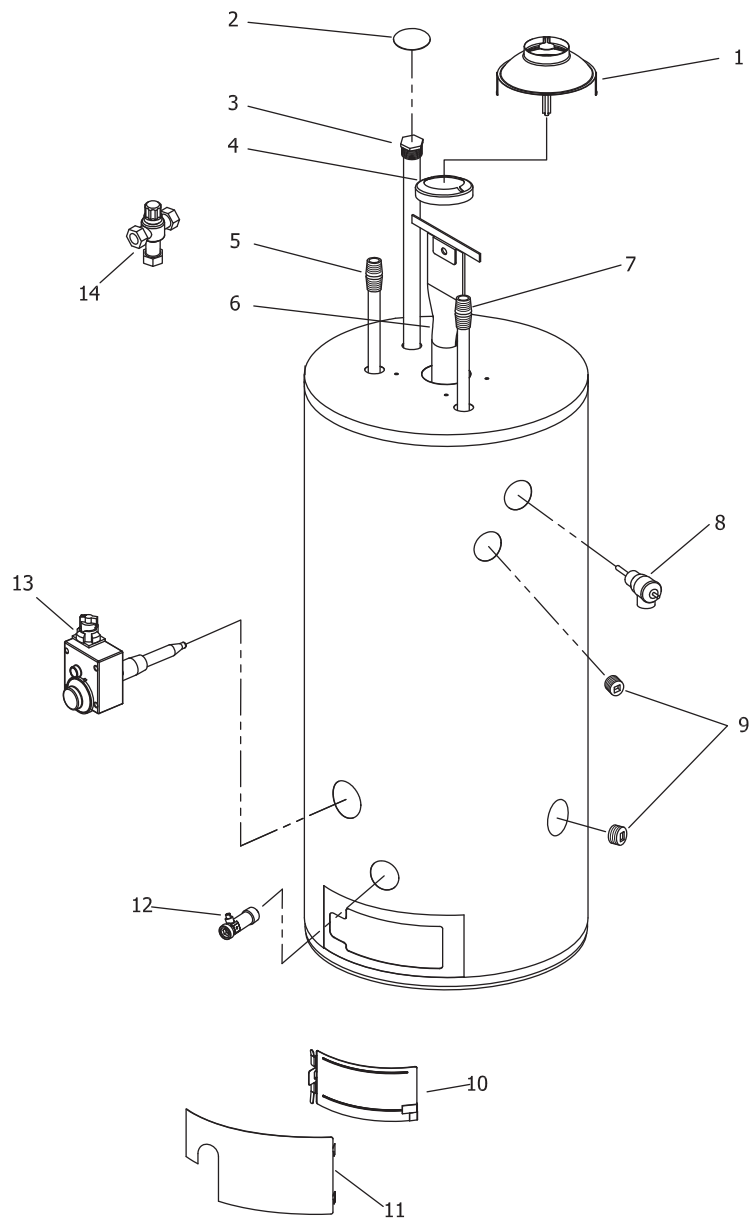


Includes Hydrojet[®]
Total Performance System

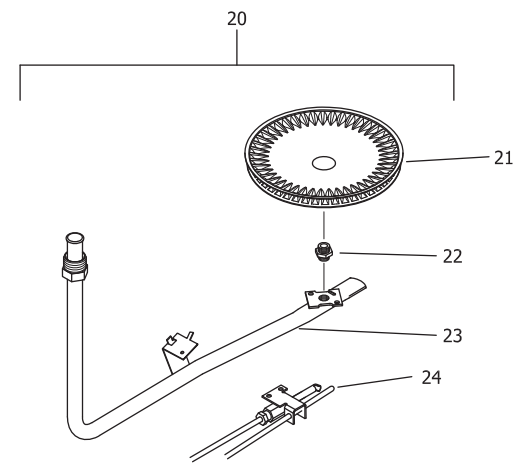
***Effective: May, 2015
ECO 7950***

**NOTE: BOTH MODEL AND SERIAL
NUMBERS ARE REQUIRED FOR
ORDERING REPLACEMENT PARTS**

Dimensions and specifications
subject to change without notice.



NATURAL GAS BURNER ASSEMBLY

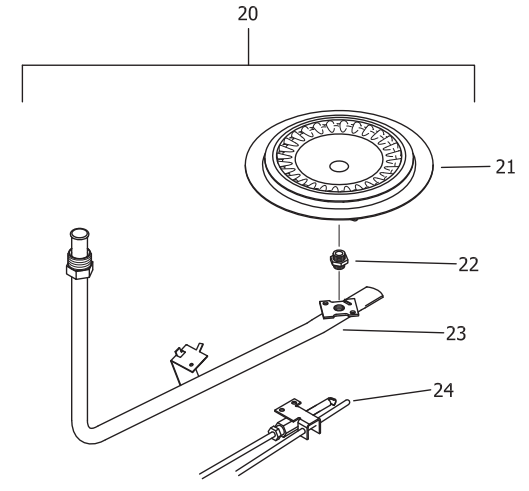
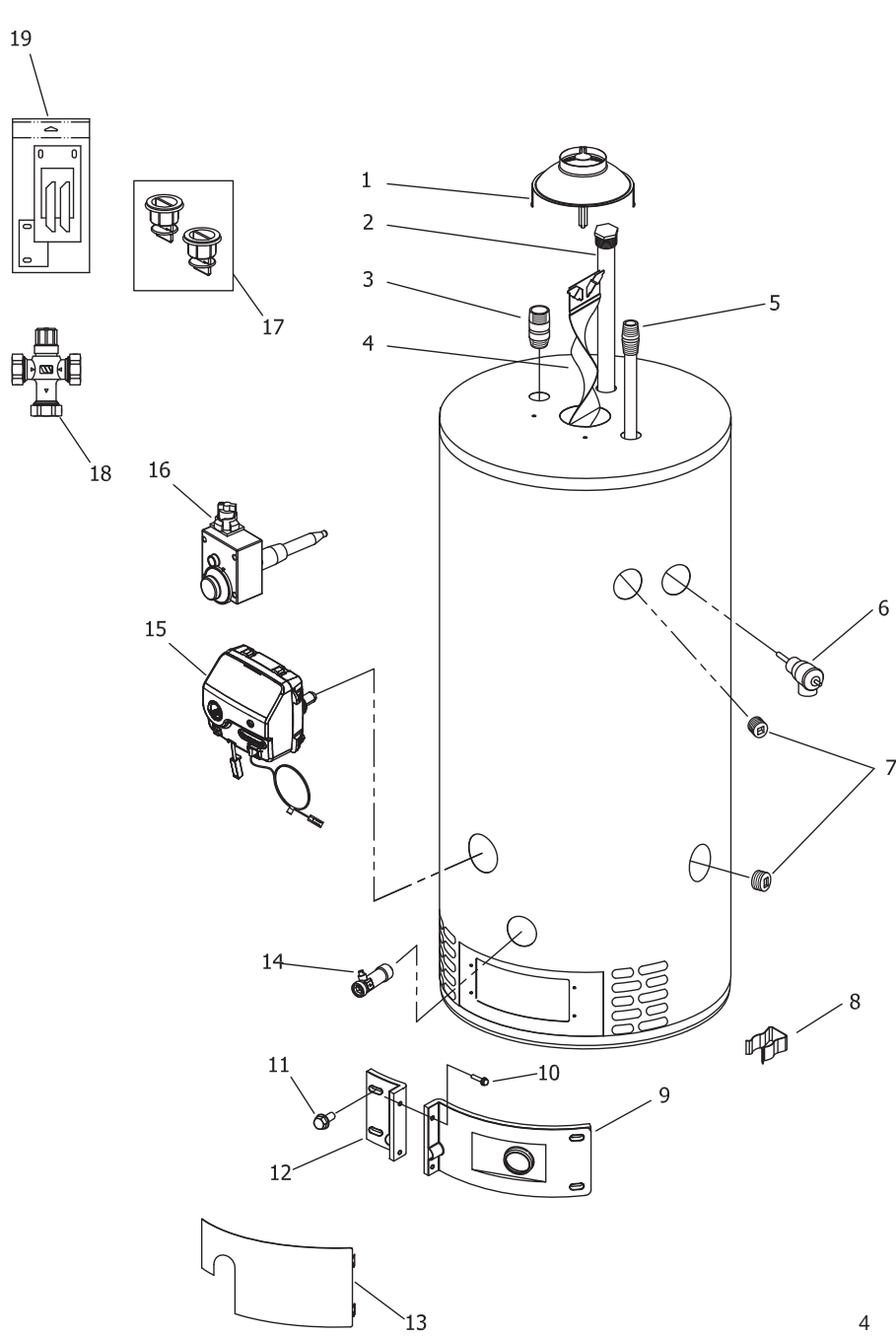


LP GAS BURNER ASSEMBLY

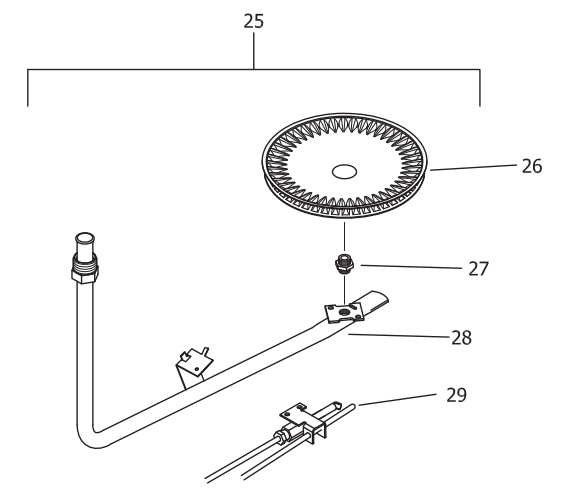
Item	Description	Model	Model
		RG155H*(N,X)	LG155H80*(N,X)
1	Draft Diverter	239-33081-02-20-15	239-33081-02-20-15
2	Hole Closure	239-31547-02	239-31547-02
3	Hex head Sacrificial Anode (Magnesium) #	224-47782-08	224-47782-08
	Hex head Sacrificial Anode (Aluminum) #	224-47783-08	224-47783-08
	Hex head Sacrificial Anode (A420 Aluminum) #	224-49559-04	224-49559-04
4	Flue Reducer	243-42572-00	243-42572-00
5	Hot Water Outlet Anode (Magnesium) #	224-47776-19	224-47776-19
	Hot Water Outlet Anode (Aluminum) #	224-32999-42	224-32999-42
	Hot Water Outlet Anode (A420 Aluminum) #	224-49560-08	224-49560-08
6	Flue Core	239-45676-00	239-45676-00
7	Cold Water Inlet Dip Tube (Polysulfone)	229-45092-02	229-45092-02
8	T&P Relief Valve	230-40594-02	230-40594-02
9	3/4 NPT Pipe Plug	239-11638-00	239-11638-00
10	Inner Door Assembly	243-46049-00	243-46049-00
11	Outer Door	243-41061-00	243-41061-00
12	Brass Drain Valve	265-42351-02	265-42351-02
13	Gas Control Direct Replacement (Natural Gas)	265-47444-01	265-47444-01
	Gas Control Direct Replacement (LP Gas)	265-47445-01	265-47445-01
14	ASSE Approved Mixing Valve (Optional)	239-43740-01	239-43740-01
<u>Natural Gas Burner Assembly</u>			
15	Nat Gas Burner Assembly Complete***	265-46004-03-20	265-46004-03-20
16	Nat. Gas Burner	228-42506-00	228-42506-00
17	Nat. Gas Main Burner Orifice 0 Ft. to 2,000 Ft.	234-41034-20	234-41034-20
	Nat. Gas High Altitude 0 Ft. to 7000 Ft. (-475 model suffixes)	234-41034-26	234-41034-26
	Nat. Gas High Altitude Kit 7,001 Ft. to 10,000 Ft.	265-51311-02-29	265-51311-02-29
18	Feedline **	233-43660-15	233-43660-15
19	Nat. Gas Pilot Assembly	233-40248-08	233-40248-08
<u>LP Gas Burner Assembly</u>			
20	LP Gas Burner Assembly Complete***	265-47037-03-38	265-47037-03-38
21	LP Gas Burner	228-46938-00	228-46938-00
22	LP Gas Main Burner Orifice 0 Ft. to 2,000 Ft.	234-47064-38	234-47064-38
	LP Gas High Altitude Orifice 0 Ft. to 7,000 Ft. (-475 model suffixes)	234-47064-42	234-47064-42
	LP Gas High Altitude Kit 7,001 Ft. to 10,000 Ft.	265-51311-02-29	265-51311-02-29
23	Feedline	233-46939-02	233-46939-02
24	LP Gas Pilot Assembly	233-40261-03	233-40261-03

*Applies to all warranties

***Ordering a complete burner assembly may increase delivery time. # Anode may need to be cut to length
Please order the specific component required for the quickest delivery.



NATURAL GAS BURNER ASSEMBLY



LP GAS BURNER ASSEMBLY

Item	Description	Model	Model	Model	Model
		RG275H*(N,X)	LG275H76*(N,X)	RG275H*(N,X)-500	LG275H76*(N,X)-500
1	Draft Diverter	239-12950-00	239-12950-00	239-12950-00	239-12950-00
2	Hex head Sacrificial Anode (Magnesium) #	224-47782-08	224-47782-08	224-47782-08	224-47782-08
	Hex head Sacrificial Anode (Aluminum) #	224-47783-08	224-47783-08	224-47783-08	224-47783-08
	Hex head Sacrificial Anode (A420 Aluminum) #	224-49559-04	224-49559-04	224-49559-04	224-49559-04
3	Outlet Nipple	229-50053-02	229-50053-02	229-50053-02	229-50053-02
4	Flue Baffle	243-47379-00	243-47379-00	243-47379-00	243-47379-00
5	Cold Water Inlet Dip Tube (Polysulfone)	229-47040-01	229-47040-01	229-47040-01	229-47040-01
6	T&P Relief Valve	230-40594-02	230-40594-02	230-40594-02	230-40594-02
7	3/4 NPT Pipe Plug	239-11638-00	239-11638-00	239-11638-00	239-11638-00
8	Feedline Clip	239-47475-00	239-47475-00	239-47475-00	239-47475-00
9	Right Side Inner Door Complete	239-47504-22	239-47504-22	239-47504-22	239-47504-22
10	Screw-#8-18 x 3/4 HWH	239-44195-00	239-44195-00	239-44195-00	239-44195-00
11	Screw-#10-12 x 3/4 HWH	239-44113-00	239-44113-00	239-44113-00	239-44113-00
12	Left Side Inner Door Complete	239-43968-20	239-43968-20	239-43968-20	239-43968-20
13	Outer Door	243-43962-00	243-43962-00	243-43962-00	243-43962-00
14	Brass Drain Valve	265-42351-02	265-42351-02	265-42351-02	265-42351-02
15	Honeywell Gas Control Direct Replacement (Natural Gas)	239-47463-02	239-47464-02	---	---
	Honeywell Gas Control Direct Replacement (LP Gas)	239-47465-02	239-47466-02	---	---
16	White Rodgers Gas Control Direct Replacement (Natural Gas)	---	---	265-40251-03	265-46365-02
	White Rodgers Gas Control Direct Replacement (LP Gas)	---	---	265-40258-03	265-46366-02
17	Kit-Heat Trap Insert	239-51572-00	239-51572-00	239-51572-00	239-51572-00
18	ASSE Approved Mixing Valve (Optional)	239-43740-01	239-43740-01	239-43740-01	239-43740-01
19	Inner Door Gasket Kit	239-47792-00	239-47792-00	239-47792-00	239-47792-00
Natural Gas Burner Assembly					
20	Nat Gas Burner Assembly Complete***	265-48110-05-22	243-48037-05-32	265-47767-02-22	265-47767-02-22
21	Nat. Gas Burner **	228-47000-00	243-48110-05	228-47000-00	228-47000-00
22	Nat. Gas Main Burner Orifice 0 Ft. to 2,000 Ft.**	234-41034-22	234-41034-22	234-41034-22	234-41034-22
	Nat. Gas High Altitude 0 Ft. to 7000 Ft. (-475 model suffixes) **	234-41034-27	234-41034-27	234-41034-27	234-41034-27
	Nat. Gas High Altitude Kit 7,001 Ft. to 10,000 Ft.	265-51311-29	265-51311-29	265-51311-29	265-51311-29
23	Feedline **	233-48095-04	233-48095-04	233-48095-04	233-48095-04
24	Nat. Gas Pilot Assembly **	233-48077-03	233-48077-03	233-41062-03	233-41062-03
LP Gas Burner Assembly					
25	LP Gas Burner Assembly Complete***	265-48254-02-38	265-48254-02-38	265-47768-02-38	265-47768-02-38
26	LP Gas Burner **	228-46938-00	228-46938-00	228-46938-00	228-46938-00
27	LP Gas Main Burner Orifice 0 Ft. to 2,000 Ft.**	234-47064-38	234-47064-38	234-47064-38	234-47064-38
	LP Gas High Altitude 0 Ft. to 7,000 Ft. (-475 model suffixes) **	234-47064-42	234-47064-42	234-47064-42	234-47064-42
	LP Gas High Altitude Kit 7,001 Ft. to 10,000 Ft.	265-51311-01-29	265-51311-01-29	---	---
28	Feedline **	233-47677-04	233-47677-04	233-47677-04	233-47677-04
29	LP Gas Pilot Assembly **	233-48078-03	233-48078-03	233-41062-03	233-41062-03

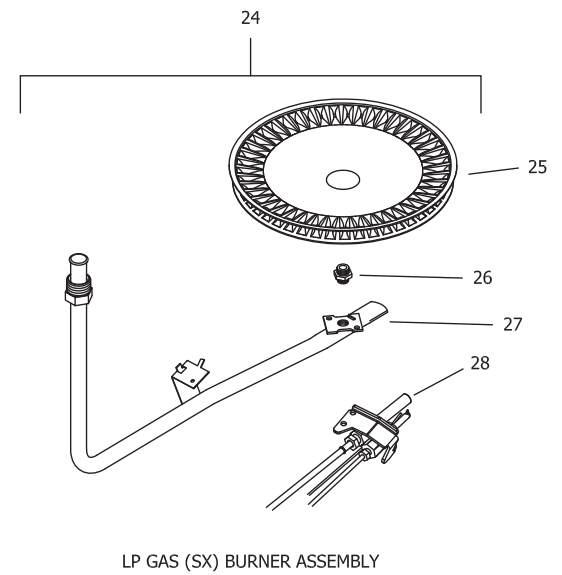
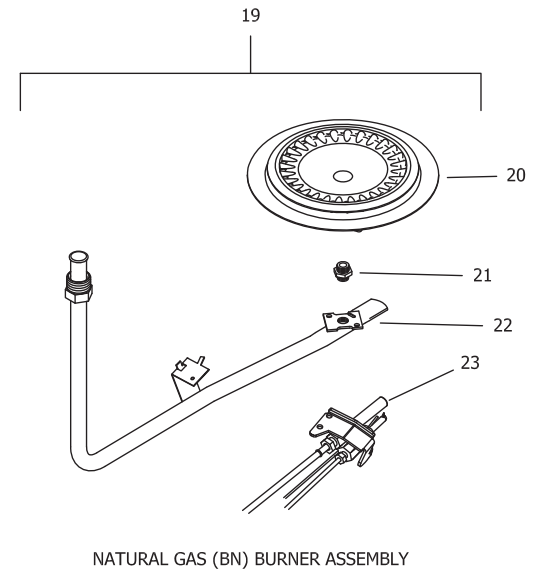
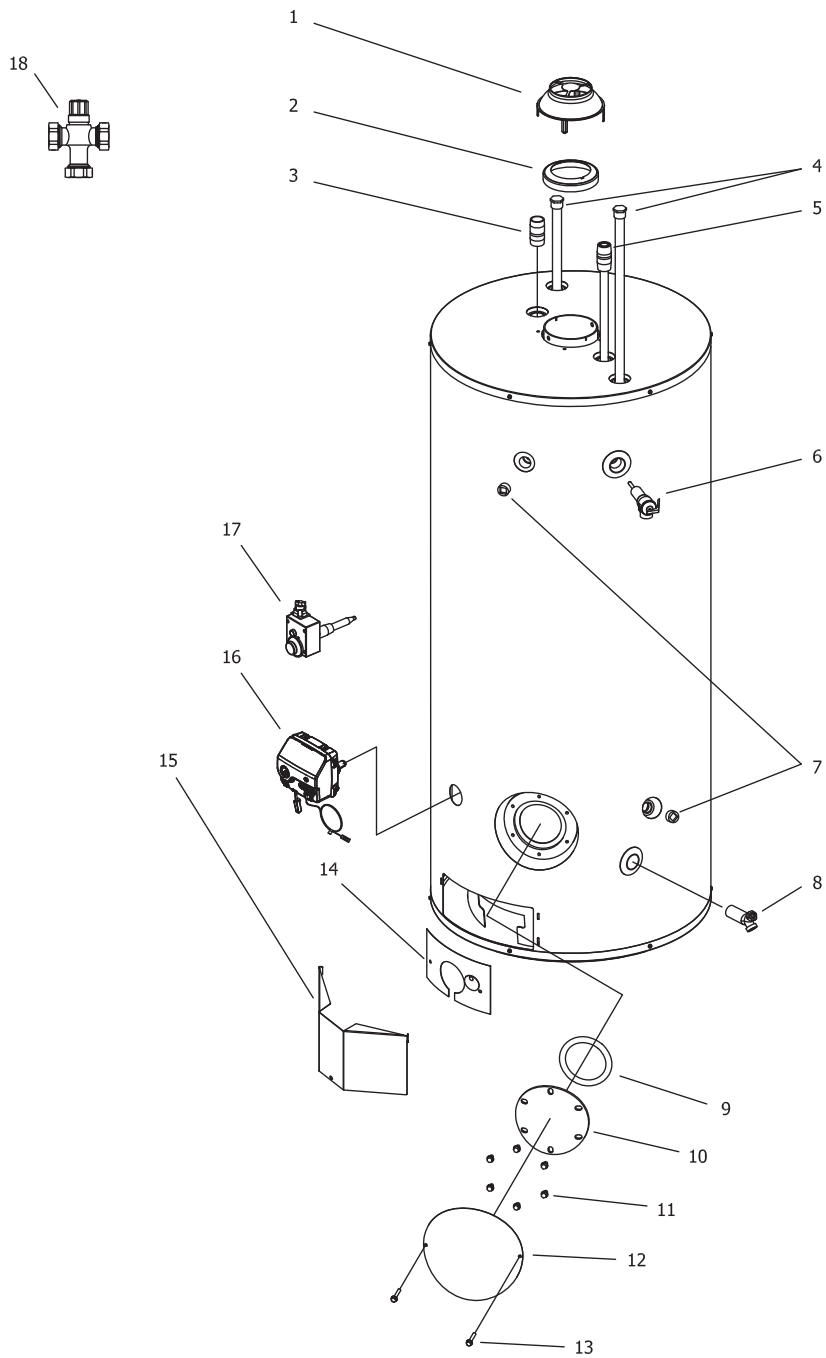
*Applies to all warranties

** Inner Door Gasket Kit Recommended

***Ordering a complete burner assembly may increase delivery time.
Please order the specific component required for the quickest delivery.

Anode may need to be cut to length





Item	Description	Model	Model	Model	Model
		RG2100H*(N,X)	LG2100H*85(N,X)	RG2100H*(N,X)-500	LG2100H*85(N,X)-500
1	Draft Diverter	239-33081-01-20-16	239-33081-01-20-16	239-33081-01-20-16	239-33081-01-20-16
2	Flue Reducer	243-36920-00	243-36920-00	243-36920-00	243-36920-00
3	Outlet Nipple	229-40913-03	229-40913-03	229-40913-03	229-40913-03
4	Hex head Sacrificial Anode (x2) (Magnesium) #	224-47782-08	224-47782-08	224-47782-08	224-47782-08
	Hex head Sacrificial Anode (x2) (Aluminum) #	224-47783-08	224-47783-08	224-47783-08	224-47783-08
	Hex head Sacrificial Anode (x2) (A420 Aluminum) #	224-49559-04	224-49559-04	224-49559-04	224-49559-04
5	Cold Water Inlet Dip Tube (Polysulfone)	229-46993-01	229-46993-01	229-46993-01	229-46993-01
6	T&P Relief Valve	230-40594-02	230-40594-02	230-40594-02	230-40594-02
7	3/4 NPT Pipe Plug	239-11638-00	239-11638-00	239-11638-00	239-11638-00
8	Brass Drain Valve	265-42351-02	265-42351-02	265-42351-02	265-42351-02
9	Cleanout O-Ring Gasket	205-18427-00	205-18427-00	205-18427-00	205-18427-00
10	Cleanout Cover	205-18428-00	205-18428-00	205-18428-00	205-18428-00
11	Cleanout Screw	239-82166-00	239-82166-00	239-82166-00	239-82166-00
12	Cleanout Jacket Cover	243-20299-00	243-20299-00	243-20299-00	243-20299-00
13	Cleanout Jacket Cover Screw	239-43251-00	239-43251-00	239-43251-00	239-43251-00
14	Inner Door Complete	243-39207-00	243-39207-00	243-39207-00	243-39207-00
15	Outer Door	243-37177-00	243-37177-00	243-37177-00	243-37177-00
16	Honeywell Gas Control Direct Replacement (Natural Gas)	239-47463-02	239-47464-02	---	---
	Honeywell Gas Control Direct Replacement (LP Gas)	239-47465-02	239-47466-02	---	---
17	White Rodgers Gas Control Direct Replacement (Natural Gas)	---	---	265-40251-07	265-46365-04
	White Rodgers Gas Control Direct Replacement (LP Gas)	---	---	265-40258-06	265-46366-03
18	ASSE Approved Mixing Valve (Optional)	239-43740-01	239-43740-01	239-43740-01	239-43740-01
<u>Natural Gas Burner Assembly</u>					
19	Nat Gas Burner Assembly Complete***	265-48252-01-20	265-48252-01-20	265-48252-01-20	265-43979-01-20
20	Nat. Gas Burner **	228-42506-00	228-42506-00	228-42506-00	228-42506-00
21	Nat. Gas Main Burner Orifice 0 Ft. to 2,000 Ft.**	234-41034-20	234-41034-20	234-41034-20	234-41034-20
	Nat. Gas High Altitude 0 Ft. to 7000 Ft. (-475 model suffixes) **	234-41034-26	234-41034-26	234-41034-26	234-41034-26
	Nat. Gas High Altitude Kit 7,001 Ft. to 10,000 Ft.	265-51311-03-29	265-51311-03-29	---	---
22	Feedline **	233-48209-01	233-48209-01	233-48209-01	233-48209-01
23	Nat. Gas Pilot Assembly **	233-48077-03	233-48077-03	233-40248-05	233-40248-05
<u>LP Gas Burner Assembly</u>					
24	LP Gas Burner Assembly Complete***	265-48255-01-35	265-48255-01-35	265-47013-01-35	265-48252-01-35
25	LP Gas Burner **	228-46938-00	228-46938-00	228-46938-00	228-46938-00
26	LP Gas Main Burner Orifice 0 Ft. to 2,000 Ft.**	234-47064-35	234-47064-35	234-47064-35	234-47064-35
	LP Gas High Altitude 0 Ft. to 7,000 Ft. (-475 model suffixes) **	234-47064-39	234-47064-39	234-47064-39	234-47064-39
	LP Gas High Altitude Kit 7,001 Ft. to 10,000 Ft.	265-51367-01-42	265-51367-01-42	---	---
27	Feedline **	233-47065-02	233-47065-02	233-47065-02	233-47065-02
26	LP Gas Pilot Assembly **	233-48078-03	233-48078-03	233-40261-03	233-40261-03

*Applies to all warranties

** Inner Door Gasket Kit Recommended

***Ordering a complete burner assembly may increase delivery time.
Please order the specific component required for the quickest delivery.

Anode may need to be cut to length





BRADFORD WHITE®

W A T E R H E A T E R S

Ambler, PA

For U.S. and Canada field service,
contact your professional installer or
local Bradford White sales representative.

Sales/800-523-2931
Fax/215-641-1670
Parts Fax/215-641-2180

Technical Support/800-334-3393
Fax/269-795-1089

Warranty/800-531-2111
Fax/269-795-1089

International:
Telephone/215-641-9400
Telefax/215-641-9750



BRADFORD WHITE-CANADA® INC.

Mississauga, ON

Sales/866-690-0961
905-238-0100

Fax/905-238-0105

Technical Support/800-334-3393

Email

parts@bradfordwhite.com
techserv@bradfordwhite.com

www.bradfordwhite.com