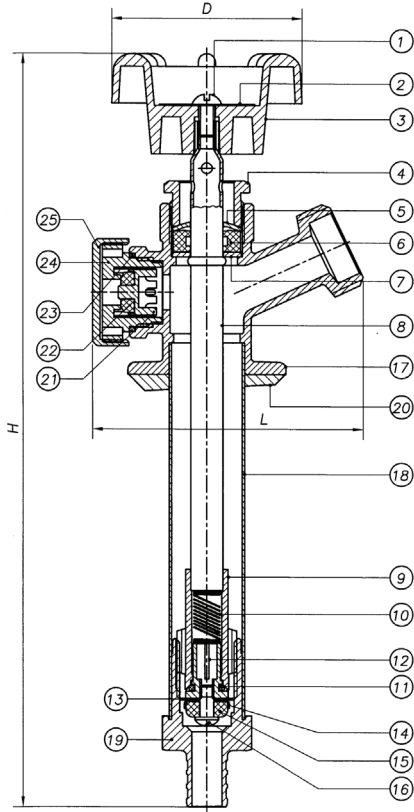


# SUBMITTAL DATA SHEET

## No-Lead Frostproof Sillcock Sillcock w/Integral Vacuum Breaker - Antisiphon - 72011P



A.Y. McDonald Mfg. Co. No-Lead Frostproof Sillcocks provide a year round source of water to areas of structures that are subject to freezing temperatures. The hydrant valve is connected to supply piping in the heated portion of the structure, eliminating the possibility of freezing.



### Dimensions

Size	D	H	L
1/2" x 4"	2.20	8.62	3.07
1/2" x 6"	2.20	10.63	3.07
1/2" x 8"	2.20	12.64	3.07
1/2" x 10"	2.20	14.65	3.07
1/2" x 12"	2.20	16.69	3.07

### Materials

No.	Part	Material
1	Handle Bolt	No-Lead Brass
2	Name Plate	Aluminium
3	Handwheel	Zinc
4	Bonnet	No-Lead Brass
5	Washer	Stainless Steel
6	Packing	Rubber (NBR)
7	Washer	Stainless Steel
8	Stem Pipe	No-Lead Brass (Copper Alloy)
9	Stem	No-Lead Brass
10	Spring	Stainless Steel
11	O-ring	Rubber (NBR)
12	Spring Seat	No-Lead Brass
13	Flapper	Rubber (NBR)
14	Seat Holder	No-Lead Brass
15	Seat Packing	Rubber (NBR)
16	Seat Screw	No-Lead Brass
17	Body	No-Lead Brass
18	Pipe Flow	No-Lead Brass (Copper Alloy)
19	Nipple	No-Lead Brass
20	Flange Packing	Formocon
21	Floating	Formocon
22	Floating Packing	Rubber (NBR)
23	O-ring	Rubber (NBR)
24	Bolt Packing	Formocon
25	Cap	No-Lead Brass

### SUBMITTAL INFORMATION

- Inlet: 1/2" Pex x G.H.T.
- Outlet: Hose Thread
- Lengths: 4", 6", 8", 10", 12"
- 125 PSI
- Chrome Plated Body
- Complies with NSF / ANSI 372-2010

**NO-LEAD:** The weighted average of the wetted surface of this no-lead product contacted by consumable water contains less than one quarter of one percent (0.25%) lead.



A.Y. McDonald Mfg. Co.  
P.O. Box 508  
Dubuque, IA 52004-0508

Toll Free: 1-800-292-2737  
Fax: 1-800-832-9296  
Hours: 7:00 a.m. - 5:00 p.m., CST

sales@aymcdonald.com  
www.aymcdonald.com

A.Y. McDonald considers the information on this assembly drawing correct when published. Item and option availability, including specifications, are subject to change without notice.

Submitted by: